

METALLIC GASKET RING TYPE JOINTS (RTJ)

COMPOSITION:



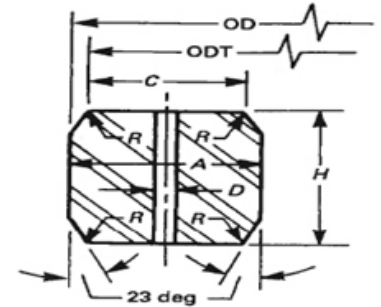
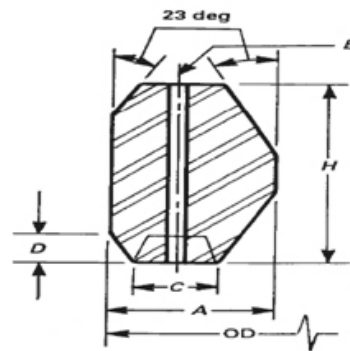
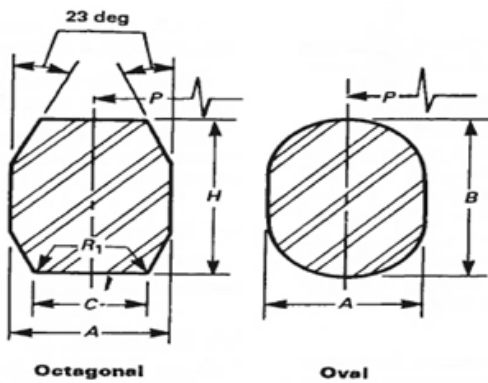
The RTJ metallic gaskets MONTERO BELPAFLEX are solid metallic gaskets for use at high pressures (up to 1500 bar.) and high temperatures in applications as Petroleum and offshore, valves and pipelines and pressure vessel joints.

The RTJ metallic gaskets are manufactured without welding and complied with ASME 16.20 & API 6 A.

The RTJ metallic gaskets should be selected depending on the working conditions.

TYPES OF METALLIC GASKET RTJ

SHAPE R	SHAPE RX	SHAPE BX
OVALS / OCTAGONALS	Max. 700 bar	Max. 1500 bar



MATERIALS

STANDARD QUALITIES	DESCRIPTION	BRINELL HARDNESS
Soft Iron	D	90
Low carbon steel	S	120
4-6 CR ½ Mo (F5)	F5	130
SS 316	S316	160

The R and RX shape gaskets have a surface finish less than 63 RMS -can be interchangeable modifying the size of the bolts- and the BX shape less than 32 RMS.

DIMENSIONS

SHAPE	STANDARD	STANDARD
R OVAL OR OCTAGONAL	ASME B 16.20 / API 6 A	ANSI B 16.5 / 16.47 A
RX	ASME B 16.20 / API 6 A	API 6 B
BX	API 6 A	API 6 BX

FABRICATION according to ASME 16.20 / API 6A
(*Another qualities, ask our Technical-Commercial Department).