

Cen-Stat™ Static Grounding clamps, cables and reels



Static grounding systems like the Earth-Rite® range combine interlock control and visual indication to verified ground connection points and offer the highest levels of protection over electrostatic ignition risks. However, equipment specifiers may select passive grounding devices, like single pole clamps, to ground and bond plant equipment.

Enquiry > Click here to submit a product related query or a request for quotation.



When flammable or combustible products are being handled and processed in hazardous areas it is essential to specify certified equipment that will protect personnel from sources of electrostatic ignition.

Static grounding clamps that combine Factory Mutual & ATEX approvals are rigorously tested and certified to ensure they are capable of dissipating static charges from potentially charged equipment. This is especially significant when the equipment can be covered in coatings, product deposits or rust that is capable of preventing the clamp from making low resistance electrical contact with the equipment to be grounded.

Establishing a solid electrical connection can only be achieved by penetrating any connection

inhibitors like coatings, product deposits and rust. Factors like this will impede the dissipation of static charges from the object to ground if the clamp is not capable of penetrating them and making a connection to the base metal of the container or vessel. Once a strong connection is established, it is vital that this connection remains constant for the duration of the process operation.

Factory Mutual approved clamps undergo a series of mechanical and electrical tests to ensure they can function as reliable static grounding clamps in EX / HAZLOC areas.

ATEX certification ensures there are no sources of mechanical sparking, like thermite reactive materials such as aluminium, or sources of stored mechanical energy, present in the construction of the clamp.



Static grounding clamps must be capable of breaking through coatings, product deposits and rust to ensure a good electrical connection to process equipment.

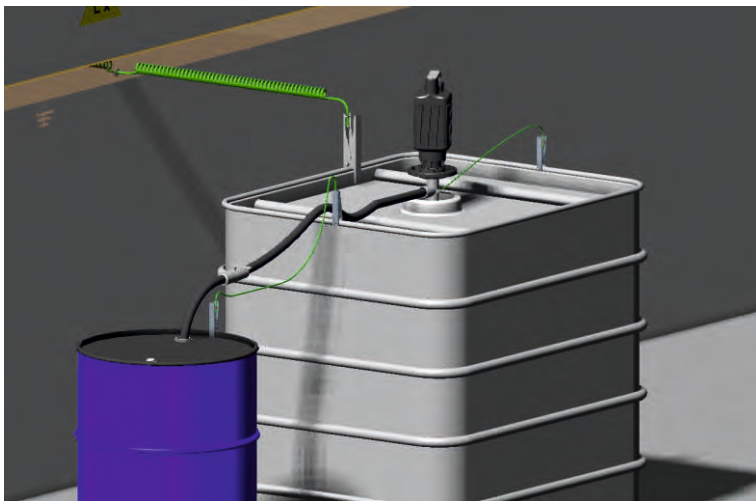
Cen-Stat™ Static Grounding clamps, cables and reels

5 good reasons to specify ATEX & FM approved clamps.

- > **Clamp Pressure Testing**
ensures the grounding clamp is capable of establishing and maintaining low resistance electrical contact with equipment (FM approvals).
- > **Electrical Continuity Testing**
ensures the electrical continuity from the teeth throughout the grounding clamp is less than 1 ohm (FM approvals).
- > **High Frequency Vibration Testing**
ensures the grounding clamp is capable of maintaining positive contact when attached to vibrating equipment (FM approvals).
- > **Mechanical Pull Testing**
ensures the grounding clamp cannot be pulled off the equipment without an intentional application of force (FM approvals).
- > **Sources of mechanical sparking**
ensures no mechanical sparking sources are present in the clamp (ATEX certification).



To remove static electricity from the EX/HAZLOC atmosphere grounding clamps should be capable of achieving connections to equipment with resistance values that do not exceed 10 ohms.



Equipment can only be grounded by ensuring a low resistance connection to verified true earth grounding points (e.g. copper bus-bars). Other equipment used in the process can be bonded to the equipment that is grounded ensuring static electricity does not accumulate on the equipment in the overall system.

Warning!

Drums and containers can have typical coating thicknesses of 675 micro-metres. Product deposits on drums and containers can result in thicknesses of up to several millimetres. The flat surfaces of basic welding clamps and battery clips are not designed to penetrate such coatings. It is of critical importance to specify clamps that can make regular and positive electrical contact with the conductive parts of the container. This will ensure that every time a process capable of generating static charges is carried out the risk of an incendive static spark discharge is reduced to an acceptable level.

Both IEC 60079-32-1, 13.4.1 and NFPA 77, 7.4.1.6 & 7.4.1.4 state:

Temporary connections can be made using bolts, pressure-type earth (ground) clamps, or other special clamps. Pressure-type clamps should have sufficient pressure to penetrate any protective coating, rust, or spilled material to ensure contact with the base metal with an interface resistance of less than 10 Ω*.

Where wire conductors are used, the minimum size of the bonding or earthing wire is dictated by mechanical strength, not by its current-carrying capacity. Stranded or braided wires should be used for bonding wires that will be connected and disconnected frequently.

*the underlined wording is additional wording present in IEC 60079-32-1.

Cen-Stat™ Static Grounding clamps, cables and reels

Static Grounding clamps with Cen-Stat cable

What is Cen-Stat™ cable?

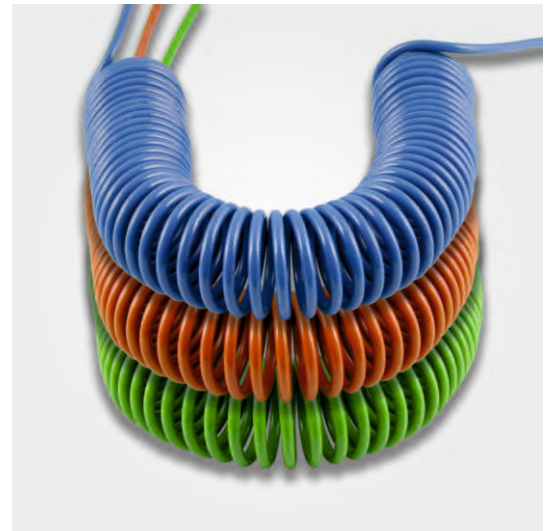
Cen-Stat is a coating and conductor formula based on Newson Gale’s 30 plus years of experience of the rigorous demands of industrial work environments. It combines the features of a well-respected DuPont thermoplastic elastomer that provides a wide operating temperature range, resistance to a wide range of chemical products and enhanced mechanical durability.

The conductor is composed of multi-stranded galvanized steel threads providing a conductor cross-sectional area of 4 mm² (11 AWG), and with the coating included provides a cable diameter of 6 mm (0.25”). Cen-Stat is supplied in standard retractable spiral lengths of 3 m (10 ft.), 5 m (16 ft.), and 10 m (32 ft.). Cen-Stat is supplied with Newson Gale’s heavy duty clamps. Other lengths are available on request.

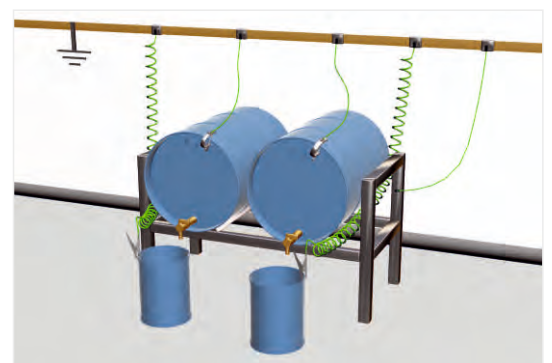
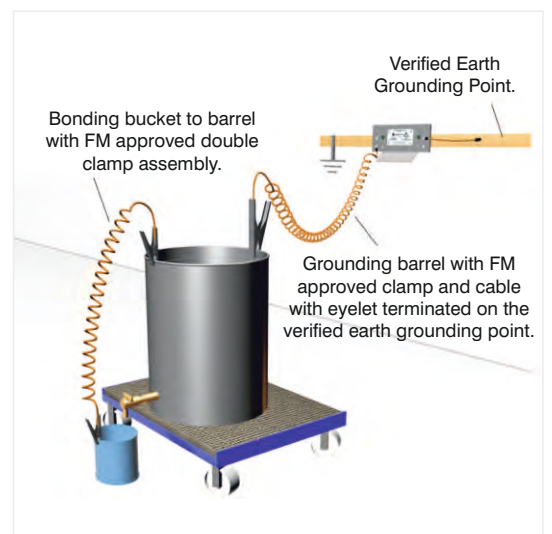
Included in our Cen-Stat formulation is static dissipative material that prevents the cable from carrying an electrostatic charge and additives that provide protection against exposure to ultra-violet light.

Cen-Stat cable is used across all Newson Gale product categories.

Blue Cen-Stat	Active grounding circuits carrying intrinsically safe current.
Green Cen-Stat	Passive grounding cable colour coded for Europe and the rest of the world.
Orange Cen-Stat	Passive grounding cable colour coded for North and South America.



Cen-Stat cable



Cen-Stat™ Static Grounding clamps, cables and reels

Large size heavy duty static grounding clamp with Cen-Stat cable

Applications:	Grounding and bonding metal objects ranging from 55 gallon drums to large metal totes and IBCs
Clamp material:	Stainless Steel (SS grade: 304)
Operating Temperature:	-40°C to +60°C
Dimensions:	236 mm x 105 mm x 33 mm (9.3" x 4.1" x 1.3")
Maximum jaw opening:	30 mm (1.8") approx.
Clamp teeth:	2 tungsten carbide teeth - set side by side in a stainless steel mounting block for extra stability
Spring:	Torsion spring (3.5 turn design) Stainless steel (SS Grade: 302)
FM /ATEX certification	Ex II 1 GD T6 (Assessed to EN 13463-1 : 2009) FM Certificate of Compliance number: 3046346 ATEX certificate number: Sira 02ATEX9381
Cable supplied:	3 m (10 ft.), 5 m (16 ft.) or 10 m (32 ft.) Cen-Stat spiral multi-stranded galvanized steel with green anti-UV / static dissipative Hytrel coating
Wire diameter:	Conductor cross sectional area - 4 mm ² (11 AWG) approx. With Cen-Stat coating - 6 mm (0.25") diameter
Ring terminal:	10 mm (0.4") hole diameter



Standard size heavy duty static grounding clamp with Cen-Stat cable

Applications:	Grounding and bonding metal objects ranging from small cans to 55 gallon drums
Clamp material:	Stainless Steel (SS grade: 304)
Operating Temperature:	-40°C to +60°C
Dimensions:	120 mm x 65 mm x 25 mm (4.7" x 2.6" x 1.0")
Maximum jaw opening:	15 mm (0.6") approx.
Clamp teeth:	2 tungsten carbide teeth - set side by side in a stainless steel mounting block for extra stability
Spring:	Torsion spring (4 turn design) Stainless steel (SS Grade: 302)
FM /ATEX certification	Ex II 1 GD T6 (Assessed to EN 13463-1 : 2009) FM Certificate of Compliance number: 3046346 ATEX certificate number: Sira 02ATEX9381
Cable supplied:	3m (10 ft.), 5 m (16 ft.) or 10 m (32 ft.) Cen-Stat spiral multi-stranded galvanized steel with green anti-UV / static dissipative Hytrel coating
Wire diameter:	Conductor cross sectional area - 4 mm ² (11 AWG) approx. With Cen-Stat coating - 6 mm (0.25") diameter
Ring terminal:	10 mm (0.4") hole diameter



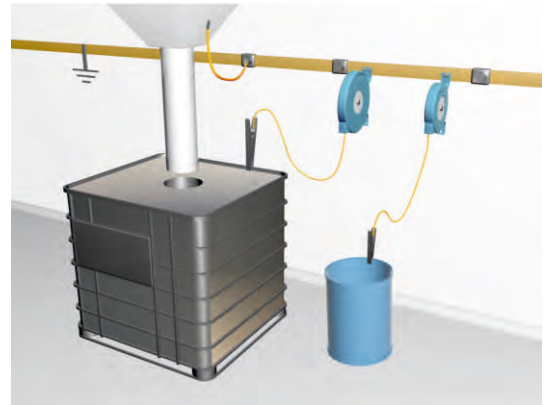
Cen-Stat™ Static Grounding clamps, cables and reels

Heavy Duty grounding clamps with cable reels.

Retracting cable reels are an alternative solution to using retractable Cen-Stat™ spiral cable. They are normally specified for locations where there is a preference for ensuring process operators stow grounding clamps correctly for good “housekeeping” purposes when the clamps are not in use.

Newson Gale’s “R-series” of static grounding reels offer Hytrel cable housed on automatically retractable cable reel.

The R-series of retractable cable reels are supplied in 6.1 m (20 ft.), 9.1 m (30 ft.) and 15.2 m (50 ft.) lengths. The blue powder coated reel is supplied with Hytrel cable which has a yellow coating. The stainless steel reels are supplied with nylon coated stainless steel cable.



Blue powder coated retractable cables reels

Applications:	Grounding and bonding metal objects ranging from small cans to 55 gallon drums (Standard size clamp) Grounding and bonding metal objects ranging from open top 55 gallon drums to large totes and IBCs (Large size clamp)
Reel dimensions:	190 mm x 155 mm x 51 mm (7.5" x 6.1" x 2.0") approx.
Cable lengths:	6.1 m (20 ft.), 9.1 m (30 ft.), 15.2 m (50 ft.) with Hytrel coating
Cable supplied	Hytrel multi-stranded galvanized steel with hi-viz yellow coating
Cable diameter:	2.3 mm (3/32") galvanized braided cable conductor 3.2 mm (1/8") with Hytrel coating
Reel construction:	Latchable spring mounted cable drum mounted in powder coated steel housing
Reel FM / ATEX Certification:	FM approved (R20 & R30) ATEX Ex II 2 GD T6 (Assessed to EN 13463-1 : 2001)
Clamp FM / ATEX Certification:	FM approved ATEX Ex II 1 GD T6 (Assessed to EN 13463-1 : 2009)



Cen-Stat™ Static Grounding clamps, cables and reels

Technical Information

NG Reels 20

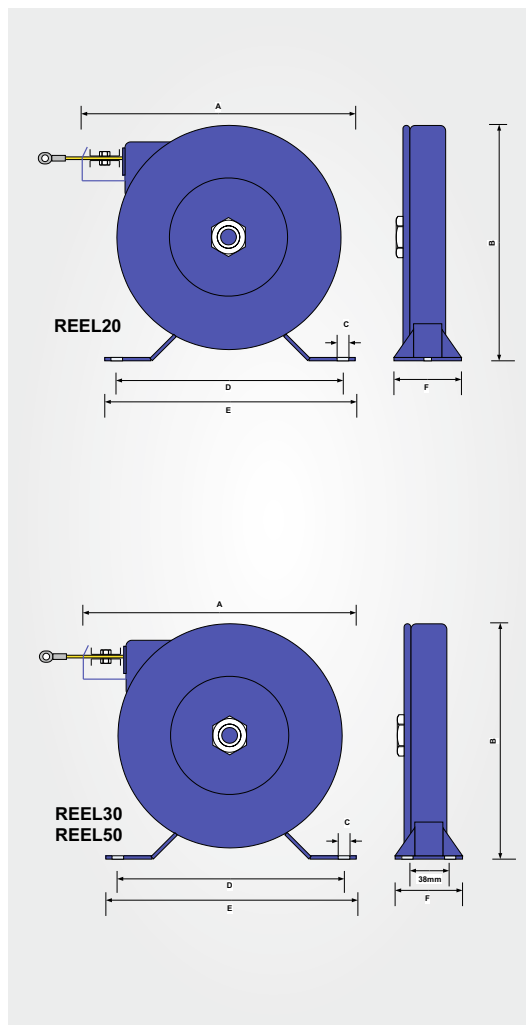
	mm	inch	Mounting
A	190.00	7.48	
B	155.00	6.10	
C	6.750 x 9.53	0.27 x 0.38	2 slots
D	145.00	5.71	
E	170.00	6.69	
F	50.80	2.00	
Kgs	1.25		
lbs	2.75		

NG Reels 30

	mm	inch	Mounting
A	237.00	9.33	
B	200.00	7.87	
C	10.32	0.41	4 slots
D	200.00	7.87	
E	220.00	8.66	
F	60.00	2.36	
Kgs	2.25		
lbs	4.95		

NG Reels 50

	mm	inch	Mounting
A	237.00	9.33	
B	200.00	7.87	
C	10.32	0.41	4 slots
D	200.00	7.87	
E	220.00	8.66	
F	60.00	2.36	
Kgs	2.25		
lbs	4.95		



Cen-Stat™ Static Grounding clamps, cables and reels

R-Series stainless steel retractable cables reels

Applications:	Grounding and bonding metal objects ranging from small cans to 55 gallon drums (Standard size clamp) Grounding and bonding metal objects ranging from open top 55 gallon drums to large totes and IBCs (Large size clamp)
Reel dimensions:	190 mm x 155 mm x 51 mm (7.5" x 6.1" x 2.0") approx.
Cable lengths:	6.1 m (20 ft.), 9.1 m (30 ft.), 15.2 m (50 ft.) with Hytrel coating
Cable supplied	Hytrel multi-stranded stainless steel (SS 304) with hi-viz yellow coating
Cable diameter:	2.3 mm (3/32") stainless steel braided cable conductor 3.9 mm (5/32") with Hytrel coating
Reel construction:	Latchable spring mounted cable drum mounted in stainless steel (SS 304) housing
Reel ATEX Certification:	ATEX Ex II 2 GD T6 (Assessed to EN 13463-1 : 2001)
Clamp FM / ATEX Certification:	FM approved ATEX Ex II 1 GD T6 (Assessed to EN 13463-1 : 2009)



30 m (100 ft.) retractable cable reels

Applications:	Grounding and bonding metal objects ranging from small cans to 55 gallon drums (Standard size clamp) Grounding and bonding metal objects ranging from open top 55 gallon drums to large totes and IBCs (Large size clamp)
Reel dimensions:	190 mm x 155 mm x 51 mm (7.5" x 6.1" x 2.0") approx.
Cable lengths:	30 m only (100 ft.)
Cable supplied	Hytrel multi-stranded galvanized steel with hi-viz yellow coating
Cable diameter:	2.3 mm (3/32") galvanized braided cable conductor 3.2 mm (1/8") with Hytrel coating
Reel construction:	Latchable spring mounted cable drum mounted in red powder coated housing Non-latchable self retracting spring mounted cable drum mounted in red powder coated housing
Reel ATEX Certification:	ATEX Ex II 2 GD T6 (Assessed to EN 13463-1 : 2001)
Clamp FM / ATEX Certification:	FM approved ATEX Ex II 1 GD T6 (Assessed to EN 13463-1 : 2009)

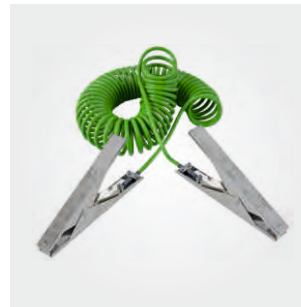


Cen-Stat™ Static Grounding clamps, cables and reels

Additional static grounding devices in the Cen-Stat™ range

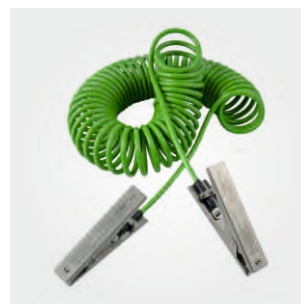
Large size double ended clamp

Applications:	Bonding metal objects ranging from 55 gallon drums to large metal totes and IBCs
Clamp material:	Stainless Steel (SS grade: 304)
Operating Temperature:	-40°C to +60°C
Dimensions:	236 mm x 105 mm x 33 mm (9.3" x 4.1" x 1.3")
Maximum jaw opening:	30 mm (1.8") approx.
Clamp teeth:	2 tungsten carbide teeth - set side by side in a stainless steel mounting block for extra stability
Spring:	Torsion spring (3.5 turn design) Stainless steel (SS Grade: 302)
FM /ATEX certification	Ex II 1 GD T6 (Assessed to EN 13463-1 : 2009) FM Certificate of Compliance number: 3046346 ATEX certificate number: Sira 02ATEX9381
Cable supplied:	3 m (10 ft.), 5 m (16 ft.) or 10 m (32 ft.) Cen-Stat spiral multi-stranded galvanized steel with green anti-UV / static dissipative Hytrel coating
Wire diameter:	Conductor cross sectional area - 4 mm ² (11 AWG) approx. With Cen-Stat coating - 6 mm (0.25") diameter



Standard size double ended clamp

Applications:	Bonding metal objects ranging from small cans to 205 litre (55 gallon) drums
Clamp material:	Stainless Steel (SS grade: 304)
Operating Temperature:	-40°C to +60°C
Dimensions:	120 mm x 65 mm x 25 mm (4.7" x 2.6" x 1.0")
Maximum jaw opening:	15 mm (0.6") approx.
Clamp teeth:	2 tungsten carbide teeth - set side by side in a stainless steel mounting block for extra stability
Spring:	Torsion spring (4 turn design) Stainless steel (SS Grade: 302)
FM /ATEX certification	Ex II 1 GD T6 (Assessed to EN 13463-1 : 2009) FM Certificate of Compliance number: 3046346 ATEX certificate number: Sira 02ATEX9381
Cable supplied:	3m (10 ft.), 5 m (16 ft.) or 10 m (32 ft.) Cen-Stat spiral multi-stranded galvanized steel with green anti-UV / static dissipative Hytrel coating
Wire diameter:	Conductor cross sectional area - 4 mm ² (11 AWG) approx. With Cen-Stat coating - 6 mm (0.25") diameter



Leading the way in hazardous area static control



Cen-Stat™ Static Grounding clamps, cables and reels

Contact Us > Your enquiry will be processed rapidly via our webform enquiry service. If you would prefer to call us, or e-mail us, please use the contact details provided below.

United Kingdom
Newson Gale Ltd
Omega House
Private Road 8
Colwick, Nottingham
NG4 2JX, UK
+44 (0)115 940 7500
groundit@newson-gale.co.uk

Deutschland
IEP Technologies GmbH
Kaiserswerther Str. 85C
40878 Ratingen
Germany
+49 (0)2102 5889 0
erdung@newson-gale.de

United States
IEP Technologies LLC
417-1 South Street
Marlborough, MA 01752
USA
+1 732 961 7610
groundit@newson-gale.com



www.newson-gale.co.uk