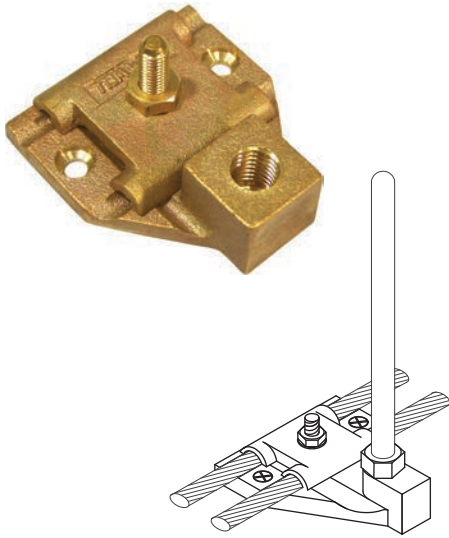




Floor Saddle



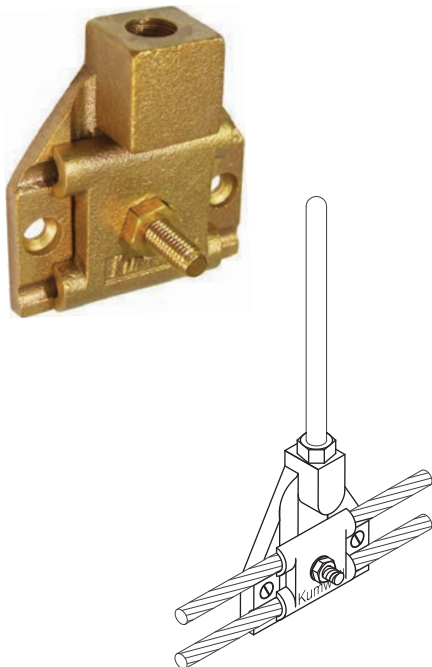
Code No.	Thread Size (in)	Cable Size (mm ²)	Material	Weight (kg)
LFRS 58	5/8	50-70	Copper Alloy	0.58
LFRS 34	3/4	50-70	Copper Alloy	0.58
LFRS 58C-95	5/8	95	Copper Alloy	0.54
LFRS 34C-95	3/4	95	Copper Alloy	0.54
LFRS 58A	5/8	50-70	Aluminium Alloy	0.23
LFRS 34A	3/4	50-70	Aluminium Alloy	0.23

 **Test Certificate**
IEC 62561 Part 1


 **Material**
Copper Alloy - BS EN 1982
Bolt Nut - Brass
Aluminium Alloy-BS 2898


 **Application**
Support air terminal to connect with copper stranded or solid conductors.


Wall Saddle



Code No.	Thread Size (in)	Cable Size (mm ²)	Material	Weight (kg)
LWAS 58	5/8	25-70	Copper Alloy	0.58
LWAS 34	3/4	25-70	Copper Alloy	0.58
LWAS 58C-95	5/8	95	Copper Alloy	0.54
LWAS 34C-95	3/4	95	Copper Alloy	0.54
LWAS 58A	5/8	25-70	Aluminium Alloy	0.23
LWAS 34A	3/4	25-70	Aluminium Alloy	0.23

 **Test Certificate**
IEC 62561 Part 1

 **Material**
Copper Alloy - BS EN 1982
Bolt Nut - Brass
Aluminium Alloy-BS 2898

 **Application**
Support air terminal to connect with copper stranded or solid conductors.