

## GHG 744/ GHG745Ex-e/Ex-i terminal box



GHG 744 0101 R0005



Type 745 02



GHG 745 0201 R0012

### Technical data

#### GHG 744 01 up to 40 terminals | GHG 745 02 up to 82 terminals

Marking accd. to 2014/34/EU	⊕ II 2 G Ex e IIC T4/T5/T6 Gb / Ex e ib [ia/ib] IIC T4/T5/T6 Gb / ⊕ II 2 D Ex tb IIIC T80 °C/T95 °C Db IP6X
EC-Type Examination Certificate	BVS 12 ATEX E 118X
IECEX Certificate of Conformity	IECEX BVS 12.0071X
Marking accd. to IECEx	Ex e IIC T4/T5/T6 Gb Ex tb IIIC T80 °C/T95 °C Db IP6X
Permissible ambient temperature	-20 °C to +40 °C -55 °C to +55 °C (option)
Rated voltage	690 V
Rated current	depends on terminal mounting
Protection class	I
Degree of protection accd. to EN 60529	IP66
Enclosure material	glass-fibre reinforced polyester
Enclosure colour	black

#### GHG 744 01 up to 31 terminals

Connecting terminals	up to 25 mm <sup>2</sup>							
Dimensions (L x W x H)	271 x 134 x 136 mm							
Weight	approx. 1.5 kg							
Drillings/cable glands	M12	M16	M20	M25	M32	M40	M50	M63
Max. number down	60	36	26	18	10	7	4	3
Max. number flange plastic	46	25	20	11	8	4	3	2
Max. number flange metal	-	-	11	9	5	3	3	2
Terminal mounting space on the terminal rail	1 x 230 mm							
Max. number of terminals acc. to certification	2.5 mm <sup>2</sup> 38	4 mm <sup>2</sup> 31	6 mm <sup>2</sup> 24	10 mm <sup>2</sup> 20	16 mm <sup>2</sup> 17	25 mm <sup>2</sup> 15	35 mm <sup>2</sup> 7	

#### GHG 745 02 up to 82 terminals

Connecting terminals	up to 70 mm <sup>2</sup>									
Dimensions (L x W x H)	271 x 271 x 136 mm									
Weight	approx. 2.5 kg									
Drillings/cable glands	M12	M16	M20	M25	M32	M40	M50	M63		
Max. number down	60	36	26	18	10	7	4	3		
Max. number flange plastic	46	25	20	11	8	4	3	2		
Max. number flange metal	-	-	11	9	5	3	3	2		
Terminal mounting space on the terminal rail	2 x 230 mm									
Max. number of terminals acc. to certification	2.5 mm <sup>2</sup> 38	4 mm <sup>2</sup> 31	6 mm <sup>2</sup> 24	10 mm <sup>2</sup> 20	16 mm <sup>2</sup> 17	25 mm <sup>2</sup> 16	35 mm <sup>2</sup> 15	50 mm <sup>2</sup> 9	70 mm <sup>2</sup> 9	



GHG 745 0201 R0012



Type 745 02



GHG 744 0101 R0005

**Ordering details**

Content	Cable gland	No. of terminals	Order No.
<b>Type 744 01 up to 31 terminals assembled with screw terminals 2 x 4 mm<sup>2</sup> + PE-rail 4 mm<sup>2</sup></b>			
Ex-e	1 x plastic flange down without drilling	1 x Ex-e <sup>1)</sup> 7 x PE	GHG 744 0101 R0005
<b>Type 745 02 up to 82 terminals assembled with screw terminals 2 x 4 mm<sup>2</sup> + PE/PA-rail 4 mm<sup>2</sup></b>			
Ex-e	1 x plastic flange down without drilling	1 x Ex-e <sup>1)</sup> 14 x PE	GHG 745 0201 R0004
<b>Type 745 02 up to 82 terminals assembled with screw terminals 2 x 2.5 mm<sup>2</sup> + PE/PA-rail 4 mm<sup>2</sup></b>			
Ex-i	1 x M50 cable gland 8 x M32 for 4 cable	60 x Ex-i 27 x PE/PA	GHG 745 0201 R0012
Ex-e	1 x M50 cable gland 30 x M16 cable gland	60 x Ex-e 27 x PE/PA	GHG 745 0201 R0013
Ex-i	1 x M50 cable gland 30 x M16 cable gland	60 x Ex-i 27 x PE/PA	GHG 745 0201 R0014
Ex-e	1 x M50 cable gland 24 x M20 cable gland	60 x Ex-e 27 x PE/PA	GHG 745 0201 R0015
Ex-i	1 x M50 cable gland 24 x M20 cable gland	60 x Ex-i 27 x PE/PA	GHG 745 0201 R0021
<b>Type 745 02 up to 82 terminals assembled with screwless terminals 2 x 2.5 mm<sup>2</sup> + PE/PA-rail 4 mm<sup>2</sup></b>			
Ex-i	1 x M50 cable gland 8 x M32 for 4 cable	60 x Ex-i 27 x PE/PA	GHG 745 0201 R0016
Ex-e	1 x M50 cable gland 30 x M16 cable gland	60 x Ex-e 27 x PE/PA	GHG 745 0201 R0017
Ex-i	1 x M50 cable gland 30 x M16 cable gland	60 x Ex-i 27 x PE/PA	GHG 745 0201 R0018
Ex-e	1 x M50 cable gland 24 x M20 cable gland	60 x Ex-e 27 x PE/PA	GHG 745 0201 R0020
Ex-i	1 x M50 cable gland 24 x M20 cable gland	60 x Ex-i 27 x PE/PA	GHG 745 0201 R0022

<sup>1)</sup> according to type examination certificate individual extensible  
Other versions available on request

## GHG 744/ GHG745 Ex-e/Ex-i terminal box



GHG 744 0101 R0005

Type 745 02

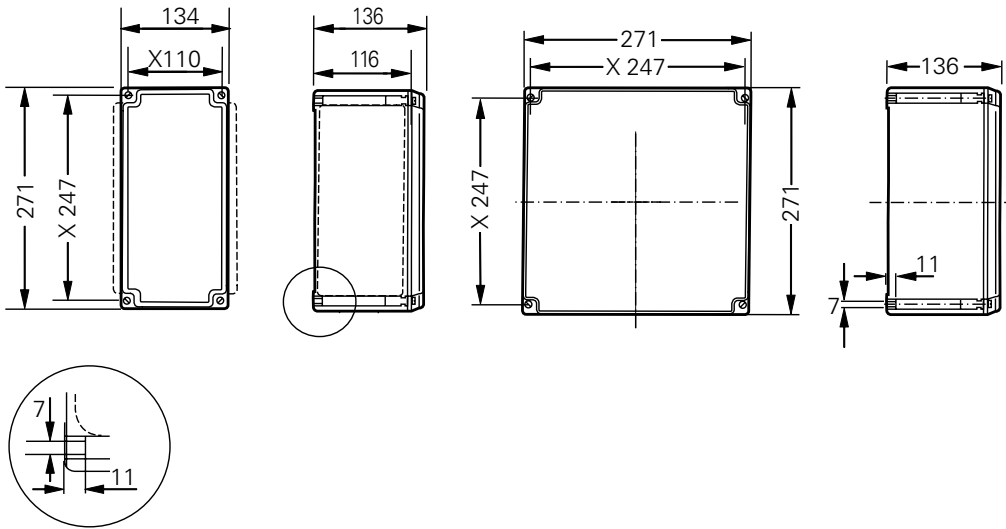
GHG 745 0201 R0012

### Accessories

Type	Application	Fixing method	Order No.
<b>Mounting plate for junction box 744 01</b>			
Size 3	Wall mounting	screwless mounting	<b>GHG 610 1953 R0118</b>
Size 3	Trellis mounting	screwless mounting	<b>GHG 610 1953 R0118</b>
Size 3	Pipe clamp	screwless mounting	<b>GHG 610 1953 R0110</b>
Protective canopy size 3	for mounting plate size 3		<b>GHG 610 1955 R0104</b>

Details for accessories see page 2.2.80 up to 2.2.84.

### Dimension drawing



Type 744 01

Type 745 02

X = fixing dimensions