

# INSTRUCTION SHEET

## POL-20000

### POINT OBSTRUCTION LIGHT

IS20000  
20 Mar 2009  
Page 1 of 1

POL incandescent red steady-burning obstruction lights are used to mark tall structures that present hazard to air navigation. The Point obstruction light mounts directly to conduit risers and may be combined with a PPC photoelectric controller to provide automatic lighting activation at dusk in accordance with FAA specifications. Each POL includes a lens tether and ground wire.

### CATALOG NUMBERING SYSTEM

Point Type-	Lens Color-	Lamp & Voltage
POL-20000	R: Red	40A: 40 watts, 120 volts
	IR: Infrared	40A2: 40 watts, 230 volts
	B: Blue	69A: 69 watts, 120 volts
	Y: Yellow	60A2: 60 watts, 230 volts
	G: Green	116: 116 watts, 120 volts*
	C: Clear	116A2: 116 watts, 230 volts

\*Note: FAA certified in red with 116 watt FAA lamp number 32B

### INSTRUCTIONS

**WARNING: TURN OFF THE ELECTRICITY AT THE SOURCE BEFORE INSTALLATION OR RE-LAMPING. THIS PRODUCT MUST BE INSTALLED IN ACCORDANCE WITH THE APPLICABLE INSTALLATION CODE BY A PERSON FAMILIAR WITH THE CONSTRUCTION AND OPERATION OF THE PRODUCT AND THE HAZARDS INVOLVED**

**CE PRODUIT DOIT ÊTRE INSTALLÉ SELON LE CODE D'INSTALLATION PERTINENT, PAR UNE PERSONNE QUI CONNAÎT BIEN LE PRODUIT ET SON FONCTIONNEMENT AINSI QUE LES RISQUES INHÉRENTS**

The fixture is shipped assembled. If the lamp is included, it is installed. To install a lamp, remove the clamp band securing the colored lens. The lens is retained by a wire rope tether. Screw down the lamp firmly; be sure the o-ring is in its groove; resecure the lens with the clamp band. Thread the POL's hub to the properly sized conduit. The neutral (zero) wire is white. Note: For 230v export orders, the neutral (zero) wire is blue. Splice the neutral wire to the system neutral (zero). Splice the black wire to the black system line. The green/yellow wire is the fixture's ground; splice it to the system ground. Make splices using proper electrical practices in suitable splice box per NEC and local codes. The POL must be leveled so the lamp is in a vertical position base-down perpendicular to the mounting surface. The small circular level PL10192-75 may be used with the lens removed. If necessary, loosen the three screws that secure the upper head subassembly to the conduit, adjust the position as required and re-tighten the screws. Point Lighting recommends annual re-lamping to reduce unscheduled outages.

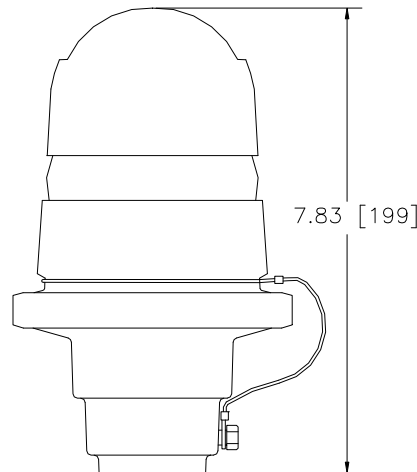


**UL STD 1598**  
**CSA C22.2 No. 250.0**

### REPLACEMENT PARTS

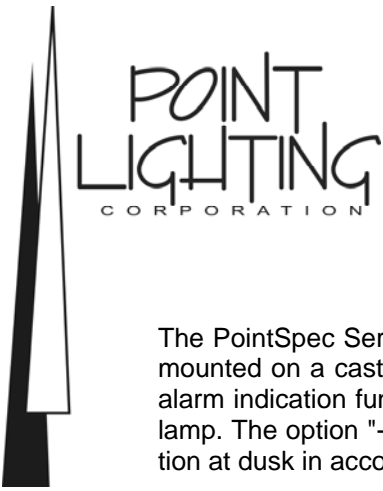
Part Number	Description	Qty
PL10001T	Lens, Red w/Tether	1
PL10491T	Lens, Infrared w/ Tether	1
PL10002T	Lens, Blue w/Tether	1
PL10005T	Lens, Yellow w/Tether	1
PL10004T	Lens, Green w/Tether	1
PL10003T	Lens, Clear w/Tether	1
PL10039	Clamp Band	1
PL10049	O-Ring	1
PL10076	Socket, Medium Screw	1
PL10024-116	Lamp, 116w 120V	1
PL10025-116	Lamp, 116w 230V	1

**POL-20000**  
**OUTLINE DIAGRAM**  
DIMENSIONS: INCHES [MM]



#### IMPORTANT NOTICE

The installer assumes full responsibility for the proper application and safe installation of this unit in accordance with these instructions, the National Electric Code, and all other state and local codes and practices. POINT LIGHTING CORPORATION accepts no responsibility for damages to property or injury to personnel for the improper use of this product or its failure under any circumstances. POINT LIGHTING CORPORATION's warranty is limited to the replacement of the defective unit only if the failure is the result of a manufacturing defect.



## SUPPLEMENTAL INSTRUCTION SHEET POL-20000-DJ POINTSPEC OBSTRUCTION LIGHT

The PointSpec Series double obstruction light consist of two (2) FAA certified and ETL listed heads mounted on a cast aluminum junction box. The -DJ option consist of two operating heads with no alarm indication function present in the unit. This light must be used only with the specified wattage lamp. The option "-P" may be added for an FAA photoelectric controller to provide automatic activation at dusk in accordance with FAA specifications.

### CATALOG NUMBERING SYSTEM

Point Type-	Lens Color-	Lamp & Voltage-	Conduit Mounting-	Fixture Style
POL-20000	R: Red B: Blue Y: Yellow C: Clear	116: 116 watts, 120 volts 116A2: 116 watts, 230 volts (Blank): Lamp not included	34B: ¾-inch, Bottom 34F: ¾-inch, Feed-Thru 10B: 1-inch, Bottom	DJ: Double with Junction Box
Option -P: FAA Photoelectric Controller				

### INSTRUCTIONS

#### TURN OFF THE ELECTRICITY AT THE SOURCE BEFORE INSTALLATION OR RE-LAMPING.

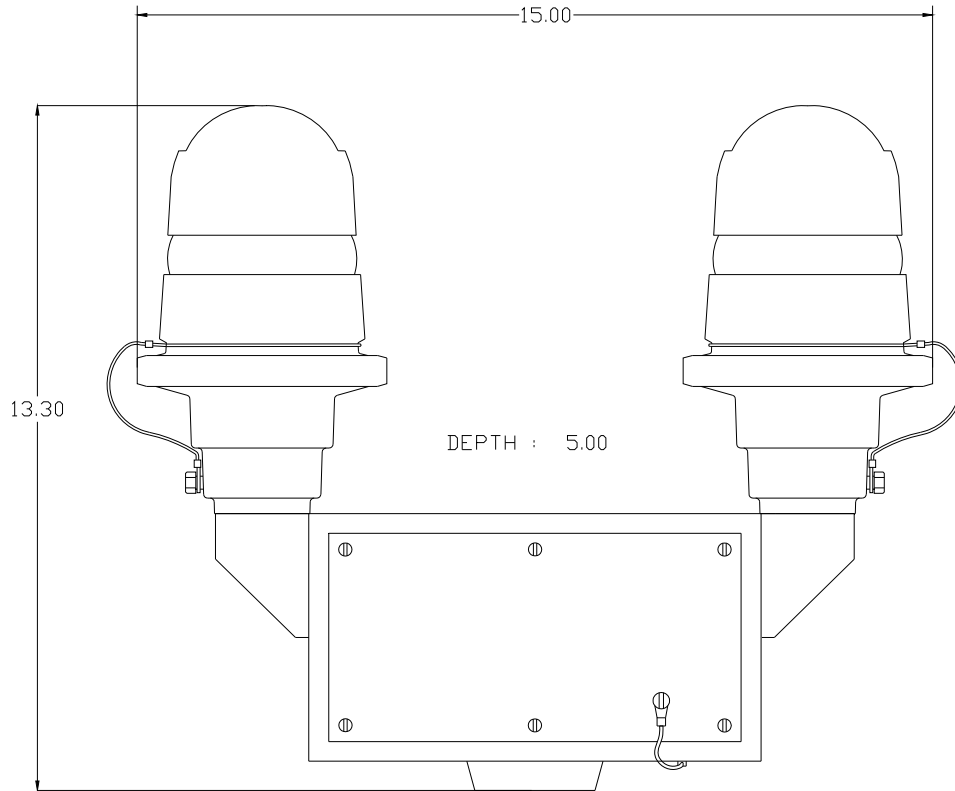
The fixture is shipped assembled. If the lamp is included, it is installed. To install a lamp, remove the clamp band securing the colored lens. The lens is retained by a wire rope tether. Screw down the lamp firmly; be sure the o-ring is in its groove; resecure the lens with the clamp band. Thread the POL's hub to the properly sized conduit. The neutral (zero) wire is white. Note: For 230v export orders, the neutral (zero) wire is blue. The neutral wire is attached to the lamp socket shell; splice it to the system neutral (zero). Splice the black wire to the black system line. The green or green/yellow wire is a ground wire; splice it to the system ground. Make splices using proper electrical practices in suitable splice box per NEC and local codes. The POL must be leveled so the lamp is in a vertical position base-down perpendicular to the mounting surface. The small circular level PL10192-75 may be used with the lens removed. If necessary, loosen the three screws that secure the upper head subassembly to the conduit, adjust the position as required and retighten the screws.

## POINT LIGHTING CORPORATION

Mail: P.O. Box 686, Simsbury, CT 06070      Plant: West Dudley Town Rd, Bloomfield, CT  
Tel 01 860.243.0600      USA      Fax 01 860.243.0665  
email: PointLighting@earthlink.net      website: www.PointLighting.com



### POINTSPEC DOUBLE OBSTRUCTION LIGHT



### REPLACEMENT PARTS

PART NUMBER	DESCRIPTION	QTY
PL10001T	Lens, Red with Tether	2
PL10039	Clamp Band	2
PL10049	O-Ring Seal	2
PL10076-S	Socket, Medium Screw	2
PL10024-116	Lamp, 116w 120v	2
PL10025-116	Lamp, 116w 230v	2
PL10462	Cover & Tether	1
PL10494	Gasket, Cover	1

## POINT LIGHTING CORPORATION

Mail: P.O. Box 686, Simsbury, CT 06070      Plant: West Dudley Town Rd, Bloomfield, CT  
Tel 01 860.243.0600      USA      Fax 01 860.243.0665  
email: PointLighting@earthlink.net      website: www.PointLighting.com