

Champ® LED Driver Modules with Trunnion Arm (S812 Suffix)

Installation & Maintenance Information

COOPER Crouse-Hinds

IF 1651

SAVE THESE INSTRUCTIONS FOR FUTURE REFERENCE

APPLICATIONS

Champ® LED Trunnion Mount (suffix S812) lighting luminaires are UL and cUL Listed for use indoors and outdoors in the following hazardous (classified) and adverse environment locations as defined by the National Electrical Code (NEC®) and Canadian Electrical Code (CEC):

NEC/CEC:

- Class I, Division 2, Groups A, B, C, D
- Class I, Zone 2
- Class II, Groups E, F, G
- Simultaneous Presence
- Wet Location, Type 4X, IP66, Marine

UL Standards:

- UL844
- UL1598 Luminaires, UL1598A Marine

CSA Standard:

- CSA C22.2 No. 137

Refer to the luminaire nameplate for specific classification information and operating temperature (T-Number).

Champ LED Trunnion Mount Luminaires incorporate the same features and benefits as traditional Champ VMV LED Luminaires and can be used with the same input voltage supplies (90-305 VAC, 50/60 Hz; 108-250 VDC; 347 VAC 60 Hz; 480 VAC 60 Hz). The trunnion mount can be used with all Champ Cat. Nos. DM1, DM2, DM3, and DM4 driver modules with ceiling mount-type top hats. Top hat not included with trunnion mount kit when purchased as an accessory. Trunnion mount Champ VMV LED Luminaires can be mounted at any angle, such as on a wall or ceiling.

⚠ WARNING

To avoid the risk of fire, explosion, or electric shock, this product should be installed, inspected, and maintained by a qualified electrician only.

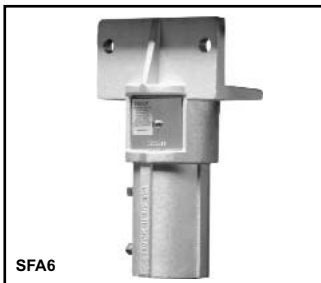
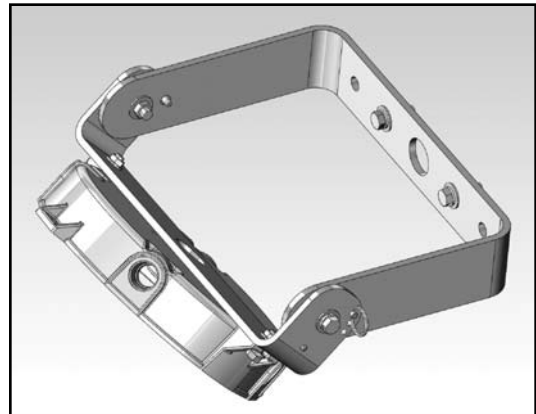
***Note:** Not to be used on any other luminaires except Champ LED Series with Cat. Nos. DM1, DM2, DM3, and DM4 driver modules. This is **NOT** acceptable for use on any HID, fluorescent, or induction luminaire or any other luminaire series.

⚠ WARNING

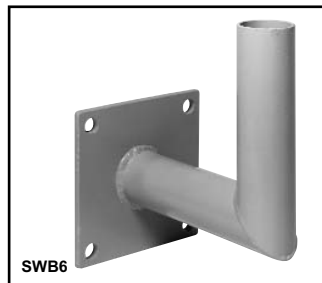
To avoid explosion and electric shock:
Be certain electrical power is OFF before and during installation and maintenance.

INSTALLATION AND MOUNTING

1. Ensure that the Champ LED was assembled correctly and all bolts tightened to the appropriate levels per the Champ LED IF Sheet.
2. Attach the top hat bracket (1) to the LED ceiling mount top hat using the 3/16" bolt, nut, and washer (provided). Torque to 130 in.-lbs.
3. Install using wiring system per NEC for Class I, Division 2, Groups A, B, C, D; and Class II, Division 1, Groups E, F, G.
4. Position the top hat bracket (1) as desired in relation to the yoke arm (4) by removing the pair of spring lock push pins (2) and rotating the bracket. Once in the desired position, re-insert the spring lock push pins (2) and tighten the yoke arm retaining bolts (3) until lock washer is fully compressed.
5. Position the yoke arm (4) as needed against the surface that it will be mounted to. Install the appropriate 1/2" bolt with washer (not supplied) into one of the bolt holes in the yoke arm. Rotate the yoke arm as needed and install a second 1/2" bolt with washer (not supplied) to secure the bracket in the desired position with the desired rotation.
6. For pole mounting and wall bracket (SWB6) applications only, purchase the SFA6 slipfitter and attach the yoke bracket to the SFA6 following the instructions supplied with the SFA6*.

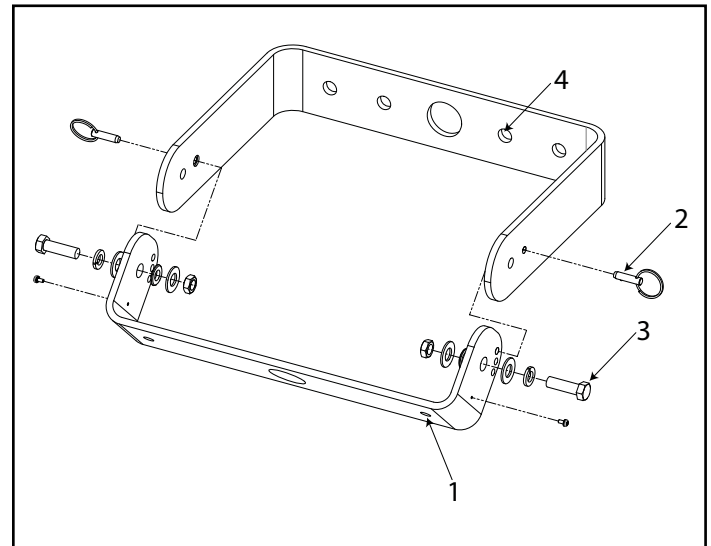


SFA6



SWB6

*Use with SFA6 or SFA6/SWB6 is not UL Listed.



All statements, technical information and recommendations contained herein are based on information and tests we believe to be reliable. The accuracy or completeness thereof are not guaranteed. In accordance with Crouse-Hinds "Terms and Conditions of Sale," and since conditions of use are outside our control, the purchaser should determine the suitability of the product for his intended use and assumes all risk and liability whatsoever in connection therewith.

COOPER Crouse-Hinds

Cooper Industries Inc.
Crouse-Hinds Division
PO Box 4999, Syracuse, New York 13221 • U.S.A.
Copyright© 2012, Cooper Industries, Inc.

IF 1651
Revision 1
New 12/12