

Hazardous area sounders

DB1P



Page 28

DB3B



Page 28

dEV 20



Page 29

DB5



Page 29

DB7



Page 29

DB6



Page 30

dGW21/dRGW21



Page 30

dGH 21 / dRGH 21



Page 30

mHG 11



Page 31

mHP11



Page 31

mHP12



Page 31

The MEDC and FHF range of sounders are suitable for a wide variety of applications and feature a selection of tone settings and traditional bells.

Sounders are used to warn of potentially dangerous situations or to relay instructions. In addition the alarms may operate as stand-alone units or be incorporated into a hazard warning system. A wide variety of sound output levels and other options are also available. The sounders output in dB is measured to European standards at 1 metre.



Hazardous area sounder

The MEDC DB3B, the latest addition to the sounder range boasts improved functionality and performance; including a higher output than the DB3, with SPL reaching 122dB @ 1m (+/-3dB). This significantly improves sound coverage in high noise environments, and ensures that our product will be effective in almost any application.

The DB3B is ATEX, IECEx, INMETRO, cULus, TR CU, CQST, CCOE, CCCF and SIL 1 certified, and can be purchased as part of a beacon/sounder combination unit (please contact Eaton for details). In addition, it is available as either a flameproof enclosure (Ex d), or increased safety unit (Ex de), as well as protection against Gas or Gas & Dust atmospheres, allowing for greater flexibility to suit most specifications.

- Maximum output of 122dB @1m
- Certified -55°C to +70°C
- ATEX, IECEx, cULus, TR CU, CQST, CCOE, CCCF, SIL 1 & INMETRO certified
- Improved current consumption (329mA at nominal 24Vdc low inrush)
- Increased room in terminal chamber
- Drivers tested for over 1500 hours at full power
- Ex d/ Ex de units available
- Gas/ Gas & Dust units available
- Increased room in terminal chamber
- Improved control options
- 28 user selectable tones



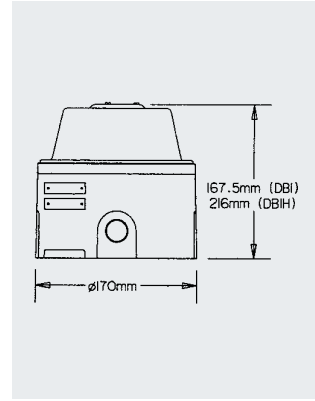
Hazardous area sounders

DB1P

Ex d Sounder



Certification	ATEX, IECEx, cULus, TR CU, CCOE
Area classification	Zone 1, 2, weatherproof
ATEX/IEC classification	Ex II 2G, Ex d IIB T5/T6
NEC classification	Class I, Div. 1, Groups C, D
Approvals	SIL1, Russian fire approval
Certified temperature	-25°C to +70°C
Ingress protection	IP66, NEMA 4X
Material	Stainless steel or alloy
Entries	Up to 3 x M20, M25, ½" NPT or ¾" NPT
Weight	3.5kg - 12.7kg*
Voltage	12-48Vdc, 110-240Vac
Sound output	Max: 110dB, 1m (±3dB)*
Tones	27
Stages	2*
Options	Output level, entries, tag & duty labels, telephone or relay initiate, remote tone select, EOL resistor, colour

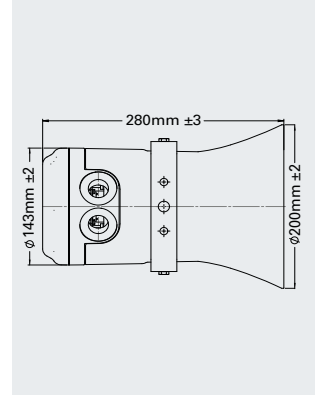


DB3B

Ex d(e) Sounder



Certification	ATEX, IECEx, cULus, TR CU, CQST, INMETRO, CCOE
Area classification	Zone 1, 2, 21, 22*, weatherproof
ATEX/IEC classification	Ex II 2G, Ex d IIC T4/T5/T6 Gb Ex II 2GD, Ex d IIC T4/T5/T6 Gb Ex tb IIIC T135°C/T100°C/T85°C Db Ex II 2G, Ex de IIC T4/T5/T6 Gb Ex II 2GD, Ex de IIC T4/T5/T6 Gb Ex tb IIIC T135°C/T100°C/T85°C Db
UL/NEC classification	Class I, Div. 2, Groups A, B, C, D Class II, Div. 2, Groups F, G
Approvals	SIL1, Russian fire approval, CCCF, CSFM
Certified temperature	-55°C to +70°C
Ingress protection	IP66 & IP67, NEMA 4X & 6
Material	Body: corrosion free GRP Flare: thermoplastic
Entries	Up to 2 x M20 or ½" NPT
Weight	Ex d: 4.6kg (based on long flare unit) Ex de: 5.4kg (based on long flare unit)
Voltage	12-48Vdc, 110-254Vac
Sound output	Max: 122dB, 1m (±3dB)*
Tones	28
Stages	3 (5 voltage free)
Options	Tag & duty labels, swivel bracket, EOL resistor, Earth continuity, tone activation method, voltage free activation, flare type, custom tones, flare colour



*Model dependent

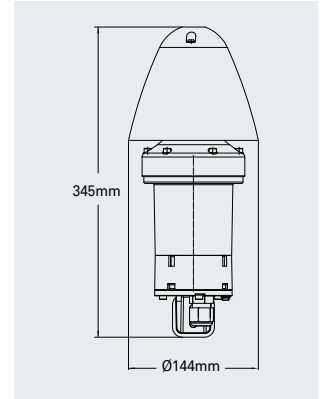
Hazardous area sounders

dEV 20

Ex de sounder



Certification	ATEX, IECEx, INMETRO
Area classification	Zone 1, 2, 21, 22, weatherproof
ATEX/IEC classification	Ex II 2G, Ex de IIB + H, T6 Gb Ex II 2D, Ex tb IIIC T85°C Db
Certified temperature	-50°C to +60°C
Ingress protection	IP66
Material	Aluminium
Entries	1 x M20
Weight	2.8kg
Voltage	24Vdc, 85-265Vac
Sound output	Max: 115dB, 1m (±3dB)
Tones	32
Stages	2

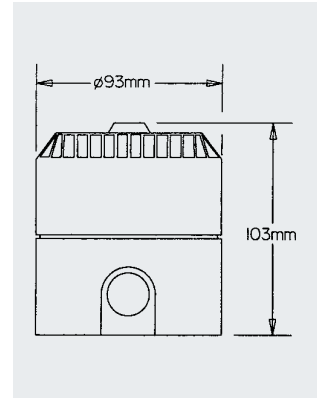


DB5

Ex ia Sounder



Certification	ATEX, ATEX mining, IECEx, IECEx mining, FM, CSA, CCOE
Area classification	Zone 1, 2
ATEX/IEC classification	Ex II 1G, Ex ia IIC T4 Ga Ex I M1, Ex ia I Ma
UL/NEC classification	Class I, Div. 2, Groups A, B, C, D
Certified temperature	-20°C to +55°C
Ingress protection	IP66
Material	ABS
Entries	Up to 2 x M20 via knockouts
Weight	0.3kg
Voltage	12-24Vdc
Sound output	Max: 100dB, 1m (±3dB)
Tones	26
Options	Tag label, colour

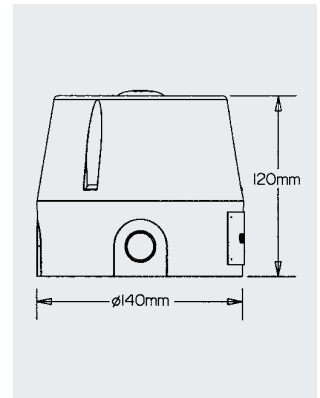


DB7

Ex ia Sounder



Certification	ATEX, TR CU, CCOE
Area classification	Zone 0, 1, 2, weatherproof
ATEX/IEC classification	Ex II 1G, Eex ia IIB/IIC T4*
Approvals	Russian fire approval
Certified temperature	-55°C to +70°C
Ingress protection	IP66 & IP67
Material	Corrosion free GRP
Entries	Up to 3 x M20 via knockouts
Weight	1.0kg
Voltage	12-24Vdc*
Sound output	Max: 106dB, 1m (±3dB)*
Tones	27
Stages	2
Options	Tag & duty labels, colour



*Model dependent

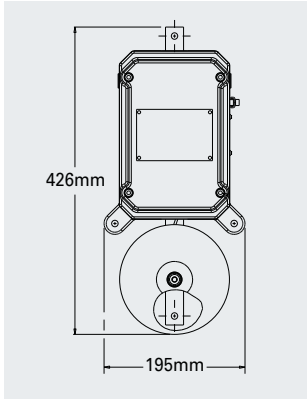
Hazardous area sounders

DB6

Ex d Bell



Certification	ATEX, IECEx
Area classification	Zone 1, 2
ATEX/IEC classification	Ex II 2G, Ex d IIB T5 Gb
Certified temperature	-20°C to +55°C
Ingress protection	IP65
Material	Cast iron
Entries	2 x M20 & 1 x blank plug M20
Weight	11.0kg
Voltage	24Vdc, 240Vac
Sound output	Max: 106dB, 1m (±3dB)*
Options	Tag label, colour

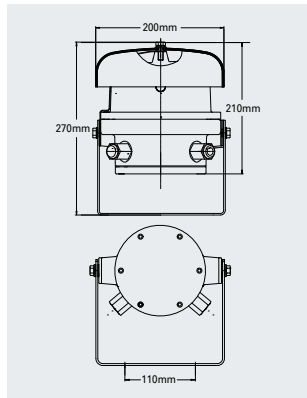


dGW21/dRGW21

Ex de Bell



Certification	ATEX, UL, TR CU
Area classification	Zone 1, 2
ATEX/IEC classification	Ex II 2 G, EEx de IIC T6
UL/NEC classification	Class I, Div. 2, Groups A, B, C, D
Certified temperature	-20°C to +40°C
Ingress protection	IP66, NEMA 4X
Material	Corrosion free GRP
Entries	1 x M20 & 1 x blank plug
Weight	5.5kg
Voltage	12-24Vdc, 110 - 240Vac
Sound output	Max: 105dB, 1m (±3dB)
Options	Telephone relay, body colour

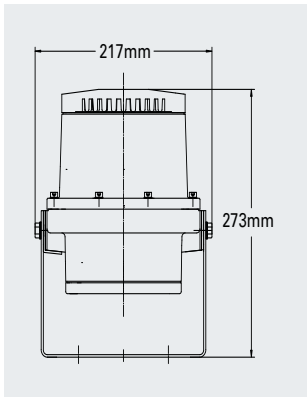


dGH 21 / dRGH 21

Ex de Hooter



Certification	ATEX, UL, TR CU
Area classification	Zone 1, 2
ATEX/IEC classification	Ex II 2 G, Ex de IIC T5/T6*
UL/NEC classification	Class I, Div. 2, Groups A, B, C, D
Certified temperature	-20°C to +75°C*
Ingress protection	IP66, NEMA 4X
Material	Corrosion free GRP
Entries	2 x M20
Weight	5.5kg
Voltage	12-24Vdc, 110-240Vac
Sound output	Max: 105dB, 1m (±3dB)
Options	Call relay, body colour



*Model dependent

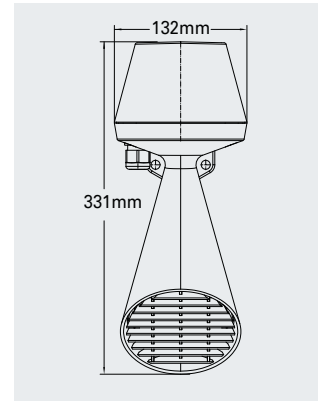
Hazardous area sounders

mHG 11

Ex em Hooter



Certification	ATEX, IECEx, INMETRO
Area classification	Zone 1, 2, 21, 22
ATEX/IEC classification	II 2 G, Ex emb II T4/T5* II 2 D, Ex tD A21 IP66 T90°C
Operating temperature	-55°C to +70°C (T4)
Ingress protection	IP66
Material	Aluminium
Entries	1 x M20
Weight	2.0kg
Voltage	24Vdc, 115Vac, 230Vac
Sound output	Max: 108dB, 1m (±3dB)

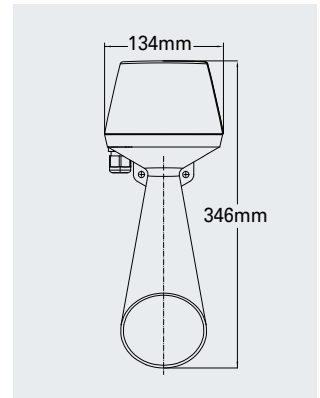


mHP11

Ex em Hooter



Certification	ATEX, IECEx, INMETRO
Area classification	Zone 1, 2
ATEX/IEC classification	II 2 G, Ex emb II T4/T5*
Operating temperature	-20°C to +70°C*
Ingress protection	IP54
Material	Polycarbonate
Entries	1 x M20
Weight	1.0kg
Voltage	24Vdc, 115Vac, 230Vac
Sound output	Max: 108dB, 1m (±3dB)

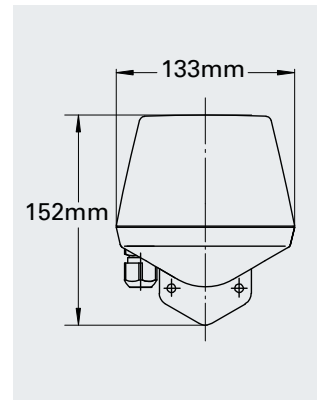


mHP12

Ex em Hooter



Certification	ATEX, IECEx
Area classification	Zone 1, 2
ATEX/IEC classification	II 2 G, Ex emb II T4/T5*
Operating temperature	-20°C to +70°C*
Ingress protection	IP54
Material	Polycarbonate
Entries	1 x M20
Weight	1.0kg
Voltage	24Vdc, 230Vac
Sound output	Max: 108dB, 1m (±3dB)



*Model dependent