

# Hazardous area manual alarm call points

SM87PB



Page 7

SM87BG



Page 7

PH1



Page 7

PB



Page 8

BG



Page 8

BG2



Page 8

BG3



Page 9

Ex-Fire Alarm Switch



Page 9

Eaton provide a range of manual alarm call points specifically designed for the purpose of raising an alarm in the case of an emergency in a hazardous area.

The call points can be made from a selection of materials depending on project specification. This includes glass reinforced polyester (GRP), a light weight and corrosion free material, allowing easy installation and low maintenance cost. Stainless steel is also available which is a heavy duty, long wearing material with an increased life span.

All of Eaton's call points have a minimum IP rating of IP66, with the majority also including IP67, and can be certified to one of our worldwide accreditations, including ATEX and IECEx. There are also options for the inclusion of LED status indicators and addressable location (or address) within the unit and many can be painted a variety of colours to the customer's specification.

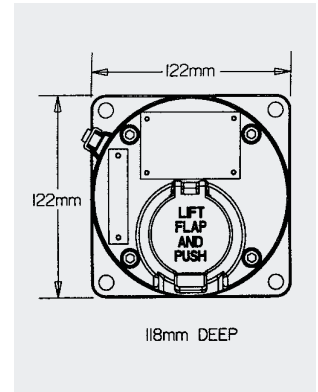
# Hazardous area manual alarm call points

## SM87PB

### Ex d & Ex ia Push button call points



Certification	ATEX, IECEx, cULus, ULC, CSA, TR CU, CQST, INMETRO, CCOE
Area classification	Zone 0, 1, 2, 20, 21, 22, weatherproof
ATEX/IEC classification	Ex II 2 GD, Ex d IIC T5/T6 Gb Ex tb IIIC T100°C/T85°C Db Ex II 1 GD, Ex ia IIC T4 Ga
UL/NEC classification	Class 1, Div. 1, Groups C, D (CSA Ex ia also includes groups A & B)
Approvals	SIL2, Russian fire approval, ABS
Certified temperature	-55°C to +70°C*
Ingress protection	IP66, IP67 & IP68, NEMA 4X & 6
Material	Stainless steel or alloy
Entries	Up to 4 x M20, M25, ½" NPT or ¾" NPT
Weight	Stainless: 3.8kg. Alloy: 2.5kg
Switches	2 pole c/o (Up to 4 pole c/o available)
Options	Switch action, labels, LED, EOL and series resistors, diodes, 3 or 4 pole switches, colour

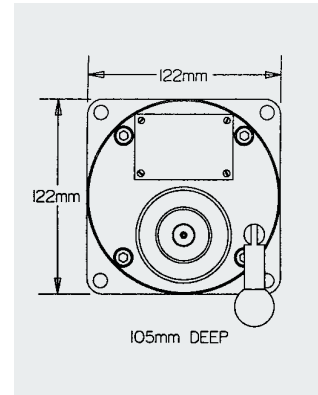


## SM87BG

### Ex d & Ex ia Break glass call points



Certification	ATEX, IECEx, CSA, TR CU, CQST, INMETRO, CCOE
Area classification	Zone 0, 1, 2, 20, 21, 22, weatherproof
ATEX/IEC classification	Ex II 2 GD, Ex d IIC T5/T6 Gb Ex tb IIIC T100°C/T85°C Db Ex II 1 GD, Ex ia IIC T4 Ga
UL/NEC classification	Class 1, Div. 1, Groups C, D (CSA Ex ia also includes groups A, B)
Approvals	Russian fire approval
Certified temperature	-55°C to +70°C*
Ingress protection	IP66, 67, NEMA 4X & 6
Material	Stainless steel or alloy
Entries	Up to 4 x M20, M25, ½" NPT or ¾" NPT
Weight	Stainless: 3.8kg. Alloy: 2.5kg
Switches	2 pole c/o (Up to 4 pole c/o available)
Options	Switch action, labels, LED, EOL and series resistors, diodes, 3 or 4 pole switches, colour

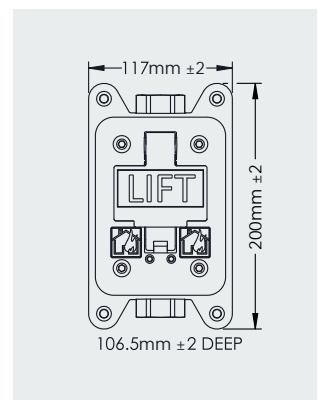


## PH1

### Ex d Pull handle call point



Certification	ATEX, IECEx, cULus
Area classification	Zone 1, 2, 21, 22 & weatherproof
ATEX/IEC classification	Ex II 2 GD, Ex d IIC T6 Gb, Ex tb IIIC T85°C Db
UL/NEC classification	Class I, Div. 1, Groups B, C, D Class I, Div. 2, Groups A, B, C, D
Certified temperature	-55°C to +70°C*
Ingress protection	IP66, 67, NEMA 4X & 6
Material	Corrosion free GRP (UL Class I, Div. 1 Inner Cover: 316 stainless steel)
Entries	Up to 2 x M20, M25, ½" NPT or ¾" NPT
Weight	UL Class I, Div 2/ATEX/IECEx/UW: 2.6Kg UL Class I, Div. 1: 3.8Kg
Switches	1 or 2 pole c/o
Options	EOL and series resistors, diodes, labels, body colour



\*Model dependent

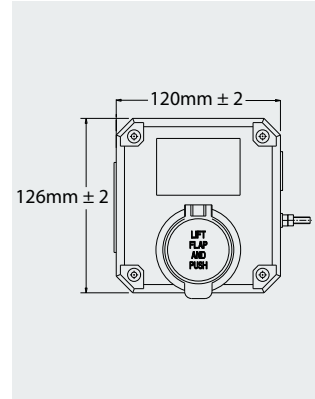
# Hazardous area manual alarm call points

## PB

### Ex de & Ex ia Push button call points



Certification	ATEX, IECEX, cULus, CSA, TR CU, CQST, INMETRO, CCOE
Area classification	Zone 0, 1, 2, 20, 21, 22, weatherproof
ATEX/IEC classification	Ex II 2 GD, Ex de(mb) IIC T4/T6* Ex tb IIIC T120°C Db Ex II 1 GD, Ex ia IIC T4 Ga Ex ia IIIC T135°C Da
UL/NEC classification	Class I, Div. 2, Groups A, B, C, D Class II, Div. 2, Groups F, G
Approvals	SIL2, Russian fire approval, ABS
Certified temperature	-50°C to +70°C*
Ingress protection	IP66, 67, NEMA 4X & 6
Material	Corrosion free GRP
Entries	Up to 4 x M16, M20 or ½" NPT
Weight	1.2kg*
Switches	1 or 2 pole c/o
Options	Labels, LED, EOL and series resistors, diodes, Earth continuity, switch action, number of terminals, colour

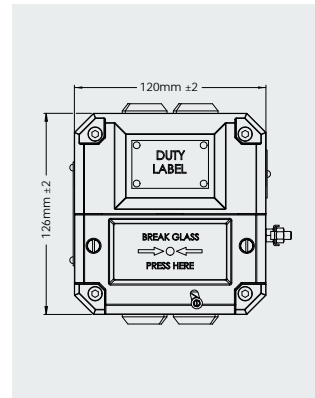


## BG

### Ex de & Ex ia Break glass call points



Certification	ATEX, IECEX, cULus, TR CU, CQST, INMETRO, CCOE
Area classification	Zone 0, 1, 2, 20, 21, 22, weatherproof
ATEX/IEC classification	Ex II 2 G, Ex de (mb) IIC T4/T6* Ex II 1 GD, Ex ia IIC T4 Ga, Ex ia IIIC T135°C Da
UL/NEC classification	Class I, Div. 2, Groups A, B, C, D
Approvals	SIL2, Russian fire approval, CCCF
Certified temperature	-50°C to +70°C *
Ingress protection	IP66, 67, NEMA 4X & 6
Material	Corrosion free GRP
Entries	Up to 4 x M16, M20 or ½" NPT
Weight	1.2kg*
Switches	1 or 2 pole c/o
Options	Labels, switches, LED, Lift flap, EOL and series resistors, diodes, Earth continuity, plastic element, break glass hammer, colour

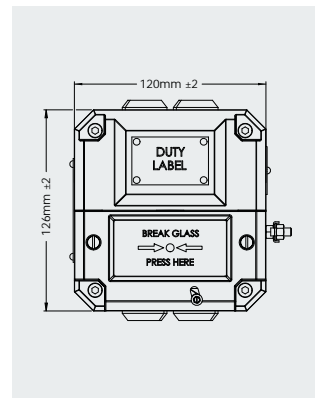


## BG2

### Ex de & Ex ia Break glass call points



Certification	ATEX
Area classification	Zone 0, 1, 2, 20, 21, 22, weatherproof
ATEX/IEC classification	Ex II 2 G, Ex de (mb) IIC T4/T6* Ex II 1 GD, Ex ia IIC T4 Ga, Ex ia IIIC T135°C Da
Certified temperature	-40°C to +70°C*
Ingress protection	IP66 & IP67
Material	Corrosion free GRP
Entries	2 x M20
Weight	1.2kg*
Switches	1 pole c/o
Options	EOL and series resistors, diodes, lift flap



\*Model dependent

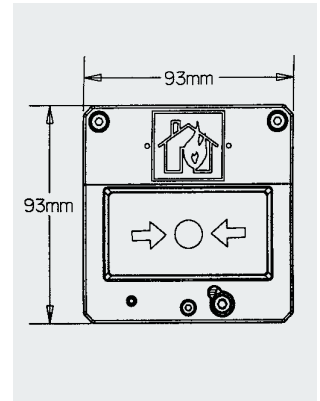
# Hazardous area manual alarm call points

## BG3

### Ex ia Break glass call points



Certification	ATEX
Area classification	Zone 0, 1, 2, 20, 21, 22, weatherproof
ATEX/IEC classification	Ex II 1 G, EEx ia IIC T4
Certified temperature	-55°C to +55°C
Ingress protection	IP66 & IP67
Material	Corrosion free GRP
Entries	2 x M20
Weight	0.5kg
Switches	1 or 2 pole c/o
Options	Labels, EOL and series resistors, diodes, polycarbonate or stainless steel lift flap, LED, double switch, plastic element, colour

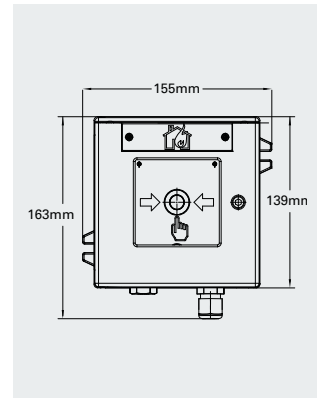


## Ex-Fire Alarm Switch

### Ex de Break glass & push button call point



Certification	ATEX
Area classification	Zone 1, 2, 21, 22
ATEX/IEC classification	Ex II 2 GD, Ex de mb IIC T5/T6 Gb Ex tb IIC T100 °C Db
Approvals	EN54-11, VDS
Certified temperature	-55°C to +70°C*
Ingress protection	IP66
Material	Corrosion free GRP
Entries	1 x M16 & 1 x blank plug M16
Weight	1.8kg
Switches	2 pole c/o
Options	Resistors, colour



\*Model dependent