

# Hazardous area beacons

LD15



Page 12

dSLB20-LED



Page 12

Expertline LED



Page 12

SM87LED



Page 13

ActiveLine GH5



Page 13

SM87HXB



Page 13

XB11



Page 14

XB9



Page 14

BZ2/BD22



Page 14

BDK22



Page 15

XB10



Page 15

dSLB 20



Page 15

XB15



Page 16

XB4



Page 16

XB12



Page 16

XB8



Page 17

XB16



Page 17

TH12



Page 17

SM87 LU1/LU3



Page 18

FL4 & FB4



Page 18

FB11 & FL11



Page 19

FL12 & FB12



Page 19

FB15



Page 19

Eaton's range of beacons, including flashing, steady-state indicators and rotating units, provide solutions for potentially explosive and harsh environmental conditions. These may be used to warn of potential hazards or indicate the status of plant items, gas and oil leaks and evacuation alerts.

The signals can be operated as stand-alone units or be incorporated into a wider system, such as a fire panel. Many units can also be customised with a choice of lens colours and can be painted to customer specification.

Eaton offer a range of LED beacons, which have the added benefit of low energy consumption, an increased lifespan and an option of flash patterns.



## XB15 – 5J, 10J & 15J

Eaton, pioneers in the latest technology, are pleased to announce the evolution of the XB15 beacon range

In an emergency situation in a potentially explosive environment, it is paramount to have an effective warning system that you can depend on. Since its launch 10 years ago, the XB15 has proven to be the product of choice in the fire, flame, gas and telecom integration markets whenever strength, reliability and ease of installation are required.

With a glass reinforced polyester body and borosilicate glass lens, the XB15 leads the way in signalling devices where the effects of adverse harsh environmental conditions and extreme temperatures of -55°C to +70°C demand the highest quality and performance possible. The effective candlepower of the 15J unit has been measured at 382cd, ensuring that our product will be effective no matter what the application.



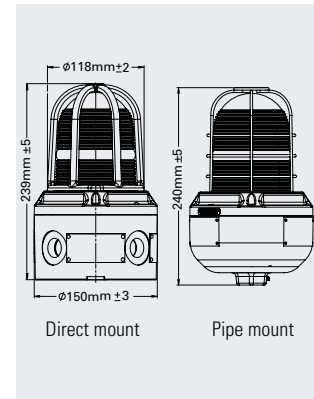
# Hazardous area beacons

## LD15

### Ex d LED beacon



Certification	ATEX, IECEx, cULus, ULC, TR CU, CQST, INMETRO
Area classification	Zone 1, 2, 21, 22, weatherproof
ATEX/IEC classification	Ex II 2GD, Ex db IIC T5/T6 Gb Ex tb IIIC T100°C/T85°C Db
UL/NEC classification	Class I, Div. 2, Groups A*, B*, C, D Class II, Div. 2, Groups F, G Class I, Zone 1, AEx d IIC* & IIB, Ex d IIB
Approvals	SIL1 (1001) & SIL2 (1002)
Certified temperature	-55°C to +70°C
Ingress protection	IP66 & IP67, NEMA 4X & 6
Material	Corrosion free GRP
Entries	Up to 3* x M20, M25, ½" NPT or ¾" NPT
Weight	Direct: 3.5Kg. Pipe: 3.1Kg
Voltage	12-48Vdc, 110-254Vac
Light source	LED
LED life	54,000 hours
Options	Lens colour, lens guard, mounting, tag & duty label, relay initiate, telephone initiate, body colour

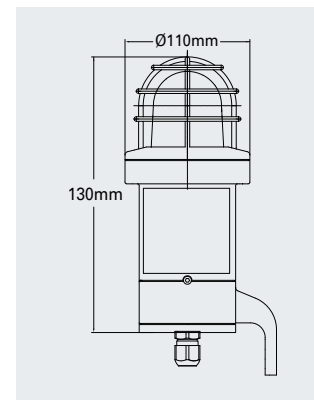


## dSLB20-LED

### Ex de LED beacon



Certification	ATEX, IECEx, TR CU, INMETRO
Area classification	Zone 1, 2, 21, 22, weatherproof
ATEX/IEC classification	Ex II 2GD, Ex d e IIC T6 Gb, Ex tb IIIC T80°C Db
Approvals	ICAO
Certified temperature	-55°C to +55°C
Ingress protection	IP66 & IP67
Material	Aluminium
Entries	1x M20 and 1x blank plug M20
Weight	2kg
Voltage	24-48Vdc, 85-265Vac
Light source	LED
Options	LED colour

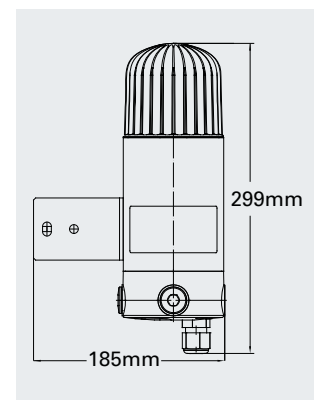


## Expertline LED

### Ex em LED light



Certification	ATEX, IECEx, cULus, TR CU, INMETRO
Area classification	Zone 1, 2, 21, 22, weatherproof
ATEX/IEC classification	Ex II 2G, Ex e mb [ib] IIC T4 Gb Ex II 2D, Ex mb t IIIC IP66 T130°C Db
UL/NEC classification	Class I, Div. 2, Groups A, B, C, D, T4 Class I, Zone 2, Groups IIA, IIB, IIC, T4
Approvals	ICAO
Certified temperature	-40°C to +65°C*
Ingress protection	IP66, NEMA 4X
Material	Polycarbonate
Entries	2 x M20 & 1 x blank plug M20
Weight	2.5kg
Voltage	24Vdc, 120-230Vac
Light source	LED
Options	LED colour, ICAO obstruction light version



\*Model dependent

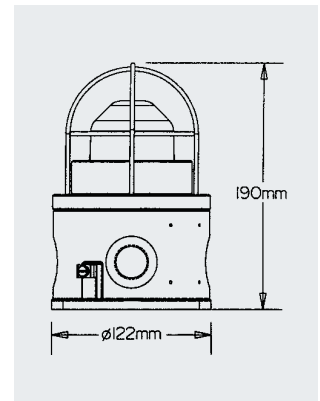
# Hazardous area beacons

## SM87LED

### Ex d LED beacon



Certification	ATEX, IECEx, TR CU, INMETRO, CCOE
Area classification	Zone 1, 2, 21, 22, weatherproof
ATEX/IEC classification	Ex II 2GD, Ex d IIC T6 Gb, Ex tb IIIC T70°C Db
Approvals	SIL2, Russian fire approval
Certified temperature	-55°C to +55°C
Operating temperature	-20°C to +55°C
Ingress protection	IP66 & IP67
Material	Stainless steel or alloy
Entries	Up to 4 x M20 or M25
Weight	Alloy: 2kg. Stainless steel: 3.8kg
Voltage	24-48Vdc
Light source	LED
Options	LED colour, lens guard, tag/duty label, telephone initiate, relay initiate, EOL resistor, body colour

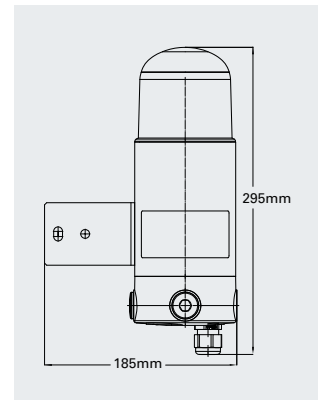


## ActiveLine GH5

### Ex nR Multicolour LED beacon



Certification	ATEX
Area classification	Zone 2, 22, weatherproof
ATEX/IEC classification	Ex II 3G, Ex nR IIC T6 Gc Ex II 3D, Ex tc IIIC T85°C Dc
Certified temperature	-20°C to +50°C
Ingress protection	IP66
Material	Polycarbonate
Entries	1 x M20 & 2 x blank plug M20
Weight	1.4kg
Voltage	24Vdc, 230Vac
Light source	Multicolour LED
Options	Flash function, LED colour

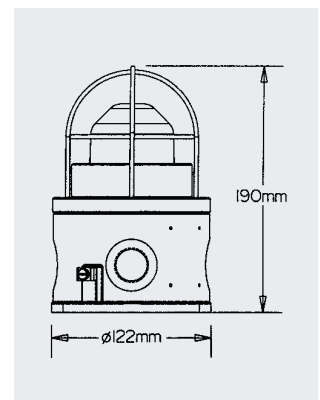


## SM87HXB

### 5 joule Ex d xenon beacon



Certification	ATEX, IECEx, cULus, CSA, TR CU, CQST, INMETRO, CCOE
Area classification	Zone 1, 2, 21, 22, weatherproof
ATEX/IEC classification	Ex II 2GD, Ex d IIC T5/T6 Gb Ex tb IIIC T95°C/T80°C/T65°C Db
UL/NEC classification	Class I, Div. 1, Groups C, D Class I, Zone 1, Aex d IIB, Exd IIB
Approvals	SIL2, Russian fire approval
Certified temperature	-55°C to +70°C
Ingress protection	IP66 & IP67, NEMA 4X & 6
Material	Stainless steel or alloy
Entries	Up to 4 x M20, M25, ½" NPT or ¾" NPT
Weight	Alloy: 2.0kg. Stainless steel: 3.8kg
Voltage	24-48Vdc, 110-254Vac
Light source	Xenon
Options	Lens colour, lens guard, tag/duty label, telephone initiate, relay initiate, EOL resistor, body colour



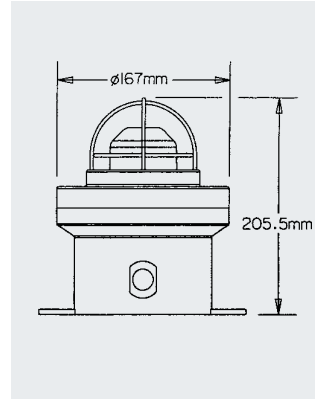
# Hazardous area beacons

## XB11

### 5 joule Ex d xenon beacon



Certification	ATEX, IECEx, cULus, TR CU, CQST, INMETRO, CCOE
Area classification	Zone 1, 2, 21, 22, weatherproof
ATEX/IEC classification	Ex II 2GD, Ex d IIB T4/T5/T6 Gb Ex tb IIIC T110°C/T85°C/T70°C Db
UL/NEC classification	Class I, Div. 2, Groups C, D Class I, Zone 1, AEx d IIB, Ex d IIB
Approvals	Russian fire approval, CSFM
Certified temperature	-55°C to +70°C
Ingress protection	IP66 & IP67, NEMA 4X & 6
Material	Corrosion free GRP
Entries	2 x M20 or ½" NPT
Weight	2.5kg
Voltage	24-48Vdc, 110-240Vac
Light source	Xenon
Options	Flash rate, lens colour, lens guard, mounting, earth continuity, tag/duty label, telephone initiate, body colour

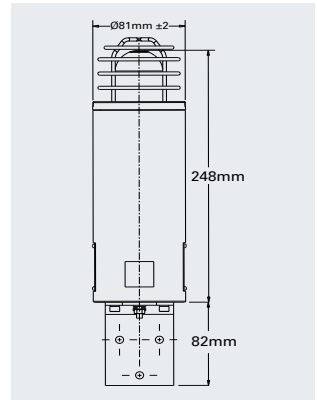


## XB9

### 5 joule Ex d xenon beacon



Certification	ATEX, IECEx, TR CU, CQST
Area classification	Zone 1, 2, weatherproof
ATEX/IEC classification	Ex II 2G, Ex d IIC T5/T6 Gb
Approvals	Russian fire approval
Certified temperature	-55°C to +55°C
Ingress protection	IP66 & IP67
Material	Corrosion free GRP
Entries	1 x M20, PG13.5, 3m cable tail
Weight	1.6kg
Voltage	12-60Vdc, 110-254Vac
Light source	Xenon
Options	Flash rate, lens colour, tag/duty label, body colour

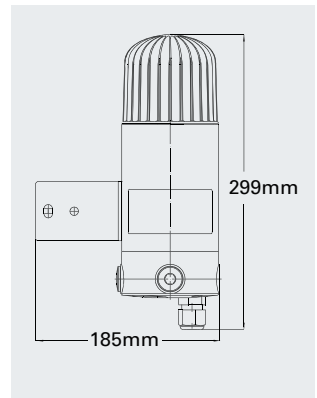


## BZ2/BD22

### 15 joule Ex nR xenon beacon



Certification	ATEX
Area classification	Zone 2, 22, weatherproof
ATEX/IEC classification	Ex II 3G, Ex nR IIC T5/T4 Gc Ex II 3D, Ex tc IIIC T85°C Dc
Certified temperature	-20°C to +50°C*
Ingress protection	IP66
Material	Polycarbonate
Entries	1 x M20 & 1 x blank plug
Weight	1.4kg
Voltage	12-24Vdc, 120-230Vac
Light source	Xenon
Options	Lens colour



\*Model dependent

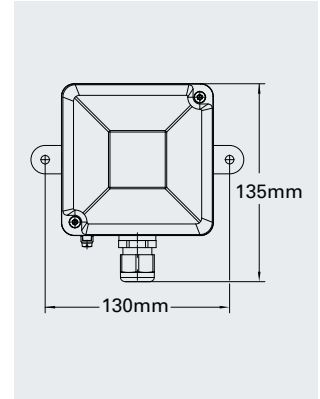
# Hazardous area beacons

## BDK22

### 5 joule Ex td xenon beacon



Certification	ATEX
Area classification	Zone 22, weatherproof
ATEX/IEC classification	Ex II 3D, Ex tc IIIB T85°C Dc
Certified temperature	-20°C to +50°C
Ingress protection	IP54
Material	Aluminium
Entries	1x M20
Weight	0.7kg
Voltage	24vdc, 230Vac
Light source	Xenon
Options	Lens colour

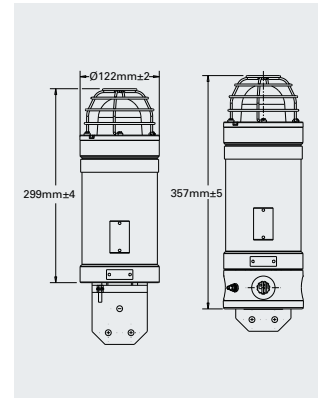


## XB10

### 10 & 15 joule Ex d(e) xenon beacons



Certification	ATEX, IECEx, TR CU, INMETRO, CCOE
Area classification	Zone 1, 2, weatherproof
ATEX/IEC classification	Ex II 2G, Ex d IIB T4 Gb, Ex II 2G, Ex de IIB T4 Gb
Approvals	Russian fire approval
Certified temperature	10 joule: -55°C to +65°C* 15 joule: -55°C to +50°C*
Ingress protection	IP66 & IP67
Material	Corrosion free GRP
Entries	Ex d: Up to 2 x M20, PG13.5 Ex de: 3 x M20
Weight	Ex d: 2.8kg. Ex de: 3.6kg
Voltage	24-48Vdc, 110-254Vac
Light source	Xenon
Options	Tube energy, lens colour, tag/duty label, telephone initiate, earth continuity, cable tail, body colour

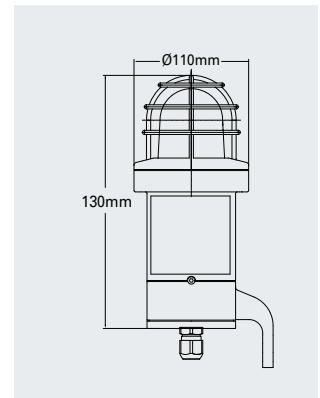


## dSLB 20

### 5 & 15 joule Ex de xenon beacons



Certification	ATEX, IECEx, TR CU, INMETRO
Area classification	Zone 1, 2, 21, 22, weatherproof
ATEX/IEC classification	Ex II 2GD, Ex d e IIC T5/T6 Gb Ex tb IIIC T80°C/T95°C Db
Certified temperature	-55°C to +55°C
Ingress protection	IP66 & IP67
Material	Aluminium
Entries	1x M20 & 1 x blank plug M20
Weight	2kg
Voltage	12-80Vdc, 115-230Vac
Light source	Xenon
Options	Tube energy, lens colour



\*Model dependent

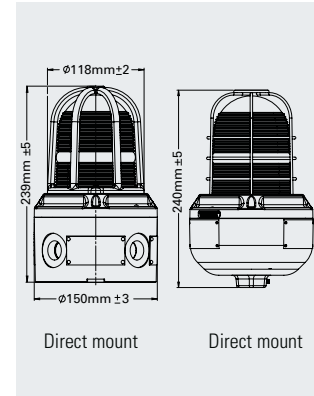
# Hazardous area beacons

## XB15

### 5, 10 & 15 joule Ex d xenon beacons



Certification	ATEX, IECEx, cULus, ULC, TR CU, CQST, INMETRO, CCOE
Area classification	Zone 1, 2, 21, 22, weatherproof
ATEX/IEC classification	Ex II 2GD, Ex db IIC T4/T5/T6 Gb Ex tb IIIC T135°C/T100°C/T85°C Db
UL/NEC classification	Class I, Div. 2, Groups A*, B*, C, D Class II, Div. 2, Groups F, G Class I, Zone 1 AEx d IIC* & IIB, Ex d IIB
Approvals	SIL1, EN54-23, Russian fire approval, CCCF, CSFM
Certified temperature	-55°C to +70°C
Ingress protection	IP66 & IP67, NEMA 4X & 6
Material	Corrosion free GRP
Entries	Up to 3* x M20, M25, ½" NPT or ¾" NPT
Weight	2.6kg - 3.0kg
Voltage	24-48Vdc, 110-254Vac
Light source	Xenon
Options	Tube energy, flash rate, lens colour, lens guard, mounting, tag & duty label, relay initiate, telephone initiate, body colour



Direct mount

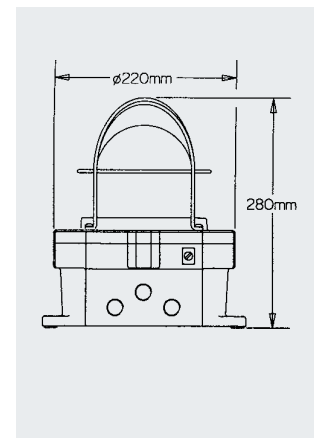
Direct mount

## XB4

### 21 joule Ex d(e) xenon beacon



Certification	ATEX, IECEx, cULus, TR CU, CCOE
Area classification	Zone 1, 2, 21, 22, weatherproof
ATEX/IEC classification	Ex II 2GD, Ex d IIC T4/T5/T6 Gb Ex tb IIIC T135°C/T100°C/T85°C Db Ex II 2GD, Ex de IIC Ex td A21 T4/T5
UL/NEC classification	Class I, Div. 1, Groups C, D Class I, Zone 1, Groups IIB & IIA
Approvals	Russian fire approval
Certified temperature	-55°C to +70°C
Ingress protection	IP66 & IP67, NEMA 4X & 6
Material	Stainless steel or alloy
Entries	Up to 4* x M20, M25, ½" NPT or ¾" NPT
Weight	Alloy: 6.6kg - 7.6kg. Stainless steel: 15kg - 16kg
Voltage	24-110Vdc, 110-254Vac
Light source	Xenon
Options	Flash rate, telephone initiate, relay initiate, lens guard, lens colour, tag/duty label, body colour

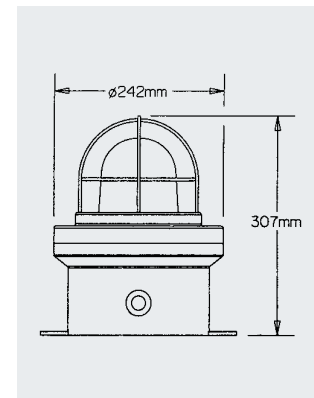


## XB12

### 21 joule Ex d xenon beacon



Certification	ATEX, IECEx, cULus, TR CU, CQST, INMETRO, CCOE
Area classification	Zone 1, 2, weatherproof
ATEX/IEC classification	Ex II 2G, Ex d IIB T4/T5/T6 Gb
UL/NEC classification	Class I, Div. 2, Groups C, D Class I, Zone 1, AEx d IIB, Ex d IIB
Approvals	Russian fire approval, CSFM, UL Marine
Certified temperature	-55°C to +70°C
Ingress protection	IP66 & IP67, NEMA 4X & 6
Material	Corrosion free GRP
Entries	2 x M20 or ½" NPT
Weight	7.0kg
Voltage	24Vdc, 110-240Vac
Light source	Xenon
Options	Body & lens colour, lens guard, tag & duty labels, telephone initiation, flash rate, mounting method, earth continuity



\*Model dependent

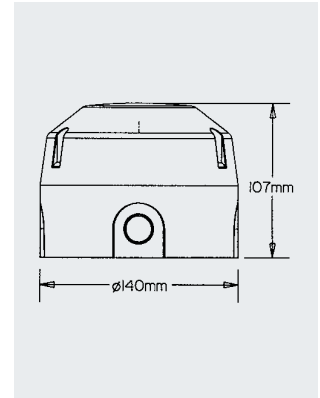
# Hazardous area beacons

## XB8

### 0.5 joule Ex ia xenon beacon



Certification	ATEX, IECEx, TR CU, CCOE
Area classification	Zone 0, 1, 2, weatherproof
ATEX/IEC classification	Ex II 1G, Ex ia IIC/IIB T4 Ga
Approvals	ABS
Certified temperature	-55°C to +60°C
Ingress protection	IP66 & IP67
Material	Body: corrosion free GRP. Lens: polycarbonate
Entries	Up to 3 x M20 via knockouts
Weight	1.4kg
Voltage	12-24Vdc
Light source	Xenon
Options	Lens colour, tag & duty label, body colour

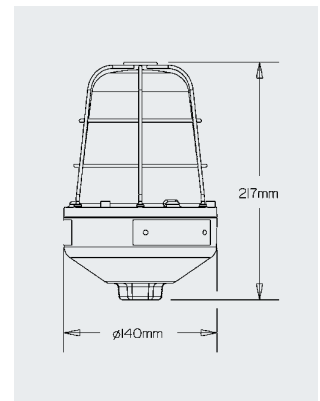


## XB16

### 10 joule UL xenon beacon



Certification	cULus
Area classification	Hazardous locations, ordinary locations
UL/NEC classification	Class I, Div. 2, Groups A, B, C, D Class II, Div. 2, Groups F, G
Approvals	UL1971, CSFM
Certified temperature	-55°C to +70°C
Ingress protection	IP66 & IP67, NEMA 4X & 6
Material	Corrosion free GRP
Entries	1 x 3/4" NPT
Weight	1.0kg
Voltage	24-48Vdc, 110-254Vac
Light source	Xenon
Options	Flash rate, lens colour, lens guard, tag & duty label, relay initiate, body colour

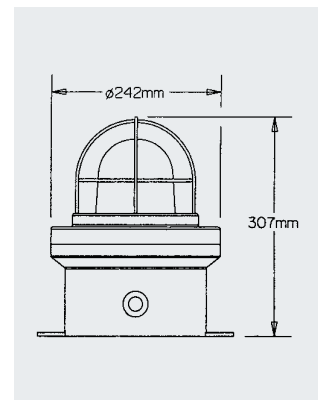


## TH12

### Ex d rotating beacon



Certification	ATEX, IECEx, TR CU, INMETRO
Area classification	Zone 1, 2, weatherproof
ATEX/IEC classification	Ex II 2G, Ex d IIB T3/T4 Gb
Certified temperature	-55°C to +70°C
Ingress protection	IP66 & IP67
Material	Corrosion free GRP
Entries	2 x M20
Weight	7.6kg
Voltage	12-24Vdc, 110-240Vac
Light source	Rotating tungsten halogen
Options	Rotation speed, lens colour, lens guard, mounting, tag & duty label, earth continuity, body colour





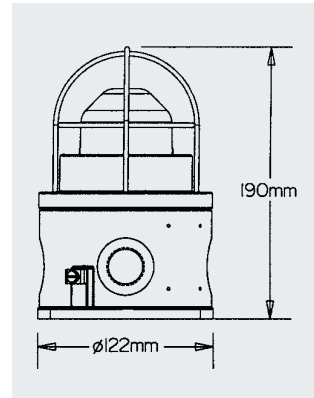
# Hazardous area beacons

## SM87LU1/LU3

### Ex d Steady beacons



Certification	ATEX, IECEx, cULus, CSA, TR CU, CQST, INMETRO
Area classification	Zone 1, 2, 21, 22, weatherproof
ATEX/IEC classification	SM87LU1: Ex II 2GD, Ex d IIC T6 Gb, Ex tb IIIC T85°C Db SM87LU3: Ex II 2GD, Ex d IIC T3/T4/T5/T6 Gb Ex tb IIIC T155°C/T130°C/T100°C/ T85°C Db
UL/NEC classification	Class I, Div. 1, Groups C, D Class I, Zone 1, Aex d IIB, Exd IIB
Approvals	Russian fire approval
Certified temperature	SM87LU1: -55°C to +55°C SM87LU3: -55°C to +70°C
Operating temperature	SM87LU1: -20°C to +55°C SM87LU3: -55°C to +70°C
Ingress protection	IP66 & IP67, NEMA 4X & 6
Material	Stainless steel or alloy
Entries	SM87LU1: Up to 3 x M20, M25, ½" NPT or ¾" NPT SM87LU3: Up to 4 x M20, M25, ½" NPT or ¾" NPT
Weight	Alloy: 2.5kg. Stainless steel: 3.8kg
Voltage	24-48Vdc, 110-254Vac
Light source	Filament, fluorescent
Options	Lens colour, lens guard, tag/duty label, body colour

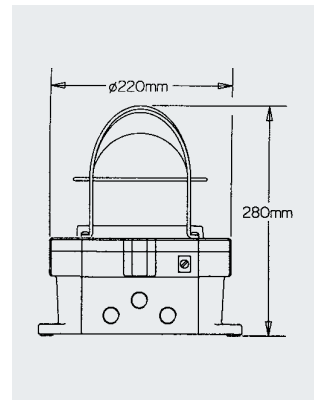


## FL4 & FB4

### Ex d(e) Steady beacons



Certification	ATEX, IECEx, cULus, TR CU
Area classification	Zone 1, 2, 21, 22, weatherproof
ATEX/IEC classification	FB4: Ex II 2GD, Ex d IIC T3/T4/T5 Gb Ex tb IIIC T185°C/T135°C/T100°C Db FB4: Ex II 2GD, Ex de IIC Ex tD A21 T3/T4/T5 FL4: Ex II 2GD, Ex d IIC T4/T5/T6 Gb Ex tb IIIC T135°C/T100°C/T85°C Db FL4: Ex II 2GD, Ex de IIC Ex tD A21 T4/T5/T6
UL/NEC classification	Class I, Div. 1, Groups C, D Class I, Zone 1, Groups IIB & IIA
Certified temperature	-55°C to +70°C
Operating temperature	FL4: -20°C to +70°C FB4: -55°C to +70°C
Ingress protection	IP66 & IP67, NEMA 4X & 6
Material	Stainless steel or alloy
Entries	Up to 4" x M20, M25, ½" NPT or ¾" NPT
Weight	Alloy: 6.5kg - 8.9kg Stainless steel: 14.9kg - 17.3kg
Voltage	24-48Vdc, 110-254Vac
Light source	Filament, fluorescent
Options	Lamp wattage, lens colour, lens guard, tag & duty labels, relay initiate, body colour



\*Model dependent

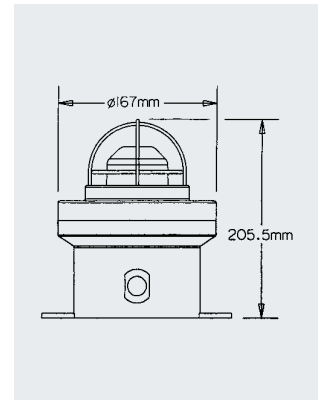
# Hazardous area beacons

## FB11 & FL11

### Ex d Steady beacons



Certification	ATEX, IECEx, cULus, TR CU, INMETRO
Area classification	Zone 1, 2, 21*, 22*, weatherproof
ATEX/IEC classification	Ex II 2GD, Ex d IIB T4/T5/T6 Gb Ex tb IIIC T110°C/T85°C/T70°C Db
UL/NEC classification	Class I, Div. 2, Groups C, D Class I, Zone 1, AEx d IIB, Ex d IIB
Approvals	Russian fire approval
Certified temperature	-55°C to +70°C
Operating temperature	FB11: -55°C to +70°C FL11: -20°C to +70°C
Ingress protection	IP66 & IP67, NEMA 4X & 6
Material	Corrosion free GRP
Entries	2 x M20 or ½" NPT
Weight	2.8kg
Voltage	24-48Vdc, 110-254Vac
Light source	Filament, fluorescent
Options	Lamp wattage, lens colour, lens guard, mounting, earth continuity, tag & duty labels, body colour

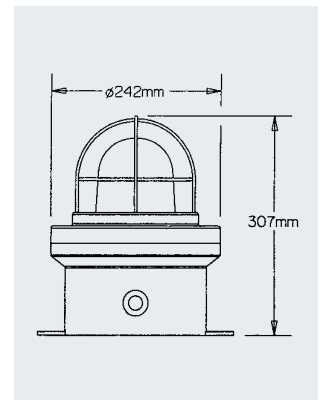


## FL12 & FB12

### Ex d Steady beacons



Certification	ATEX, IECEx, cULus, TR CU, INMETRO
Area classification	Zone 1, 2, weatherproof
ATEX/IEC classification	FB11: Ex II 2G, Ex d IIB T3/T4/T5 Gb FL11: Ex II 2G, Ex d IIB T4/T5/T6 Gb
UL/NEC classification	Class I, Div. 2, Groups C, D Class I, Zone 1, AEx d IIB, Ex d IIB
Approvals	Russian fire approval
Certified temperature	FB12: -55°C to +55°C FL12: -20°C to +70°C
Ingress protection	IP66 & IP67, NEMA 4X & 6
Material	Corrosion free GRP
Entries	2 x M20 or ½" NPT
Weight	7.2kg - 7.6kg
Voltage	24-48Vdc, 110-254Vac
Light source	Filament, fluorescent
Options	Lamp wattage, lens colour, lens guard, mounting, earth continuity, tag & duty labels, body colour

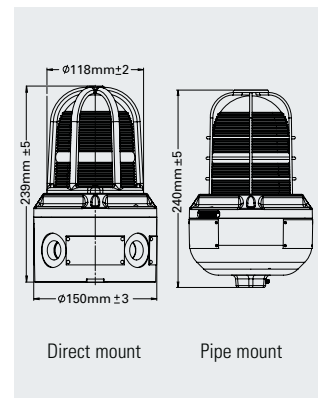


## FB15

### Ex d Steady beacon



Certification	ATEX, IECEx, cULus, TR CU, INMETRO
Area classification	Zone 1, 2, 21, 22, weatherproof
ATEX/IEC classification	Ex II 2GD, Ex db IIC T3/T4 Gb Ex tb IIIC T200°C/T135°C Db
UL/NEC classification	Class I, Div. 2, Groups A*, B*, C, D Class I, Zone 1 AEx d IIC* & IIB, Ex d IIB
Approvals	Russian fire approval, CSFM
Certified temperature	-55°C to +70°C
Ingress protection	IP66 & IP67, NEMA 4X & 6
Material	Corrosion free GRP
Entries	Up to 3* x M20, M25, ½" NPT or ¾" NPT
Weight	Pipe: 2.6Kg. Direct: 3.0Kg
Voltage	24-48Vdc, 110-254Vac
Light source	Filament
Options	Lamp wattage, lens colour, lens guard, mounting, tag & duty label, lens colour



\*Model dependent