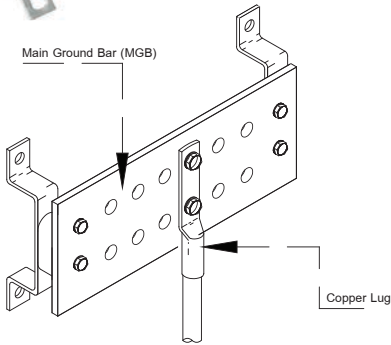
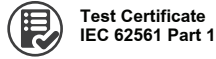


## Ground Bar



### Main Ground Station

Code No.	No. of Hole	Ø Hole (mm)	Busbar (mm)	Dimensions (mm)			Weight (kg)
				L	W	H	
GBPGSS-6D	12	14.3	100x350x6	148	350	75	1.80
GBPGSS-8D	16	14.3	100x440x6	148	440	75	2.50
GBPGSS-12D	24	14.3	100x610x6	148	610	75	3.60



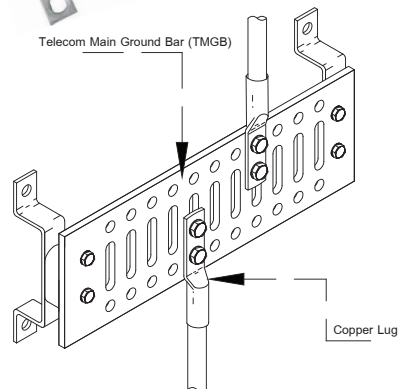
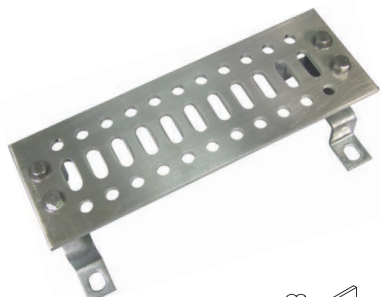
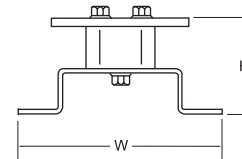
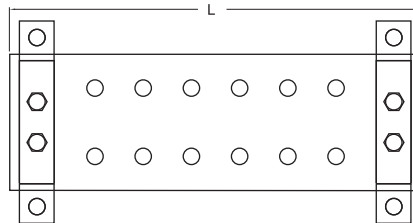
**Test Certificate**  
IEC 62561 Part 1



**Material**  
Copper - 99.9%  
Tin Plated Copper - BS EN 13601  
Support - Hot Dip Galvanized with Insulator  
Bolt - Stainless Steel



**Application**  
Connect ground conductor wires to earth electrode



### Telecommunication / Communication Ground Station

Code No.	No. of Hole	Ø Hole (mm)	Busbar (mm)	Dimensions (mm)			Weight (kg)
				L	W	H	
GBCGSS-200	6	10	100x200x6	148	200	83	0.86
GBCGSS-300	11	10	100x300x6	148	300	83	1.60
GBCGSS-400	15	10	100x400x6	148	400	83	1.80
GBCGSS-450	18	10	100x450x6	148	450	83	2.40
GBCGSS-600	24	10	100x600x6	148	600	83	3.20



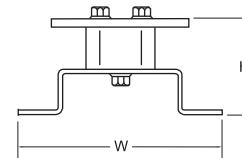
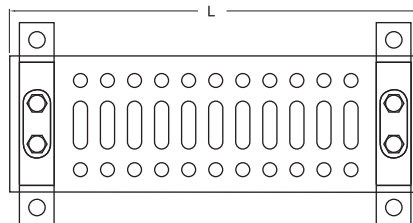
**Test Certificate**  
IEC 62561 Part 1



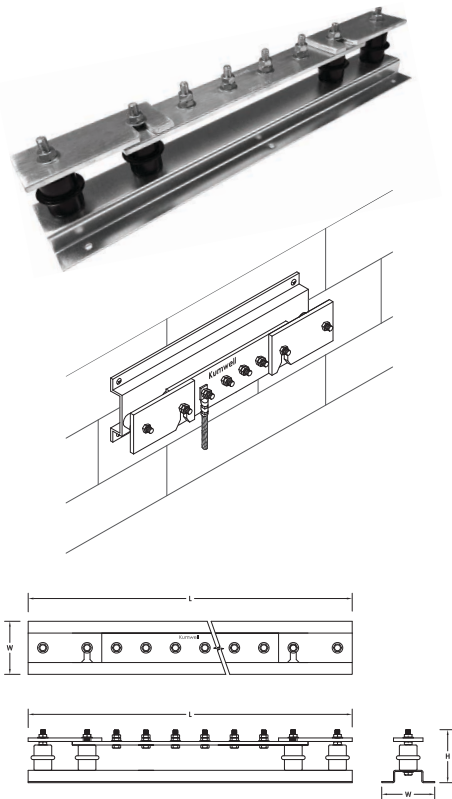
**Material**  
Copper - 99.9%  
Tin Plated Copper - BS EN 13601  
Support - Hot Dip Galvanized with Insulator  
Bolt - Stainless Steel



**Application**  
Connect ground conductor wires to earth electrode





## Ground Bar




### Twin Disconnecting Link

Code No.	No. of Terminal	Dimensions (mm)			Weight (kg)
		L	W	H	
GBDL 42	4	450	90	90	2.80
GBDL 62	6	550	90	90	2.80
GBDL 82	8	575	90	90	3.20
GBDL 102	10	650	90	90	3.80
GBDL 122	12	800	90	90	4.20
GBDL 142	14	900	90	90	4.60
GBDL 162	16	1000	90	90	5.00
GBDL 182	18	1100	90	90	5.40
GBDL 202	20	1200	90	90	6.00
GBDL 222	22	1350	90	90	6.40
GBDL 242	24	1450	90	90	6.80
GBDL 262	26	1550	90	90	7.20
GBDL 282	28	1650	90	90	7.90
GBDL 302	30	1850	90	90	8.30

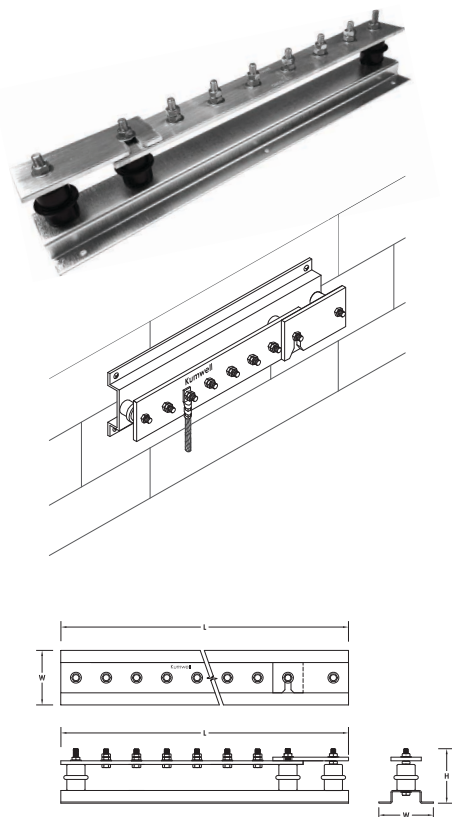
 **Test Certificate**  
IEC 62561 Part 1

 **Material**  
Busbar - Tin Plated Copper - BS EN 13601  
Support - Zinc Plated Steel with Insulator  
Bolt M8 - Stainless Steel. All the above products consist of 50x6 mm copper bar.  
Fix using wood screws 1½" x no.10

 **Application**  
Suitable for bonding and testing point in grounding system.


**Note** : Special Size Length can be requested.


### Single Disconnecting Link



Code No.	No. of Terminal	Dimensions (mm)			Weight (kg)
		L	W	H	
GBDL 41	4	375	90	90	1.90
GBDL 61	6	475	90	90	2.30
GBDL 81	8	575	90	90	2.70
GBDL 101	10	725	90	90	3.30
GBDL 121	12	825	90	90	3.70
GBDL 141	14	925	90	90	4.10
GBDL 161	16	1025	90	90	4.50
GBDL 181	18	1125	90	90	4.90
GBDL 201	20	1275	90	90	5.50
GBDL 221	22	1375	90	90	5.90
GBDL 241	24	1475	90	90	6.30
GBDL 261	26	1575	90	90	6.70
GBDL 281	28	1675	90	90	7.40
GBDL 301	30	1775	90	90	7.80

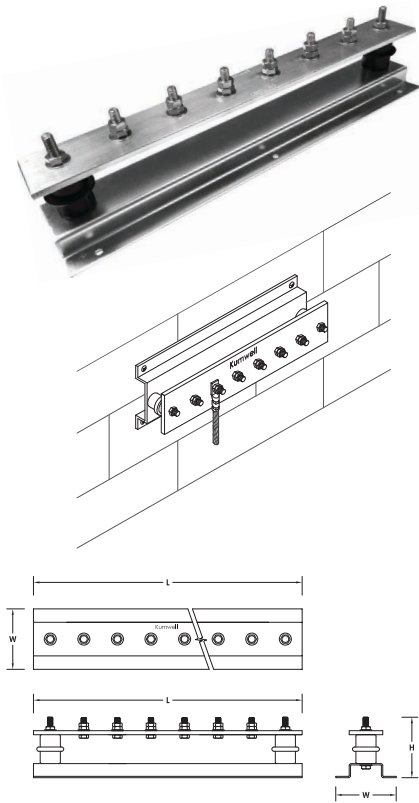
 **Test Certificate**  
IEC 62561 Part 1

 **Material**  
Busbar - Tin Plated Copper - BS EN 13601  
Support - Zinc Plated Steel with Insulator  
Bolt M8 - Stainless Steel. All the above products consist of 50x6 mm copper bar.  
Fix using wood screws 1½" x no.10

 **Application**  
Suitable for bonding and testing point in grounding system.

**Note** : Special Size Length can be requested.

## Ground Bar



### Without Disconnecting Link

Code No.	No. of Terminal	Dimensions (mm)			Weight (kg)
		L	W	H	
GBDL 40	4	300	90	90	1.50
GBDL 60	6	400	90	90	1.80
GBDL 80	8	500	90	90	2.20
GBDL 100	10	650	90	90	2.80
GBDL 120	12	750	90	90	3.20
GBDL 140	14	850	90	90	3.60
GBDL 160	16	950	90	90	4.00
GBDL 180	18	1050	90	90	4.40
GBDL 200	20	1200	90	90	5.00
GBDL 220	22	1300	90	90	5.40
GBDL 240	24	1400	90	90	5.80
GBDL 260	26	1500	90	90	6.20
GBDL 280	28	1600	90	90	6.90
GBDL 300	30	1700	90	90	7.30



Test Certificate  
IEC 62561 Part 1



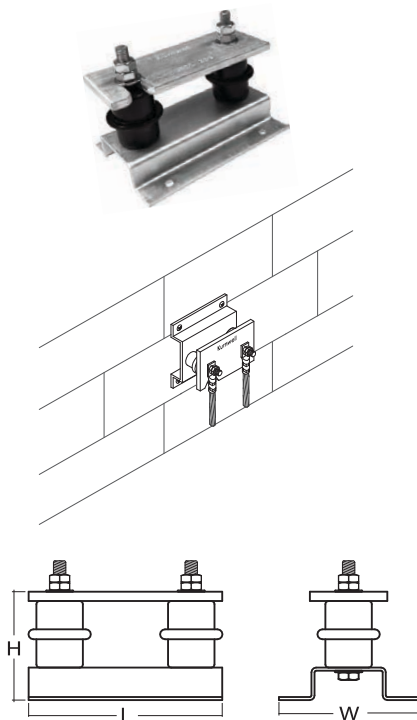
Application  
Suitable for bonding and testing point in  
grounding system.



Material  
Busbar - Tin Plated Copper - BS EN 13601  
Support - Zinc Plated Steel with Insulator  
Bolt M8 - Stainless Steel. All the above  
products consist of 50x6 mm copper bar.  
Fix using wood screws 1½" x no.10

**Note :** Special Size Length can be requested.

### Disconnecting Link



Code No.	Dimensions (mm)			Weight (kg)
	L	W	H	
GBDL 253	125	90	90	0.74



Test Certificate  
IEC 62561 Part 1

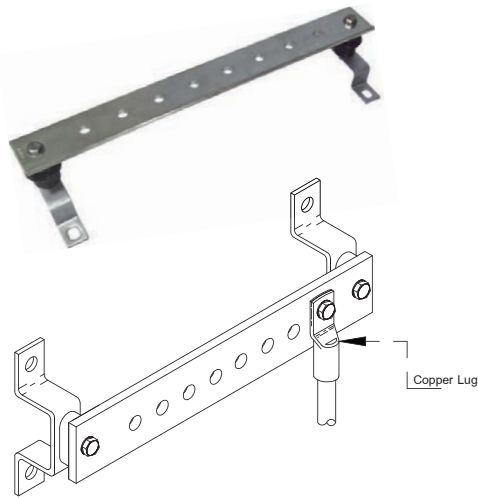


Application  
Suitable for bonding and testing point in  
grounding system.



Material  
Tin Plated Copper Bar - BS EN 13601  
Support - Zinc Plated Steel with Insulator  
STUD M8 - Stainless Steel. All the above  
products consist of 50x6 mm copper bar.  
Fix using wood screws 1½" x no.10

## Ground Bar



### For Bonding and Equipotential

Code No.	No. of Hole	Ø Hole (mm)	Busbar (mm)	Dimensions (mm)			Weight (kg)
				L	W	H	
GBPGSS-6	6	14.3	50x350x6	350	148	75	1.28
GBPGSS-8	8	14.3	50x440x6	440	148	75	1.50
GBPGSS-12	12	14.3	50x610x6	610	148	75	1.80



**Test Certificate**  
IEC 62561 Part 1



**Material**  
Tin Plated Copper - BS EN 13601  
Support - Hot Dip Galvanized with Insulator  
Bolt - Stainless Steel



**Application**  
Connect ground conductor wires to earth electrode

