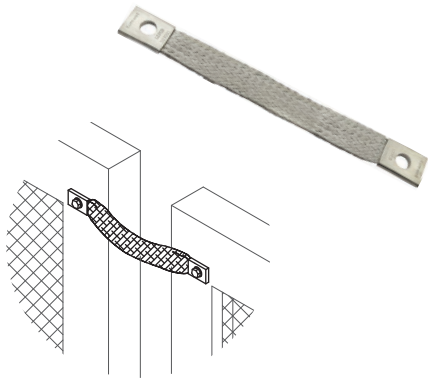



Flexible Copper Braid Bond

Copper Braid with Tinned (1 Hole)

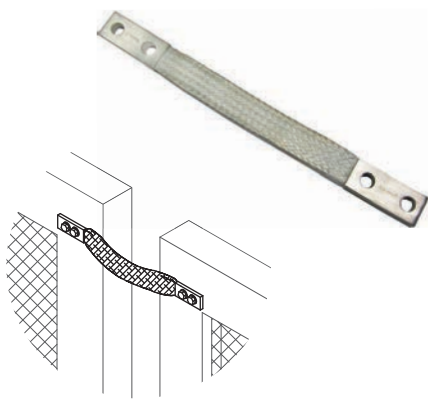


Code No.	Amp Rating (A)	No. of Layer	Length (mm)	Cross Section (mm ²)	Weight (kg)
LZFCB 502001	200	1	200	50	0.12
LZFCB 503001	200	1	300	50	0.16
LZFCB 504001	200	1	400	50	0.21


 **Material**
High conductivity tinned copper wire.


 **Application**
gate, fence, etc., where flexibility is required or the bond is subject to movements.

Copper Braid with Tinned (2 Hole)

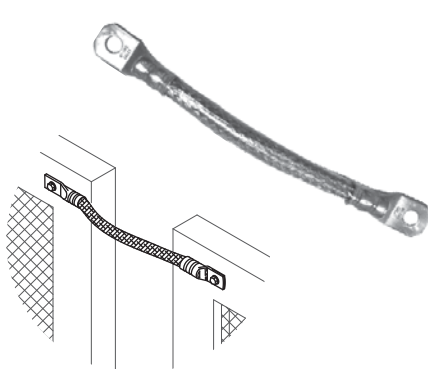


Code No.	Amp Rating (A)	No. of Layer	Length (mm)	Cross Section (mm ²)	Weight (kg)
LZFTB 353501	150	1	350	35	0.15
LZFTB 503501	200	1	350	50	0.18
LZFTB 703501	250	1	350	70	0.25
LZFTB 953501	300	1	350	95	0.35
LZFTB 1203501	360	1	350	120	0.42
KGZFCB 39533	700	3	386	150	0.60

 **Material**
High conductivity tinned copper wire.


 **Application**
Suitable for bonding of metal door, gate, fence, etc., where flexibility is required or the bond is subject to movements.

Copper Braid with Tinned (Round Type)



Code No.	Amp Rating (A)	Length (mm)	Cross Section (mm ²)	Weight (kg)
GRB20-350	480	350	150	0.75
GRB20-1000	480	1000	150	2.15

 **Material**
High conductivity tinned copper wire.

 **Application**
gate, fence, etc., where flexibility is required or the bond is subject to movements.


*Special size can be requested.

Expansion Braid Bond



Code No.	Length (L) (mm)	Cross Section (mm ²)	Weight (kg)
LXEBC 200	200	35	0.42
LXEBC 300	300	35	0.62

 **Material**
High conductivity copper wire with tinned.
Bolt - Stainless Steel

 **Application**
Suitable for bonding of metal door, gate, fence, etc., where flexibility is required or the bond is subject