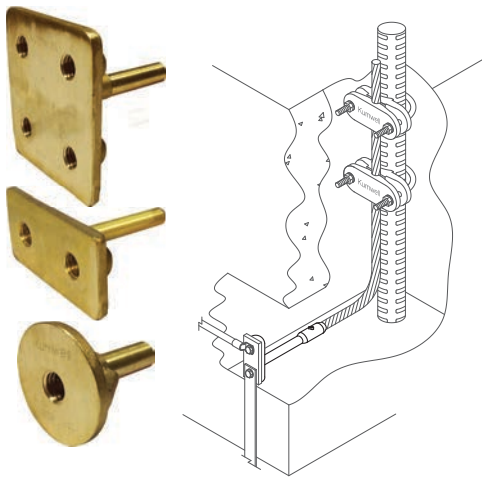


## Earth Point



### Earth Point

Code No.	No. of Hole	Stud LxWxH (in)	Weight (kg)
GXEP 120(1)	1	55xØ50	0.30
GXEP 120(2)	2	76x82.5x41	0.30
GXEP 120(4)	4	76x82.5x82.5	0.60



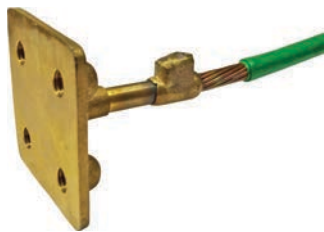
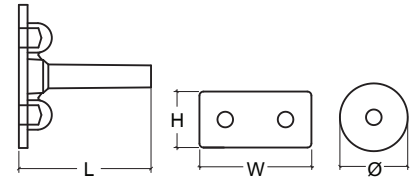
Test Certificate  
IEC 62561 Part 1



Material  
Copper Alloy - BS EN 1982



Application  
Connect rebar to earth point



### Earth Point with Prewelding

Code No.	No. of Hole	Cable with PVC		Weight (kg)
		Cable Size (mm <sup>2</sup> )	Length (mm)	
GXEP 1201-500	1	70	500	0.77
GXEP 1202-500	2	70	500	0.72
GXEP 1202-1000	2	70	1000	1.10
GXEP 1202-3000	2	70	3000	2.50
GXEP 1204-500	4	70	500	0.90
GXEP 1204-1000	4	70	1000	1.30
GXEP 1204-3000	4	70	3000	2.20



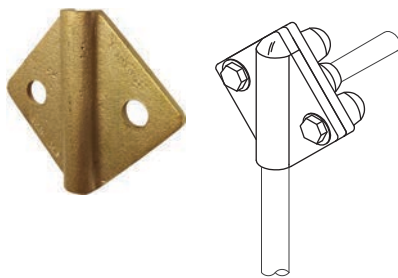
Test Certificate  
IEC 62561 Part 1



Material  
Copper Alloy - BS EN 1982  
Cable - Stranded Copper with Green PVC cover  
Connection - Exothermic Welding



Application  
Connect rebar to earth point



### Front Cover

Code No.	Cable Size (mm <sup>2</sup> )	Earth Point (Code No.)	Weight (kg)
GXEP 120B	70	GXEP 120(4)	0.25



Material  
Copper Alloy - BS EN 1982



Application  
Fix conductor on earth point

\*Special cable's size of earth point with prewelding can be requested.

### Stainless Steel Earth Point



Code No.	Conductor Length (L)	Thread Size	Conductor (Ø) (mm)
GXEP 801-SS-M10-150	150	M10	10
GXEP 801-SS-M10-400	400	M10	10
GXEP 801-SS-M10-600	600	M10	10



Material  
Body : Stainless Steel 304  
Tail : Galvanized Steel

**Note** : IEC has recommended to use double connector for every connection to earth point for safety and reliability of the system.