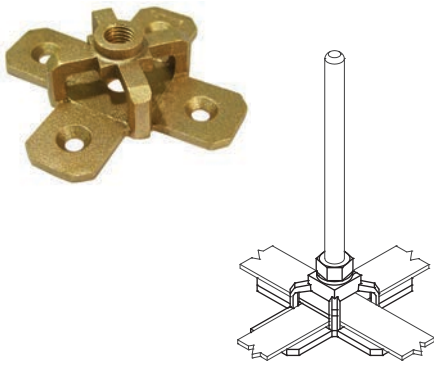


Flat Saddle



Code No.	Thread Size (in)	Maximum Conductor Width (mm)	Material	Weight (kg)
LFLS 58	5/8	31	Copper Alloy	0.49
LFLS 34	3/4	31	Copper Alloy	0.48
LFLS 58A	5/8	31	Aluminium Alloy	0.15
LFLS 34A	3/4	31	Aluminium Alloy	0.15



Test Certificate
IEC 62561 Part 1

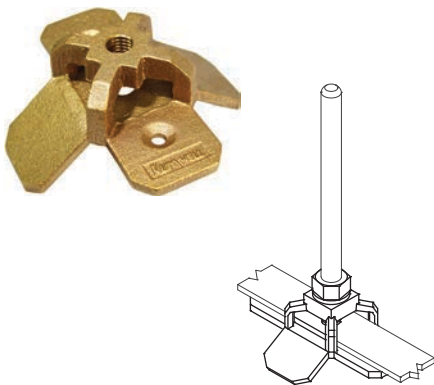


Material
Copper Alloy - BS EN 1982
Aluminium Alloy - BS 2898



Application
Support air terminal to connect with copper tape conductors.

Ridge Saddle



Code No.	Thread Size (in)	Maximum Conductor Width (mm)	Material	Weight (kg)
LRIS 58	5/8	31	Copper Alloy	0.60
LRIS 34	3/4	31	Copper Alloy	0.58
LRIS 58A	5/8	31	Aluminium Alloy	0.20
LRIS 34A	3/4	31	Aluminium Alloy	0.18



Test Certificate
IEC 62561 Part 1

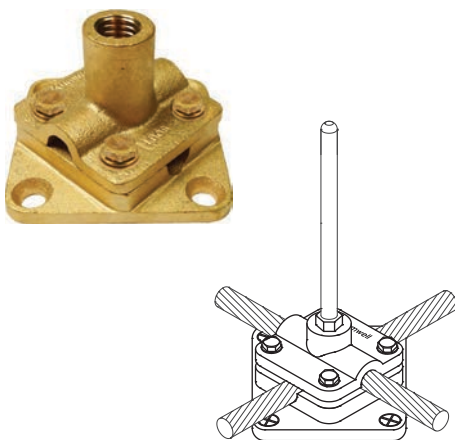


Material
Copper Alloy - BS EN 1982
Aluminium Alloy - BS 2898



Application
Support air terminal to connect with copper tape conductors.

Double Base Saddle



Code No.	Thread Size (in)	Cable Size (mm ²)	Material	Weight (kg)
LDOS 58	5/8	50-70	Copper Alloy	0.66
LDOS 34	3/4	50-70	Copper Alloy	0.66
LDOS 58C120	5/8	95-120	Copper Alloy	0.69
LDOS 34C120	3/4	95-120	Copper Alloy	0.69
LDOS 58A	5/8	50-70	Aluminium Alloy	0.20
LDOS 34A	3/4	50-70	Aluminium Alloy	0.19



Test Certificate
IEC 62561 Part 1



Material
Copper Alloy - BS EN 1982, Bolt - Brass
Aluminium Alloy - BS 2898,
Bolt - Stainless Steel



Application
Support air terminal to connect with copper stranded or solid conductors.