

Copper C-Clamp



Code No.	Cable Size (mm ²)		Weight (kg)	Hydraulic crimping tools		
	Run	Tap		HCT-S1	HCT-M1	HCT-P1
CCC 6-6	6-2.5	6-1.5	0.01	-	-	-
CCC 10-10	10	10-1.5	0.01	MC 10	MC 10	-
CCC 16-16	16	16-1.5	0.02	MC 25	MC 25	-
CCC 25-10	25	10-1.5	0.02	MC 25	MC 25	-
* CCC 25-25	25	25-10	0.02	MC 25	MC 25	-
CCC 35-16	35	16-1.5	0.04	MC 35	MC 35	-
* CCC 35-35	35	35-10	0.04	MC 35	MC 35	-
CCC 50-25	50	25-4	0.08	MC 70	MC 70	-
* CCC 50-50	50	50-35	0.09	MC 70	MC 70	-
CCC 70-35	70	35-4	0.08	MC 70	MC 70	-
* CCC 70-70	70	70-35	0.08	MC 70	MC 70	-
CCC 95-35	95	35-4	0.13	-	MC 95	MC 95
* CCC 95-95	95	95-50	0.12	-	MC 95	MC 95
* CCC 120-120	120	120-25	0.17	-	MC 185	MC 185
* CCC 150-150	150	150-25	0.13	-	MC 185	MC 185
* CCC 185-95	185	95-25	0.13	-	MC 185	MC 185
CCC 185-185	185	185-120	0.23	-	-	MC 300
CCC 240-70	240	70-35	0.22	-	-	MC 300
CCC 240-120	240	120-95	0.24	-	-	MC 300
CCC 240-240	240	240-120	0.32	-	-	MC 300
CCC 300-300	300	300-120	0.28	-	-	MC 300



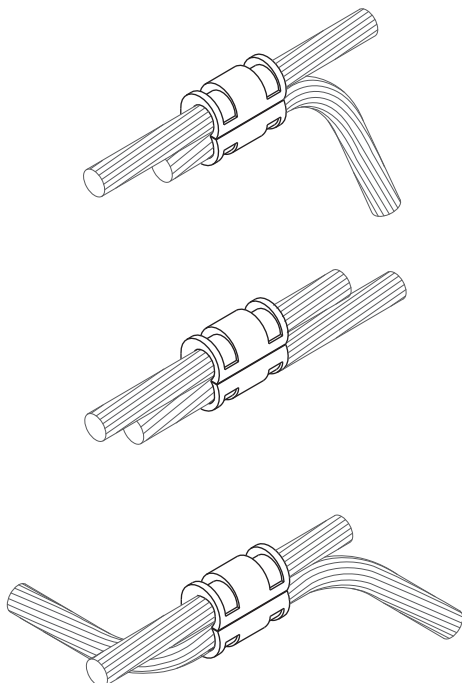
Test Certificate
IEC 62561 Part 1
UL 467



Material
High purity copper profiles



Application
Suitable for copper cable connection in grounding and lightning protection by using hydraulic crimping tools, HCT-S1, HCT-M1 and HCT-P1



Note : “ * ” means to meet UL Listed