

Concrete Inspection Pit




GXCIP

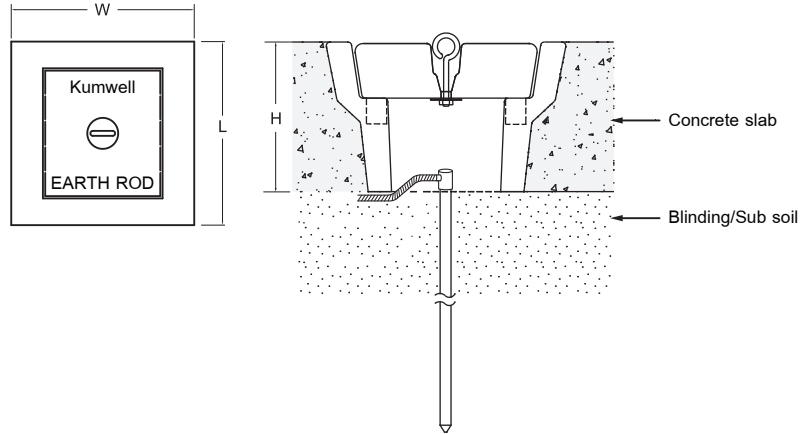
Standard Type

Code No.	Dimensions (mm)			Weight (kg)
	L	W	H	
GXCIP	310	310	192	21.5

 **Test Certificate**
IEC 62561 Part 5 - Heavy Duty Type

 **Material**
Concrete

 **Application**
Inspection and Testing point in grounding system.
Provide high compressive strength up to 60,000 kN (6,000kg).



Note : Special Size and color cover can be requested.


Cast Iron Lid




GXCIP-H

Code No.	Dimensions (mm)			Weight (kg)
	L	W	H	
GXCIP-H	310	310	192	25.5

 **Test Certificate**
IEC 62561 Part 5 - Heavy Duty Type

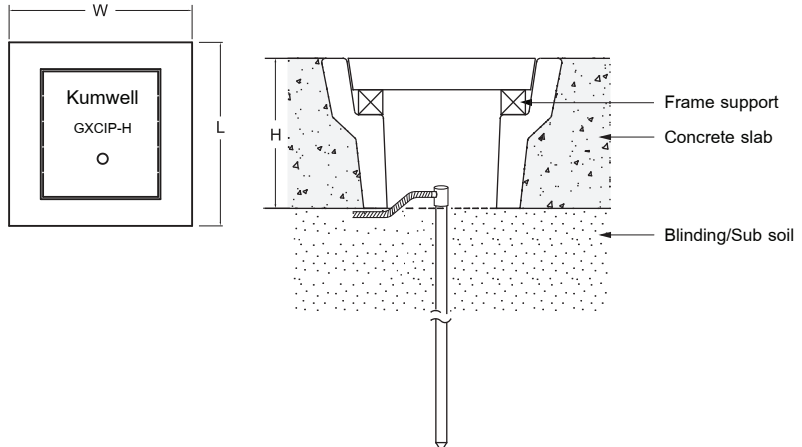
 **Material**
Body - Concrete
Cover - Cast iron steel with epoxy gray color
Frame - Mild Steel

 **Application**
Inspection and Testing point in grounding system.
Provide high compressive strength up to 125,000 kN (12,500kg).

Cover



Frame Support



Note : Standard Color - Grey

Concrete Inspection Pit



Generally the large size of concrete pit are in heavy single piece (> 100 kg) and may need mobile crane for transportation and installation at-site.

Hence we innovate the stackable pit which each part is easy to carry by man as well as still keep high compressive strength up to 60 kN (6,000 kg).

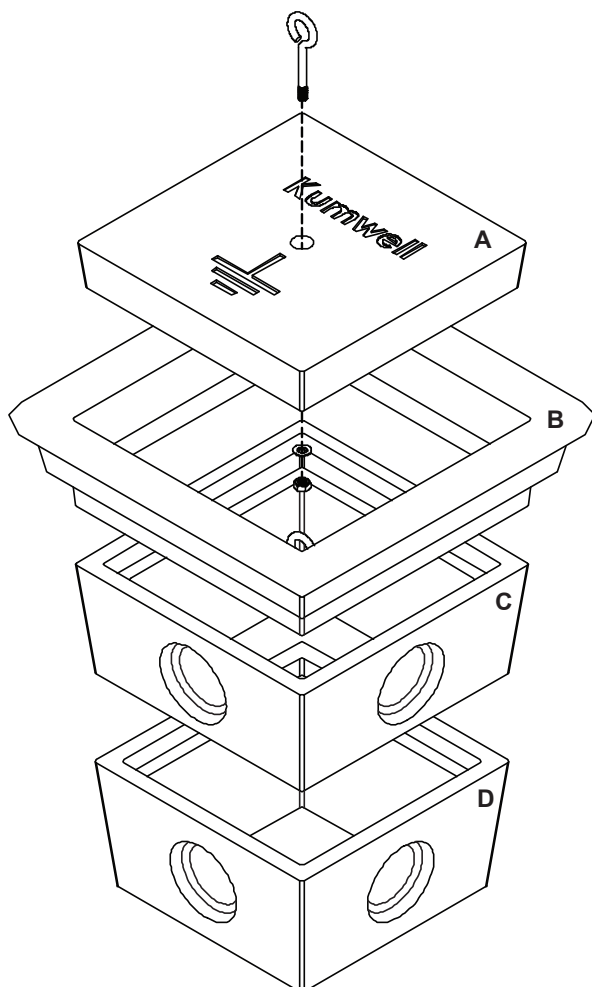
Code No.	Dimensions (mm)			Assembly Part	Total Weight (kg)
	W	D	H		
GXCIP-404050-4P	400	400	500	4	Approx. 60
GXCIP-505050-4P	500	500	500	4	Approx. 92.5



Test Certificate
IEC 62561 Part 5 - Heavy Duty Type



Material
Concrete



Part	Code	GXCIP-404050-4P	GXCIP-505050-4P
Concrete Lid (A)		13 kg	25 kg
Upper Part (B)		19 kg	25 kg
Body 1 (C)		11 kg	22 kg
Body 2 (D)		17 kg	20 kg

Note : Kumwell stackable pit provide safety load weight for workers and saving for transportation cost.

One man can do it, every parts A,B,C,D are below 30 kg easy to carry by a man and installation at- site.