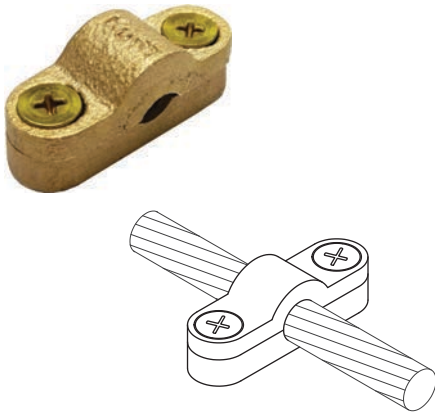


## Cable Support



Code No.	Cable Size (mm <sup>2</sup> )	Material	Weight (kg)
LCAS 25-35	25-35	Copper Alloy	0.06
LCAS 50-70	50-70	Copper Alloy	0.06
LCAS 95-120	95-120	Copper Alloy	0.08
LCAS 150-185	150-185	Copper Alloy	0.10
LCAS 240-300	240-300	Copper Alloy	0.17
LCAS 25-35T	25-35	Tinned Copper Alloy	0.06
LCAS 50-70T	50-70	Tinned Copper Alloy	0.06
LCAS 95-120T	95-120	Tinned Copper Alloy	0.08
LCAS 25-35A	25-35	Aluminium Alloy	0.02
LCAS 50-70A	50-70	Aluminium Alloy	0.02
LCAS 95-120A	95-120	Aluminium Alloy	0.03
LCASD-8-10A	Aluminium Ø 8-10 mm	Aluminium Alloy	0.03



Test Certificate  
IEC 62561 Part 4

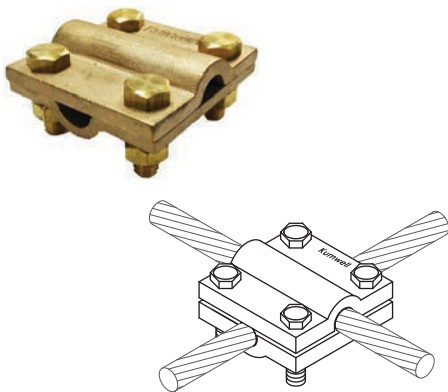


Material  
Copper Alloy - BS EN 1982, Bolt - Brass  
Tinned Copper Alloy, Bolt - Stainless Steel  
Aluminium Alloy - BS 2898,  
Bolt - Stainless Steel



Application  
Fix copper stranded or solid conductors.

## Cable Cross Clamp



Code No.	Cable Size (mm <sup>2</sup> )	Material	Weight (kg)
LCAC 35-70	70	Copper Alloy	0.32
LCAC 95-120	95-120	Copper Alloy	0.34
LCAC 150-240	150-240	Copper Alloy	0.62
LCAC 35-70A	70	Aluminium Alloy	0.10
LCAC 95-120A	95-120	Aluminium Alloy	0.16



Test Certificate  
IEC 62561 Part 1

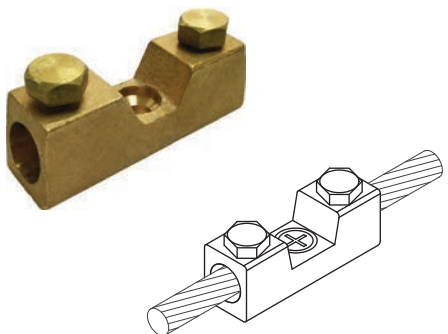


Material  
Copper Alloy - BS EN 1982, Bolt - Brass  
Aluminium Alloy - BS 2898,  
Bolt - Stainless Steel



Application  
Connect copper stranded or solid conductors.

## Cable Test Connector



Code No.	Cable Size (mm <sup>2</sup> )	Material	Weight (kg)
LCATT 35-120	35-120	Copper Alloy	0.192
LCATT 35-120T	35-120	Tinned Copper Alloy	0.192
LCATT 35-120A	35-120	Aluminium Alloy	0.058



Test Certificate  
IEC 62561 Part 1



Material  
Tinned Copper Alloy, Bolt - Stainless Steel  
Aluminium Alloy - BS 2898,  
Bolt - Stainless Steel



Application  
Connect copper stranded or solid conductors.