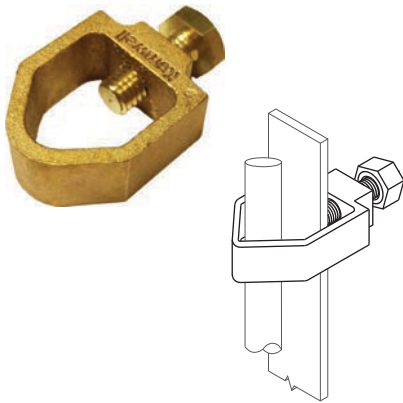
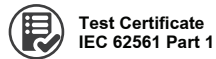


Rod to Tape Clamp



Code No.	Rod Diameter (Ø)		Max. Tape Size	Weight
	(in)	(mm)	(mm)	(kg)
GXCT 127-2512	1/2	12.7	25x12	0.12
GXCT 127-2620	1/2	12.7	26x20	0.13
GXCT 142-2512	5/8	14.2	25x12	0.12
GXCT 142-2618	5/8	14.2	26x18	0.13
GXCT 142-302	5/8	14.2	30x2	0.13
GXCT 142-4012	5/8	14.2	40x12	0.14
GXCT 142-518	5/8	14.2	51x8	0.17
GXCT 172-2510	3/4	17.2	25x10	0.12
GXCT 172-2610	3/4	17.2	26x10	0.12
GXCT 172-302	3/4	17.2	30x2	0.13
GXCT 172-5112	3/4	17.2	51x12	0.17
GXCT 231-2610	1	23.1	26x10	0.13



Test Certificate
IEC 62561 Part 1

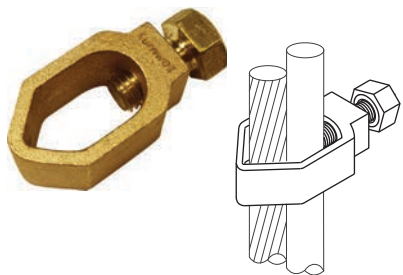


Material
Copper Alloy - BS EN 1982
Bolt - Brass



Application
Clamp ground rod with copper tape conductor.

Rod to Cable Clamp



Code No.	Rod Diameter (Ø)		Cable Size	Weight
	(in)	(mm)	(mm ²)	(kg)
GXC 95-35	3/8	9.5	6-35	0.05
GXC 127-50	1/2	12.7	16-50	0.08
GXC 142-70	5/8	14.2	16-70	0.09
GXC 172-95	3/4	17.2	35-95	0.12
GXC 231-120	1	23.1	70-120	0.14



Test Certificate
IEC 62561 Part 1

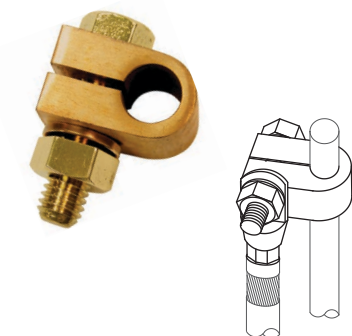


Material
Copper Alloy - BS EN 1982
Bolt - Brass



Application
Clamp ground rod with copper conductor.

Rod to Cable Lugs Clamp



Code No.	Rod Diameter (Ø)		Weight
	(in)	(mm)	(kg)
GXCL 127	1/2	12.7	0.25
GXCL 142	5/8	14.2	0.27
GXCL 172	3/4	17.2	0.32
GXCL 231	1	23.1	0.41



Test Certificate
IEC 62561 Part 1

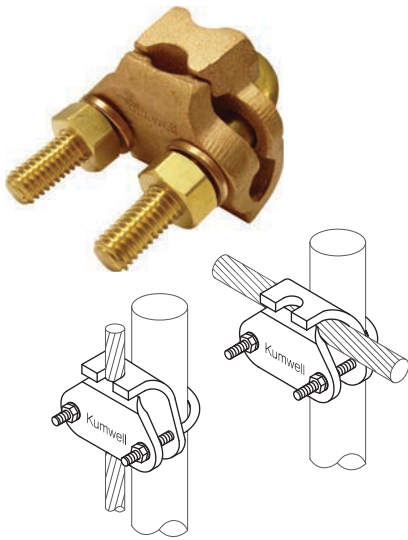


Material
Copper Alloy - BS EN 1982
Bolt, Nut - Brass



Application
Clamp rod to cable lug conductor.

Rod to Cable Clamp



Code No.	Rod Diameter (Ø)		Cable Size (mm ²)	Weight (kg)
	(in)	(mm)		
GXCCC 142-95	5/8	14.2	16-95	0.32
GXCCC 142-185	5/8	14.2	70-185	0.37
GXCCC 142-300	5/8	14.2	150-300	0.53
GXCCC 172-70	3/4	17.2	16-70	0.32
GXCCC 172-150	3/4	17.2	70-150	0.37
GXCCC 172-300	3/4	17.2	150-300	0.53
GXCCC 231-70	1	23.1	16-70	0.37
GXCCC 231-150	1	23.1	70-150	0.32
GXCCC 231-300	1	23.1	150-300	0.53



Test Certificate
IEC 62561 Part 1

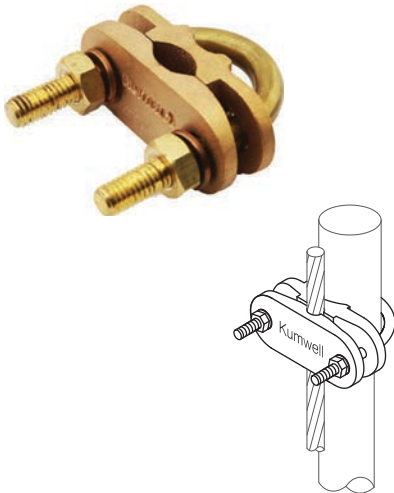


Material
Copper Alloy - BS EN 1982
Bolt, Nut - Brass



Application
Clamp ground rod through or parallel to cable conductor

Rod to Cable Clamp



Code No.	Rod Diameter (Ø)		Cable Size (mm ²)	Weight (kg)
	(in)	(mm)		
GXCC 127-25	1/2	12.7	10-25	0.21
GXCC 127-70	1/2	12.7	35-70	0.21
GXCC 142-95	5/8	14.2	16-95	0.22
GXCC 142-185	5/8	14.2	70-185	0.24
GXCC 142-300	5/8	14.2	150-300	0.31
GXCC 172-70	3/4	17.2	16-70	0.22
GXCC 172-150	3/4	17.2	70-150	0.24
GXCC 172-300	3/4	17.2	150-300	0.31
GXCC 231-70	1	23.1	16-70	0.31
GXCC 231-150	1	23.1	70-150	0.38
GXCC 231-300	1	23.1	150-300	0.40



Test Certificate
IEC 62561 Part 1



Material
Copper Alloy - BS EN 1982
U Bolt, Nut - Brass



Application
Clamp ground rod parallel to cable conductor

Rod or Pipe to Two Cable Clamp

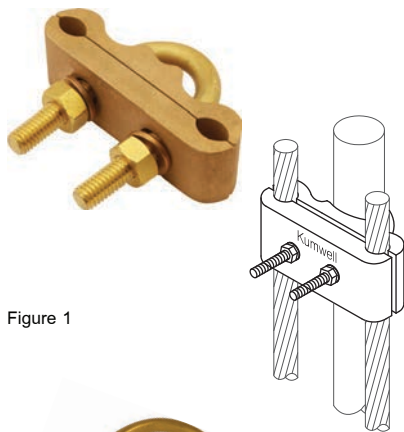


Figure 1

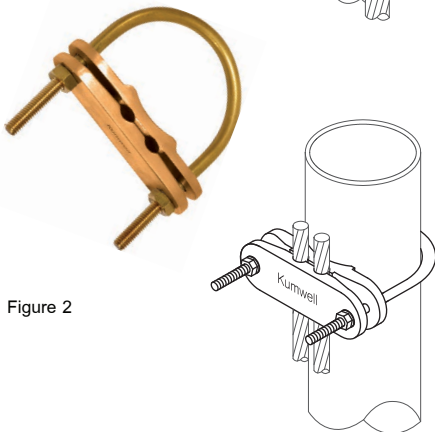


Figure 2

Code No.	Conductor		Cable Size (Sq-mm)	Weight (kg)	Figure
	Pipe (in)	Rod (in) / Rod (mm)			
GXCTW 127-70	-	1/2 / 12.7	25-70	0.38	1
GXCTW 127-120	-	1/2 / 12.7	95-120	0.38	1
GXCTW 172-70	-	5/8-3/4 / 15.9-19.1	25-70	0.43	1
GXCTW 172-120	-	5/8-3/4 / 15.9-19.1	95-120	0.43	1
GXCTW 172-240	-	5/8-3/4 / 15.9-19.1	150-240	0.86	1
GXCTW 231-70	-	1 / 23.1	25-70	0.51	1
GXCTW 231-120	-	1 / 23.1	95-120	0.51	1
GXCTW 231-240	-	1 / 23.1	150-240	0.82	1
GXCTW 25-70	1	- / 34.2	25-70	0.59	1
GXCTW 25-120	1	- / 34.2	95-120	0.59	1
GXCTW 40-70	1¼-1½	- / 42.9-48.8	25-70	0.45	2
GXCTW 40-120	1¼-1½	- / 42.9-48.8	95-120	0.45	2
GXCTW 50-70	2	- / 60.8	25-70	0.58	2
GXCTW 50-120	2	- / 60.8	95-120	0.58	2
GXCTW 65-70	2½	- / 76.6	25-70	0.83	2
GXCTW 65-120	2½	- / 76.6	95-120	0.83	2
GXCTW 80-70	3	- / 89.5	25-70	0.86	2
GXCTW 80-120	3	- / 89.5	95-120	0.86	2



Test Certificate
IEC 62561 Part 1



Material
Copper Alloy - BS EN 1982
U Bolt, Nut - Brass



Application
Clamp rod parallel to 2 cable

Rod or Pipe to Three Cable Clamp

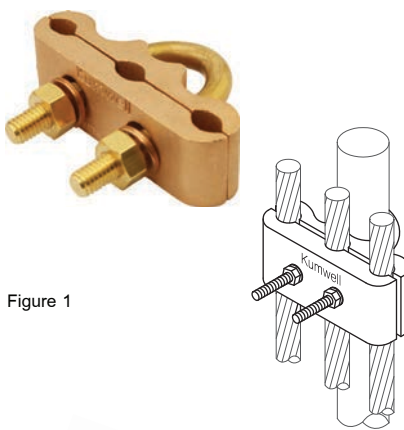


Figure 1

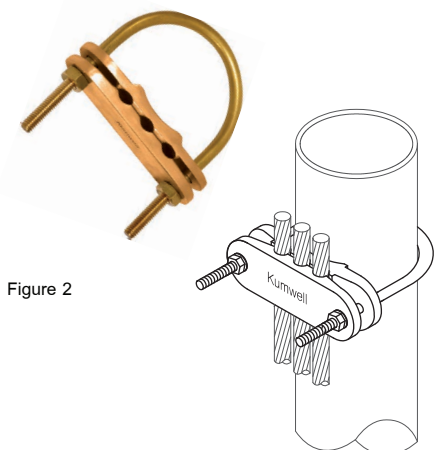


Figure 2

Code No.	Conductor		Cable Size (Sq-mm)	Weight (kg)	Figure
	Pipe (in)	Rod (in) / Rod (mm)			
GXCTH 127-70	-	1/2 / 12.7	25-70	0.37	1
GXCTH 127-120	-	1/2 / 12.7	95-120	0.37	1
GXCTH 172-70	-	5/8-3/4 / 15.9-19.1	25-70	0.42	1
GXCTH 172-120	-	5/8-3/4 / 15.9-19.1	95-120	0.42	1
GXCTH 172-240	-	5/8-3/4 / 15.9-19.1	150-240	0.73	1
GXCTH 231-70	-	1 / 23.1	25-70	0.49	1
GXCTH 231-120	-	1 / 23.1	95-120	0.49	1
GXCTH 231-240	-	1 / 23.1	150-240	0.77	1
GXCTH 25-70	1	- / 34.2	25-70	0.58	1
GXCTH 25-120	1	- / 34.2	95-120	0.58	1
GXCTH 40-70	1¼-1½	- / 42.9-48.8	25-70	0.79	1
GXCTH 40-120	1¼-1½	- / 42.9-48.8	95-120	0.79	1
GXCTH 50-70	2	- / 60.8	25-70	0.56	2
GXCTH 50-120	2	- / 60.8	95-120	0.56	2
GXCTH 65-70	2½	- / 76.6	25-70	0.81	2
GXCTH 65-120	2½	- / 76.6	95-120	0.81	2
GXCTH 80-70	3	- / 89.5	25-70	0.84	2
GXCTH 80-120	3	- / 89.5	95-120	0.84	2



Test Certificate
IEC 62561 Part 1

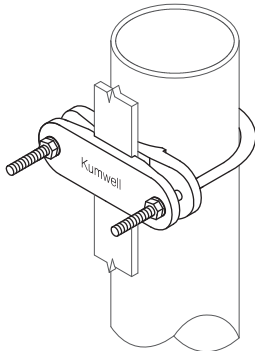


Material
Copper Alloy - BS EN 1982
U Bolt, Nut - Brass



Application
Clamp rod parallel to 3 cable

U Bolt Rod Clamp



Code No.	Rod Diameter (Ø) (mm)	Tape Size (mm)	Weight (kg)
GXCTC 16-253	16	25x3	0.28
GXCTC 16-254	16	25x4	0.28
GXCTC 16-256	16	25x6	0.28
GXCTC 20-253	20	25x3	0.30
GXCTC 20-254	20	25x4	0.30
GXCTC 20-256	20	25x6	0.30
GXCTC 25-253	25	25x3	0.33
GXCTC 25-254	25	25x4	0.33
GXCTC 25-256	25	25x6	0.33
GXCTC 31-253	31	25x3	0.35
GXCTC 31-254	31	25x4	0.35
GXCTC 31-256	31	25x6	0.35
GXCTC 38-253	38	25x3	0.36
GXCTC 38-254	38	25x4	0.36
GXCTC 38-256	38	25x6	0.36
GXCTC 50-253	50	25x3	0.44
GXCTC 50-254	50	25x4	0.44
GXCTC 50-256	50	25x6	0.44



Test Certificate
IEC 62561 Part 1

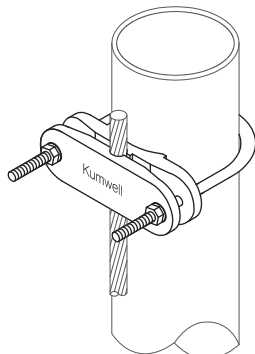


Material
Copper Alloy - BS EN 1982
U Bolt, Nut - Brass



Application
Clamp rod parallel to copper tape conductor.

Pipe to Cable Clamp



Code No.	Pipe Diameter (Ø) (in)	Cable Size (Sq-mm)	Weight (kg)
GXCPC 10-70	3/8	16-70	0.26
GXCPC 10-120	3/8	70-120	0.26
GXCPC 20-70	3/4	16-70	0.29
GXCPC 20-120	3/4	70-120	0.29
GXCPC 25-70	1	16-70	0.32
GXCPC 25-120	1	70-120	0.32
GXCPC 40-70	1¼-1½	16-70	0.54
GXCPC 40-120	1¼-1½	70-120	0.54
GXCPC 50-70	2	16-70	0.77
GXCPC 50-120	2	70-120	0.77
GXCPC 65-70	2½	16-70	0.84
GXCPC 65-120	2½	70-120	0.84
GXCPC 80-70	3	16-70	0.97
GXCPC 80-120	3	70-120	0.97
GXCPC 100-70	4	25-70	1.47
GXCPC 100-120	4	70-120	1.47



Test Certificate
IEC 62561 Part 1

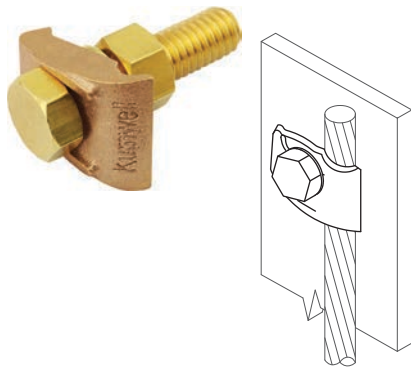


Material
Copper Alloy - BS EN 1982
U Bolt, Nut - Brass



Application
Clamp pipe parallel to one cable.

Clamp A Cable to Flat Bar



Flat Bar

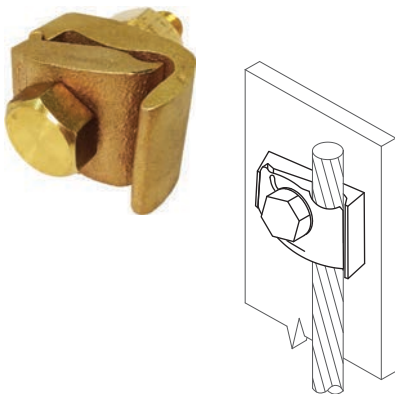
Code No.	Cable Size (mm ²)	Bolt Size (in)	Weight (kg)
GXCCF-G1	25-50	3/8x1½	0.076
GXCCF-G2	70-120	1/2x2	0.136
GXCCF-G3	150-240	1/2x2	0.144

Test Certificate
IEC 62561 Part 1

Material
Copper Alloy - BS EN 1982
U Bolt, Nut - Brass

Application
Clamp cable conductors to steel flat surface.

Flat Bar Clamp



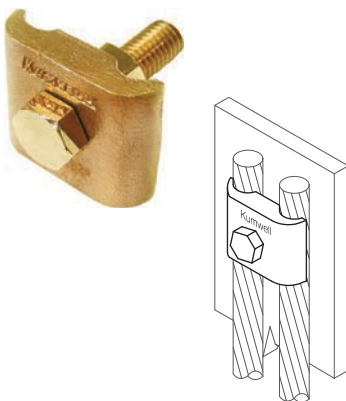
Code No.	Cable Size (mm ²)	Bolt Size (in)	Weight (kg)
GXCCF-G1P	25-50	3/8x1½	0.124
GXCCF-G2P	70-120	1/2x2	0.194
GXCCF-G3P	150-240	1/2x2	0.228

Test Certificate
IEC 62561 Part 1

Material
Copper Alloy - BS EN 1982
U Bolt, Nut - Brass

Application
Clamp 2 cable conductors to steel flat surface
with grooving piece in order to cable dirtortion.

Clamp Two Cable to Flat Bar



Flat Bar

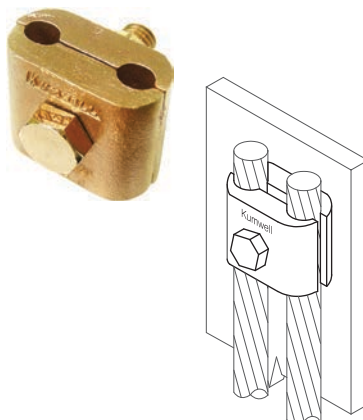
Code No.	Cable Size (mm ²)	Bolt Size (in)	Weight (kg)
GXCCP-G1	25-50	3/8x1½	0.16
GXCCP-G2	70-120	1/2x2	0.24
GXCCP-G3	150-240	1/2x2	0.31

Test Certificate
IEC 62561 Part 1

Material
Copper Alloy - BS EN 1982
U Bolt, Nut - Brass

Application
Clamp 2 cable conductors to steel flat surface.

Flat Bar Clamp



Code No.	Cable Size (mm ²)	Bolt Size (in)	Weight (kg)
GXCCP-G1P	25-50	3/8x1½	0.28
GXCCP-G2P	70-120	1/2x2	0.39
GXCCP-G3P	150-240	1/2x2	0.45

Test Certificate
IEC 62561 Part 1

Material
Copper Alloy - BS EN 1982
U Bolt, Nut - Brass

Application
Clamp 2 cable conductors to steel flat surface with
grooving piece in order to cable dirtortion.


One Cable to Pipe Clamp



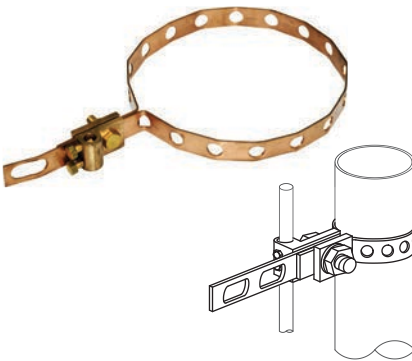
Code No.	Pipe Diameter (Ø) (in)	Cable Size (mm ²)	Weight (kg)
GXPCP1-50-95	1¼-2	25-95	0.40
GXPCP1-75-95	2½-3	25-95	0.52
GXPCP1-100-95	3½-4	25-95	0.70

 **Test Certificate**
IEC 62561 Part 1

 **Material**
Copper Alloy - BS EN 1982
U Bolt, Nut - Brass


 **Application**
Clamp cable conductors to steal pipe.


Pipe Bond Clamp



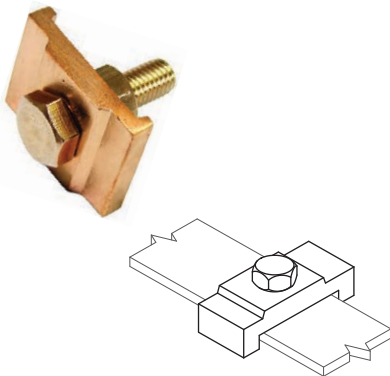
Code No.	Pipe Diameter (mm)	Conductor Type	Conductor Size (mm)	Weight (kg)
GBP 8	50-200	Solid	8	0.59

 **Test Certificate**
IEC 62561 Part 1


 **Material**
Copper Alloy - BS EN 1982
Copper Tape - BS EN 13601
Bolt, Nut - Brass


 **Application**
Bond Solid copper conductor to large metal pipe.


Tape Clamp



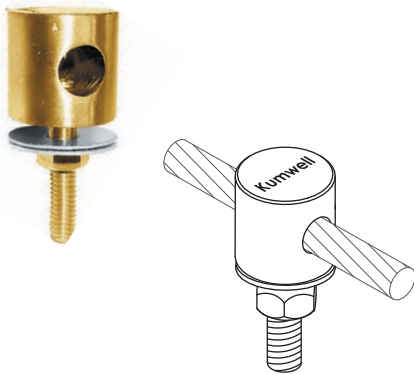
Code No.	Tape Size (mm)	Bolt Size (in)	Weight (kg)
LPTBC	25x3	3/8	0.13
LPTBC-A	25x3	3/8	0.039

 **Test Certificate**
IEC 62561 Part 1


 **Material**
Copper Alloy - BS EN 1982
Bolt, Nut - Brass
Aluminium Alloy - BS 2898,
Bolt, Nut - Brass

 **Application**
Fix copper tape conductor with steal flat surface.


Cable Grid



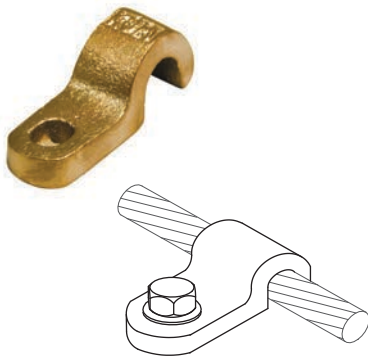
Code No.	Cable Size (mm ²)	Stud Size (in)	Weight (kg)
GXCG 95	95	5/16	0.16
GXCG 120	120	5/16	0.18
GXCG 185	185	3/8	0.25

 **Test Certificate**
IEC 62561 Part 1

 **Material**
Copper Alloy - BS EN 1982
Stud, Nut - Brass
Washer - Bi - Copper, Aluminium

 **Application**
Clamp cable conductors to framework to earthing cable conductor.


Ground Clamp



Code No.	Cable Size (mm ²)	Weight (kg)
LGRC-A70	50-70	0.045
LGRC-A	95-120	0.050
LGRC-B	150-185	0.100
LGRC-C	240-300	0.120
LGRC-AA	95-120	0.015
LGRC-BA	150-185	0.031
LGRC-CA	240-300	0.036

 **Test Certificate**
IEC 62561 Part 4


 **Material**
Copper Alloy - BS EN 1982
Aluminium Alloy - BS EN 2898


 **Application**
Lock wire or cable conductor on flat surface.


Static Earth Receptacle



Code No.	Dimensions (mm)			Weight (kg)
	W	L	Ø	
GYSER 663	69	114	12.7	0.65
GYSER 993	120.6	158.8	12.7	1.88

 **Test Certificate**
IEC 62561 Part 1

 **Material**
Copper Alloy - BS EN 1982

 **Application**
Connect to grounding system by installing runway, gas station or else to discharge static electricity from airplane or oil tank.

