

Arion PDU : Intelligent Power Distribution

Monitored PDU: Universal Outlet Series



Product Information

Cheval's new line of power distribution units provides PDU level monitoring with on board "intelligent" option for remote monitoring and control.

Features

- 24 x Universal Outlets
- 13 ampere current rating per individual outlet
- Extruded aluminum housing unit
- Hot Swap multi function LCD display shows real time Voltage, Current and Frequency.
- Readout can flip 180 deg. for easy viewing.
- 32A circuit breaker.
- Two current transformers improve power management.
- On board "intelligent" options only require connection to Arion PDU Server (sold separately).
- Anti trip guard
- Zero U mounts directly to Arion racks

Specifications

- Single phase : 220 VAC 32 Amp
- Display AC voltage : 240 volts
- Display AC current : 0-32 Amperes
- Display line frequency : 47-60Hz.
- Maximum 13 ampere current rating per individual outlet.
- Maximum 32A ampere current rating for total outlet.
- RoHS compliant
- High quality scratch resistant powder coat finish

Expansion/Options

The Arion PDU contains built in communication support via an RJ45 jack to our Arion PDU Server. The server transforms the PDU into an intelligent PDU supporting these critical functions:

- Remote monitoring and output control
- Temperature & humidity sensor
- Event alerts through SMS and Email
- SNMP support
- User configurable alarm settings

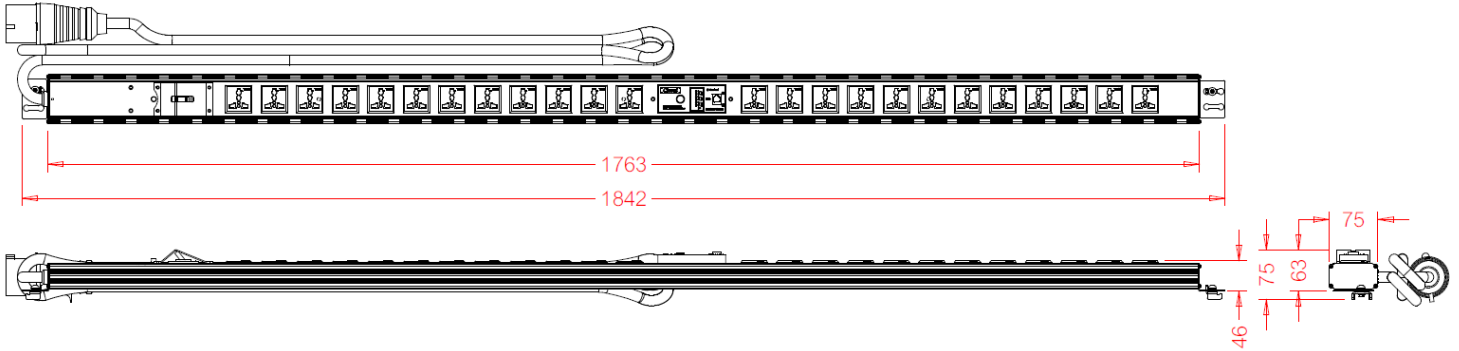
Please see our Arion PDU Server product information for full details.



| Part Code | DESCRIPTION |
|-----------|---|
| ACPI225 | Arion Monitored PDU, 32 amp, 24 x Universal Outlets |

Note : To utilize remote monitoring, Arion PDU Server is required.

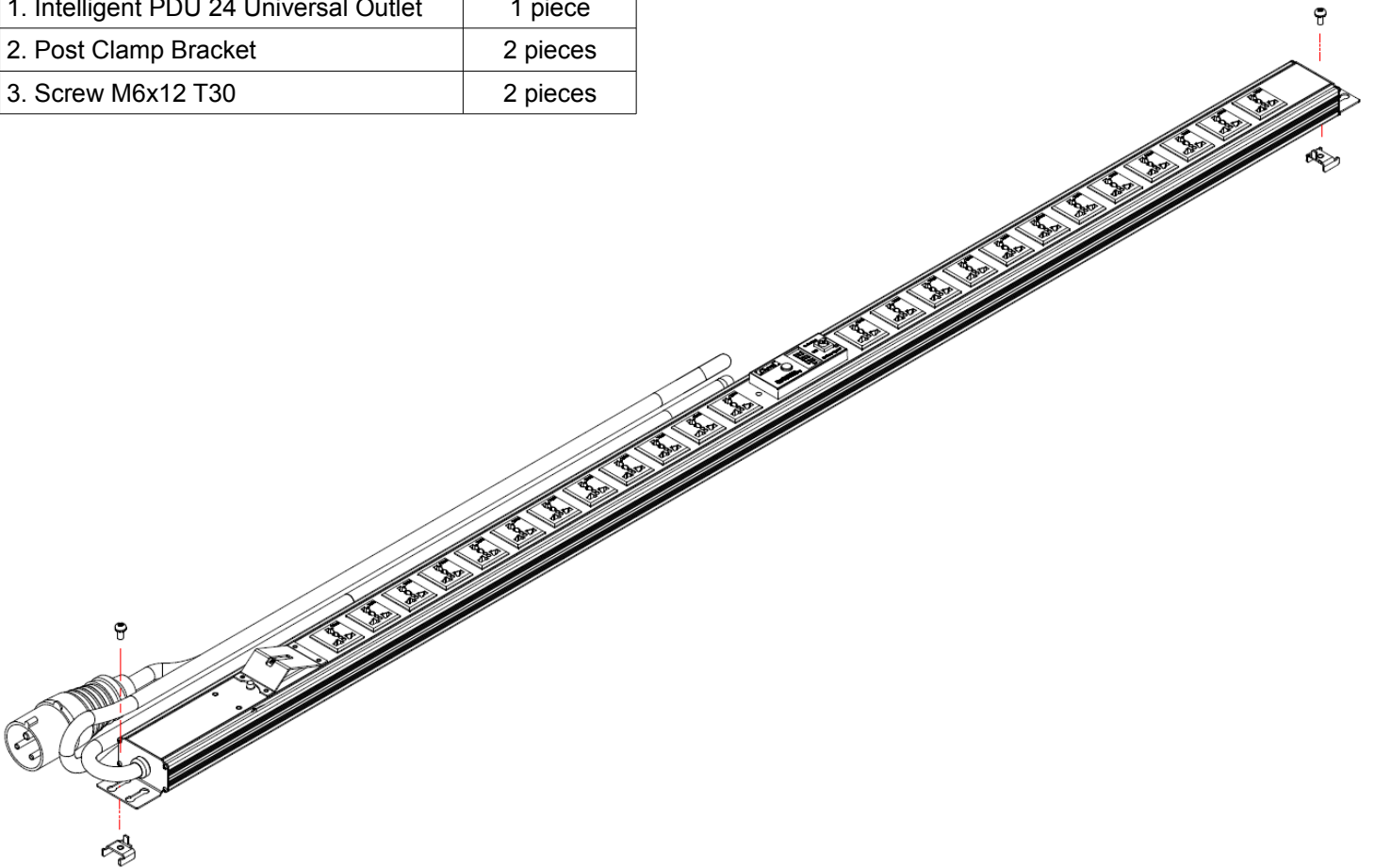
Dimensions



Note : dimension are in mm.

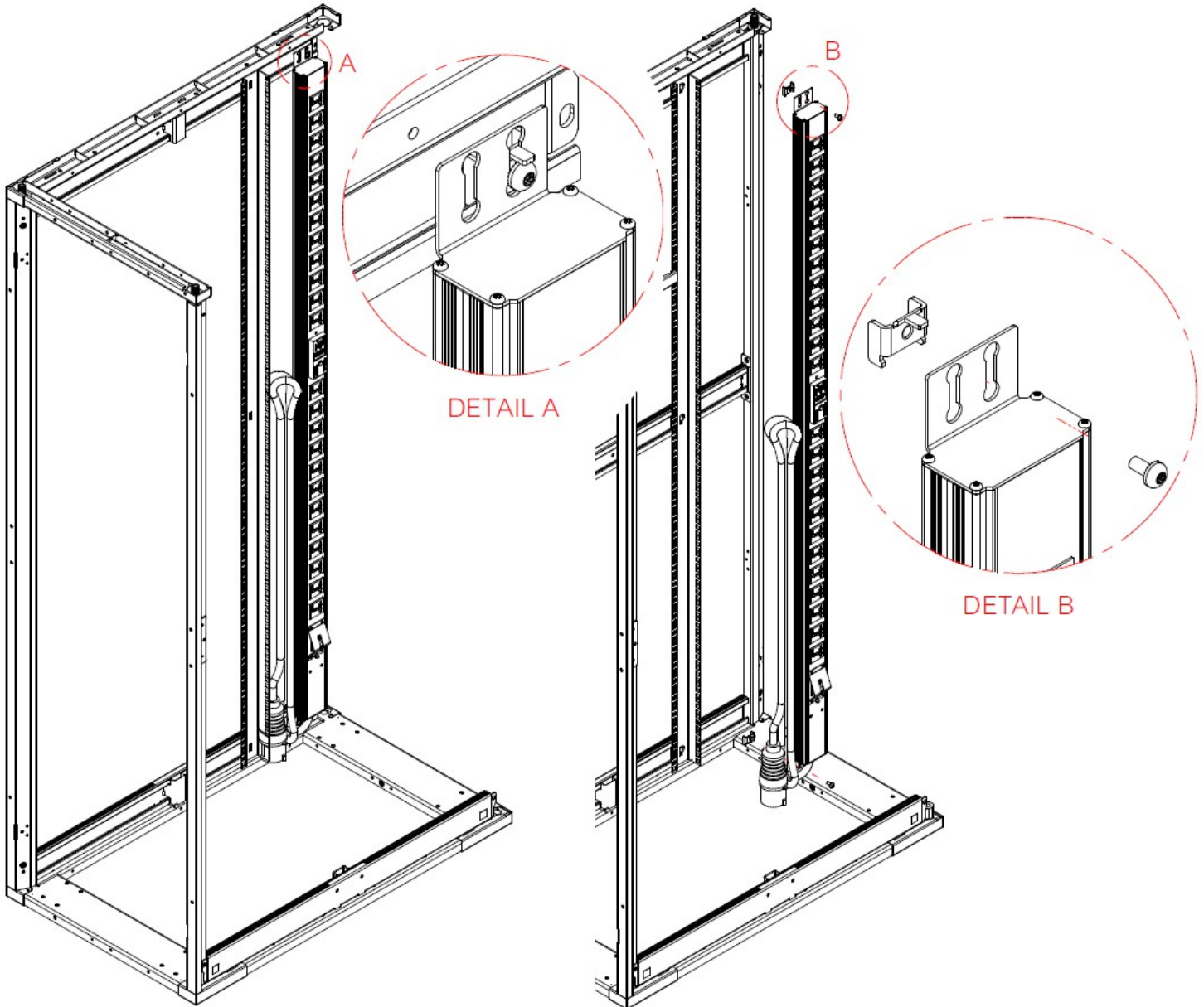
Part List

| Item | Quantity |
|--|----------|
| 1. Intelligent PDU 24 Universal Outlet | 1 piece |
| 2. Post Clamp Bracket | 2 pieces |
| 3. Screw M6x12 T30 | 2 pieces |



Installation for Arion Rack

1. Install two post clamp bracket to PDU at both end two screw M6x12 T30 hand tight.
2. install PDU to Arion rack as shown below
 - 2.1 insert both post clamp bracket into post mounting bracket (horizontal mounting channel)
 - 2.2 At upper mounting bracket of PDU adjust post clamp bracket until its hook engage with lower slot inside post mounting bracket then tighten
 - 2.3 At lower mounting bracket of PDU adjust post clamp bracket until its hook engage with lower slot inside post mounting bracket then tighten



Note : Torque 25 in lbs for M6x12

