



# ABSO<sup>®</sup>

CONDUIT & FITTINGS

SINCE 1980 - 2008

## PRODUCTS CATALOG 2009



**ABSO<sup>®</sup>**  
CONDUIT & FITTINGS


meets every Project's Requirements




## SPECIFICATION

- ABSO Electrical Conduit & Fittings are Manufactured Conforming to
- ANSI/NEMA FB1 - ANSI/NEMA OS1 Standard Available in Categories.
  - ANSI/NEMA FB1 - CAST IRON - HOT-DIP GALVANIZED
  - SHEET STEEL - ZINC ELECTRO GALVANIZED
  - ANSI/NEMA OS1 - SHEET STEEL OUTLET BOXES, COVER & SUPPORT SYSTEM - HOT-DIP GALVANIZED



 **ABSOLUTE**  
CONDUIT & FITTINGS ได้รับมาตรฐานอุตสาหกรรม (มอก.)  
สำหรับการผลิตท่อร้อยสายไฟ EMT, IMC และ RSC  
ครบถ้วน เมื่อ 26 มกราคม 2547  
( THAI INDUSTRIAL STANDARD APPROVAL FOR  
EMT, IMC & RSC CONDUIT SINCE 26 JAN 2004 )



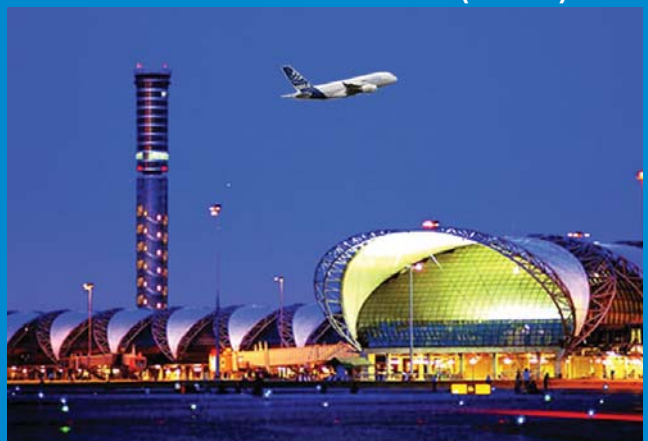
 **ABSOLUTE**  
CONDUIT & FITTINGS ผ่านมาตรฐาน การทดสอบจากการ  
ไฟฟ้านครหลวง (MEA) สำหรับท่อร้อยสายไฟทุกประเภท  
( METROPOLITAN ELECTRICITY AUTHORITY  
TEST REPORT )

## 2001 - 2009 PROJECT AT





**ELECTRICITY GENERATING  
AUTHORITY OF THAILAND ( EGAT )**



**SUVARNABHUMI NEW BANGKOK  
INTERNATIONAL AIRPORT ( NBIA )**



## COMPANY PROFILE

- Established since 1980, **Rung Jaras Sang Electric Ltd., Part.** is a diversified manufacturer of electrical products. We supply a wide range of products meeting light and heavy industrial requirements.
- Since the beginning of 1993, we have grown into a well-known manufacturer, having our own market products on the brand-name of  **ABSOLUTE**<sup>®</sup> CONDUIT & FITTINGS which is our original registered for Intellectual Property.
- Our  **ABSOLUTE**<sup>®</sup> CONDUIT & FITTINGS products are sold through out our local/overseas electrical distributors. Over the year, we have developed products and services that have directed us to provide our customers with the highest-quality products and services at the best value delivered, wherever and whenever they needed.
- Our main products range from Hot-Dip Galvanized Conduit, Hot-Dip Galvanized Fitting Accessories, Aluminium Fitting Accessories.
- We proudly supply these materials throughout those ongoing construction projects such as Power Plants, Suvarnabhumi New Bangkok International Airport, Mass Rapid Transport, Petrochemical, Oil & Gas Industrial, Commercial Buildings etc.
- Our premium quality Hot-Dip Galvanized products are manufacturing conforming to ANSI / NFPA70 Standard (National Fire Protection Association) and Thailand Industrial Standard (TIS). Our advantage characteristic has brought  **ABSOLUTE**<sup>®</sup> CONDUIT & FITTINGS to the success and be part of the high-profile projects such as MRTA, BTS, Power Plants, EGAT, Suvarnabhumi New Bangkok International Airport and Commercial Building of Bangkok Government Complex.
- To dates, we continue to strengthen our supreme quality and services to our valuable customers.
- In addition, **Rung Jaras Sang Electric Ltd., Part.** is also a regional representative to supply  **MAXSPID** Emergency Lighting and Self-contained Exit Signs (certified to the prestigious ISO 9000 QMS). We also have emergency power packs (also known as conversion kits). Currently, we have various models of emergency lighting products, which have different lighting features for various requirements and proposes.

# Pictorial Index



**ABSOLUTELY**  
QUALITY PRODUCTS

ABSOLUTELY COMPLETE CIRCUIT  
ELECTRICAL CONDUIT & FITTINGS



**RUNG JARAS SANG ELECTRIC LTD.,PART.**

63 Jaras Muang Rd., Patumwan,

Bangkok 10330 Thailand

Tel. : 66 (2) 216-7707 - 10

216-7783

214-0034

Fax : 66 (2) 215-1009

E-mail : abso1980@gmail.com

# Section Locator

## CONDUIT

EMT IMC RSC

4 - 5

### NEMA FB 1

## EMT

Electrical Metallic  
Tubing Fitting  
Specification

6 - 9



## IMC

Intermediate  
Metal Conduit  
Fitting Specification



## RSC

Rigid Steel  
Conduit Fitting  
Specification



11 - 34

### NEMA OS 1

## SHEET-STEEL OUTLET BOXES

35 - 47



## SUPPORT SYSTEM

48 - 52



## OBSTRUCTION LIGHTS AIR TERMINAL BASE

53 , 58



## PROJECT REFERENCE

54 - 55

## GROUNDING PIT UNY, UNF, REC REDUCER HISTORY

56 - 59



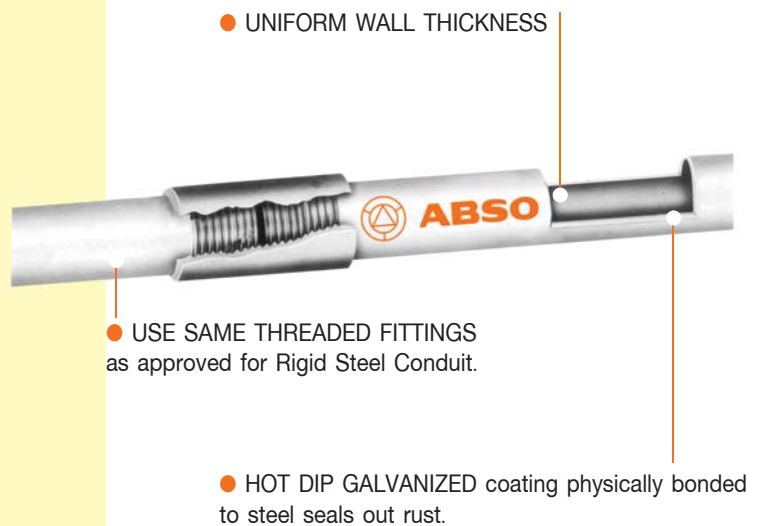
TYPE : GP - B



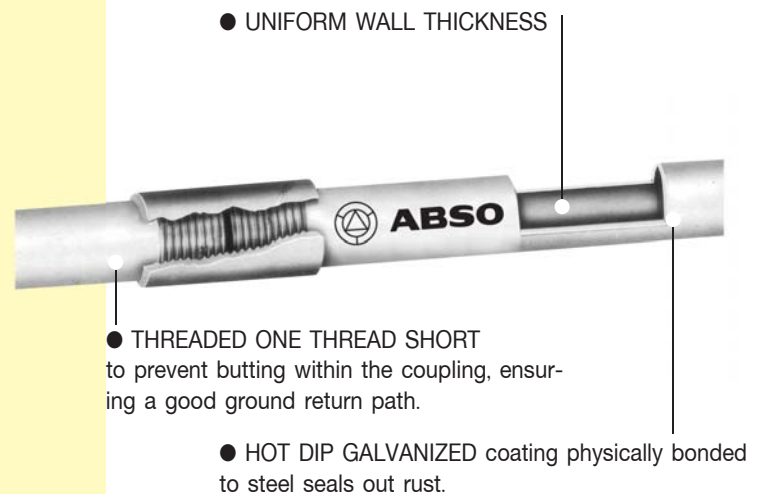
**EMT**  
Specifications  
**ELECTRICAL  
METALLIC  
TUBING**



**IMC**  
Specifications  
**INTERMEDIATE  
METAL  
CONDUIT**



**RSC**  
Specifications  
**GALVANIZED  
RIGID STEEL  
CONDUIT**





**ABSO EMT CONDUIT STANDARD SPECIFICATION AMERICAN STANDARD ELECTRICAL METALLIC TUBING ANSI C80.3**

Trade size (inch)	Outside Diameter		Wall Thickness		Length		Weight kg / pc.	Number of Pieces in Std. Packing	
	inch	mm	inch	mm	ft	mm		Per Bundle	Per Lift
1/2	0.706	17.93	0.042	1.07	10	3048	1.292	10	100
3/4	0.922	23.42	0.049	1.25	10	3048	1.972	10	100
1	1.163	29.54	0.057	1.45	10	3048	2.901	7	70
1 1/4	1.510	38.35	0.065	1.65	10	3048	4.309	5	50
1 1/2	1.740	44.20	0.065	1.65	10	3048	4.989	5	50
2	2.197	55.80	0.065	1.65	10	3048	6.348	2	30

Tolerance : Outside Diameter : ± 0.13 mm Wall Thickness : ± 10% Length : ± 6.4 mm

**ABSO IMC CONDUIT STANDARD SPECIFICATION AMERICAN STANDARD INTERMEDIATE METAL CONDUIT ANSI C80.6**

Trade size (inch)	Outside Diameter		Wall Thickness		Length without coupling		Weight kg / pc	Number of Pieces in Std. Packing	
	inch	mm	inch	mm	ft.	mm.		Per Bundle	Per Lift
1/2	0.82	20.8	0.073	1.85	9-11 1/4	3029	2.54	10	100
3/4	1.034	26.3	0.079	2.0	9-11 1/4	3029	3.46	10	100
1	1.295	32.9	0.091	2.3	9-11 1/2	3023	4.99	5	50
1 1/4	1.643	41.9	0.091	2.3	9-11 1/2	3023	6.43	3	30
1 1/2	1.887	48.0	0.093	2.35	9-11	3023	7.91	3	30
2	2.365	60.1	0.096	2.45	9-11	3023	10.52	2	20
2 1/2	2.862	72.8	0.134	3.4	9-11	3010	18.62	2	20
3	3.481	88.5	0.134	3.4	9-11	3010	22.90	1	10
3 1/2	3.976	101.1	0.134	3.4	9-11	3004	26.30	1	10
4	4.471	113.7	0.134	3.4	9-11	3004	29.61	1	10

Tolerance : Outside Diameter : ± 0.2 mm (For 1/2"-1") ± 0.3 mm (For 1 1/4"- 2") ± 0.4 mm (For 2 1/2"- 4")  
 Wall Thickness : ± 0.2 mm (For 1/2"-2") ± 0.3 mm (For 2 1/2"- 4")  
 Length : ± 6.4 mm

**ABSO RSC CONDUIT STANDARD SPECIFICATION AMERICAN STANDARD GALVANIZED RIGID STEEL CONDUIT ANSI C80.1**

Trade size (inch)	Outside Diameter <sup>1</sup>		Wall Thickness <sup>2</sup>		Length without coupling <sup>3</sup>		Weight kg / pc	Number of Pieces in Std. Packing	
	inch	mm	inch	mm	ft. and in	mm.		Per Bundle	Per Lift
1/2	0.840	21.1	0.104	2.64	9-11 1/4	3029	3.58	10	100
3/4	1.050	26.7	0.107	2.72	9-11 1/4	3029	4.76	10	100
1	1.315	33.4	0.125	3.20	9-11	3023	6.94	5	50
1 1/4	1.660	42.2	0.133	3.38	9-11	3023	9.12	3	30
1 1/2	1.900	48.3	0.138	3.51	9-11	3023	11.30	3	30
2	2.375	60.3	0.146	3.71	9-11	3023	15.06	2	20
2 1/2	2.875	73.0	0.193	4.90	9-10 1/2	3010	23.91	2	20
3	3.500	88.9	0.205	5.21	9-10 1/2	3010	30.96	1	10
3 1/2	4.000	101.6	0.215	5.46	9-10 1/4	3000	37.69	1	10
4	4.500	114.3	0.225	5.72	9-10 1/4	3000	44.10	1	10
5	5.563	141.3	0.245	6.22	9-10	3000	59.59	1	10
6	6.625	168.3	0.266	6.76	9-10	3000	79.17	1	10

Tolerance : Outside Diameter tolerances : ± 0.15 in (0.38 mm) (For 1/2"-1") ± 0.25 in (6.35mm) (For 2 1/2"-4") ± 1% (For 5" and 6")  
 For information only ; not a spec. requirement.  
 Length : ± 0.25 in (6.35 mm)



# EMT

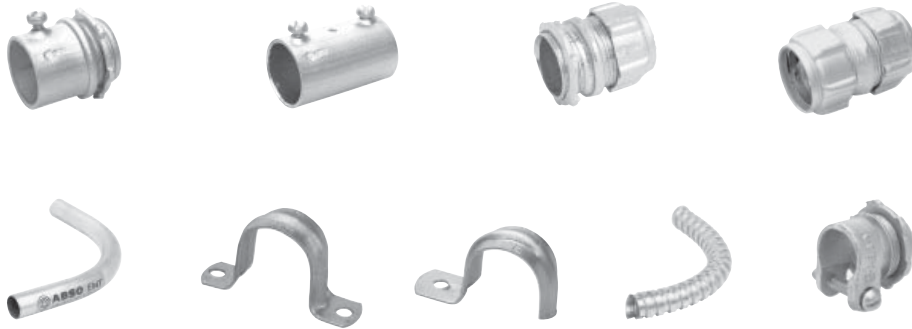
---

Electrical Metallic Tubing

---

Fitting Specification

---

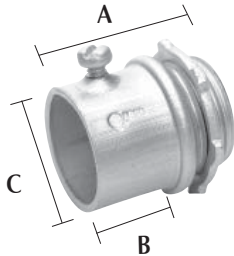




**E.M.T. SET SCREW CONNECTORS**

\*Standard Materials : Sheet Steel

\*Standard Finishing : Zinc Electroplate



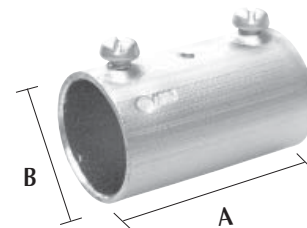
Catalog No.	Size (in)	Dimensions (mm.)			Weight (Kg.) Per 100
		A	B	C	
CNAE01	1/2"	32.25	17.20	21.70	3.00
CNAE02	3/4"	34.35	18.00	27.25	4.00
CNAE03	1"	41.50	24.45	33.40	6.50
CNAE04	1 1/4"	52.20	33.00	43.70	13.50
CNAE05	1 1/2"	54.10	33.00	49.40	16.30
CNAE06	2"	70.00	44.45	61.15	24.60

**E.M.T. SET SCREW COUPLINGS**

\*Standard Materials : Sheet Steel

\*Standard Finishing : Zinc Electroplate

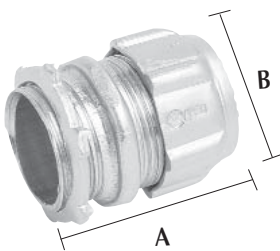
Catalog No.	Size (in)	Dimensions (mm.)		Weight (Kg.) Per 100
		A	B	
CPEAE01	1/2"	38.85	21.35	3.20
CPEAE02	3/4"	45.25	27.00	4.00
CPEAE03	1"	50.40	32.90	6.40
CPEAE04	1 1/4"	62.20	44.00	17.00
CPEAE05	1 1/2"	72.70	49.05	17.60
CPEAE06	2"	85.35	61.60	30.50



**CONNECTOR E.M.T. RAIN TIGHT**

\*Standard Materials : Sheet Steel

\*Standard Finishing : Zinc Electroplate



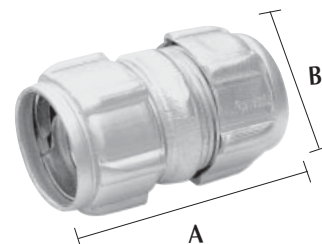
Catalog No.	Size (in)	Dimensions (mm.)		Weight (Kg.) Per 100
		A	B	
CNRAE01	1/2"	34.00	27.55	4.00
CNRAE02	3/4"	37.00	33.50	6.00
CNRAE03	1"	44.45	42.90	7.70
CNRAE04	1 1/4"	59.50	52.40	16.70
CNRAE05	1 1/2"	65.00	58.70	21.46
CNRAE06	2"	70.00	70.00	36.50

**COUPLING E.M.T. RAIN TIGHT**

\*Standard Materials : Sheet Steel

\*Standard Finishing : Zinc Electroplate

Catalog No.	Size (in)	Dimensions (mm.)		Weight (Kg.) Per 100
		A	B	
CPERA01	1/2"	46.80	27.55	4.50
CPERA02	3/4"	53.90	33.50	7.00
CPERA03	1"	53.90	42.90	10.15
CPERA04	1 1/4"	73.80	52.40	18.00
CPERA05	1 1/2"	77.80	58.70	24.00
CPERA06	2"	81.70	70.00	40.10




**STRAPS E.M.T.**
**Application :**

Elongated bolt hole makes alignment easy, even when holes in mounting surface are out of alignment. Snap on features hold strap in place

**Standard Materials :**

# Sheet Steel

**Standard Finishing :**

# Zinc Electroplate

**Option Finishing :**

# Hot-Dip Galvanized & Enamel Clear Coat.

# Powder Coat : Information Available On Request

**Size Ranges :**

# 1/2" - 2" Size

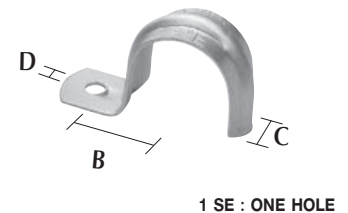
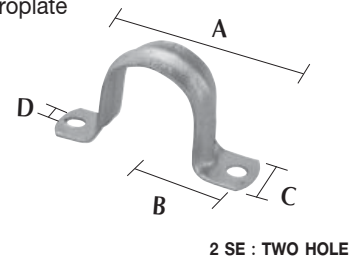
**STRAP E.M.T.**

\*Standard Materials : Sheet Steel

\*Standard Finishing : Zinc Electroplate

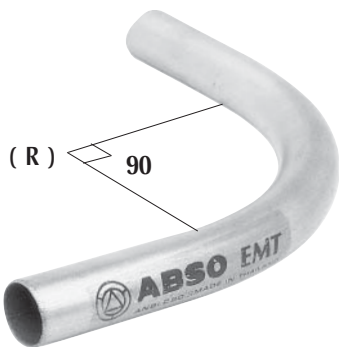
Catalog No.	Size (in)	Dimensions (mm.)				Weight (Kg.) Per 100	Weight (Kg.) Per 100(*)
		A	B	C	D		
SE...AE01	1/2"	51.00	40.80	15.90	4.65	10.00	7.50
SE...AE02	3/4"	57.75	47.00	16.00	4.65	12.00	10.00
SE...AE03	1"	66.00	56.00	18.75	4.75	16.00	14.00
SE...AE04	1 1/4"	87.40	74.40	18.75	4.60	20.00	18.20
SE...AE05	1 1/2"	99.15	85.85	18.95	4.65	21.00	19.50
SE...AE06	2"	106.70	88.25	18.50	4.80	31.00	27.90

(\*) 1 SE

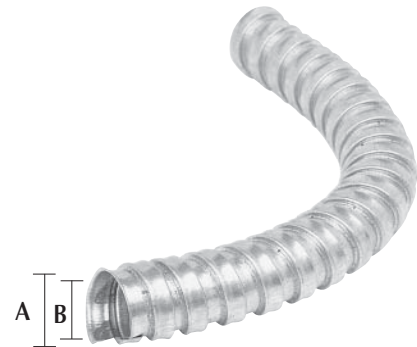

**ELECTRICAL METALLIC TUBING ( EMT ) ELBOWS 90**

\*Standard Materials : Hot-Rolled Steel Strip

\*Standard Finishing : Hot-Dip Galvanized & Enamel Clear Coat



Catalog No.	Nominal Trade Size (in)	Dimensions (mm.)				Weight (Kg.) Per Pc
		Outside Diameter	Wall Thickness	Min Radius (R)	Min Straight Length (Ls)	
ELEA9001	1/2"	17.93	1.07	103.97	68.34	0.13
ELEA9002	3/4"	23.42	1.25	126.71	50.48	0.19
ELEA9003	1"	29.54	1.45	159.77	62.02	0.38
ELEA9004	1 1/4"	38.35	1.65	204.18	52.14	0.64
ELEA9005	1 1/2"	44.20	1.65	232.10	67.71	0.88
ELEA9006	2"	55.80	1.65	267.90	89.59	1.30



**FLEXIBLE CONDUIT**

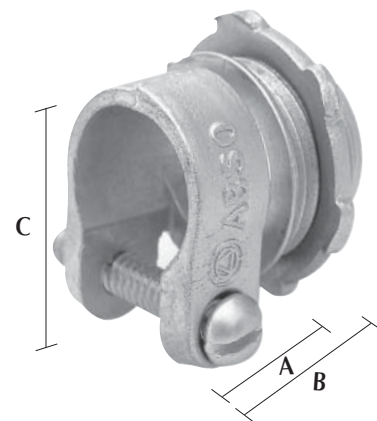
\*Standard Materials : Zinc Steel Strip  
\*Standard Finishing : Zinc Electroplate

Catalog No.	Size (in)	Dimensions (mm.)				Steel Strip Thickness (mm.)	Lenght Per Roll (m.)	Weight (Kg.) Per Roll
		A		B				
		MIN	MAX	MIN	MAX			
FCE01	1/2"	20.80	21.30	15.70	16.30	0.30	50.00	4.60
FCE02	3/4"	26.10	26.60	20.70	21.20	0.30	50.00	7.40
FCE03	1"	32.70	33.30	26.20	26.70	0.40	30.00	5.00
FCE04	1 1/4"	41.40	42.10	34.60	35.30	0.40	15.00	2.46
FCE05	1 1/2"	47.30	48.20	40.00	40.50	0.40	15.00	4.50
FCE06	2"	59.30	60.20	51.20	51.70	0.40	15.00	7.40
FCE07	2 1/2"	71.80	72.00	60.90	62.10	0.45	10.00	10.80
FCE08	3"	86.70	87.40	76.20	77.10	0.45	10.00	12.50
FCE10	4"	113.90	113.00	100.30	101.00	0.45	10.00	15.30

**FLEXIBLE CONNECTOR**

\*Standard Materials : Zinc / Cast Iron  
\*Standard Finishing : Zinc Electroplate / Hot-Dip Galvanized

Catalog No. Zinc / H.D.G.	Size (in)	Dimensions (mm.)			Weight (Kg.) Per 100
		A	B	C	
FCAE01 /	1/2"	23.35	25.25	27.70	2.50
/ FCAH02	3/4"	25.20	27.50	30.50	11.50
/ FCAH03	1"	27.80	41.00	47.50	13.00
/ FCAH04	1 1/4"	30.60	48.00	56.75	20.00
/ FCAH05	1 1/2"	46.20	63.75	65.85	
/ FCAH06	2"	50.80	65.10	84.10	
/ FCAH07	2 1/2"	51.60	74.00	97.10	
/ FCAH08	3"	56.55	79.90	116.40	
/ FCAH10	4"	93.70	125.50	177.80	





**ABS O**<sup>®</sup>  
QUALITY PRODUCTS

ABSOLUTELY COMPLETE CIRCUIT  
ELECTRICAL CONDUIT & FITTINGS

**I M C**  
**&**  
**R S C**

# ANSI/NEMA FB 1

**CONDUIT OUTLET BODIES**

**CONDUIT OUTLET BOXES**

**CIRCULAR JUNCTION BOXES**

**DEVICE BOXES**

**AND FITTINGS ASSEMBLIES**

# IMC

---

## Intermediate Metal Conduit

---

### Fitting Specification

---



# RSC

---

## Rigid Steel Conduit

---

### Fitting Specification

---



**ANSI / NEMA FB 1 - CONDUIT OUTLET BODIES IP 54**

**CAST IRON HOT-DIP GALVANIZED  
COVER & NEOPRENE GASKET FOR RIGID, IMC CONDUIT (NPT)**

**Application :**

Conduit outlet bodies **O.C.** , **T.B.** , **O.T.** , **L.B.** , **L.L.** , **L.R.** are installed in conduit

**Systems to :**

- # act as pull outlets for conductors being installed
- # provide openings for making splices and taps in conductors
- # act as mounting outlets for lighting fixtures and wiring devices
- # connect conduit sections
- # provide taps for branch conduit runs
- # make 90 bends in conduit runs
- # provide for access to conductors for maintenance and future system changes

**Features :**

Conduit Outlet Bodies

- # Many shapes and sizes are available for RSC, IMC, EMT conduit see listings on right hand side
- # Conduit hubs have tapered threads and feature integral bushings for protection of wire insulation.

**Gaskets :**

Solid gaskets : NEOPRENE

- # are used with blank covers
- # can be converted to open type gaskets by tearing out center section along scored lines - 1/2" to 4" sizes

**Blank Covers :**

- # Self - retaining Cover Screws

**Standard Materials :**

- # Bodies - Cast Iron
- # Cover - Cast Iron
- # Screws : Stainless Steel

**Optional Materials :**

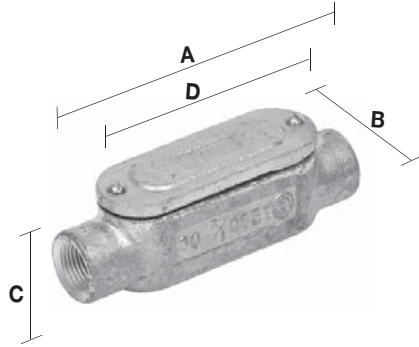
- # Aluminium

**Standard Finishing :**

- # Hot-Dip Galvanized & Enamel Clear Coat
- # Powder Coat : Information Available On Request

**ANSI / NEMA FB 1 - O.C. CONDULET CAST IRON LIQUID-TIGHT IP 54**

**\*Standard Material :** Cast Iron    **\*Standard Finishing :** Hot - Dip Galvanized  
# Bodies - Cast Iron    # Cover - Cast Iron    # Screws - Stainless Steel

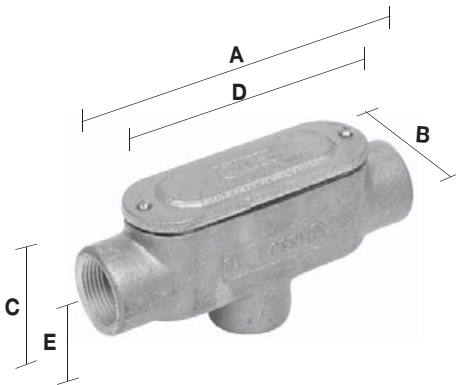


Catalog No.	Size (in)	Dimensions (mm.)				Weight (Kg.) Per 100
		A	B	C	D	
OCLAH01	1/2"	135.34	34.85	35.62	101.00	53.40
OCLAH02	3/4"	135.76	42.31	40.32	120.46	65.20
OCLAH03	1"	165.00	49.25	45.74	135.29	97.40
OCLAH04	1 1/4"	232.00	57.68	58.03	166.00	144.80
OCLAH05	1 1/2"	233.00	67.54	64.09	186.00	195.80
OCLAH06	2"	266.50	87.72	81.13	245.00	381.80
OCLAH07	2 1/2"	304.00	99.60	89.70	273.00	625.60
OCLAH08	3"	312.00	122.47	128.54	319.00	900.50

\*Optional Material : Aluminium

**ANSI / NEMA FB 1 - T.B. CONDULET CAST IRON LIQUID - TIGHT IP 54**

**\*Standard Material :** Cast Iron    **\*Standard Finishing :** Hot - Dip Galvanized  
# Bodies - Cast Iron    # Cover - Cast Iron    # Screws - Stainless Steel

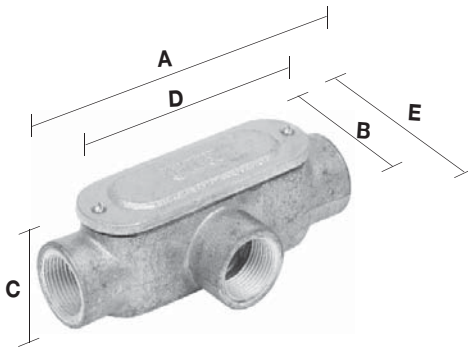


Catalog No.	Size (in)	Dimensions (mm.)					Weight (Kg.) Per 100
		A	B	C	D	E	
TBLAH01	1/2"	135.34	35.15	35.62	101.00	36.47	51.60
TBLAH02	3/4"	135.76	39.80	40.32	120.46	40.51	71.20
TBLAH03	1"	165.00	46.02	45.74	135.29	42.95	115.20
TBLAH04	1 1/4"	232.00	59.11	58.03	166.00	54.31	207.60
TBLAH05	1 1/2"	233.00	65.62	64.09	186.00	59.81	221.00
TBLAH06	2"	266.50	79.92	81.13	245.00	62.60	400.00

\*Optional Material : Aluminium

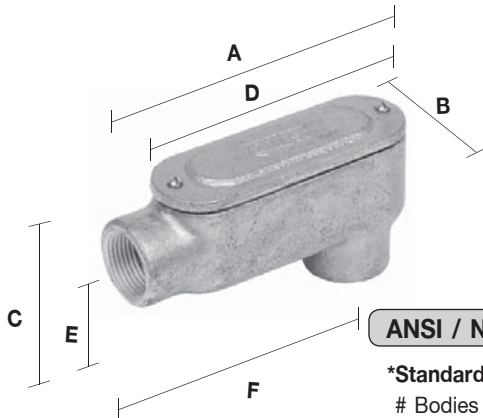
**ANSI / NEMA FB 1 - O.T. CONDULET CAST IRON LIQUID - TIGHT IP 54**

**\*Standard Material :** Cast Iron    **\*Standard Finishing :** Hot - Dip Galvanized  
# Bodies - Cast Iron    # Cover - Cast Iron    # Screws - Stainless Steel



Catalog No.	Size (in)	Dimensions (mm.)					Weight (Kg.) Per 100
		A	B	C	D	E	
OTLAH01	1/2"	117.62	36.28	35.80	96.80	35.50	51.60
OTLAH02	3/4"	138.82	41.48	42.18	119.13	37.60	71.20
OTLAH03	1"	174.00	45.43	49.11	135.88	41.59	115.20
OTLAH04	1 1/4"	231.60	64.10	62.19	165.00	53.78	207.60
OTLAH05	1 1/2"	233.00	69.09	66.43	189.00	56.43	221.00
OTLAH06	2"	295.20	81.48	81.73	243.00	67.25	400.00
OTLAH07	2 1/2"	310.00	101.50	95.90	280.60	81.10	610.20
OTLAH08	3"	322.00	112.20	108.50	315.10	82.70	1,275.00

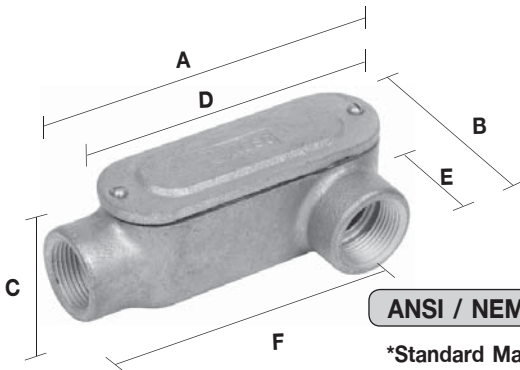
\*Optional Material : Aluminium


**ANSI / NEMA FB 1 - L.B. CONDULET CAST IRON LIQUID - TIGHT IP 54**

**\*Standard Material :** Cast Iron      **\*Standard Finishing :** Hot - Dip Galvanized  
 # Bodies - Cast Iron    # Cover - Cast Iron    # Screws - Stainless Steel

Catalog No.	Size (in)	Dimensions (mm.)						Weight (Kg.) Per 100
		A	B	C	D	E	F	
LBLAH01	1/2"	119.13	35.15	35.69	100.70	36.47	92.45	56.00
LBLAH02	3/4"	137.44	39.80	44.67	118.34	40.51	107.00	71.40
LBLAH03	1"	152.00	46.02	48.94	136.58	42.95	139.02	100.20
LBLAH04	1 1/4"	180.00	59.11	63.04	163.00	54.31	141.20	162.80
LBLAH05	1 1/2"	208.00	65.62	72.28	182.00	62.60	170.00	197.20
LBLAH06	2"	252.00	79.92	87.84	240.00	59.81	200.00	356.40
LBLAH07	2 1/2"	304.50	97.50	98.20	275.10	79.60	232.50	615.00
LBLAH08	3"	311.20	117.90	118.80	314.10	81.00	240.00	648.20
LBLAH09	3 1/2"	440.10	128.50	128.60	365.10	101.10	296.10	1,410.00
LBLAH10	4"	485.00	150.20	162.50	383.00	108.12	300.20	1,850.00

\*Optional Material : Aluminium

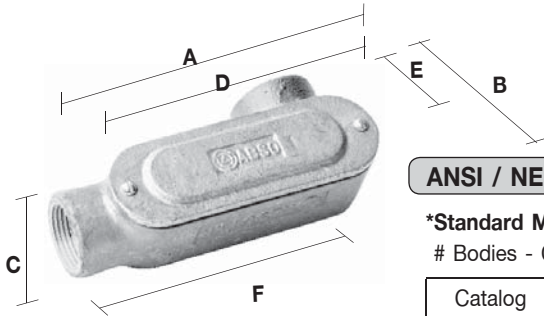

**ANSI / NEMA FB 1 - L.L. CONDULET CAST IRON LIQUID - TIGHT IP 54**

**\*Standard Material :** Cast Iron      **\*Standard Finishing :** Hot - Dip Galvanized  
 # Bodies - Cast Iron    # Cover - Cast Iron    # Screws - Stainless Steel

Catalog No.	Size (in)	Dimensions (mm.)						Weight (Kg.) Per 100
		A	B	C	D	E	F	
LLLHA01	1/2"	119.20	35.20	35.50	100.50	35.50	90.60	55.60
LLLHA02	3/4"	137.40	41.00	43.45	118.50	40.10	105.60	71.50
LLLHA03	1"	150.20	46.60	47.90	135.90	42.00	128.70	100.00
LLLHA04	1 1/4"	179.20	60.50	62.80	164.00	51.80	143.10	161.50
LLLHA05	1 1/2"	206.50	66.65	71.40	184.40	60.25	165.80	198.20
LLLHA06	2"	252.10	79.90	87.00	240.15	65.80	195.00	360.00
LLLHA07	2 1/2"	300.30	98.80	98.20	275.20	79.50	231.50	618.40
LLLHA08	3"	381.50	115.90	119.50	300.00	80.90	238.80	648.60
LLLHA09	3 1/2"	388.60	128.20	130.40	369.00	100.90	295.00	1,420.00
LLLHA10	4"	489.10	151.60	165.80	382.20	107.90	299.60	1,860.00

\*Optional Material : Aluminium





**ANSI / NEMA FB 1 - L.R. CONDULET CAST IRON LIQUID - TIGHT IP 54**

\*Standard Material : Cast Iron    \*Standard Finishing : Hot - Dip Galvanized  
# Bodies - Cast Iron    # Cover - Cast Iron    # Screws - Stainless Steel

Catalog No.	Size (in)	Dimensions (mm.)						Weight (Kg.) Per 100
		A	B	C	D	E	F	
LRLAH01	1/2"	118.50	35.10	35.40	98.80	35.10	90.50	55.50
LRLAH02	3/4"	136.80	41.40	42.50	118.00	40.00	104.40	70.80
LRLAH03	1"	150.20	46.50	47.70	135.50	41.90	126.80	99.50
LRLAH04	1 1/4"	178.50	60.40	62.30	163.20	53.40	142.20	160.20
LRLAH05	1 1/2"	205.10	65.90	71.70	184.40	59.90	164.50	189.30
LRLAH06	2"	252.20	79.50	86.90	240.25	65.40	195.20	350.40
LRLAH07	2 1/2"	300.90	98.50	98.10	265.50	78.60	222.00	610.18
LRLAH08	3"	380.20	114.80	118.80	302.50	88.70	238.80	650.20
LRLAH09	3 1/2"	385.60	129.00	130.80	380.50	100.95	296.60	1,410.80
LRLAH10	4"	487.70	150.60	156.60	396.90	108.80	298.10	1,850.80

\*Optional Material : Aluminium

**ANSI / NEMA FB 1 - HOT - DIP BLANK FOR O.C. , T.B. , O.T. , L.B. , L.L. , L.R.**

\*Standard Material : Cast Iron    \*Standard Finishing : Hot-Dip Galvanized  
# Cover - Cast Iron    # Screws - Stainless Steel

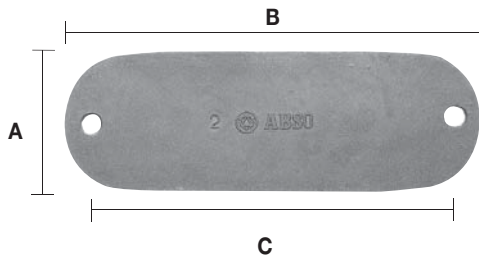
Catalog No.	Hub Size	Dimensions (mm.)			Thickness	O.D.Hole (mm.)	Weight Each
		A	B	C			
CLBH01	1/2"	34	97	84	4	5	95 g.
CLBH02	3/4"	40	119	104	4	5	140 g.
CLBH03	1"	45	135	124	4	6	190 g.
CLBH04	1 1/4"	57	163	153	4	6	289 g.
CLBH05	1 1/2"	64	186	164	4	6	350 g.
CLBH06	2"	77	240	216	4	7	520 g.
CLBH07	2 1/2"	95	276	259	4	7	985 g.
CLBH08	3"	108	303	287	5	8	1,200 g.
CLBH09	3 1/2"	123	370	340	6	9	2,000 g.
CLBH10	4"	130	374	351	6	9	2,300 g.



\*Optional Material : Aluminium

**ANSI / NEMA FB 1 - NEOPRENE GASKET FOR O.C. , T.B. , O.T. , L.B. , L.L. , L.R.**

\*Standard Material : Neoprene Gasket



Catalog No.	Hub Size	Dimensions (mm.)			Thickness	O.D.Hole (mm.)	Weight Each
		A	B	C			
NG01	1/2"	34	97	84	2	5	13 g.
NG02	3/4"	40	119	104	2	5	15 g.
NG03	1"	45	135	124	2	6	22 g.
NG04	1 1/4"	57	163	153	2	6	31 g.
NG05	1 1/2"	64	186	164	2	6	37 g.
NG06	2"	77	240	216	2	7	60 g.
NG07	2 1/2"	95	276	259	3	7	105 g.
NG08	3"	108	303	287	3	8	125 g.
NG09	3 1/2"	123	370	340	3	9	180 g.
NG10	4"	130	374	351	3	9	195 g.



**ANSI / NEMA FB 1 - CONDUIT OUTLET BOXES IP 54**

**CAST IRON HOT-DIP GALVANIZED  
COVER & NEOPRENE GASKET FOR RIGID, IMC CONDUIT (NPT)**

**Application :**

**GUAE, GUAC, GUAL, GUAT**

**GUAX** series conduit outlet boxes are installed within hazardous area conduit systems to :

- # protect conductors in threaded RSC, IMC conduit
- # act as pull and splices boxes interconnect lengths of conduit
- # change conduit direction
- # provide access to conductors for maintenance and future system changes
- # act as mounting outlets for fixtures (with appropriate covers)
- # act as sealing fitting (with appropriate cover)

**Features :**

**GUAE, GUAC, GUAL, GUAT**

**GUAX** conduit outlet boxes have:

- # threaded cover openings
- # six different hub arrangements
- # taper threaded hubs to provide ground continuity
- # smooth integral hub bushing when pulling
- # surface covers furnished with bodies
- # flush covers with extension flanges for covering plaster line, sealing covers, dome covers, and fixture hanger covers are to special order.

**Standard Materials :**

- # Bodies - Cast Iron
- # Covers - Cast Iron

**Optional Materials :**

- # Aluminium

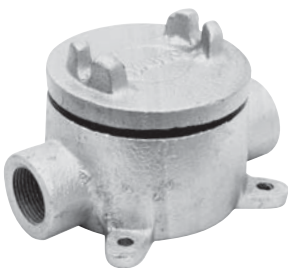
**Standard Finishing :**

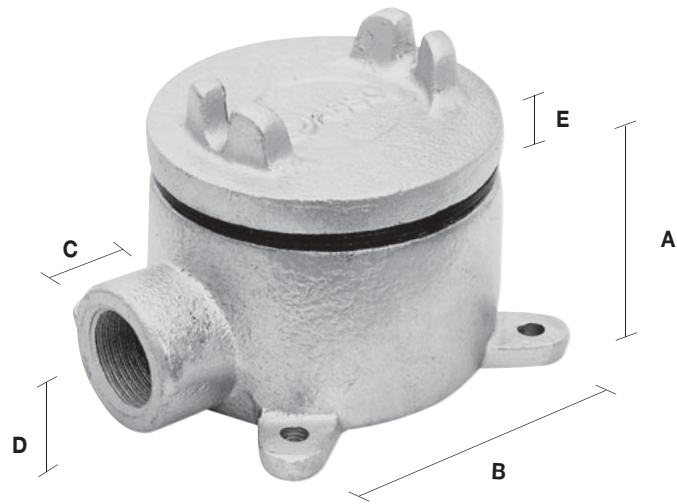
- # Hot-Dip Galvanized & Enamel Clear Coat
- # Powder Coat :  
Information Available On Request

**Size Ranges :**

- # Hub - 1/2" to 2" Size
- # Cover Opening 3" - 5" Dia.

**NOTE :** When assembled with sealing type cover, GUA series outlet boxes provide adequate sealing for hazardous areas-Class I, Groups C, D, Class II, Groups E, F, G ; and Class III, Seals can be made in either horizontal or vertical positions. Use Chico "A" sealing compound only. Conductor splices or connections must not be made in enclosures where sealing compound is to be used per NEC

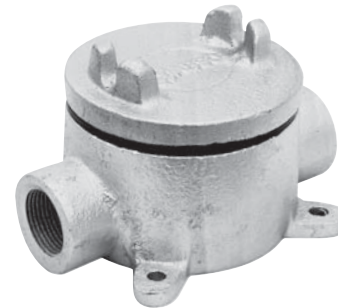




**GUAE 1 WAY**



**GUAL 2 WAY**



**GUAC 2 WAY**



**GUAT 3 WAY**



**GUAX 4 WAY**

**ANSI / NEMA FB 1 - CONDUIT OUTLET BOXES IP 54**

**\*Standard Materials : Cast Iron & Neoprene Gasket**

**\*Standard Finishing : Hot-Dip Galvanized & Enamel Clear Coat**

Catalog No.	Size (in)	Dimensions (mm.)					Weight (Kg.) Per 100				
		A	B	C	D	E	AE	AC	AL	AT	AX
GUA AH01	1/2"	53.00	90.80	21.80	19.50	8.45	142.75	166.50	163.50	181.00	196.00
GUA AH02	3/4"	55.00	92.80	23.30	20.30	8.45	128.25	165.50	159.50	159.50	173.50
GUA AH03	1"	62.00	101.55	25.20	25.00	8.00	193.00	153.50	152.00	176.00	176.50
GUA AH04	1 1/4"	66.00	112.50	25.50	28.25	8.00	250.75	328.50	322.75	335.00	365.25
GUA AH05	1 1/2"	98.25	152.40	26.40	32.50	8.00	270.20	474.00	509.50	514.50	513.00
GUA AH06	2"	103.15	154.30	26.40	47.25	7.75	484.50	506.00	500.50	541.50	560.50

**\*Optional Material : Aluminium**



**ANSI / NEMA FB 1 - CIRCULAR JUNCTION BOXES IP 41**

**CAST IRON HOT-DIP GALVANIZED  
COVER & NEOPRENE GASKET FOR RIGID, IMC CONDUIT (NPT)**

**Application :**

**CJBE , CJBC , CJBL , CJBT , CJBX** cast outlet boxes are installed in threaded Rigid and IMC conduit

**System to :**

- # act as junction boxes
- # act as pull outlet for conductor to be installed in a conduit system ( with blank cover ; gasketed or ungasketed )
- # accept round base wiring devices and covers intended for use on 4" outlet boxes
- # act as support for lighting fixtures ( with hub and fixture hanging covers )
- # provide access to conductors for maintenance and future system changes

**Features :**

- # Surface mounting. Flush mounting can be obtained by nailing box to concrete form through mounting lug
- # Drilled mounting lugs
- # Four conduit bosses spaced 90 apart on sides and one boss on back
- # Blank or drilled and tapped bodies

**Standard Materials :**

- # Bodies - Cast Iron
- # Cover - Cast Iron
- # Screws - Stainless Steel

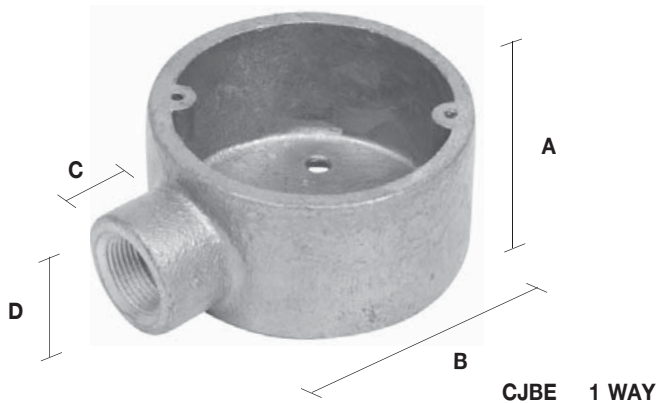
**Standard Finishing :**

- # Hot - Dip Galvanized & Enamel Clear Coat
- # Powder Coat : Information Available On Request

**Size Ranges :**

- # Hub - 1/2" to 1" Size
- # Cover 4" dia.





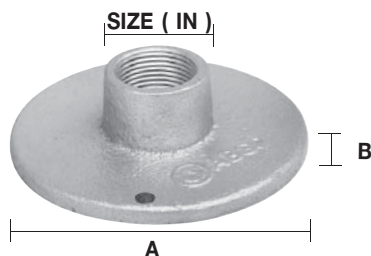
**ANSI / NEMA FB 1 - CIRCULAR JUNCTION BOXES IP 41**

\*Standard Material : Cast Iron    \*Standard Finishing : Hot - Dip Galvanized

Catalog No.	Size (in)	Dimensions (mm.)				Weight (Kg.) Per 100
		A	B	C	D	
CJBEAH01	1/2"	48.00	99.50	20.00	39.90	123.00
CJBEAH02	3/4"	48.00	99.50	20.00	39.90	95.30
CJBEAH03	1"	48.00	99.50	26.00	44.30	89.00
CJBCAH01	1/2"	48.00	99.50	20.00	39.90	128.00
CJBCAH02	3/4"	48.00	99.50	20.00	39.90	95.50
CJBCAH03	1"	48.00	99.50	26.00	44.30	95.50
CJBLAH01	1/2"	48.00	99.50	20.00	39.90	129.00
CJBLAH02	3/4"	48.00	99.50	20.00	39.90	95.50
CJBLAH03	1"	48.00	99.50	26.00	44.30	95.00
CJBTAH01	1/2"	48.00	99.50	20.00	39.90	143.00
CJBTAH02	3/4"	48.00	99.50	20.00	39.90	100.50
CJBTAH03	1"	48.00	99.50	26.00	44.30	112.00
CJBXAH01	1/2"	48.00	99.50	20.00	39.90	165.50
CJBXAH02	3/4"	48.00	99.50	20.00	39.90	119.00
CJBXAH03	1"	48.00	99.50	26.00	44.30	119.00

**ANSI / NEMA FB 1 - HUB COVER & NEOPRENE GASKET FOR SUPPORT LIGHTING ( PENDANT )**

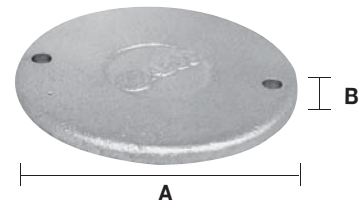
\*Standard Material : Cast Iron  
\*Standard Finishing : Hot - Dip Galvanized



Catalog No.	Size (in)	Dimensions (mm.)		Weight (Kg.) Per 100
		A	B	
CHCBAH01	1/2"	99.50	6.5	39.00
CHCBAH02	3/4"	99.50	6.5	36.50
CHCBAH03	1"	99.50	6.5	37.00
CHCBAH04	1 1/4"	99.50	6.5	39.00
CHCBAH05	1 1/2"	99.50	6.5	43.50
CHCBAH06	2"	99.50	6.5	50.50

**ANSI / NEMA FB 1 - BLANK COVER & NEOPRENE GASKET**

\*Standard Material : Cast Iron  
\*Standard Finishing : Hot - Dip Galvanized



Catalog No.	Size (in)	Dimensions (mm.)		Weight (Kg.) Per 100
		A	B	
CBCH	-	99.50	6.5	41.50


**FS. BOX 1 GANG 2"X4"  
1 WAY**

**FSC. BOX 1 GANG 2"X4"  
ACROSS**

**FSS. BOX 1 GANG 2"X4" DOU-  
BLE**

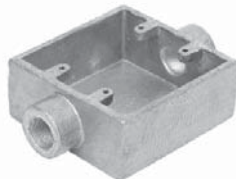
**FSCC. BOX 1 GANG 2"X4"  
3 WAY**

**FS. BOX 1 GANG 2"X4"  
1 WAY (OUTSIDE 4")**

**FSC. BOX 1 GANG 2"X4"  
ACROSS (OUTSIDE 4")**

**FSS. BOX 1 GANG 2"X4" DOU-  
BLE (OUTSIDE 4")**

**FSCC. BOX 1 GANG 2"X4"  
3 WAY (OUTSIDE 4")**

**FS. BOX 2 GANG 4"X4"  
1 WAY**

**FSC. BOX 2 GANG 4"X4"  
ACROSS**

**FSS. BOX 2 GANG 4"X4" DOU-  
BLE**

**FSD. BOX 2 GANG 4"X4"  
3 WAY**

<b>ANSI / NEMA FB 1 – FS BOXES 2" X 4" ONE GANG.</b>	<b>IP 41</b>
<b>ANSI / NEMA FB 1 – FS BOXES 4" X 4" TWO GANG.</b>	<b>IP 41</b>

**Application :**
**FS, FSC, FSS, FSCC 2"X4" ONE GANG**
**FS, FSC, FSS, FSD 4"X4" TWO GANG**
**Cast device boxes are installed to :**

- # protect conductor in threaded RSC, IMC conduit
- # interconnect lengths of conduit
- # accommodate wiring devices
- # act as pull boxes for conductors in a conduit system
- # provide openings to make splices and taps in conductors
- # provide access to conductors for maintenance and future system changes
- # connect conduit sections

**Features :**

FS, FSC, FSS, FSCC 2"X4" ONE GANG

FS, FSC, FSS, FSD 4"X4" TWO GANG

# Available for surface mounting

# Covers for flush mounting extend to conceal the rough plaster line

# Available in single gang and two gang configurations with hubs, and as blank

**Standard Materials :**

# Cast Iron

# Screws - Stainless Steel

**Standard Finishing :**

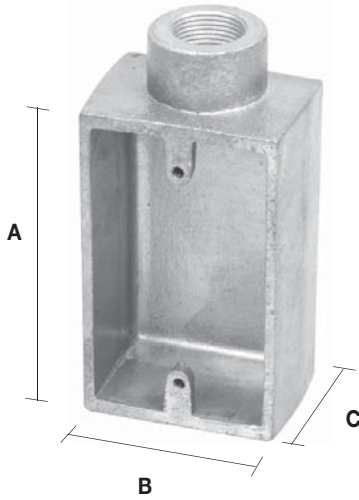
# Hot-Dip Galvanized &amp; Enamel Clear Coat

**Size Ranges :**

# 1/2", 3/4", 1"

**ANSI / NEMA FB 1 - FS BOXES 2" X 4" ONE GANG. IP 41**

\*Standard Material : Cast Iron # Screws - Stainless Steel  
\*Standard Finishing : Hot - Dip Galvanized & Enamel Clear Coat



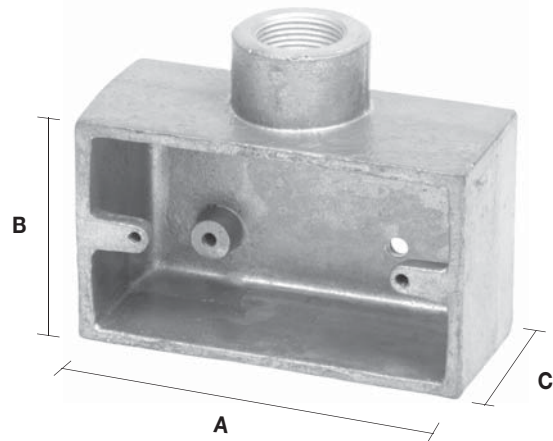
Catalog No.	Size (in)	Dimensions (mm.)			Weight (Kg.) Per 100
		A	B	C	
FS1AH01	1/2"	121.74	72.71	51.80	100.50
FS1AH02	3/4"	121.62	71.85	51.30	95.00
FS1AH03	1"	121.16	72.55	51.39	81.00
FSC1AH01	1/2"	121.80	72.75	51.85	115.50
FSC1AH02	3/4"	121.60	71.95	51.40	104.50
FSC1AH03	1"	121.20	72.60	51.40	107.50
FSS1AH01	1/2"	121.85	71.45	51.05	102.50
FSS1AH02	3/4"	121.90	71.50	51.00	91.50
FSCC1AH01	1/2"	120.66	72.06	51.20	108.50
FSCC1AH02	3/4"	120.65	72.10	51.05	104.00

\*Optional Material : Aluminium

**ANSI / NEMA FB 1 - FS BOXES 2" x 4" ( OUTSIDE 4" ) IP 41**

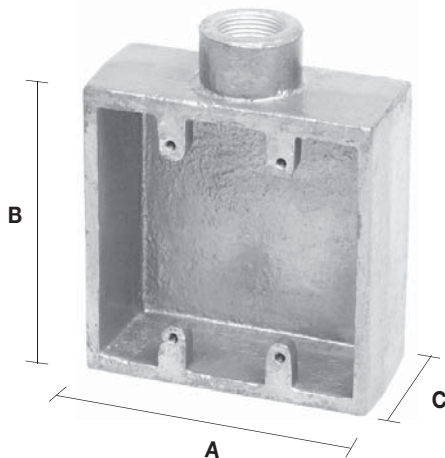
\*Standard Material : Cast Iron  
\*Standard Finishing : Hot-Dip Galvanized & Enamel Clear Coat

Catalog No.	Size (in)	Dimensions (mm.)			Weight (Kg.) Per 100
		A	B	C	
FS1AH01S	1/2"	122.30	72.51	52.92	110.00
FS1AH02S	3/4"	122.36	70.95	50.65	104.50
FS1AH03S	1"	122.35	72.50	51.60	89.50
FSC1AH01S	1/2"	121.89	71.43	52.42	110.75
FSC1AH02S	3/4"	121.79	73.40	52.40	119.00
FSC1AH03S	1"	121.80	72.45	52.41	115.00
FSS1AH01S	1/2"	120.11	71.52	52.48	111.00
FSS1AH02S	3/4"	120.10	71.50	52.50	101.00
FSCC1AH01S	1/2"	122.21	73.85	54.23	110.20
FSCC1AH02S	3/4"	121.67	73.90	54.25	124.50



**ANSI / NEMA FB 1 - FS BOXES 4" X 4" TWO GANG. IP 41**

\*Standard Material : Cast Iron # Screws - Stainless Steel  
\*Standard Finishing : Hot - Dip Galvanized & Enamel Clear Coat



Catalog No.	Size (in)	Dimensions (mm.)			Weight (Kg.) Per 100
		A	B	C	
FS2AH01	1/2"	117.95	123.28	51.20	150.00
FS2AH02	3/4"	117.90	123.30	51.20	149.50
FS2AH03	1"	117.96	123.25	51.25	151.00
FSC2AH01	1/2"	116.95	120.10	50.04	148.00
FSC2AH02	3/4"	119.37	120.85	51.20	157.00
FSC2AH03	1"	119.40	120.90	51.30	142.50
FSS2AH01	1/2"	118.10	119.67	50.72	159.00
FSS2AH02	3/4"	121.49	118.66	51.80	160.50
FSD2AH01	1/2"	121.50	118.65	51.80	158.00
FSD2AH02	3/4"	121.45	118.70	51.85	165.50
FSD2AH03	1"	121.45	118.70	51.85	143.00

\*Optional Material : Aluminium



**DEVICE BOX 3 1/2" X 3 1/2"**  
**DOUBLE**



**DEVICE BOX 3 1/2" X 3 1/2"**  
**3 WAY**



**DEVICE BOX 3 1/2" X 3 1/2"**  
**3 WAY WITH COVER**



**FS. BOX 3" X 5"**  
**1 WAY (OUTSIDE 5")**  
\* FS35AH01S  
\* FS35AH02S



**FSC. BOX 3" X 5"**  
**ACROSS (OUTSIDE 5")**  
\* FSC35AH01S  
\* FSC35AH02S



**DEVICE BOX 3" X 4 1/2"**  
**1 WAY (OUTSIDE 4 1/2")**



**FS BOXES 3" X 5"**  
**1 WAY (OUTSIDE 3")**

**ANSI / NEMA FB 1 - SPECIAL CONDULET CAST IRON IP 41**

**DEVICE BOXES 3 1/2" X 3 1/2"**

**DEVICE BOXES 3" X 4 1/2"**

**Application :**

**DEVICE BOXES 3 1/2" X 3 1/2"**

**DEVICE BOXES 3" X 4 1/2"**

Cast device boxes are installed to:

- # protect conductors in threaded RSC, IMC conduit
- # to use switch and receptacle
- # interconnect lengths of conduit
- # accommodate wiring devices
- # act as pull boxes for conductors in a conduit system
- # provide openings to make splices and taps in conductors
- # provide access to conductors for maintenance and future system changes
- # connect conduit sections

**Features :**

DEVICE BOXES 3 1/2" X 3 1/2"

DEVICE BOXES 3" X 4 1/2"

# Available for surface mounting

# Covers for flush mounting extend to conceal the rough plaster line

# Available in single gang - three gang configurations without hubs,

**Standard Materials :**

# Cast Iron

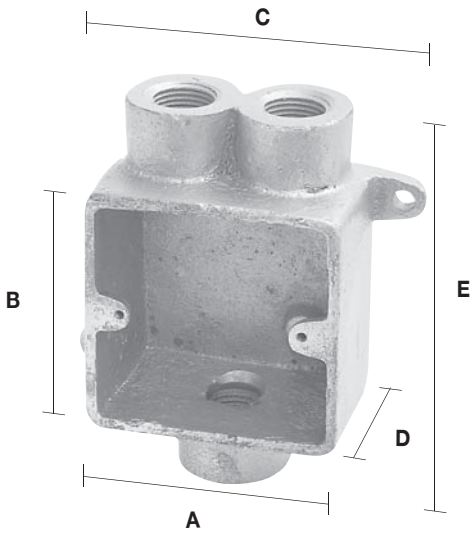
**Standard Finishing :**

# Hot-Dip Galvanized & Enamel Clear Coat

**Size Ranges :**

# 1/2", 3/4"





**ANSI / NEMA FB 1 - DEVICE BOXES 3 1/2" X 3 1/2" IP 41**

\*Standard Material : Cast Iron

\*Standard Finishing : Hot-Dip Galvanized & Enamel Clear Coat

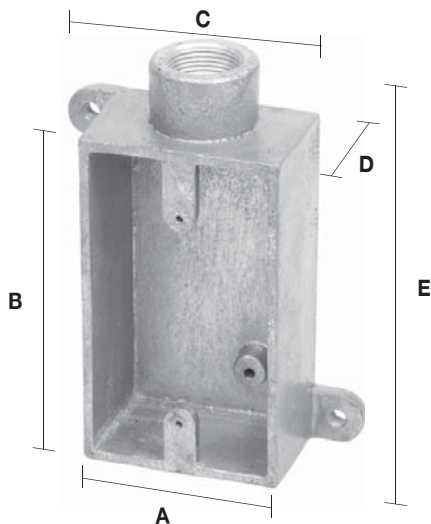
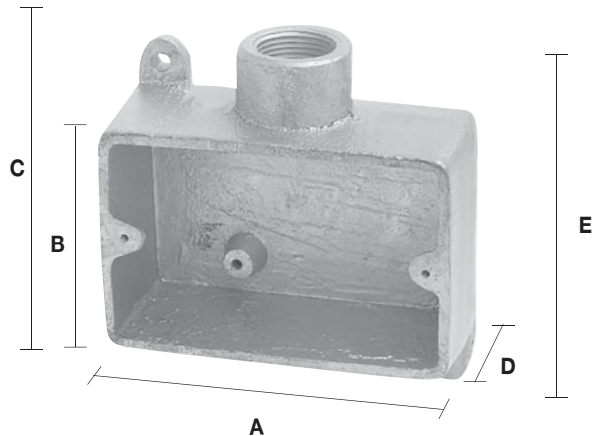
Catalog No.	Size (in)	Dimensions (mm.)					Weight (Kg.) Per 100
		A	B	C	D	E	
DBAH1S01	1/2"	86.95	86.14	120.61	53.11	110.42	83.00
DBAH1S02	3/4"	87.00	87.00	120.50	53.00	133.00	79.00
DBAH1C01	1/2"	87.00	86.50	120.60	53.10	108.83	96.50
DBAH1C02	3/4"	87.00	86.80	120.50	53.10	110.40	91.00
DBAH1SS01	1/2"	87.10	86.90	120.55	53.12	110.20	89.50
DBAH1SS02	3/4"	87.00	87.00	120.50	53.15	110.40	79.00
DBAH1SCC01	1/2"	87.20	87.00	120.60	53.10	110.50	108.00
DBAH1SCC02	3/4"	86.99	86.90	120.60	53.11	111.00	108.50

**ANSI / NEMA FB 1 - DEVICE BOXES 3" X 4 1/2" IP 41**

\*Standard Material : Cast Iron

\*Standard Finishing : Hot - Dip Galvanized & Enamel Clear Coat

Catalog No.	Size (in)	Dimensions (mm.)					Weight (Kg.) Per 100
		A	B	C	D	E	
DBAH2S01	1/2"	118.32	77.01	110.47	51.55	101.41	92.50
DBAH2S02	3/4"	119.35	76.93	109.98	51.05	99.10	90.50



**ANSI / NEMA FB 1 - FS BOXES 3" X 5" ( OUTSIDE 3" ) IP 41**

\*Standard Material : Cast Iron

\*Standard Finishing : Hot-Dip Galvanized & Enamel Clear Coat

Catalog No.	Size (in)	Dimensions (mm.)					Weight (Kg.) Per 100
		A	B	C	D	E	
FS35AH01	1/2"	76.90	132.40	98.20	51.60	157.30	112.00
FS35AH02	3/4"	76.90	132.46	98.30	51.65	157.38	103.00

\* FS35AH01S

\* FS35AH02S

Are Available On Request

\* FSC35AH01S

\* FSC35AH02S

**ANSI / NEMA FB 1 - LOCKNUTS HOT-DIP GALVANIZED FOR RIGID, IMC CONDUIT (NPT)**
**Application :**

Conduit Locknuts (NPT) Heavy gauge mild-steel or cast iron construction and tapped with special locknut-size tap to allow for maximum number of conduit variations Can be easily tightened with screw driver and pliers. Concave notches insure positive ground connection

**Features :**

- # The locknut tightens up against the box without deforming
- # The locknut bites into the box providing a positive ground
- # The fitting can be tightened from outside and inside the box

**Standard Materials :**

- # Sheet Steel (1/2" - 4" size)
- # Cast Iron (1/2" - 6" size)

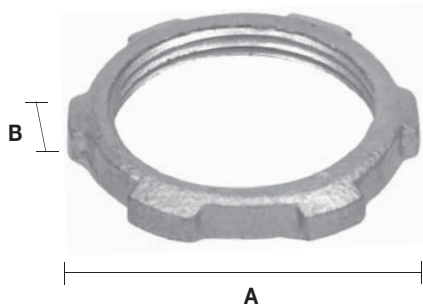
**Standard Finishing :**

- # Hot-Dip Galvanized & Enamel Clear Coat

**Option Finishing :** Zinc Electroplate

**Size Ranges :**

- # 1/2" - 6" size


**ANSI / NEMA FB 1 - LOCKNUTS**

\*Standard Material : Cast Iron

\*Standard Finishing : Hot-Dip Galvanized

Catalog No.	Size (in)	Dimensions (mm.)		Weight (Kg.) Per 100
		A	B	
LNAH01	1/2"	31.20	5.80	1.05
LNAH02	3/4"	36.25	9.10	1.05
LNAH03	1"	44.40	10.40	2.05
LNAH04	1 1/4"	55.25	11.60	4.50
LNAH05	1 1/2"	67.40	15.55	4.55
LNAH06	2"	78.00	18.80	6.50
LNAH07	2 1/2"	93.40	17.60	14.00
LNAH08	3"	108.50	27.30	20.00
LNAH09	3 1/2"	119.50	20.40	20.05
LNAH10	4"	137.30	32.60	33.00
LNAH11	5"	174.89	32.60	47.50
LNAH12	6"	201.60	32.60	62.00

**ANSI / NEMA FB 1 - LOCKNUTS**

\*Standard Material : Sheet Steel

\*Standard Finishing : Hot-Dip Galvanized

Catalog No.	Size (in)	Dimensions (mm.)		Weight (Kg.) Per 100
		A	B	
LNSAH01	1/2"	30.48	6.27	1.00
LNSAH02	3/4"	36.48	6.93	1.00
LNSAH03	1"	44.52	7.08	2.00
LNSAH04	1 1/4"	53.40	11.88	2.05
LNSAH05	1 1/2"	61.77	10.72	3.00
LNSAH06	2"	74.65	11.44	3.05
LNSAH07	2 1/2"	88.87	15.65	5.00
LNSAH08	3"	106.71	17.51	6.50
LNSAH09	3 1/2"	121.07	17.51	8.00
LNSAH10	4"	133.56	19.34	10.50

\* Option Finishing : Zinc Electroplate

**ANSI / NEMA FB 1 – GROUNDING INSULATED BUSHINGS / INSULATED BUSHINGS  
HOT-DIP GALVANIZED FOR RIGID, IMC CONDUIT (NPT)**

**Application :**

Conduit Bushings(NPT) Heavy gauge mild-steel or cast iron construction and tapped with special bushing-size tap to allow for maximum number of conduit variations Can be easily tightened with screw driver and pliers. Concave notches insure positive ground connection

**Features :**

- # The bushing tightens up against the box without deforming
- # The bushing bites into the box providing a positive ground
- # The fitting can be tightened from inside the box

**Standard Materials :**

- # Sheet Steel (1/2" - 4" size)
- # Cast Iron (1/2" - 6" size)

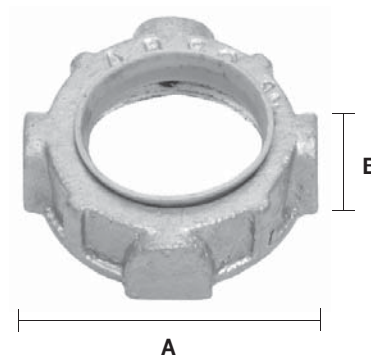
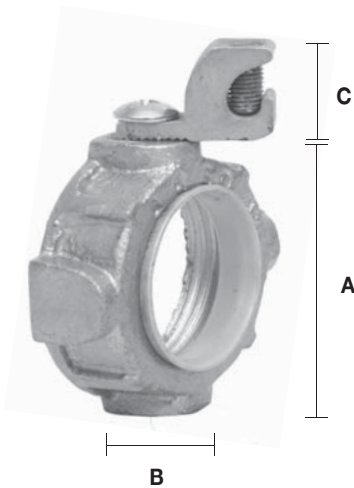
**Standard Finishing :**

- # Hot-Dip Galvanized & Enamel Clear Coat

**Option Finishing : Zinc Electroplate**

**Size Ranges :**

- # 1/2" - 6" size



**ANSI / NEMA FB 1  
GROUNDING INSULATED BUSHINGS**

\*Standard Material : Cast Iron

# Screws : Stainless Steel

\*Standard Finishing : Hot - Dip Galvanized

Catalog No.	Size (in)	Dimensions (mm.)			Weight (Kg.) Per 100
		A	B	C	
GBAH01	1/2"	30.75	13.95	19.00	5.00
GBAH02	3/4"	32.40	14.24	19.00	7.00
GBAH03	1"	44.50	14.92	19.00	9.50
GBAH04	1 1/4"	52.90	16.12	19.00	12.90
GBAH05	1 1/2"	57.70	18.32	19.00	13.00
GBAH06	2"	75.80	19.50	29.50	23.50
GBAH07	2 1/2"	90.40	15.90	29.50	32.00
GBAH08	3"	102.40	24.00	29.50	34.50
GBAH09	3 1/2"	116.50	24.00	29.50	53.00
GBAH10	4"	134.00	24.00	38.25	80.00
GBAH11	5"	155.25	24.25	38.25	63.00
GBAH12	6"	185.90	24.25	38.25	102.50

**ANSI / NEMA FB 1  
INSULATED BUSHINGS**

\*Standard Material : Cast Iron

\*Standard Finishing : Hot - Dip Galvanized

Catalog No.	Size (in)	Dimensions (mm.)		Weight (Kg.) Per 100
		A	B	
INBH01	1/2"	30.75	13.95	2.50
INBH02	3/4"	32.40	14.24	5.00
INBH03	1"	44.50	14.92	7.00
INBH04	1 1/4"	52.90	16.12	10.50
INBH05	1 1/2"	57.70	18.32	11.00
INBH06	2"	71.80	19.50	15.50
INBH07	2 1/2"	90.40	15.90	25.00
INBH08	3"	102.40	24.00	28.50
INBH09	3 1/2"	116.50	24.00	37.00
INBH10	4"	134.00	24.00	63.00
INBH11	5"	155.25	24.25	46.50
INBH12	6"	185.90	24.25	87.00

**ANSI / NEMA FB 1 – BUSHINGS HOT-DIP GALVANIZED FOR RIGID, IMC CONDUIT (NPT)**
**Application :**

Conduit Bushings(NPT) Heavy gauge mild-steel or cast iron construction and tapped with special bushing-size tap to allow for maximum number of conduit variations  
 Can be easily tightened with screw driver and pliers.  
 Concave notches insure positive ground connection

**Features :**

- # The bushing tightens up against the box without deforming
- # The bushing bites into the box providing a positive ground
- # The fitting can be tightened from inside the box

**Standard Materials :**

- # Sheet Steel (1/2" - 4" size)
- # Cast Iron (1/2" - 6" size)

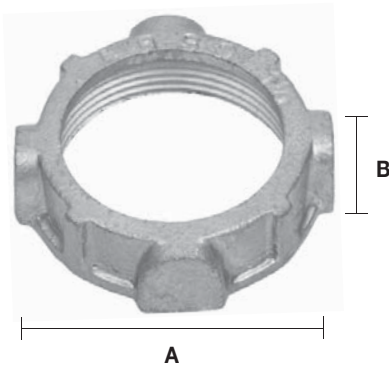
**Standard Finishing :**

- # Hot-Dip Galvanized & Enamel Clear Coat

**Option Finishing :** Zinc Electroplate

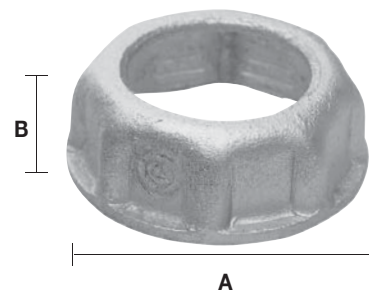
**Size Ranges :**

- # 1/2" - 6" size


**ANSI / NEMA FB 1  
 BUSHINGS**
**\*Standard Material :** Cast Iron

**\*Standard Finishing :** Hot-Dip Galvanized

Catalog No.	Size (in)	Dimensions (mm.)		Weight (Kg.) Per 100
		A	B	
BHCAH01	1/2"	30.75	13.95	2.50
BHCAH02	3/4"	32.40	14.24	5.00
BHCAH03	1"	44.50	14.92	7.00
BHCAH04	1 1/4"	52.90	16.12	10.50
BHCAH05	1 1/2"	57.70	18.32	11.00
BHCAH06	2"	71.80	19.50	15.50
BHCAH07	2 1/2"	90.40	15.90	24.50
BHCAH08	3"	102.40	24.00	26.50
BHCAH09	3 1/2"	116.50	24.00	34.50
BHCAH10	4"	134.00	24.00	62.50
BHCAH11	5"	155.25	24.25	44.00
BHCAH12	6"	185.90	24.25	84.00


**ANSI / NEMA FB 1  
 BUSHINGS**
**\*Standard Material :** Sheet Steel

**\*Standard Finishing :** Hot - Dip Galvanized

Catalog No.	Size (in)	Dimensions (mm.)		Weight (Kg.) Per 100
		A	B	
BHAH01	1/2"	27.71	12.59	1.50
BHAH02	3/4"	32.75	11.65	2.00
BHAH03	1"	40.56	13.25	2.50
BHAH04	1 1/4"	50.05	13.70	4.00
BHAH05	1 1/2"	55.44	13.98	4.50
BHAH06	2"	67.91	13.84	6.00
BHAH07	2 1/2"	83.26	16.57	9.50
BHAH08	3"	99.85	20.42	14.50
BHAH09	3 1/2"	109.21	20.30	16.00
BHAH10	4"	124.14	20.16	17.50

**\* Option Finishing :** Zinc Electroplate

**ANSI / NEMA FB 1 - ERICKSON COUPLINGS CAST IRON  
HOT-DIP GALVANIZED FOR RIGID, IMC CONDUIT (NPT)**

**Application :**

- # 3 piece couplings for RSC conduit or intermediate metal conduit, indoors or outdoors. can be easily installed on a piece of in-place conduit or a cut conduit end without using hand dies or a thread cutter. 3 piece unions are installed in conduit systems :
- # to join threaded conduit
- # to connect conduit to a conduit fitting, junction box or device enclosure when used with a standard threaded close nipple
- # to provide a means for future modifications of the conduit system
- # for emergency repair work
- # where conventional threading equipment is unavailable or cumbersome to use

**Standard Materials :**

- # Body - Cast Iron

**Standard Finishing :**

- # Hot-Dip Galvanized & Enamel Clear Coat
- # Powder Coat : Information available on request

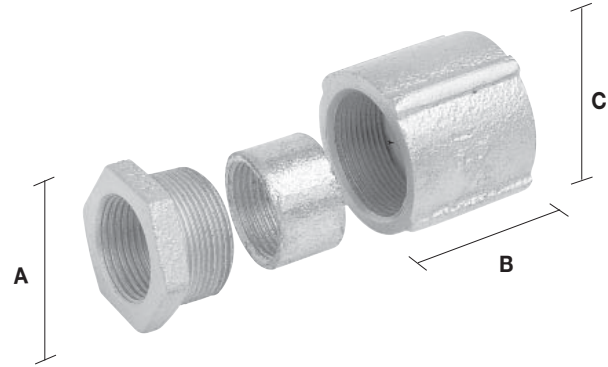
**Option Finishing :** Zinc Electroplate

**Size ranges :**

- # 1/2" to 6" Size

**Features :**

- # Quick and easy installation
- # Superior pullout strength
- # Provides strong watertight, raintight and concretetight connection
- # Standard electrical female threads for conduit
- # Rolls threads on conduit, does not remove protective plating, provides superior ground continuity
- # 3 piece couplings is rigid and in line and vibration will not loosen the connections



**ERICKSON COUPLING**

\*Standard Material : Cast Iron

\*Standard Finishing : Hot-Dip Galvanized

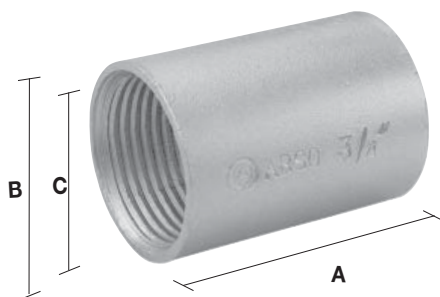
Catalog No.	Size (in)	Dimensions (mm.)			Weight (Kg.) Per 100
		A	B	C	
ECPAH01	1/2"	31.34	39.23	33.59	13.50
ECPAH02	3/4"	37.40	47.94	44.32	30.50
ECPAH03	1"	44.20	54.64	47.24	34.50
ECPAH04	1 1/4"	55.94	55.32	57.26	51.50
ECPAH05	1 1/2"	64.25	57.61	63.06	56.50
ECPAH06	2"	78.32	59.00	80.00	94.50
ECPAH07	2 1/2"	103.20	61.20	80.96	113.00
ECPAH08	3"	110.73	81.30	95.80	209.20
ECPAH09	3 1/2"	129.07	97.80	128.18	334.00
ECPAH010	4"	143.61	99.40	138.65	363.20
ECPAH011	5"	162.60	87.10	167.40	468.50
ECPAH012	6"	196.90	98.30	200.60	679.00

\* Option Finishing : Zinc Electroplate

**COUPLING R.G.**

\*Standard Material : Hot-Rolled Steel Strip

\*Standard Finishing : Hot-Dip Galvanized



Catalog No.	Size (in)	Dimensions (mm.)			Weight (Kg.) Per 100
		A	B	C	
CPRAH01	1/2"	40.60	26.25	19.30	5.40
CPRAH02	3/4"	42.25	31.50	24.60	7.30
CPRAH03	1"	49.50	38.00	30.80	12.50
CPRAH04	1 1/4"	50.25	47.00	39.50	14.00
CPRAH05	1 1/2"	53.30	54.70	45.60	23.60
CPRAH06	2"	55.50	67.50	57.60	33.50
CPRAH07	2 1/2"	83.00	81.50	69.10	95.00
CPRAH08	3"	84.15	98.30	84.90	98.50
CPRAH09	3 1/2"	87.00	113.75	97.50	136.00
CPRAH10	4"	87.00	123.40	110.10	154.00
CPRAH11	5"	97.25	157.70	136.90	225.00
CPRAH12	6"	103.60	182.90	163.70	347.00

\* Option Finishing : Zinc Electroplate

**ANSI / NEMA FB 1 - HUBS RAIN-TIGHT FOR RIGID, IMC CONDUIT (NPT)  
 CAST IRON HOT-DIP GALVANIZED IP 54**
**Application :**

\* The hubs primary purpose is to terminate electrical conduit through the wall of a sheet metal enclosure. It forms a joint that is watertight, air tight and dust tight.

\* It fits into standard knock-out dimensions and seals with a Buna-N "O" ring gasket which is impervious to corrosive moisture and petroleum products. It is secured in place by radial serrations on the hub and the oversize locknut which bite into the metal enclosure wall, making it vibration proof and forming a low resistance bonding path to form a very effective ground path.

\* The hub can further be used in many other fields, Being air, dust and liquid tight it can be used in hydraulic and air pressure systems for connection to the supply tank and compression equipment.

**Standard Materials :**

- # Cast Iron
- # Removable Nipples-Steel

**Standard Finishing :**

- # Hot-Dip Galvanized & Enamel Clear Coat
- # Power Coat : Information Available On Request

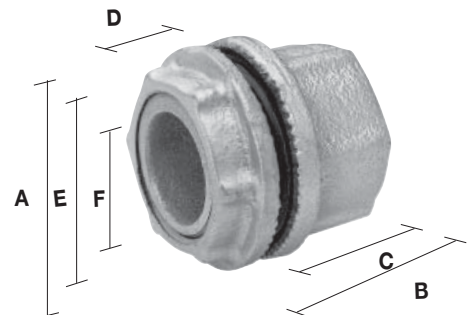
**Size Ranges :**

1/2" - 4" Size

**Features :**

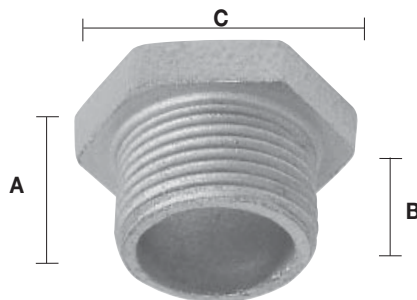
1. VIBRATION PROOF  
Strong, oversize nut assures flush installations and positive grounding.
2. CAPTIVE O-RING SEAL  
Assures positive liquid and dust tight installations.
3. PRECISION MACHINE CUT NPT THREADS  
Positive fit and simple installation.
4. NO WELDING  
Unique serrations on both nut and hub bite into metal assuring a positive electrical ground

Catalog No.	Size (in)	Dimensions (mm.)							Weight (Kg.) Per 100
		A	B	C	D	E	F		
							MAX	MIN	
HRAH01	1/2"	36.50	27.50	22.55	10.25	35.50	14.40	14.35	12.00
HRAH02	3/4"	42.50	32.80	22.20	12.00	36.50	19.10	19.00	17.50
HRAH03	1"	49.65	46.47	27.83	13.60	40.25	32.39	32.30	24.00
HRAH04	1 1/4"	62.74	42.49	26.10	14.68	51.32	41.21	41.09	37.20
HRAH05	1 1/2"	69.25	45.50	28.20	14.88	55.48	46.59	46.53	39.00
HRAH06	2"	81.38	50.78	31.35	16.80	69.59	58.95	59.02	64.60
HRAH07	2 1/2"	95.20	56.80	33.25	20.75	82.25	60.00	59.50	88.50
HRAH08	3"	110.00	62.20	39.10	20.90	99.90	74.00	73.80	115.10
HRAH09	3 1/2"	136.88	68.24	40.47	22.80	110.99	99.60	99.20	157.00
HRAH10	4"	137.19	66.46	42.56	22.72	125.18	100.36	100.30	269.20


**ANSI / NEMA FB 1 - CHASE NIPPLE**

\*Standard Material : Cast Iron

\*Standard Finishing : Hot-Dip Galvanized



Catalog No.	Size (in)	Dimensions (mm.)			Weight (Kg.) Per 100
		A	B	C	
CAH01	1/2"	21.71	15.84	31.18	3.25
CAH02	3/4"	21.98	14.41	33.77	4.80
CAH03	1"	25.88	16.35	37.20	5.40
CAH04	1 1/4"	23.89	16.37	44.77	10.20
CAH05	1 1/2"	27.05	18.19	56.75	15.40
CAH06	2"	38.55	28.67	64.60	25.40
CAH07	2 1/2"	33.14	23.89	79.15	37.80
CAH08	3"	44.24	33.27	104.75	67.60
CAH09	3 1/2"	47.61	38.39	115.34	77.00
CAH10	4"	55.68	46.60	129.59	100.00
CAH11	5"	64.00	51.50	153.75	135.00
CAH12	6"	63.85	50.10	178.12	177.00



**ANSI / NEMA FB 1 - E.Y.S. FOR SEALING IN VERTICAL**

\*Standard Material : Cast Iron

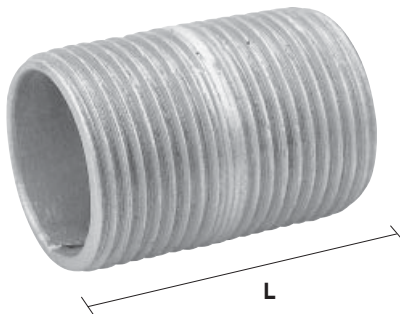
\*Standard Finishing : Hot-Dip Galvanized

Catalog No.	Size (in)	Dimensions (mm.)			Weight (Kg.) Per 100
		A	B	C	
EYSAH01	1/2"	94.00	69.40	45.25	50.00
EYSAH02	3/4"	94.00	69.40	45.25	66.50
EYSAH03	1"	103.00	89.00	46.00	86.00
EYSAH04	1 1/4"	128.00	105.00	56.50	129.50
EYSAH05	1 1/2"	139.40	122.20	65.25	225.00
EYSAH06	2"	163.50	153.50	80.40	360.00
EYSAH07	2 1/2"	187.50	165.00	89.80	400.00
EYSAH08	3"	215.00	205.00	105.80	665.00
EYSAH09	3 1/2"	215.00	232.00	129.20	710.00
EYSAH10	4"	215.00	232.00	129.20	700.00

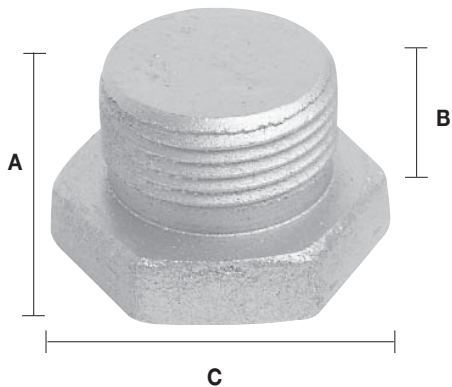
**CLOSE NIPPLE**

\*Standard Material : Hot Rolled Sheet Steel Strip

\*Standard Finishing : Zinc Electroplated



Catalog No.	Size (in)	Dimensions (mm.)	Weight (Kg.) Per 100
		L	
CNPAE01	1/2"	29.00	1.70
CNPAE02	3/4"	38.85	3.00
CNPAE03	1"	39.80	4.50
CNPAE04	1 1/4"	43.00	5.50
CNPAE05	1 1/2"	48.25	12.00
CNPAE06	2"	58.70	14.90
CNPAE07	2 1/2"	58.60	15.50
CNPAE08	3"	68.60	43.50
CNPAE09	3 1/2"	68.75	44.50
CNPAE10	4"	75.80	73.00

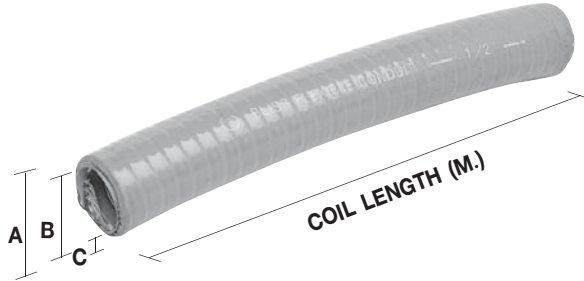


**THREADED CLOSE - UP PLUGS**

\*Standard Material : Cast Iron

\*Standard Finishing : Hot-Dip Galvanized

Catalog No.	Size (in)	Dimensions (mm.)			Weight (Kg.) Per 100
		A	B	C	
TCPH01	1/2"	20.58	15.11	30.68	6.00
TCPH02	3/4"	21.01	15.94	33.30	9.50
TCPH03	1"	21.81	15.88	44.65	14.50
TCPH04	1 1/4"	23.89	16.37	44.77	21.00
TCPH05	1 1/2"	27.05	18.19	56.75	33.00
TCPH06	2"	38.55	28.67	64.60	49.00


**RAIN TIGHT FLEXIBLE CONDUIT "ARROWTITE"**

\*Standard Material : 1.Galv. Steel Strip 2.Yarn Seal (for 1/2" - 1 1/2") 3.Vinyl Sheath

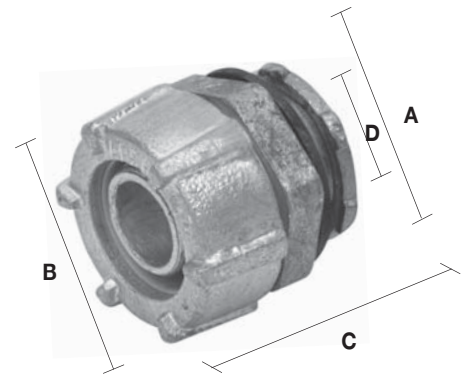
Catalog No.	Size (in)	Dimensions (mm.)						Coil Length ( m )	Weight (kg/m)
		A		B		C			
		MAX	MIN	MAX	MIN	MAX	MIN		
FR01	1/2"	21.30	20.80	16.30	15.70	1.30	1.00	60.0	0.37
FR02	3/4"	26.70	26.20	21.30	20.70	1.55	1.25	30.0	0.52
FR03	1"	33.40	32.70	26.80	26.00	1.80	1.50	30.0	0.78
FR04	1 1/4"	42.20	41.50	35.40	34.60	1.55	1.25	15.0	1.20
FR05	1 1/2"	48.30	47.40	40.60	39.60	2.15	1.75	15.0	1.50
FR06	2"	60.30	59.40	51.80	51.80	2.65	2.15	15.0	1.90
FR07	2 1/2"	73.00	72.10	63.70	62.50	1.50	1.80	7.50	2.10
FR08	3"	88.90	87.80	78.80	77.60	2.90	2.20	7.50	3.40
FR10	4"	114.30	113.20	102.50	101.10	3.05	2.35	7.50	5.60

**ANSI / NEMA FB 1 - STRAIGHT FLEXIBLE CONNECTOR RAIN TIGHT**

\*Standard Materials : Cast Iron 1/2' - 2" Mild Steel & Nylon  
 Cast Iron 2 1/2" - 4" Mild Steel & Cast Iron

\*Standard Finishing : Hot-Dip Galvanized & Enamel Clear Coat

Catalog No.	Size (in)	Dimensions (mm.)				Weight (Kg.) Per 100
		A	B	C	D	
FCRAH01	1/2"	35.17	44.38	43.07	20.87	17.50
FCRAH02	3/4"	42.39	48.76	45.07	25.93	23.50
FCRAH03	1"	47.33	54.63	54.85	32.56	34.50
FCRAH04	1 1/4"	56.53	67.37	60.07	41.20	47.00
FCRAH05	1 1/2"	64.90	72.36	60.90	47.11	62.50
FCRAH06	2"	79.02	83.64	67.03	59.43	83.50
FCRAH07	2 1/2"	96.22	100.90	80.56	72.20	134.00
FCRAH08	3"	114.31	119.91	88.56	87.67	231.50
FCRAH10	4"	133.18	114.12	87.00	112.91	250.30



Remark \*Complete with Nylon-Ring

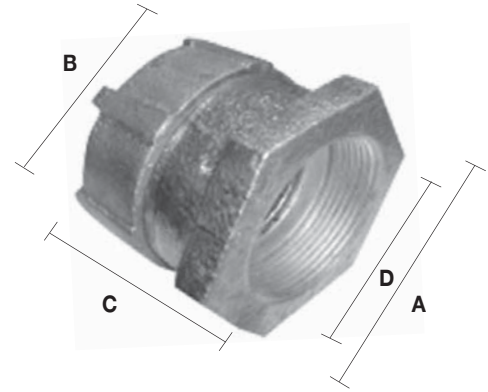


**ANSI / NEMA FB 1 - ( FEMALE ) STRAIGHT FLEXIBLE CONNECTOR RAIN TIGHT**

**\*Standard Materials :** Cast Iron 1/2' - 2" Mild Steel & Nylon,  
Cast Iron 2 1/2" - 4" Mild Steel & Cast Iron

**\*Standard Finishing :** Hot-Dip Galvanized & Enamel Clear Coat

Catalog No.	Size (in)	Dimensions (mm.)				Weight (Kg.) Per 100
		A	B	C	D	
FCRFAH01	1/2"	30.68	44.38	58.10	20.87	29.00
FCRFAH02	3/4"	33.30	48.76	60.25	25.93	34.50
FCRFAH03	1"	44.65	54.63	70.85	32.56	40.00
FCRFAH04	1 1/4"	44.77	67.37	75.16	41.20	60.00
FCRFAH05	1 1/2"	56.75	72.36	75.28	47.11	72.00
FCRFAH06	2"	64.60	83.64	72.08	59.43	97.50
FCRFAH07	2 1/2"	79.15	100.90	82.12	72.20	203.00

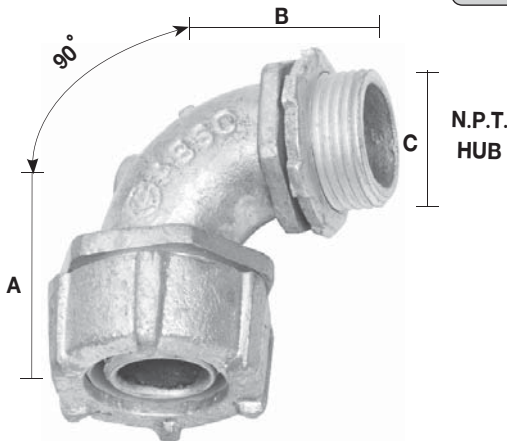


Remark \*Complete with Nylon-Ring

**ANSI / NEMA FB 1 - 90 DEGREE FLEXIBLE CONNECTOR RAIN TIGHT**

**\*Standard Materials :** Cast Iron 1/2' - 1" Mild Steel & Nylon

**\*Standard Finishing :** Hot-Dip Galvanized & Enamel Clear Coat



Catalog No.	Size (in)	Dimensions (mm.)			Weight (Kg.) Per 100
		A	B	C	
FCRAH9001	1/2"	42.10	31.55	20.87	21.50
FCRAH9002	3/4"	45.05	38.50	25.93	29.50
FCRAH9003	1"	53.00	46.60	32.56	45.50

Remark \*Complete with nylon ring

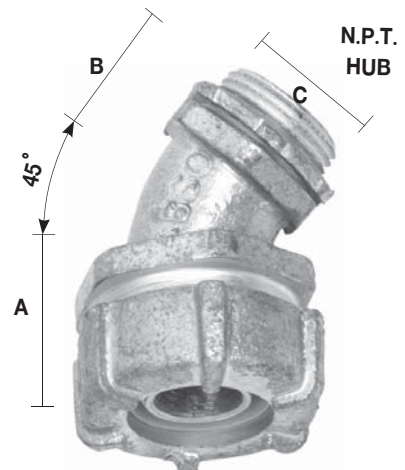
**ANSI / NEMA FB 1 - 45 DEGREE FLEXIBLE CONNECTOR RAIN TIGHT**

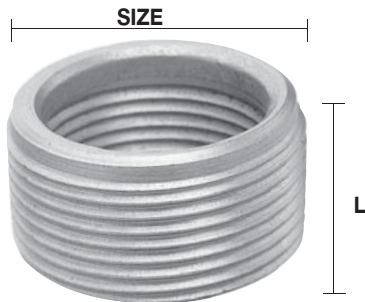
**\*Standard Materials :** Cast Iron 1/2' - 1" Mild Steel & Nylon

**\*Standard Finishing :** Hot-Dip Galvanized & Enamel Clear Coat

Catalog No.	Size (in)	Dimensions (mm.)			Weight (Kg.) Per 100
		A	B	C	
FCRAH4501	1/2"	32.56	25.10	20.87	20.50
FCRAH4502	3/4"	34.75	28.65	25.93	26.00
FCRAH4503	1"	41.65	31.50	32.56	44.00

Remark \*Complete with nylon ring




**REDUCING BUSHINGS ( MALE / FEMALE )**

\*Standard Material : Cast Iron

\*Standard Finishing : Zinc Electroplated

Catalog No.	Size (in)	Dimensions (mm.) L	Weight (Kg.) Per 100
RBE0201	3/4" x 1/2"	16.25	1.50
RBE0301	1" x 1/2"	25.60	7.50
RBE0302	1" x 3/4"	26.75	4.00
RBE0401	1 1/4" x 1/2"	26.75	16.50
RBE0402	1 1/4" x 3/4"	26.75	13.50
RBE0403	1 1/4" x 1"	26.70	8.50
RBE0501	1 1/2" x 1/2"	24.75	21.50
RBE0502	1 1/2" x 3/4"	26.75	19.50
RBE0503	1 1/2" x 1"	26.75	15.50
RBE0504	1 1/2" x 1 1/4"	26.75	7.00
RBE0601	2" x 1/2"	21.50	33.00
RBE0602	2" x 3/4"	26.75	39.00
RBE0603	2" x 1"	27.50	32.25
RBE0604	2" x 1 1/4"	28.50	25.50
RBE0605	2" x 1 1/2"	27.50	17.00
RBE0704	2 1/2" x 1 1/4"	31.75	38.00
RBE0705	2 1/2" x 1 1/2"	31.75	30.75
RBE0706	2 1/2" x 2"	31.75	24.00
RBE0804	3" x 1 1/4"	43.55	86.75
RBE0805	3" x 1 1/2"	43.00	71.00
RBE0806	3" x 2"	44.75	102.50
RBE0807	3" x 2 1/2"	40.25	39.50
RBE0906	3 1/2" x 2"	49.25	144.50
RBE0908	3 1/2" x 3"	49.25	73.50
RBE1007	4" x 2 1/2"	36.80	170.00
RBE1008	4" x 3"	36.50	103.50
RBE1009	4" x 3 1/2"	38.75	51.00
RBE1110	5" x 4"	38.80	120.00
RBE1210	6" x 4"	39.00	140.00

\* Optional Material : Aluminium

**ENLARGER ( FEMALE / MALE )**

\*Standard Material : Steel

\*Standard Finishing : Zinc Electroplated

Catalog No.	Size (in)	Dimensions (mm.) L	Weight (Kg.) Per 100
ENFM0201	3/4" x 1/2"	41.20	9.00
ENFM0301	1" x 1/2"	44.25	11.50
ENFM0302	1" x 3/4"	44.30	12.00
ENFM0401	1 1/4" x 1/2"	44.30	12.50
ENFM0402	1 1/4" x 3/4"	44.30	13.00
ENFM0403	1 1/4" x 1"	44.30	14.50
ENFM0501	1 1/2" x 1/2"	44.30	15.00
ENFM0502	1 1/2" x 3/4"	44.30	17.00
ENFM0503	1 1/2" x 1"	49.30	19.00
ENFM0504	1 1/2" x 1 1/4"	49.30	21.00
ENFM0601	2" x 1/2"	49.25	22.00
ENFM0602	2" x 3/4"	49.25	24.00
ENFM0603	2" x 1"	49.25	26.00
ENFM0604	2" x 1 1/4"	49.25	28.00
ENFM0605	2" x 1 1/2"	49.25	30.00



**INTERMEDIATE METAL CONDUIT ( IMC ) ELBOWS 90**

\*Standard Material : Hot-Rolled Steel Strip

\*Standard Finishing : Hot-Dip Galvanized & Enamel Clear Coat

Catalog No.	Size (in)	Dimensions (mm.)				Weight (Kg.) Per Pc
		Outside Diameter	Wall Thickness	Min Radius (R)	Min Straight Length (Ls)	
ELIA9001	1/2"	20.70	1.85	105.35	67.26	0.28
ELIA9002	3/4"	26.10	2.00	128.05	49.43	0.35
ELIA9003	1"	32.80	2.30	161.40	60.74	0.60
ELIA9004	1 1/4"	41.60	2.30	205.80	50.87	0.84
ELIA9005	1 1/2"	47.80	2.35	233.90	66.30	1.40
ELIA9006	2"	59.90	2.45	269.95	87.98	2.30
ELIA9007	2 1/2"	72.60	3.40	281.30	104.07	2.50
ELIA9008	3"	88.30	3.40	494.15	106.90	5.60
ELIA9009	3 1/2"	100.90	3.40	560.45	134.83	6.33
ELIA9010	4"	113.40	3.40	646.70	132.10	11.35

**RIGID STEEL CONDUIT ( RSC ) ELBOWS 90**

\*Standard Material : Hot-Rolled Steel Strip

\*Standard Finishing : Hot-Dip Galvanized & Enamel Clear Coat

Catalog No.	Size (in)	Dimensions (mm.)				Weight (Kg.) Per Pc
		Outside Diameter	Wall Thickness	Min Radius (R)	Min Straight Length (Ls)	
ELRA9001	1/2"	21.30	2.60	105.65	67.03	0.33
ELRA9002	3/4"	26.70	2.70	128.35	49.20	0.45
ELRA9003	1"	33.40	3.20	161.70	60.51	0.87
ELRA9004	1 1/4"	42.20	3.40	206.10	50.63	0.90
ELRA9005	1 1/2"	48.30	3.50	234.15	66.10	2.00
ELRA9006	2"	60.30	3.70	270.15	87.83	3.03
ELRA9007	2 1/2"	73.00	4.90	281.50	103.91	3.57
ELRA9008	3"	88.90	5.20	494.45	106.70	7.73
ELRA9009	3 1/2"	101.60	5.50	560.80	134.60	9.05
ELRA90010	4"	114.30	5.70	647.15	131.73	14.20
ELRA9011	5"	141.30	6.20	609.60	92.08	39.00
ELRA9012	6"	168.30	6.80	762.00	95.25	55.00





**STRAPS R.G.**

**Application :**

Elongated bolt hold makes alignment easy, even when holes in mounting surface are out of alignment. Snap on features hold strap in place

**Standard Materials :**

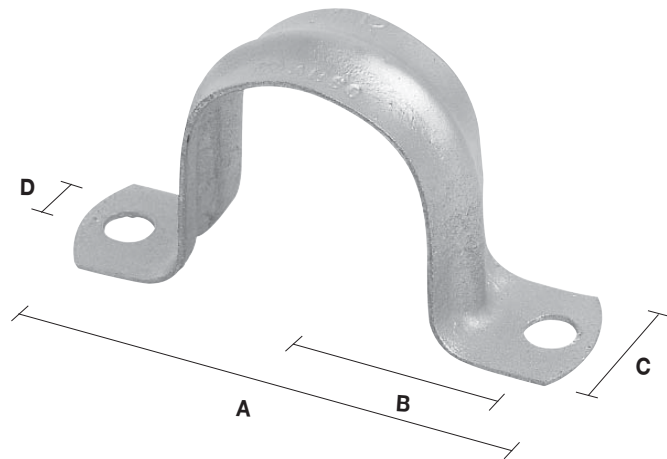
# Sheet Steel

**Standard Finishing :**

# Hot-Dip Galvanized

**Size Ranges :**

# 1/2" - 4" Size



**STRAPS R.G.**

\*Standard Materials : Sheet Steel

\*Standard Finishing : Hot-Dip Galvanized

Catalog No.	Size (in)	Dimensions (mm.)				Weight (Kg) Per 100
		A	B	C	D	
SR2AH01	1/2"	67.70	25.13	16.00	4.65	11.00
SR2AH02	3/4"	64.60	24.30	17.20	5.00	12.50
SR2AH03	1"	73.50	27.93	17.70	4.90	17.00
SR2AH04	1 1/4"	82.60	24.35	18.00	4.60	24.00
SR2AH05	1 1/2"	87.30	37.58	18.20	5.05	26.00
SR2AH06	2"	118.40	49.75	18.80	4.75	35.00
SR2AH07	2 1/2"	134.25	54.85	22.75	5.85	46.00
SR2AH08	3"	165.51	73.83	22.00	6.00	59.00
SR2AH09	3 1/2"	186.22	82.10	25.50	6.15	75.00
SR2AH10	4"	192.86	84.23	25.50	6.15	80.00



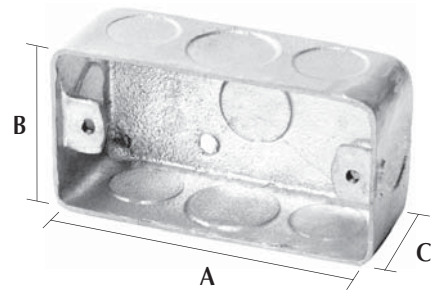
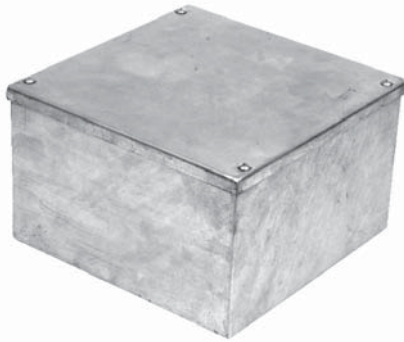
# ANSI/NEMA OS 1

**PULL BOXES**

**SHEET-STEEL**

**OUTLET BOXES**

**AND COVERS**


**ANSI / NEMA OS 1 - PULL BOXES IP 41**

\*Standard Materials : Sheet Steel

\*Standard Finishing : # Hot-Dip Galvanized  
# Enamel Clear Coat

Catalog No.	Size (in)	Weight (Kg.) Per 100
PBAH444	4" x 4" x 4"	107.00
PBAH664	6" x 6" x 4"	216.00
PBAH684	6" x 8" x 4"	265.00
PBAH884	8" x 8" x 4"	315.00
PBAH8104	8" x 10" x 4"	337.00
PBAH10104	10" x 10" x 4"	359.00
PBAH10124	10" x 12" x 4"	414.00
PBAH12124	12" x 12" x 4"	469.50
PBAH666	6" x 6" x 6"	265.55
PBAH886	8" x 8" x 6"	395.00
PBAH10106	10" x 10" x 6"	535.00
PBAH10108	10" x 10" x 8"	613.00
PBAH12126	12" x 12" x 6"	685.00
PBAH12128	12" x 12" x 8"	690.00
PBAH16166	16" x 16" x 6"	820.00

\* Made - To - Order Size Is Available On Request

**ANSI / NEMA OS 1 - HANDY BOXES  
2" X 4" ( SHALLOW )**

\*Standard Materials : Sheet Steel

\*Standard Finishing : Hot-Dip Galvanized

Catalog No.	Size (in)	Ko (in)	Dimensions (mm)			Weight (Kg.) Per 100
			A	B	C	
HSAH010201	1 1/2"	1/2" x 3/4" x 1/2"	101.00	53.05	38.10	17.00
HSAH0202	1 1/2"	3/4" x 3/4"	101.00	53.05	38.10	17.00

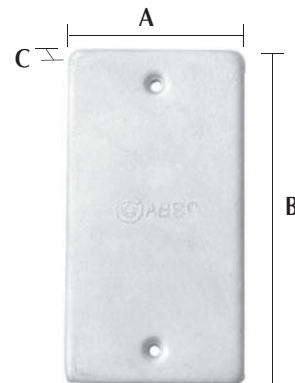
\* Option Finishing : Zinc Electroplate

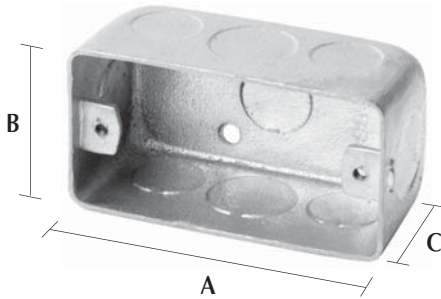
**ANSI / NEMA OS 1 - BLANK COVER FOR HANDY BOXES 2" x 4"**

\*Standard Materials : Sheet Steel

\*Standard Finishing : Hot-Dip Galvanized

Catalog No.	Dimensions (mm.)			Weight (Kg.) Per 100
	A	B	C	
CHDAHB	56.00	107.00	3.00	6.00





**ANSI / NEMA OS 1 - HANDY BOXES  
2" X 4" ( DEEP )**

\*Standard Materials : Sheet Steel

\*Standard Finishing : Hot-Dip Galvanized

Catalog No.	Size (in)	KO (in)	Dimensions (mm)			Weight (Kg.) Per 100
			A	B	C	
HDAH010201	1 7/8	1/2" x 3/4"x 1/2"	101.00	53.05	46.10	19.50
HDAH0202	1 7/8	3/4" x 3/4"	101.00	53.05	46.10	19.50
HDAH0203	1 7/8	NOT PUNCH	101.00	53.05	46.10	19.50

\* Option Finishing : Zinc Electroplate

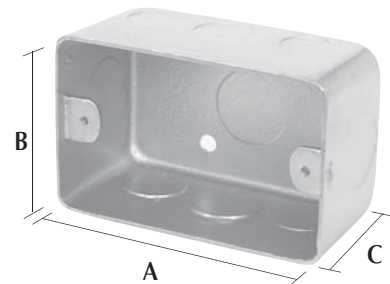
**ANSI / NEMA OS 1 - HANDY BOXES  
2 1/2" X 4" ( WIDE 6.5 )**

\*Standard Materials : Sheet Steel

\*Standard Finishing : Hot-Dip Galvanized

Catalog No.	Size (in)	KO (in)	Dimensions (mm)			Weight (Kg.) Per 100
			A	B	C	
HSWAH010201	1 1/2	1/2" x 3/4" x 1/2"	101.00	63.90	38.70	20.50
HSWEAH010201	1 1/2	1/2" x 3/4"x 1/2"	101.00	63.90	38.70	20.50
HDWAH010201	2 1/8	1/2" x 3/4" x 1/2"	101.00	63.90	52.35	24.50
HDWAH0202	2 1/8	3/4" x 3/4"	101.00	63.90	52.35	24.50
HDWAH0203	2 1/8	3/4" x 1"	101.00	63.90	52.35	24.50
HDWAH03	2 1/8	1"	101.00	63.90	52.35	24.50
HDWAH	2 1/8	NOT PUNCH	101.00	63.90	52.35	24.50
HDWEH010201	2 1/8	1/2" x 3/4" x 1/2"	101.00	63.90	52.35	24.50

\* Option Finishing : Zinc Electroplate



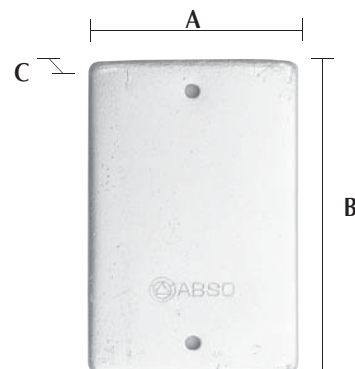
**ANSI / NEMA OS 1 - COVER FOR HANDY BOXES 2 1/2" x 4" ( WIDE 6.5 )**

\*Standard Materials : Sheet Steel

\*Standard Finishing : Hot-Dip Galvanized

Catalog No.	Dimensions (mm.)			Weight (Kg.) Per 100
	A	B	C	
CHDAH	70.00	105.00	7.00	7.00

\* Option Finishing : Zinc Electroplate



**ANSI / NEMA OS 1 – OCTAGON BOXES**
**Application :**

Steel compression fittings insure strong, reliable conduit runs and provide reliable continuity of ground. They take punishment on concrete deck jobs and are not affected by temperature extremes.

**Features :**

- # Takes punishment on concrete decks
- # Perfect partner for metal stud construction
- # Use in concrete block walls.

**Standard Materials :**

- # Sheet Steel

**Standard Finishing :**

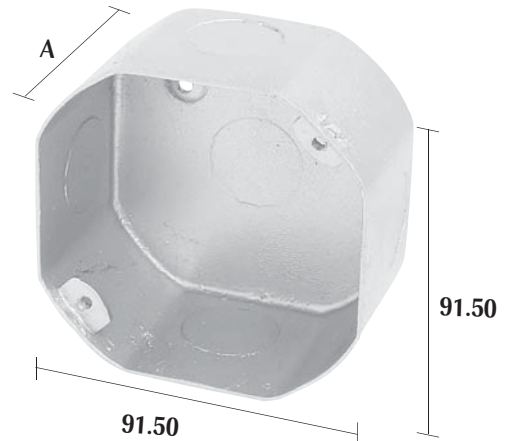
- # Hot-Dip Galvanized & Enamel Clear Coat

**Option Finishing :**

- # Zinc Electroplate
- # Powder Coat : Information Available On Request

**Size Ranges :**

- # 1 1/2", 2 1/8" Depth (in)
- # 1/2" x 3/4", 3/4" Ko (in)
- # 1/2" x 1/2", 3/4" x 3/4" Ko (in)



\*Standard Materials : Sheet Steel

\*Standard Finishing : Hot-Dip Galvanized

Catalog No.	Size (in)	KO (in)	Dimension(mm.)	Weight (Kg.) Per 100
			A	
OGSAH0102	1 1/2"	1/2" x 3/4"	36.12	20.00
OGDAH0101	2 1/8"	1/2" x 1/2"	54.54	24.50
OGDAH0102	2 1/8"	1/2" x 3/4"	53.26	22.50
OGDAH0202	2 1/8"	3/4" x 3/4"	53.25	25.00
OGDAH0303	2 1/8"	1" x 1"	53.25	23.50

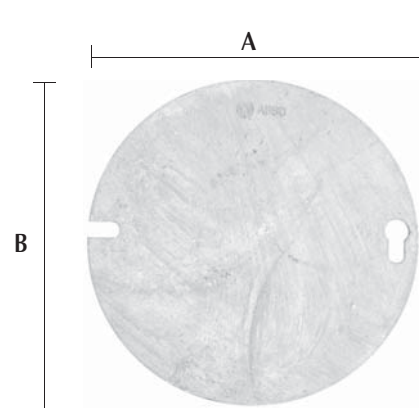
\* Option Finishing : Zinc Electroplate

**ANSI / NEMA OS 1 - BLANK COVER FOR OCTAGON BOX**

\*Standard Materials : Sheet Steel

\*Standard Finishing : Hot-Dip Galvanized

Catalog No.	Dimensions (mm.)		Thickness	Weight (Kg.) Per 100
	A	B		
COGAH	104.00	104.00	1.00	6.00







**ANSI / NEMA OS 1 - SQUARE BOXES 4" X 4"**

**Application :**

Steel compression fittings insure strong, reliable conduit runs and provide reliable continuity of ground. They take punishment on concrete deck jobs and are not affected by temperature extremes.

**Features :**

- # Takes punishment on concrete decks
- # Perfect partner for metal stud construction
- # Use in surface mounted and concrete block walls.
- # The boxes of level have to hold 4 side.

**Standard Materials :**

- # Sheet Steel

**Standard Finishing :**

- # Hot-Dip Galvanized & Enamel Clear Coat

**Option Finishing :**

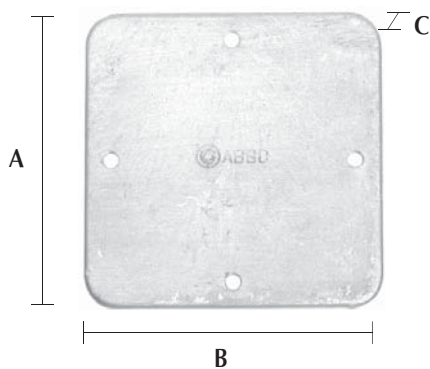
- # Zinc Electroplate
- # Powder Coat : Information Available On Request

**Thickness steel :**

- # 1.2 mm.

**Size Ranges :**

- # 1 1/2", 2 1/8" Depth (in)
- # 1/2" x 3/4" x 1/2", 3/4" x 1", 1" x 1",  
1" x 1" - 3/4" x 3/4" Ko (in)



**ANSI / NEMA OS 1 - COVER FOR SQUARE**

\*Standard Materials : Sheet Steel

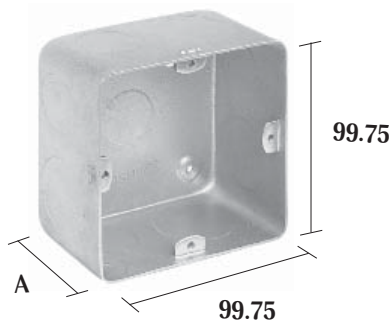
\*Standard Finishing : Hot-Dip Galvanized

Catalog No.	Dimensions (mm.)			Weight (Kg.) Per 100
	A	B	C	
CSQ44AH	108.00	108.00	6.30	11.00

**ANSI / NEMA OS 1 - SQUARE BOXES 4" X 4"**

\*Standard Materials : Sheet Steel

\*Standard Finishing : Hot-Dip Galvanized

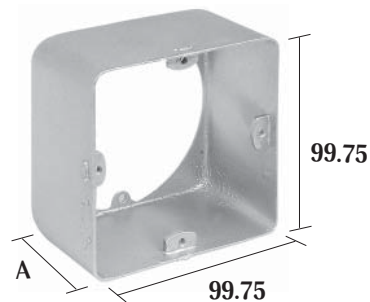


Catalog No.	Size (in)	KO (in)	Dimensions	Weight (Kg.) Per 100
			(mm.) A	
S2SH0102	1 1/2"	1/2" x 3/4"	38.70	25.00
S2SH0202	1 1/2"	3/4" x 3/4"	38.70	25.00
S2SHN	1 1/2"	NOT PUNCH	38.70	25.00
S2DH010201	2 1/8"	1/2" x 3/4" x 1/2"	52.40	32.00
S2DH0202	2 1/8"	3/4" x 3/4"	52.40	32.00
S2DH0203	2 1/8"	3/4" x 1"	52.40	32.00
S2DH0303	2 1/8"	1" x 1"	52.40	32.00
S2DHN	2 1/8"	NOT PUNCH	52.40	32.00

**ANSI / NEMA OS 1 - SQUARE BOXES 4" X 4" EXTENSION RING**

\*Standard Materials : Sheet Steel

\*Standard Finishing : Hot-Dip Galvanized



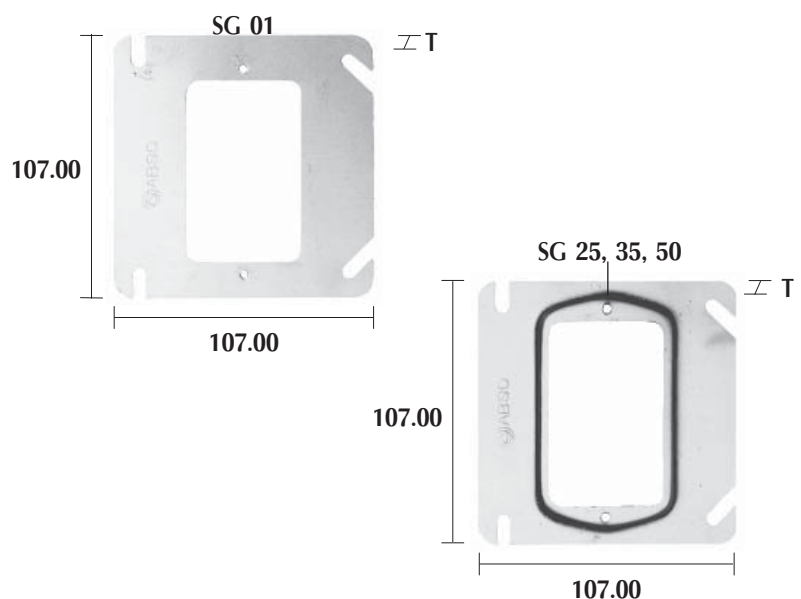
Catalog No.	Size (in)	KO (in)	Dimensions	Weight (Kg.) Per 100
			(mm.) A	
S2SEH010201	1 1/2"	3/4" x 3/4"	38.70	18.50
S2DEH010201	2 1/8"	1/2" x 3/4" x 1/2"	52.40	24.50
S2DEH0202	2 1/8"	3/4" x 3/4"	52.40	24.50
S2DEH0203	2 1/8"	3/4" x 1"	52.40	24.50
S2DEH0303	2 1/8"	1" x 1"	52.40	24.50
S2DEHN	2 1/8"	NOT PUNCH	52.40	24.50

**ANSI / NEMA OS 1 - RAISED COVERS SINGLE DEVICE**

\*Standard Materials : Sheet Steel

\*Standard Finishing : Hot-Dip Galvanized

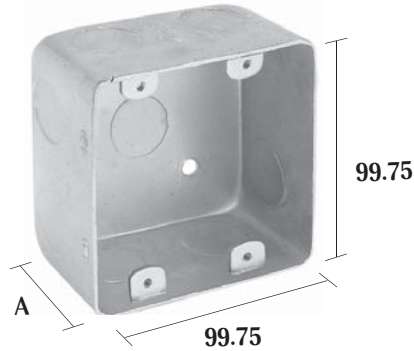
Catalog No.	Dimensions	Weight (Kg.) Per 100
	(mm.) A	
SG01HD	1.00	7.00
SG25HD	6.35	7.00
SG35HD	9.50	8.00
SG50HD	12.70	14.50



**ANSI / NEMA OS 1 - SQUARE BOXES 4" X 4"**

\*Standard Materials : Sheet Steel

\*Standard Finishing : Hot-Dip Galvanized



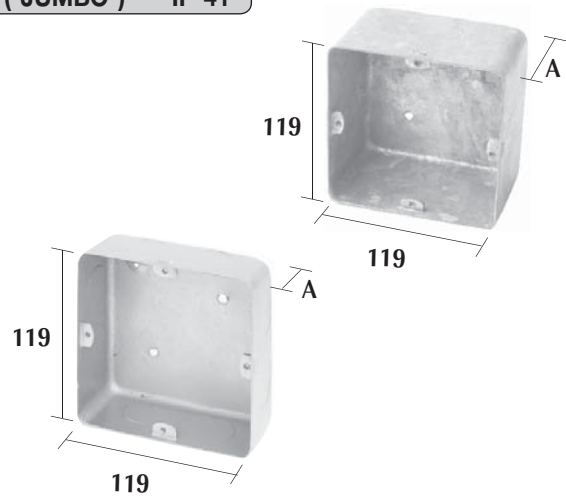
Catalog No.	Size (in)	KO (in)	Dimensions (mm.) A	Weight (Kg.) Per 100
S3SH010201	1 1/2"	1/2" x 3/4" x 1/2"	38.70	25.00
S3SH0102	1 1/2"	1/2" x 3/4"	38.70	25.00
S3SH0202	1 1/2"	3/4" x 3/4"	38.70	25.00
S3SHN	1 1/2"	NOT PUNCH	38.70	32.00
S3DH010201	2 1/8"	1/2" x 3/4" x 1/2"	52.40	32.00
S3DH0202	2 1/8"	3/4" x 3/4"	52.40	32.00
S3DH0203	2 1/8"	3/4" x 1"	52.40	32.00
S3DH0303	2 1/8"	1" x 1"	52.40	32.00
S3DHN	2 1/8"	NOT PUNCH	52.40	32.00

**ANSI / NEMA OS 1 - SQUARE BOXES 4 11/16" X 4 11/16" ( JUMBO ) IP 41**

\*Standard Materials : Sheet Steel

\*Standard Finishing : Hot - Dip Galvanized

Catalog No.	Size (in)	KO (in)	Dimensions (mm.) A	Weight (Kg.) Per 100
S55H010201	2 1/8"	1/2" x 3/4" x 1/2"	52.40	37.50
S55H0202	2 1/8"	3/4" x 3/4"	52.40	37.50
S55H0203	2 1/8"	3/4" x 1"	52.40	37.50
S55H0303	2 1/8"	1"	52.40	37.50
S55HDN	2 1/8"	NOT PUNCH	52.40	37.50
S55HN03	3"	NOT PUNCH	77.25	49.50

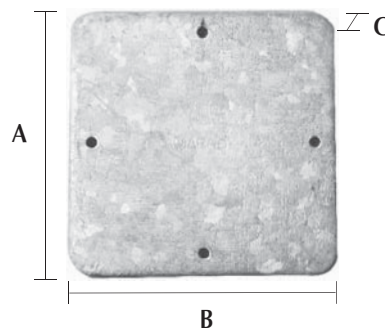


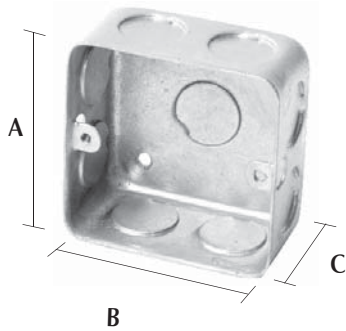
**ANSI / NEMA OS 1 - COVER FOR SQUARE BOX 4 11/16" X 4 11/16" ( JUMBO ) IP 41**

\*Standard Materials : Sheet Steel

\*Standard Finishing : Hot - Dip Galvanized

Catalog No.	Dimensions (mm.)			Weight (Kg.) Per 100
	A	B	C	
CSQ55AH	129	129	11	17.50



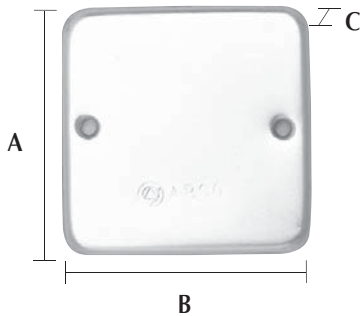

**ANSI / NEMA OS 1 - MK BOXES 3" X 3"**

\*Standard Materials : Sheet Steel

\*Standard Finishing : Hot-Dip Galvanized

Catalog No.	Size (in)	KO (in)	Dimensions (mm.)			Weight (Kg.) Per 100
			A	B	C	
MKSHA	1 1/2"	1/2" x 1/2"	72.50	72.50	37.75	13.50
MKDHA	2 1/8"	3/4"	72.50	72.50	52.40	17.50

\* Option Finishing : Zinc Electroplate


**ANSI / NEMA OS 1 - MK COVER**

\*Standard Materials : Sheet Steel

\*Standard Finishing : Hot-Dip Galvanized

Catalog No.	Dimensions (mm.)			Weight (Kg.) Per 100
	A	B	C	
CMKH	77.90	77.90	5.00	5.50

\* Option Finishing : Zinc Electroplate

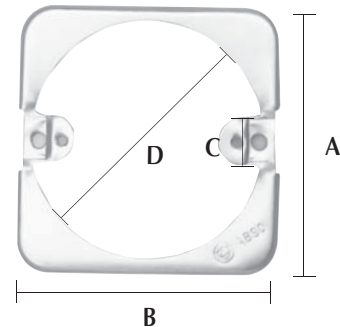
**ANSI / NEMA OS 1 - MK SHIM COVER**

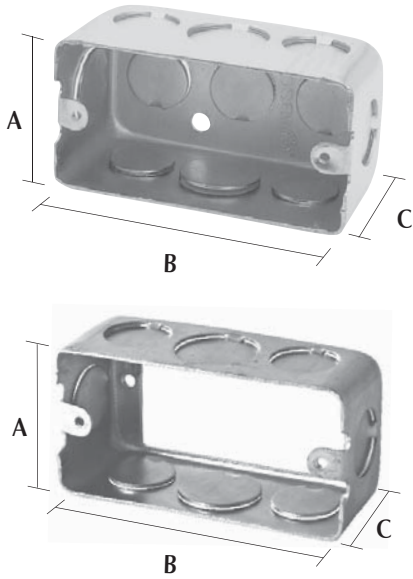
\*Standard Materials : Sheet Steel

\*Standard Finishing : Hot-Dip Galvanized

Catalog No.	Dimensions (mm.)				Weight (Kg.) Per 100
	A	B	C	D	
CMKSH	71.00	71.00	3.50	63.00	1.50

\* Option Finishing : Zinc Electroplate





**ANSI / NEMA OS 1 - HANDY BOXES**

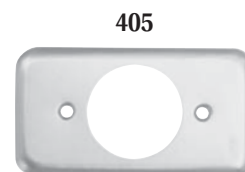
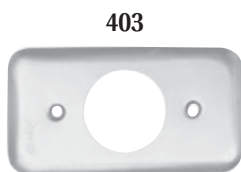
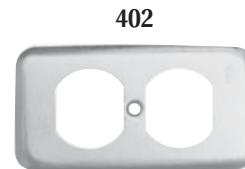
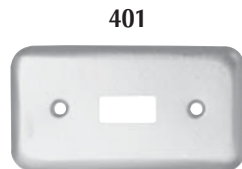
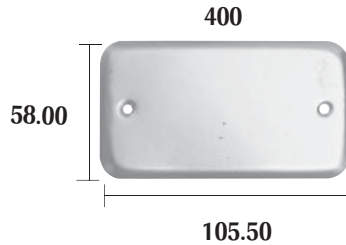
\*Standard Materials : Sheet Steel  
\*Standard Finishing : Zinc Electroplate

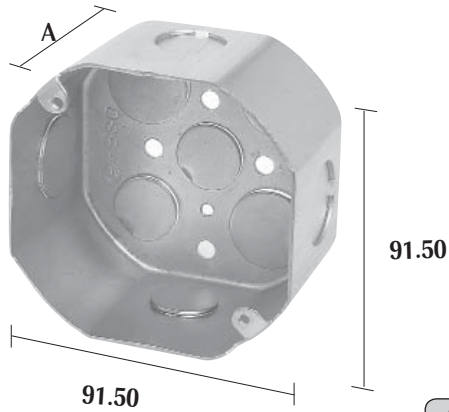
Catalog No.	Size (in)	Ko (in)	Dimensions (mm.)			Weight (Kg.) Per 100
			A	B	C	
HSAE010101	1 1/2"	1/2" x 1/2" x 1/2"	52.00	100.00	38.30	13.50
HSAE010201	1 1/2"	1/2" x 3/4" x 1/2"	52.00	100.00	38.30	13.50
HSAE0102	1 1/2"	1/2" x 3/4"	52.00	100.00	38.30	13.50
HSEAE010201	1 1/2"	1/2" x 3/4" x 1/2"	52.00	100.00	38.30	10.50
HSWAE010201	1 1/2"	1/2" x 3/4" x 1/2"	63.50	101.00	38.30	16.00
HSWEAE0102	1 1/2"	1/2" x 3/4"	63.50	101.00	38.30	12.50
HDAE010201	1 7/8"	1/2" x 3/4" x 1/2"	52.00	101.00	46.75	16.00
HDAE0202	1 7/8"	3/4" x 3/4"	52.00	101.00	46.75	16.00
HDEAE010201	1 7/8"	1/2" x 3/4" x 1/2"	52.00	101.00	46.75	13.00
HDWAE010201	2 1/8"	1/2" x 3/4" x 1/2"	63.50	101.00	52.00	19.00
HDWEAE0102	2 1/8"	1/2" x 3/4" x 1/2"	63.50	101.00	52.00	14.00

**ANSI / NEMA OS 1 - COVER FOR TWO INCH HANDY BOXES**

\*Standard Materials : Sheet Steel  
\*Standard Finishing : Zinc Electroplate

Catalog No.	Weight (Kg.) Per 100
CHDAE400	2.50
CHDAE401	2.08
CHDAE402	1.56
CHDAE403	1.86
CHDAE404	2.00
CHDAE405	1.80




**ANSI / NEMA OS 1 - OCTAGON BOXES**

\*Standard Materials : Sheet Steel

\*Standard Finishing : Zinc Electroplate

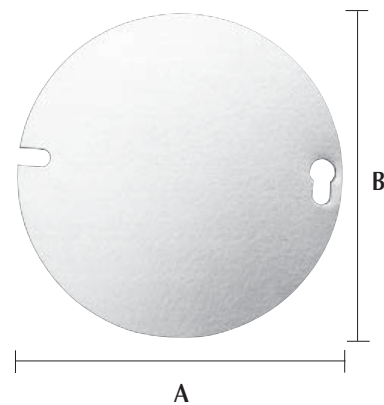
Catalog No.	Diameter	Size (in)	Dimensions (mm)	Weight (Kg) Per 100
			A	
OGSAE0101	1 1/2"	1/2" x 1/2"	38.50	16.50
OGSAE0102	1 1/2"	1/2" x 3/4"	38.50	16.50
OGDAE0102	2 1/8"	1/2" x 3/4"	53.50	20.10
OGDAE0202	2 1/8"	3/4" x 3/4"	53.50	20.10
OGDAE0203	2 1/8"	3/4" x 1"	53.50	20.10
OGDAE03	2 1/8"	1"	53.50	20.10

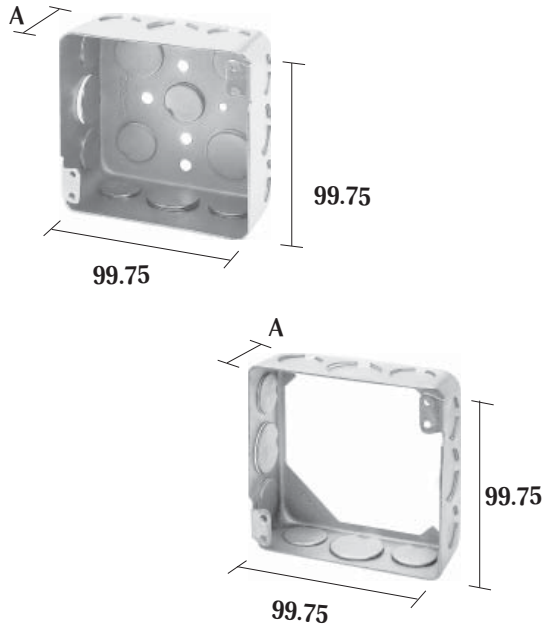
**ANSI / NEMA SO 1 - BLANK COVER FOR OCTAGON BOXES**

\*Standard Materials : Sheet Steel

\*Standard Finishing : Zinc Electroplate

Catalog No.	Dimensions (mm.)		Thickness	Weight (Kg) Per 100
	A	B		
COGAE	104.00	104.00	1.00	6.00





**ANSI / NEMA OS 1 - SQUARE BOXES**

\*Standard Materials : Sheet Steel

\*Standard Finishing : Zinc Electroplate

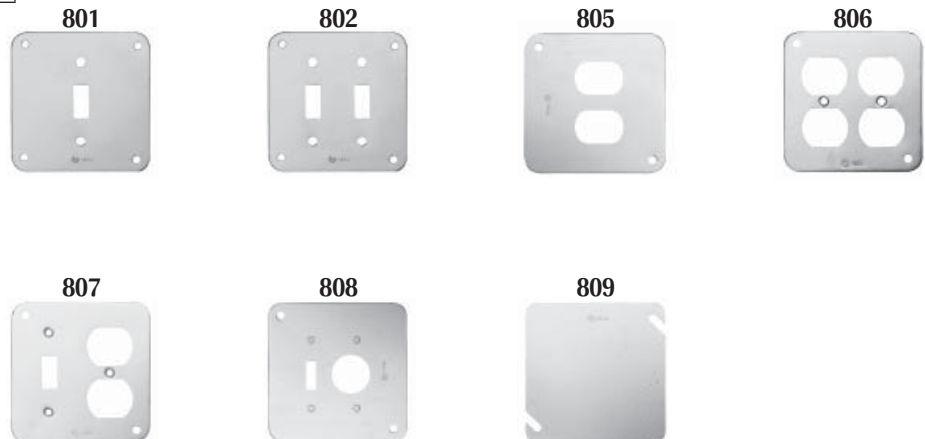
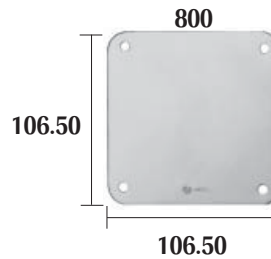
Catalog No.	Size (in)	KO (in)	Dimensions (m.) A	Weight (Kg.) Per 100
S1SAE010101	1 1/2"	1/2" x 1/2" x 1/2"	38.70	21.40
S1SAE010201	1 1/2"	1/2" x 3/4" x 1/2"	38.70	21.50
S1SEAE010201	1 1/2"	1/2" x 3/4" x 1/2"	38.70	14.50
S1DAE0101	2 1/8"	1/2" x 1/2"	52.40	25.50
S1DAE010201	2 1/8"	1/2" x 3/4" x 1/2"	52.40	25.50
S1DAE0202	2 1/8"	3/4" x 3/4"	52.40	25.50
S1DAE0203	2 1/8"	3/4" x 1"	52.40	32.90
S1DAE0303	2 1/8"	1" x 1"	52.40	32.90
S1DEAE010201	2 1/8"	1/2" x 3/4" x 1/2"	52.40	32.90

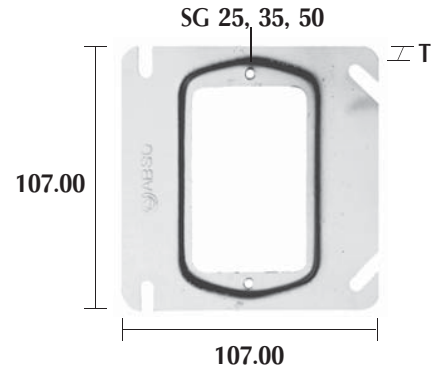
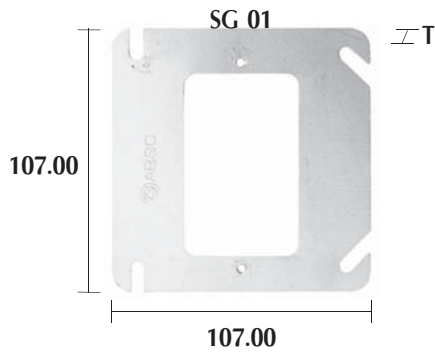
**ANSI / NEMA OS 1 - COVER FOR FOUR INCH SQUARE BOXES**

\*Standard Materials : Sheet Steel

\*Standard Finishing : Zinc Electroplate

Catalog No.	Weight (Kg.) Per 100
CSQAE800	7.00
CSQAE801	6.75
CSQAE802	6.70
CSQAE805	6.60
CSQAE806	5.90
CSQAE807	6.45
CSQAE808	6.40
CSQAE809	7.90

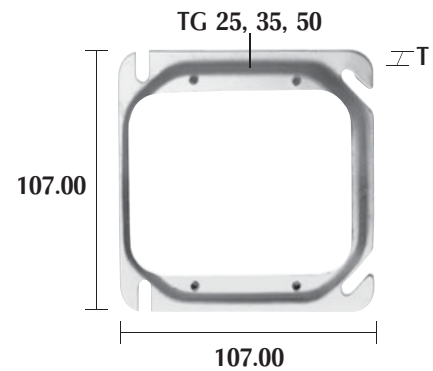
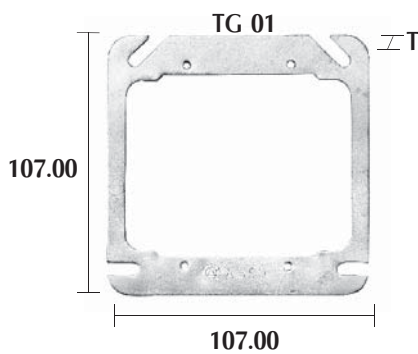



**ANSI / NEMA OS 1 - RAISED COVERS SINGLE DEVICE**

\*Standard Materials : Sheet Steel

\*Standard Finishing : Zinc Electroplate

Catalog No.	Size (in)	Dimensions(mm)	Weight (Kg.) Per 100
		T	
CR1DAE	-	1.00	7.00
CR1DAE14	1/4"	6.35	7.50
CR1DAE38	3/8"	9.50	8.00
CR1DAE12	1/2"	12.70	14.50

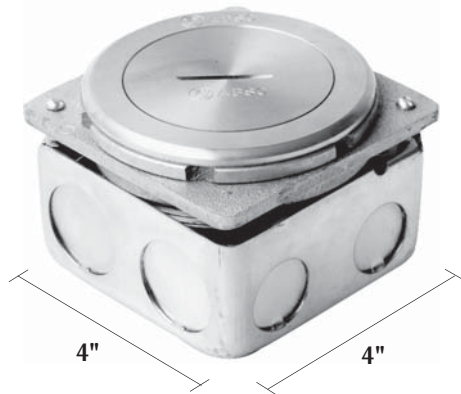

**ANSI / NEMA OS 1 - RAISED COVERS TWO DEVICE**

\*Standard Materials : Sheet Steel

\*Standard Finishing : Zinc Electroplate

Catalog No.	Size (in)	Dimensions (mm)	Weight (Kg.) Per 100
		T	
CR2DAE	-	1.00	3.00
CR2DAE14	1/4"	6.35	4.50
CR2DAE38	3/8"	9.50	6.75
CR2DAE12	1/2"	12.70	12.00





**FLOOR BOX**

\*Standard Material : Brass Flange + Cast Aluminum Base

\*Standard Finishing : Zinc Electroplate

Catalog No.	Size (in)	Weight(Kg.) Per 100
FBB	4" x 4"	95.50

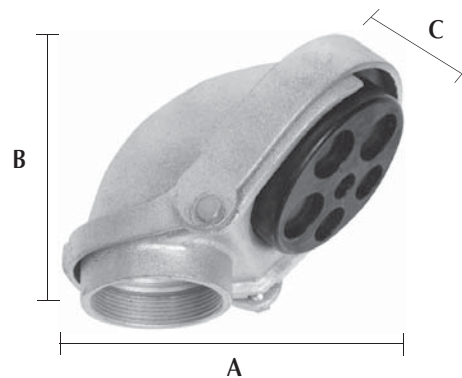
\* Excluding Square Box

**SERVICE ENTRANCE CAPS**

\*Standard Material : Copper - Free Aluminum

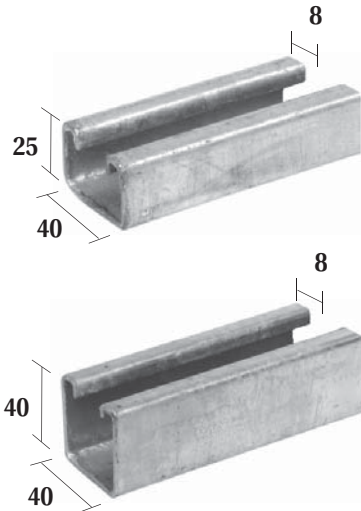
\*Standard Finishing : Zinc Plate

Catalog No.	Size (in)	Dimensions(mm.)			Weight(Kg.) Per 100
		A	B	C	
SCA01	1/2"	74.40	66.50	50.80	11.30
SCA02	3/4"	82.50	70.00	60.00	19.00
SCA03	1"	96.50	72.00	64.50	17.00
SCA04	1 1/4"	112.50	84.00	79.80	30.50
SCA05	1 1/2"	125.90	92.26	88.50	43.50
SCA06	2"	164.50	110.84	14.00	56.20
SCA07	2 1/2"	244.50	167.50	156.70	160.00
SCA08	3"	284.00	183.00	194.80	245.00
SCA09	3 1/2"	306.00	193.00	196.00	285.00
SCA10	4"	306.00	193.00	196.00	270.00
SCA11	5"	395.00	220.00	260.00	660.00
SCA12	6"	438.00	250.00	310.00	720.00



# NEMA OS 1 SUPPORT SYSTEM





### ANSI / NEMA OS 1 - CHANNELS & SUPPORT SYSTEM

**Application :**

Channels are to support conduit and round cable in combination with the accessory clamps and fittings.

**Features :**

- # Can fix the object at required position along channel ditches.
- # Can cut at required length and install the object quickly with various

**Accessories :**

- # Are applicable for supporting ducts and cable trays.

**Standard Materials :**

- # Sheet Steel

**Standard Finishing :**

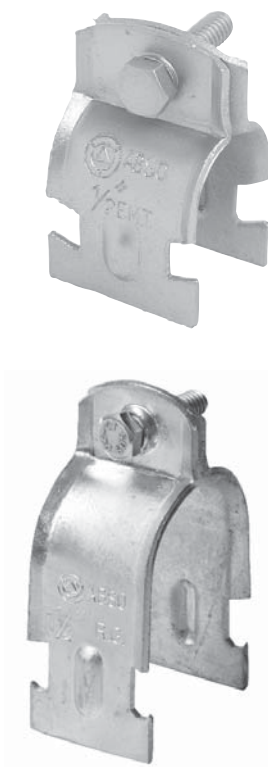
- # Hot-Dip Galvanized & Enamel Clear Coat.

**Size Ranges :**

- # 1", 1 1/2" High.
- # 1.20 M., 2.40 M. Length.
- # Thickness : 1.6 mm. - 2.0 mm. (+ - 0.10 mm.)

Catalog No.	Size (mm)	Weight (Kg.) Each
CSAH25	C-Channel 25 x 40 x 1.20M. ( T. 2 mm )	2.160
CSAH40	C-Channel 40 x 40 x 1.20M. ( T. 2 mm )	2.675

\* Optional Finishing : Zinc Electroplate



### ANSI / NEMA OS 1 - CONDUIT PIPE CLAMP EMT, IMC, RSC

**Features :**

- # Clamp edges are bended aslant as to intensity the supporting strength and to protect cable coating from scratching
- # Various sizes are available to fit all conduits as described in the sizing chart below

**Standard Materials :**

- # Sheet Steel
- # Screw & Nut : Stainless Steel

**Standard Finishing :**

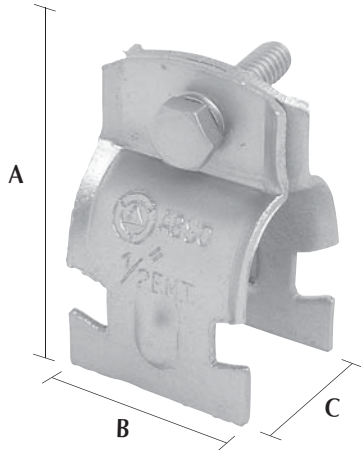
- # Hot-Dip Galvanized & Enamel Clear Coat

**Option Finishing :**

- # Zinc Electroplate

**Size Ranges :**

- # 1/2" - 6" Size
- # Thickness: 1.6 mm. - 2.0 mm. (+ - 0.10 mm.)


**ANSI / NEMA OS 1 – EMT PIPE CLAMPS FOR CHANNELS**

**\*Standard Materials :** # Clamps - Sheet Steel  
 # Screw & Nut - Stainless Steel

**\*Standard Finishing :** Hot - Dip Galvanized

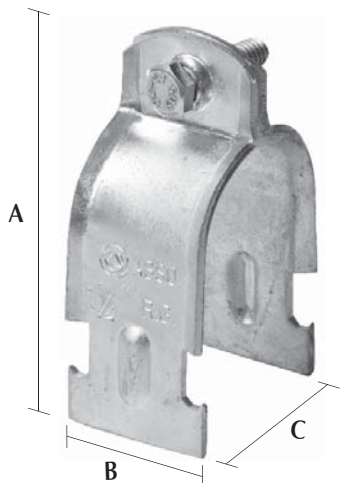
Catalog No.	Size (in)	Dimensions(mm.)			Weight (Kg.) Per 100
		A	B	C	
PCEAH01	1/2"	54.18	31.60	18.70	5.00
PCEAH02	3/4"	57.28	31.60	19.80	5.50
PCEAH03	1"	64.45	31.60	29.90	6.50
PCEAH04	1 1/4"	76.40	31.60	37.90	7.00
PCEAH05	1 1/2"	80.00	31.60	42.90	8.00
PCEAH06	2"	94.00	31.60	52.30	9.50

\* Optional Finishing : Zinc Electroplate

**ANSI / NEMA OS 1 – CONDUIT PIPE CLAMPS ( IMC , RSC )**

**\*Standard Materials :** # Clamps - Sheet Steel  
 # Screw & Nut - Stainless Steel

**\*Standard Finishing :** Hot - Dip Galvanized



Catalog No.	Size (in)	Dimensions(mm.)			Weight (Kg.) Per 100
		A	B	C	
PCRAH01	1/2"	54.00	31.00	19.20	5.00
PCRAH02	3/4"	60.00	31.00	23.50	5.50
PCRAH03	1"	65.00	31.00	28.90	6.50
PCRAH04	1 1/4"	77.50	31.00	40.00	7.00
PCRAH05	1 1/2"	80.50	31.00	44.20	8.00
PCRAH06	2"	98.00	31.00	54.50	9.50
PCRAH07	2 1/2"	107.00	31.00	69.30	10.50
PCRAH08	3"	125.00	31.00	86.90	12.00
PCRAH09	3 1/2"	136.50	31.00	93.00	14.00
PCRAH10	4"	151.50	31.00	105.10	15.50
PCRAH11	5"	178.00	31.00	140.20	21.50
PCRAH12	6"	218.50	31.00	165.50	26.00

\* Optional Finishing : Zinc Electroplate

### ANSI / NEMA OS 1 - METAL CLAMPS

**Application :**

- # Can support conduit or cable in combination with standard clips.
- # Round holes are bored at the back and bed portions of clamps enabling to support conduit in any required angles.
- # Attached Fastening screw threads for MC 1 have hexagon head with + cuts.
- # The fastening screw threads are cut point shaped carburized and tempered.

**Standard Materials :**

- # Clamps : Sheet Steel
- # Screw & Nut : Stainless Steel

**Standard Finishing :**

- # Hot-Dip Galvanized & Enamel Clear Coats
- # Zinc Electroplate

**Size Ranges:**

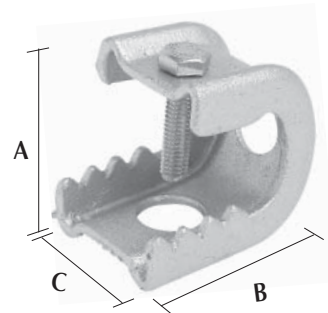
- # Sizes 16 mm. , 27 mm. , 34 mm. , 45 mm.

\*Standard Materials : Sheet Steel

\*Standard Finishing : Hot-Dip Galvanized

Catalog No.	Size (in)	Dimensions (mm.)			Weight (Kg) Per 100
		A	B	C	
MCAH1	16 mm.	43.30	41.25	34.25	8.00
MCAH1W	24 mm.	49.25	45.50	36.50	10.00
MCAH2W	34 mm.	64.00	56.25	39.00	15.00
MCAH3W	45 mm.	78.75	73.10	39.05	22.50

\* Optional Finishing : Zinc Electroplate



### ANSI / NEMA OS 1 - STANDARD CLIP

**Application :**

- # Standard clips are metal fittings to support conduit in combination with pipe clamps and fasteners.
- Many sizes are available for various types of conduit.

**Standard Materials :**

- # Clamps : Sheet Steel
- # Screw & Nut : Stainless steel

**Standard Finishing :**

- # Hot-Dip Galvanized & Enamel Clear Coat
- # Zinc Electroplate

**Size Ranges :**

- # 1/2" - 4" Sizes

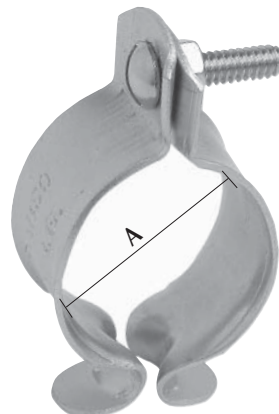
### STANDARD CLIP

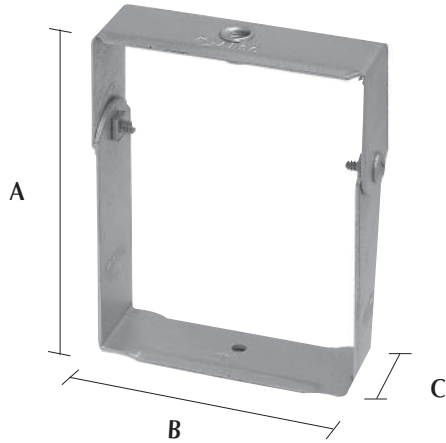
\*Standard Materials : Sheet Steel

\*Standard Finishing : Hot-Dip Galvanized

Catalog No.	Size (in)	Dimensions (mm.) A	Weight (Kg.) Per 100
SDCAH01	1/2"	21.00	1.50
SDCAH02	3/4"	26.50	2.10
SDCAH03	1"	33.30	2.80
SDCAH04	1 1/4"	41.90	5.60
SDCAH05	1 1/2"	47.80	5.60
SDCAH06	2"	59.60	6.30
SDCAH07	2 1/2"	75.20	8.00
SDCAH08	3"	87.90	9.00
SDCAH09	3 1/2"	100.70	13.20
SDCAH10	4"	113.40	17.20

\* Optional Finishing : Zinc Electroplate




**CHANNEL HANGERS**

\*Standard Materials : Sheet Steel

\*Standard Finishing : Hot-Dip Galvanized

Catalog No.	Dimensions (mm.)			Weight (Kg) Per 100
	A	B	C	
CHGAH150	82.00	50.00	38.00	18.00
CHGAH400	154.00	111.50	38.00	35.50

\* Optional Finishing : Zinc Electroplate

**PARALLEL CONDUIT & CABLE CLAMPS**

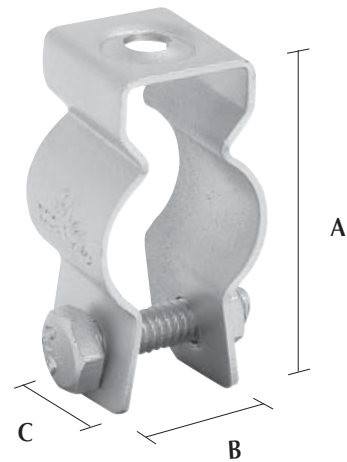
\*Standard Materials    \*Standard Finishing : Hot-Dip Galvanized

# Hanger : Sheet Steel

# Screw & Nut : Stainless Steel

Catalog No.	Size (in)	Dimensions (mm.)			Weight (Kg.) Per 100
		A	B	C	
CCAH01	1/2"	47.00	22.30	22.25	3.35
CCAH02	3/4"	52.00	26.70	22.25	3.50
CCAH03	1"	62.00	32.00	22.25	4.50

\* Optional Finishing : Zinc Electroplate



### ABSO Obstruction Lights

ABSO obstruction lights are most suitable for use in High-rise Buildings, Oil - rigs, Airports Lighting And Helipads.

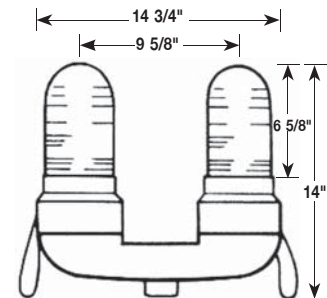
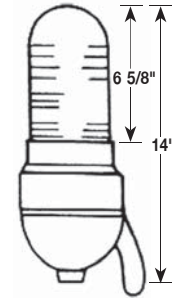
Their application as a warning symbol comes in either single or double - light model. For the double-light, a transfer relay is available so that the lamp will light up automatically when the other lamp fails.

HOUSING - Corrosion resistant die - cast aluminium alloy body with thermal shock resistant safety glass. Lamp holder E27 for one incandescent lamp 100W max. Centre bottom hub tapped 1"NPT

LENS - Glass fresnel lens in clear or other standard colors to specify. Brand : KOPP GLASS  
Made In U. S. A.

MAINTENANCE - Lens mounting ring with safety chain.

SPECIFICATIONS - ABSO obstruction lights meet F.A.A. Specifications L - 810



Catalog No.	Description	Lamp
ABSO - 1	Single fixture less globe	100 watt max.
ABSO - 2	Double fixture less globes	A - 21 Traffic Signal

#### ACCESSORIES

The following accessories are available for ABSO obstruction lights

Catalog No.	Description	Catalog No.	Description
ABSO - LR	Red fresnel lens	ABSO - OCU	ABSO Obstruction control unit 230 Volt transfer relay up to 100 watt capacity with normal and stand - by indication light and test switch.

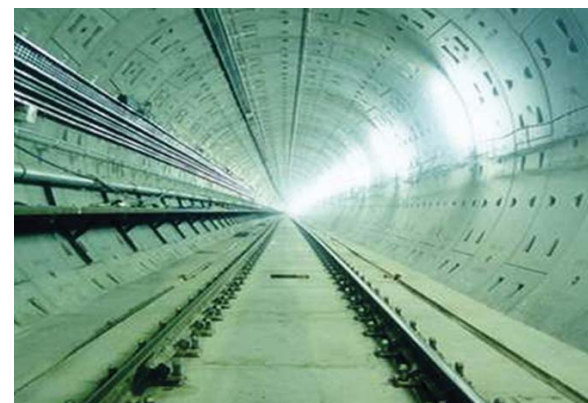


PROJECT REFERENCE	
Item	PROJECT NAME
1	SUARNABHUMI NEW BANGKOK INTERNATIONAL AIRPORT ( NBIA )
2	AIRPORT AUTHORITY OF THAILAND (AOT) - DONG MUANG , CHIANG MAI , CHIANG RAI - PHUKET , HAD YAI
3	THAI AIRWAY INTERNATIONAL ( HEAD OFFICE BUILDING ) ( VIBHAVADI-RANGSIT RD. )
4	MASS RAPID TRANSIT AUTHORITY OF THAILAND ( MRTA ) - NORTH LINE , SOUTH LINE
5	BANGKOK MASS TRANSIT SYSTEM PUBLIC COMPANY LIMITED ( BTS )
6	ELECTRICITY GENERATING AUTHORITY OF THAILAND ( EGAT ) POWER PLANT : - BANG PAKONG , NORTH BANGKOK , SOUTH BANGKOK - NONG CHOK , SAI NOI , RATCHABURI , WANG NOI , NAM PHONG - LAN KRABUE , MAE HONG SON , MAE MOH , SURAT THANI SUBSTATION : - JOMTHONG , RATBURANA , BANGKAPI - LADKRABANG , BANG POO , AUO PAI
7	METROPOLITAN ELECTRICITY AUTHORITY ( MEA ) CONSTRUCTION OF 230KV UNDERGROUND : - TRANSMISSION LINE BETWEEN BANGKAPI AND CHIDLUM ( 7 km)
8	PROVINCIAL ELECTRICITY AUTHORITY ( PEA ) - NEW HEAD OFFICE BUILDING
9	BANGKOK GOVERNMENT COMPLEX ( JANGWATTANA RD. )
10	EAST WATER BUILDING ( VIBHAVADI-RANGSIT RD.)
11	THE CIVIL LAW COURT ( RATCHADAPISEK RD. )
12	THE CRIMINAL COURT ( RATCHADAPISEK RD. )
13	THE DIKA COURT ( RATCHADAPISEK )
14	NONHABURI DISTRICT COURT
15	SIAM COMMERCIAL BANK PUBLIC COMPANY LIMITED ( SCB PARK PLAZA )
16	STANDARD CHARTERED BANK ( PUBLIC ) CO., LTD ( HEAD OFFICE )
17	THAI FARMERS BANK ( PUBLIC ) CO., LTD. ( HEAD OFFICE )
18	CHIANG MAI INTERNATIONAL SCHOOL
19	PHAYATHAI INTERNATIONAL SCHOOL
20	BANGKOK UNIVERSITY , KLUAYNAMTHAI
21	BANGKOK UNIVERSITY , RANGSIT
22	CHULALONGKORN UNIVERSITY , ENGINEERING
23	KASETSART UNIVERSITY , BANGKHEN
24	PRINCE OF SONGKHLANAKARIN UNIVERSITY , HADYAI
25	THAMASART UNIVERSITY , RANGSIT

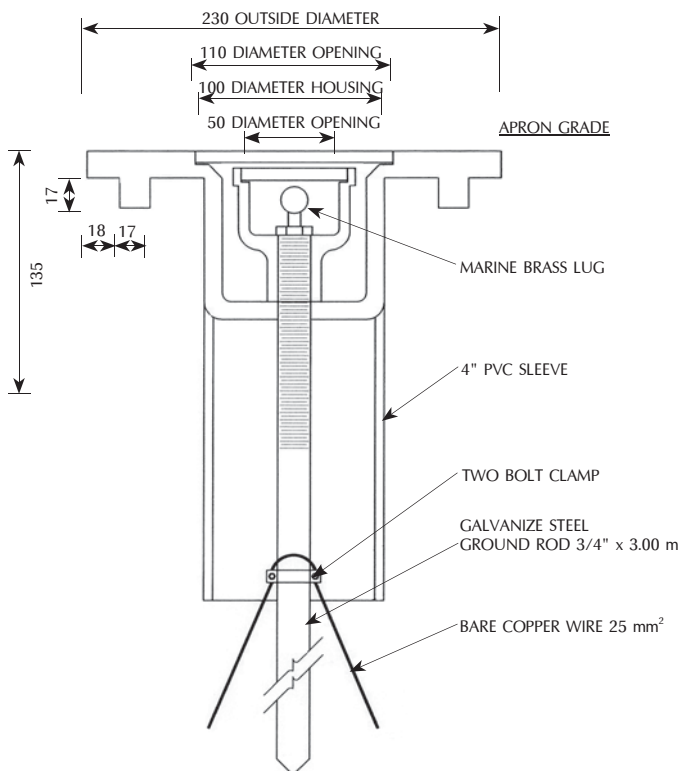
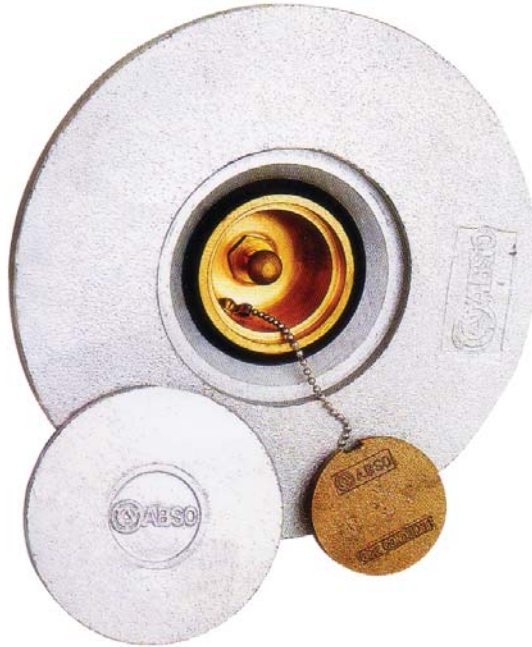


# PROJECT REFERENCE

PROJECT REFERENCE	
Item	PROJECT NAME
26	KING MONGKUT HOSPITAL
27	PAOLO MEMORIAL HOSPITAL
28	PHAYATHAI HOSPITAL 2 , 3
29	SIRIRAT HOSPITAL
30	SONGKHLANAKARIN HOSPITAL , HADYAI
31	TAKSIN HOSPITAL
32	RATCHAVITHI HOSPITAL
33	PARADISE RESORT. ( PHUKET )
34	SILOM PALACE CENTER
35	SATHORN PLAZA
36	PATA PINKLAO SHOPPING CENTER
37	MBK MABOON KRONG SHOPPING CENTER
38	WORLD TRADE CENTER
39	PANTIP PLAZA
40	THANIYA PLAZA
41	CENTRAL DEPARTMENT STORE ( RAMA 3 )
42	CHARN ISSARA TOWER
43	WALL STREET TOWER
44	SINO-THAI TOWER ( ASOKE )
45	KHONKHAN HOTEL
46	ORIENTEL HOTEL
47	PENINSULA HOTEL ( SILOM )
48	ROYAL ORCHID SHERATON HOTEL
49	SIAM INTERCONTINENTAL HOTEL
50	AMERICA US EMBASSY
51	BRITISH EMBASSY
52	TELEPHONE ORGANIZATION OF THAILAND
53	BANGCHAK PETROLEUM PUBLIC COMPANY LIMITED
54	NATIONAL PETROCHEMICAL PUBLIC COMPANY LIMITED
55	SCG MAP TA PHUT OLEFINS CO., LTD. ( M.O.C CRAKER PROJECT )
56	NATIONAL FERTILIZER PUBLIC COMPANY LIMITED
57	SIAM CEMENT FACTORY
58	SIAM TINPLATE CO., LTD
59	THAIPLASTIC AND CHEMICALS ( PUBLIC ) CO., LTD
60	RAJAMANGALA NATIONAL STADIUM ( HUA MAK )
61	NATIONAL STADIUM PATHUMWAN
62	333 ANNIVERSARIES STADIUM ( KORAT )
63	USA ARMY MEDICAL COMPONENT , AFRIMS

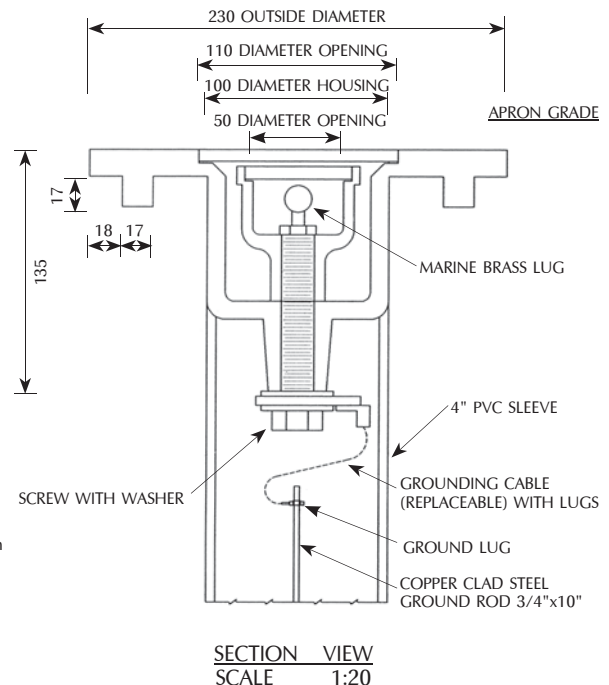


## AIRCRAFT STATIC GROUNDING PIT



GROUNDING RECEPTACLE PIT (TYP)  
SCALE 1 : 20

**TYPE : GP-A**



**TYPE : GP-B**

**Application :**

UNY and UNF unions are installed in threaded thickwall conduit systems :

# UNY - to connect conduit to a conduit fitting, junction box or device enclosure

# UNF - to connect conduit to conduit, or to provide a means for future modification of the conduit system

**Features :**

UNY, UNF unions have :

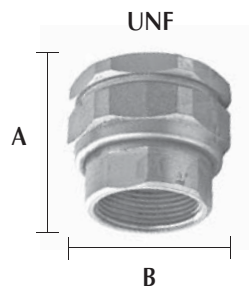
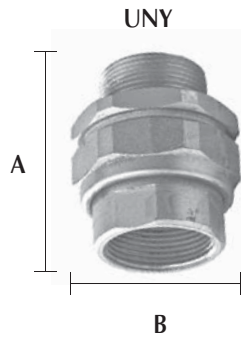
- # Compact design which permits assembly with a minimum of clearance to other adjacent conduit and/or equipment
- # strong and durable construction

**Standard Materials :**

- # UNY, UNF unions - 1/2" to 4" - Steel

**Standard Finishing :**

- # Steel - Zinc Electroplate



**ANSI / NEMA FB 1 - UNY UNION**

\*Standard Material : Steel

\*Standard Finishing : Zinc Electroplate

Catalog No.	Size (in)	Dimensions (mm.)	
		A	B
UNY 01	1/2"	49.20	37.30
UNY 02	3/4"	49.20	37.30
UNY 03	1"	49.20	44.50
UNY 04	1 1/4"	79.40	71.40
UNY 05	1 1/2"	82.60	77.80
UNY 06	2"	92.10	94.50
UNY 07	2 1/2"	122.20	123.80
UNY 08	3"	122.20	136.50
UNY 09	3 1/2"	125.40	149.20
UNY 10	4"	130.20	163.50

**ANSI / NEMA FB 1 - UNF UNION**

\*Standard Material : Steel

\*Standard Finishing : Zinc Electroplate

Catalog No.	Size (in)	Dimensions (mm.)	
		A	B
UNF 01	1/2"	37.30	37.30
UNF 02	3/4"	37.30	44.50
UNF 03	1"	37.30	50.80
UNF 04	1 1/4"	43.70	71.40
UNF 05	1 1/2"	55.60	77.80
UNF 06	2"	55.60	94.50
UNF 07	2 1/2"	58.70	123.80
UNF 08	3"	85.70	136.50
UNF 09	3 1/2"	85.70	149.20
UNF 10	4"	88.90	163.50

**Application :**

REC connects two different sizes of conduit together or is used to replace a coupling and reducer in an installation.

**Features :**

REC reducers have :

- # Integral bushings in both ends which prevents damage to wires
- # Funnel shaped interior to guide the wires from large to small conduit, making it easy to pull wires

**Standard Materials :**

- # Cast Iron

**Standard Finishing :**

- # Hot-Dip Galvanized & Enamel Clear Coat
- # Powder Coat : Information Available On Request



**ANSI / NEMA FB 1 - REC REDUCERS**

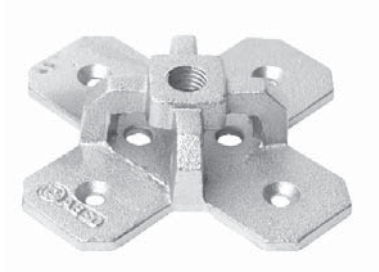
\*Standard Material : Cast Iron

\*Standard Finishing : Hot-Dip Galvanized

Catalog No.	Size (in)
REC 0201	3/4" x 1/2"
REC 0301	1" x 1/2"
REC 0302	1" x 3/4"
REC 0402	1 1/4" x 3/4"
REC 0403	1 1/4" x 1"
REC 0502	1 1/2" x 3/4"
REC 0503	1 1/2" x 1"
REC 0504	1 1/2" x 1 1/4"
REC 0602	2" x 3/4"
REC 0603	2" x 1"
REC 0604	2" x 1 1/4"
REC 0605	2" x 1 1/2"
REC 0705	2 1/2" x 1 1/2"
REC 0806	3" x 2"
REC 0907	3 1/2" x 2 1/2"
REC 1008	4" x 3"
REC 1110	5" x 4"



**AIR TERMINAL**  
( Copper Multiple Point  
For Use With Elevation Rods )



**Flat Base**



**Air Terminal Base**  
( Vertical )



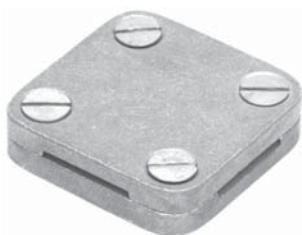
**Air Terminal Base**  
( Horizontal )



**Tape Clip**



**Saddle Wall Clamp**



**Square Tape Clamp**



**Square Clamp**



**Ground Rod**



**Copper Tape**



**Copper Ground Rod**

NEMA FB\*1 93 6470247 0504851 209

## HISTORY

This NEMA Standards Publication represents the results of many years of research and investigation by the members of NEMA, its predecessors, its Sections and Committees. It has been developed through continuing consultation among manufacturers, users, and national engineering societies. It reflects a study of the following publications, and credit is hereby given to all those whose standards have been helpful in the preparation of this document.

American National Standards Institute (ANSI)  
 11 West 42nd Street,  
 New York, 10036

American Society of Mechanical Engineers(ASME)  
 22 Law Drive,  
 Fairfield, NJ 07007

Institute of Electrical and Electronic Engineers (IEEE)  
 45 Hoes Lane, P.O. Box 1331,  
 Piscataway, NJ 08855-1331

National Fire Protection Association (NFPA)  
 Batterymarch Park,  
 Quincy, MA 02269

ANSI/ASME B1.20.1-1983  
 ANSI/IEEE 268-1992  
 ANSI/NFPA 70-1993  
 ANSI C80.1-1990  
 ANSI C80.3-1991  
 ANSI C80.6-1986

General Purpose Pipe Threads  
 Metric Practice  
 National Electrical Code  
 Specification for Zinc Coated Rigid Steel Conduit  
 Specification for Zinc Coated Electrical Metallic Tubing  
 Intermediate Metal Conduit (IMC) Zinc Coated

American Society for Testing and Materials  
 1916 Race Street,  
 Philadelphia, PA 19103

B86-88

Specification for Zinc Alloy Die Castings

Canadian Standards Association, Inc.  
 178 Rexdale Boulevard,  
 Rexdale, Ontario, Canada M9W 1R3

C22.2 No. 0.5-1982  
 C22.2 No. 18-1987  
 C22.2 No. 41-1987

Threaded Conduit Entries  
 Outlet Boxes, Conduit Boxes and Fittings  
 Grounding and Bonding Equipment

National Institute of Standards and Technology  
 U.S. Department of Commerce,  
 Washington, DC 20234

Fed-Standard H28 Part II

Screw Thread Standards

Copyright by the NATIONAL ELECTRICAL MANUFACTURERS ASSOCIATION (NEMA)  
 on Feb 02 02:31:38 1998

### ANSI/NFPA 70 - National Electrical Code

Materials manufactured for use as conduits, raceways, ducts, boxes, cabinets, equipment enclosures, and their surface finish materials shall be capable of being subjected to temperatures up to 932 °F(500 °C) for 1 hour and shall not support combustion under the same temperature condition. Other materials when encased in concrete shall be acceptable.

Copyright NFPA



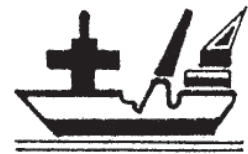
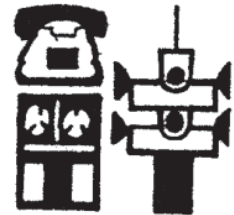
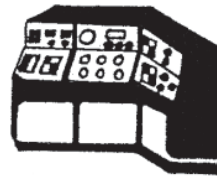
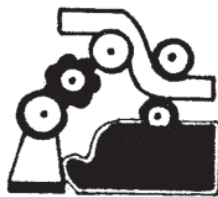
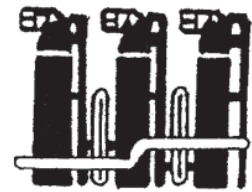
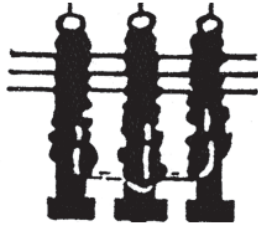
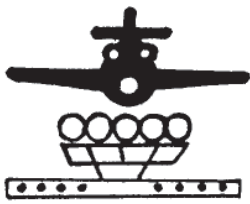


**ABS O**<sup>®</sup>  
CONDUIT & FITTINGS



**EMERGENCY LIGHTING**

**FOR**



CONDUITS AND FITTING THEIR SURFACE FINISH MATERIALS SHALL BE CAPABLE OF BEING SUBJECTED TO TEMPERATURES UP TO 932° F ( 500° C ) FOR 1 HOUR



LEADERSHIP FOR EMERGENCY LIGHTING



ABSO & MAXSPID, premium quality products, are part of the high-profile projects such as Suvarnabhumi New Bangkok International Airport, MRTA, BTS, EGAT, PTT, Bangchak Petroleum, Commercial Building of Bangkok Government Complex and Changi Airport of Singapore.

