

# IQ-LED24

## Entrance and Exit LED Display



The LED display adopts highlighted display module with built-in illuminator. Metal casing and powder-sprayed coating meet the requirements of outdoor using. It supports multi sensors & displaying custom content with available configurations of screen brightness, speed, pictures, time, animation and table. Auto-timing adjustment of illuminator brightness and multiple communication are available. The display supports worldwide languages, weather, subtitles, image and working with relay switch.

### Functions

#### Custom Content

Displays custom content with configurations of screen brightness, speed of image/text/subtitle/time/environmental sensors info.

#### Flexible Communication Mode

Supports ethernet port, serial RS232+485/USB interface and relay switch. RS485 can work for environmental sensors/LPR cameras, etc.

#### Manual/ Auto-timing Brightness Adjustment

Supports manual & auto-timing adjustment of screen brightness.

#### Support Multiple Sensors, Environmental Data Visualized

Connect with various environmental monitoring sensors can measure and display temperature, humidity, brightness, noise, PM2.5, PM10, wind direction/speed, negative oxygen value, etc.

#### Worldwide Languages Display

Supports worldwide languages, including Spanish, Français, Deutsch, Italiano, Português, Türkçe, Magyar, Român, etc.

#### Secondary Development

Support secondary development kit that supports Windows, Linux, Android, and iOS. Kit includes various dynamic libraries, communication protocols, test routines.

Provide C++, C# complete development demo, allowing users to perform secondary development across different platforms.

- Highlighted LED module displays in 80× 80 lattice diagram (4 mm pixel pitch) with full color
- Supports worldwide languages contents display
- 3 built-in LED illuminators with adjustable brightness
- Supports temperature/humidity/noise/air quality/wind/smoke/ radar sensors, etc.
- Supports Ethernet/RS232/RS485/USB communication
- 16777216 Full color display
- SDK supported

### Scene

Applicable to malls, hospitals, schools, residential areas, office buildings, stations and parking lots.

### Technical Specification

#### Basic

Monitor	LED (displays in red, green and blue)
Display Dmensions	320 mm × 320 mm (12.60" × 12.60") (L × W)
Display Content	Displays license plate information, time, charge information, remaining parking space, custom information, etc.
Pixels Configuration	1R1G1B/R:G:B=3:6:1
Resolution	6,400 dots (80 × 80); 4 lines; Pixel pitch: 4mm ( 0.16")
Service Life	100,000 hours
Screen Brightness	≥4,500 cd/m <sup>2</sup> (Level 16 Auto/100 Manual operation)
View Angle	≥120° (Vertical), ≥120° Horizontal

#### Function

Area type	Picture / text/animation/ calendar/clock/timer/ temperature/ humidity /Radar
Multi Interface	RS232, RS485, RJ45, USB, RELAY, IR, TEMP, HUMI, LIGHT, TEST, Program, 50PIN(XSJK)

#### External Port

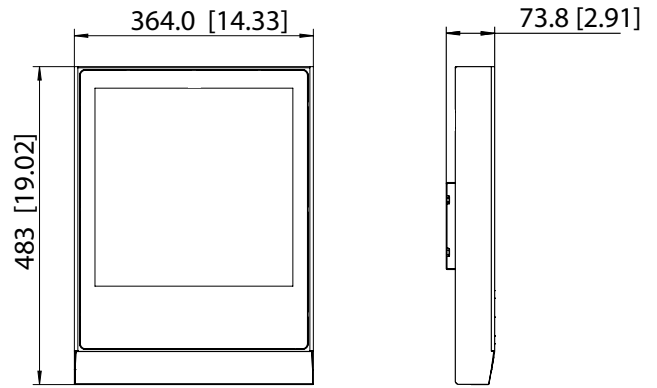
RS-485	1
USB	Support USB disk transmission program

#### General

Power Supply	100 V–240 V AC
Power Consumption	< 30 W

Operating Temperature	-30 °C to +70 °C (-22 °F to +158 °F)
Operating Humidity	10%–90% (non-condensing)
IP Rating	IP68
Product Dimensions	364 mm × 483 mm × 73.8 mm (14.33" × 19.02" × 2.91") (L × W × H)
Net Weight	7.2 kg (15.87 lb)
Gross Weight	8 kg (17.64 lb)
Installation	Pole mount (bracket)

## Dimensions (mm[inch])



## Ordering Information

Type	Model	Description
LED Display	IQ-LED24	Industrial entrance and exit LED display

## Installation

### Bracket

