



# AIR HAMMER SK-SERIES

## FEATURES

1. One impact wave per one shot.
2. Highly strengthened aluminum structure.
3. Impact force and interval timing can be set by request.
4. Extended magnetic strength to increase piston impact power.

The single impact model of Air Hammer impacts on one specific target sport on limited target.

Air Hammer impact will not separate water out of humid mixtures.

It is often applied onto pipe or elbow clean and tank filled with humidity or small S.G. Material.



Temperature: -40~100°C  
Noise level range: 80-115 dBA

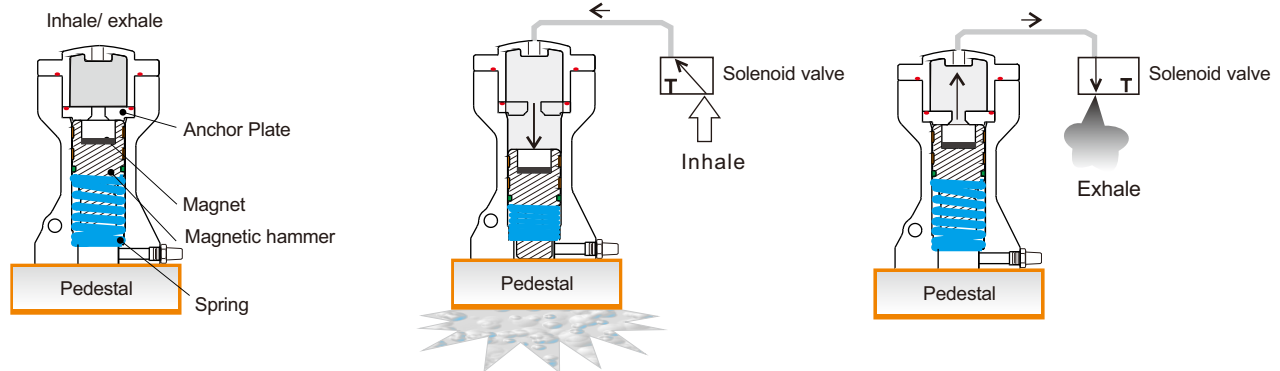
## WORKING PRINCIPLE

There is a powerful magnet inside the air hammer. As the inlet air pressure is higher than magnetic force, the hammer and magnet will separate and cause strong impact power. Spring will bring hammer back to the initial position automatically after the impact.

By doing so, the air pressure will be released and the strength of air pressure will be delivered to target impact container. It will help to smooth the flow and prevent accumulation inside the container.

(1) The hammer is tightly attached to magnetic anchor plate when air pressure is smaller than magnetic power.

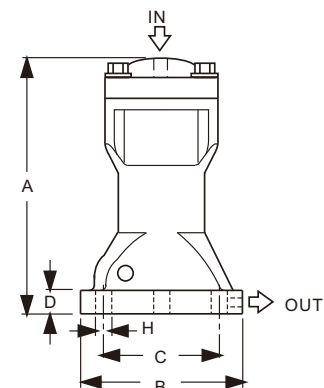
(2) The hammer instantly drops down when air pressure overcomes the strength of Magnet to cause a downward impact.



Unit= mm

Model No.	A	φB	φC	D	φH	IN	OUT
SK-30	130	80	67	14	9	1/4"G	1/8"G
SK-40	158	98	77	20	11	1/4"G	1/4"G
SK-60	250	140	110	20	15	1/4" PT	1/4"G
SK-80	280	180	140	22	15	3/8" PT	3/8"G

Model No.	USEFUL PRESSURE	FORCE	AIR CONSUMPTION	WEIGHT (g)
SK-30	3~7 kg/cm <sup>2</sup>	0.75 kg.m/s	0.028 l/e.t.	1.2kg
SK-40	3~7 kg/cm <sup>2</sup>	2.2 kg.m/s	0.082 l/e.t.	2.0kg
SK-60	3~7 kg/cm <sup>2</sup>	7.4 kg.m/s	0.228 l/e.t.	5.3kg
SK-80	4~7 kg/cm <sup>2</sup>	16.4 kg.m/s	0.455 l/e.t.	9.0kg



※ l / e.t. means the air consumption (ℓ) per one shot.