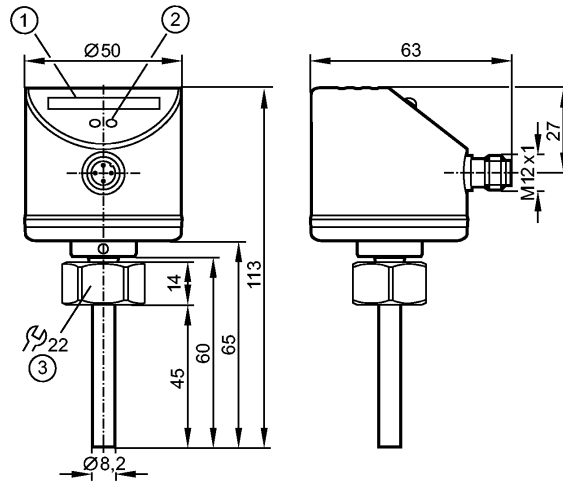


**SI5004**

SID10ADB10OG/

Flow sensors



- 1: LED display
- 2: setting pushbutton
- 3: tightening torque 25 Nm

Made in Germany



**Product characteristics**

Flow transmitter
Compact type for adapter
Process connection: internal thread M18 x 1.5 for adapter
Analogue output
Setting range: 3...300 cm/s

**Application**

Application	liquids
Medium temperature [°C]	-25...80

**Electrical data**

Electrical design	DC
Operating voltage [V]	19...36 DC
Current consumption [mA]	< 60
Protection class	III
Reverse polarity protection	yes

**Outputs**

Output function	4...20 mA analogue
Overload protection	yes
Analogue output	4...20 mA, max. 22 mA
Max. load [Ω]	500

**Measuring / setting range**

Liquids	
Setting range [cm/s]	3...300
Greatest sensitivity [cm/s]	3...100
Gases	
Setting range [cm/s]	-

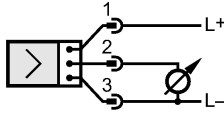
**Accuracy / deviations**

Repeatability [% of Sr]	1...5 *)
Accuracy [% of the final value]	± 2...± 10 cm/s *)

## SI5004

SID10ADB10OG/

Flow sensors

Reaction times	
Power-on delay time [s]	10
Response time [s]	1...10
Environment	
Pressure rating [bar]	300
MAWP (for applications according to CRN) [bar]	208
Ambient temperature [°C]	-25...80
Storage temperature [°C]	-25...100
Protection	IP 67
Tests / approvals	
EMC	DIN EN 61000-6-2 DIN EN 61000-6-3
Shock resistance	DIN EN 60068-2-27: 50 g (11 ms)
Vibration resistance	DIN EN 60068-2-6: 20 g (55...2000 Hz)
MTTF [Years]	259
Mechanical data	
Process connection	internal thread M18 x 1.5 for adapter
Materials (wetted parts)	stainless steel 316L / 1.4404; O-ring: FKM 8 x 1.5 gr 80° Shore A
Housing materials	stainless steel 316L / 1.4404; stainless steel (304S15); PC; PBT-GF 20; EPDM/X
Weight [kg]	0.237
Displays / operating elements	
Function display LED	10 LEDs, three-colour
Electrical connection	
Connection	M12 connector
<b>Wiring</b> 	
Remarks	
Remarks	*) for water; 5...100 cm/s; 25°C (factory setting) **) for water; 5...100 cm/s; 10...70°C
Pack quantity [piece]	1
Other data	
Temperature drift [cm/s x 1/K]	0.1 **)