



OPERATION MANUAL
Flow switch



Flow switch

■ **Flow Switch Specification**

Measure range	Water:3-300cm/s; Air: 200-3000cm/s; Oil: 3-300cm/s
Accuracy	±1-±10cm/s
Settling time	3 minutes
Pressure	100Bar
Media temperature	-20 to 80 °C
Install	G1/2、G1/4 Male thread / M18 Female thread
Output signal	PNP/NPN/Relay
Power	24VDC、110VAC、220VAC
Sensor length	15mm、20mm、30mm、40mm、60mm
Consumption current	<60mA
Setting	Potentiometer
Response time	2(2-10)s
Load	Current: 250mA Relay: 30VDC/5A, 220VAC/5A
Max. temperature gradient of medium	300K/min
Output protect	Reverse/Short/Overload
Protect	IP67
Power connector	M12 with 1m cable
Material	Sensor: ANSI316L Body: ANSI316L

Flow switch

Preface

Dear users, welcome to use flow switch. The manual described the installing and operations. The users have to follow the directions to install and operate. Only the authorized personnel can operate this production.

Before turn on power, please make sure the power is correct if not will cause that damage.

If you have any problems with this production. Please contact with our distributors. This operation manual content will be changed once the functions are be modified.

■ **Panel**



There are six LEDs indicator

Remove the protect screw and then use the screw driver to adjust the potentiometer

■ **Operation**

Adjustment (switch output)

Red LED on: The flow is cut off or flow is lower than the set-point

Yellow LED on: The flow is equal to the set-point

Yellow and green LEDs on: The flow is higher than the set-point

When the meter is fixed, turn on the flow and use the screw driver to adjust the potentiometer let the first green LED is just on. Once the flow is become slow and the first green LED is off then the output is 24V in the NC mode. (please see the (4) Wiring)

Adjustment (analog output)

The analog output is 4-20mA signal and it's direct proportion to flow, the output is not linear.

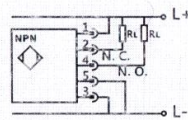
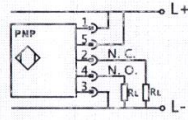
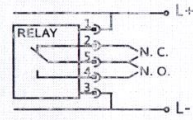
- Red LED on: output = 4mA
- 1 LED on: output >4mA
- 2 LEDs on: output >8mA
- 3 LEDs on: output >12mA
- 4 LEDs on: output >16mA
- 5 LEDs on: output =20mA

When the meter is fixed, turn on the flow and use the screw driver to adjust the potentiometer to set the mA output.

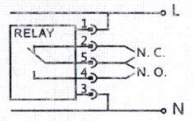
Flow switch

Wiring

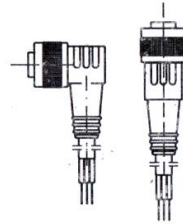
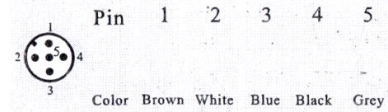
33VDC



25-265VAC

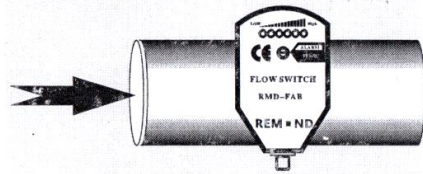


Body M12 connector



Installing

1



2

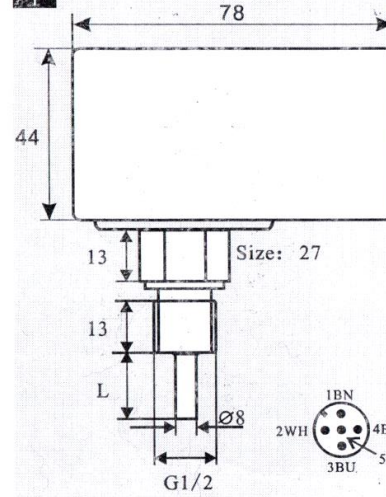


To install the flow switch, do not use hand or other tools in the area beyond indication to turn the flow switch, if so, may cause products damage.

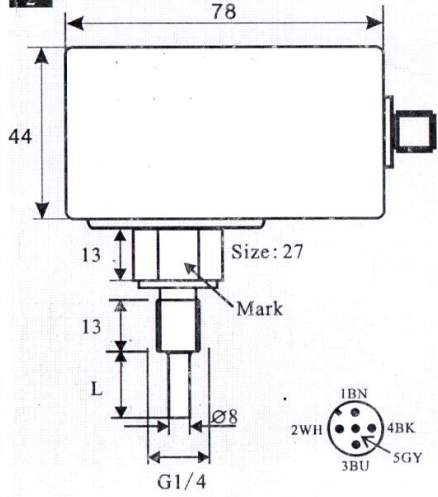
Flow switch

Size

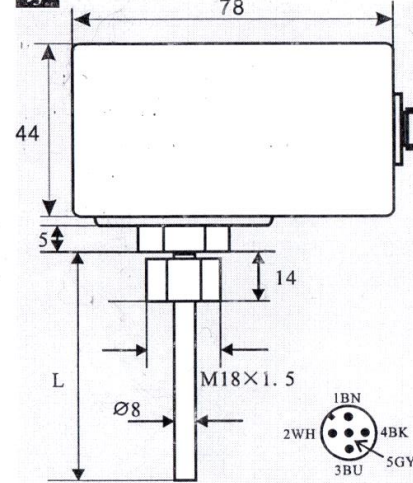
1



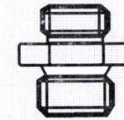
2



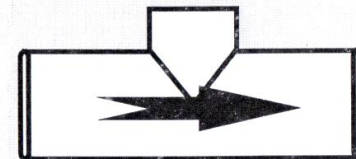
3



Options



Options



The L is the length of sensor that has 5 kinds: 15mm, 20mm, 30mm, 45mm, 60mm)