



Model: AR827

Humidity & Temperature Meter Instruction manual



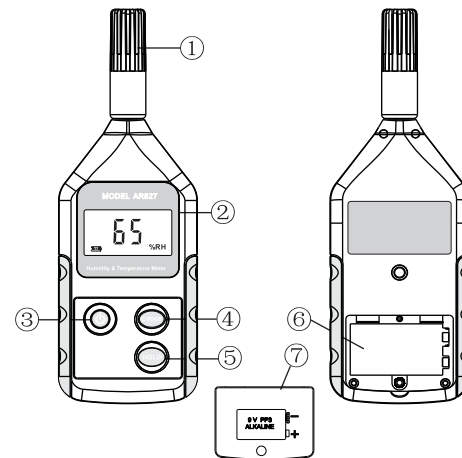
Please read this manual carefully before using Temperature & humidity meter. The instruction will show you how to use this premium quality and accurate meter distinctly. Temperature & humidity meter widely apply on laboratory, warehouse, air conditioning system and quality control etc.

A Specification:

- 1) LCD display reading;
- 2) Measurement range:
Temperature: $-10^{\circ}\text{C} \sim +50^{\circ}\text{C}$ / $14^{\circ}\text{F} \sim +122^{\circ}\text{F}$
Humidity: 10%~99%
- 3) Accuracy:
Temperature: $\pm 1^{\circ}\text{C}$ ($\pm 2.8^{\circ}\text{F}$)
Humidity: $\pm 3\%$ (in 25°C , 30~99%RH)
 $\pm 5\%$ (in 25°C , 10~30%RH)
- 4) Response time:
Temperature: $1^{\circ}\text{C}/3$ sec (approx.)
Humidity: 45%~99%RH ≤ 3 minutes
99%~45%RH ≤ 5 minutes
- 5) Resolution:
Temperature: 0.1°C / 0.1°F
Humidity: 0.1%
- 6) Sampling time: 2 times/sec
- 7) Operation conditions:
Temperature: $-0^{\circ}\text{C} \sim +40^{\circ}\text{C}$
Humidity: $< 99\%$
- 8) Power supply: 9V alkali battery
- 9) Storage condition:
Temperature: $-10^{\circ}\text{C} \sim +60^{\circ}\text{C}$
Humidity: $< 70\%$

B Diagram description:

- 1) Temperature and humidity sensor
- 2) LCD
- 3) ON/OFF button
- 4) Temperature and humidity switch button
- 5) Hold reading button
- 6) Battery compartment
- 7) Battery door



C Operation

- 1) Open battery door and insert 9V battery properly.
- 2) Press ON/OFF button to turn on, LCD will show temperature reading instantly. When the reading became stable, press Hold button for locking the data.
- 3) Press C/RH/F button convert to measuring environmental humidity, LCD will show RH reading instantly. RH reading will became stable after 15 sec (approx.).
While turning on, LCD display temperature in Celsius, press C/RH/F button to obtain RH data, press C/RH/F button again LCD will convert to show temperature in Fahrenheit.

IntelliSafe

CE

