

T-105 6V 225Ah

Sealed Lead-Acid (SLA) Deep Cycle Battery



Applications

- EV Golf Cart, Utility Vehicles or NEV
- Scissor Lifts, Aerial Work Platforms
- Floor Sweeper, Scrubbers or Floor Cleaning Machine
- Material Handling
- Renewable Energy

General Features

- DOD 50% more than 1000 life cycles
- Long life and high stability under high temperature environment
- Design for usable at tropical countries
- Rechargeable and maintenance-free
- Gel VRLA (Valved Regulated Lead-Acid) battery

Specifications

BCI Group Size	Model	Voltage	Cell	1 Capacity (Ah) @ 25°C						2 Minutes of Discharge			Internal Resistance	Dimensions (mm)				Weight (kg)
				1 hr rate	2 hr rate	5 hr rate	10 hr rate	20 hr rate	100 hr rate	@25A	@56A	@75A		L	W	H	TH	
GC2	T-105	6V	3	131	150	185	208	225	252	450	171	120	≤ 2.5mΩ	260	180	265	272	34.7

¹ The amount of amp-hours (Ah) a battery can deliver when discharged at a constant rate a 25°C and maintain a voltage above 1.75V/cell. Capacities are based on peak performance.

² The number of minutes a battery can deliver when discharged at a constant rate at 25°C and maintain a voltage above 1.75 V/cell. Capacities are based on peak performance.

Charging Instructions

Recommended Charge Current

- With Temperature Compensation
- Without Temperature Compensation

Charge Voltage (6 Volts)

Bulk Charge

Absorption Charge

Float Charge

Temperature Compensate Factor

Cyclic Application

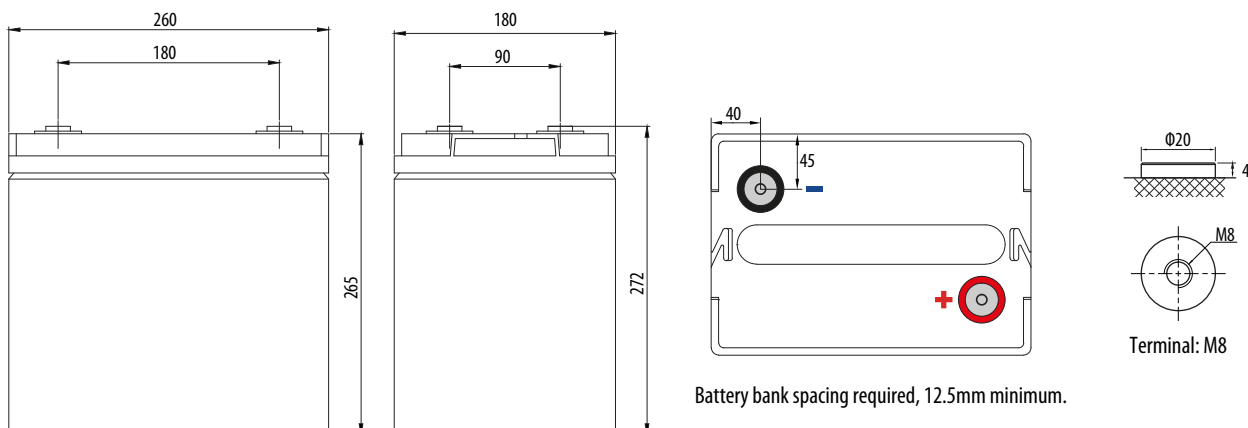
- 50 A Max.
- 19 - 25 A
- 7.2 - 7.45 V
- 7.35 V
- 7.35 V
- 6.85 V
- 4 mV/°C/Cell

Operating Temperature

- Discharge:** -15°C~45°C
- Charge:** -15°C~45°C
- Storage:** -15°C~45°C

DO NOT charge at temperature corrected voltages above 7.5 Volts (2.5 Volts/cell).
Use of voltage controlled charger is a requirement for warranty coverage.
For best cycle life, limit discharge to less than 50% of the battery's 20 hour capacity.

Dimensions and Terminal



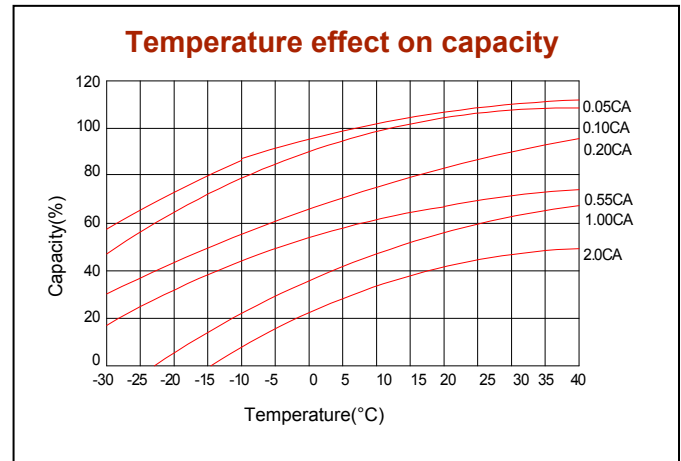
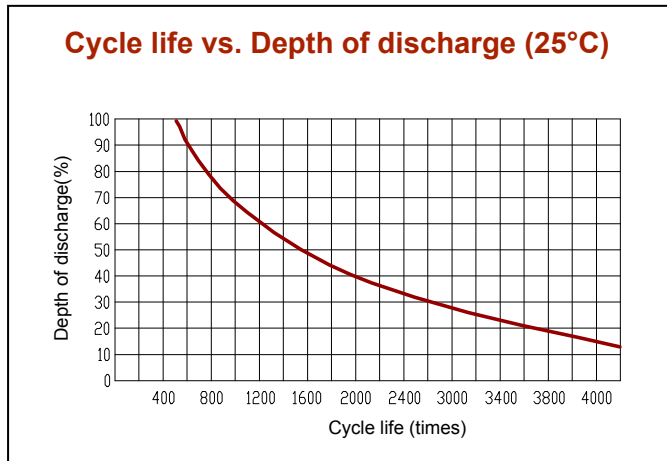
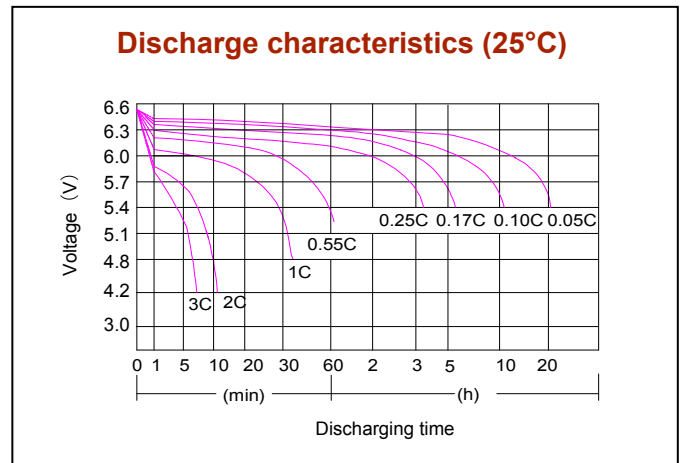
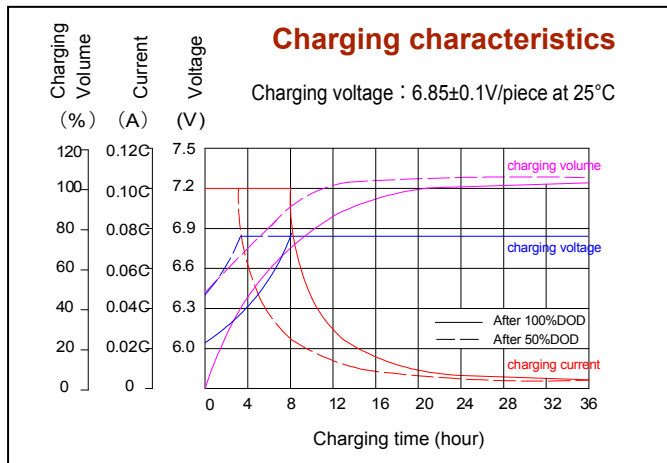
T-105 6V 225Ah

Sealed Lead-Acid (SLA) Deep Cycle Battery



Battery Construction

Positive plate	Negative plate	Container&Cover	Safety valve	Terminal	Seperator	Electrolyte	Pillar seal
Thick high Sn, low Ca grid	Pb-Ca grid	ABS	Si-Rubber	Copper insert M8	PVC/AGM seperator for high pressure cell	Silicone Gel	Two layers epoxy resin seal



DENA ENGINEERING CO.,LTD.

185/1 Wongsawang Road, Wongsawang, Bangsue, Bangkok 10800 THAILAND

Tel. 02-587-7780, 02-910-9600 Fax. 02-587-1624 e-mail: dena@dena.co.th www.dena.co.th