

# SH1275 12V 7.5Ah (20Hr) Sealed Lead-Acid (SLA) Battery

## General Features

- Non-spillable construction design
- Long life span 5 years in floating condition
- High quality AGM separator: extend cycle life and prevents micro short circuit
- 99.99% pure lead plates ensure high quality and high reliability
- ABS material
- Valved Regulated Lead-Acid (VRLA) battery

## Specifications

Nominal Voltage	12 V
Number of cell	6
Design Floating Life @25°C	5 years
Nominal Capacity @25°C	
20 hour rate (0.38A, 10.8V)	7.5 Ah
10 hour rate (0.71A, 10.8V)	7.1 Ah
5 hour rate (1.34A, 10.5V)	6.7 Ah
1 hour rate (4.95A, 9.6V)	4.95 Ah
Internal Resistance	≤ 21mΩ
Self-Discharge @25°C per month	3%
Operating Temperature: Discharge	-15°C~45°C
Charge	-15°C~45°C
Storage	-15°C~45°C
Maximum Discharge Current @25°C	45A (5s)
Charge (Constant Voltage) @25°C	
Cycle Use	14.4 - 14.8 V
Maximum charging current	2.25A
Temperature compensation	-30mV/°C
Standby Use	13.5 - 13.8 V
Temperature compensation	-20mV/°C

## Battery Construction

Positive plate:	Thick high Sn low Ca grid with special paste
Negative plate:	Balanced Pb-Ca grid improved recombination efficiency
Container and cover:	ABS-HB
Safety valve:	Flame Si-Rubber and aging resistance
Terminal:	F2
Separator:	Advanced AGM separator for high pressure cell design
Electrolyte:	Dilute high purity sulfuric acid
Pillar seal:	Two layers epoxy resin seal

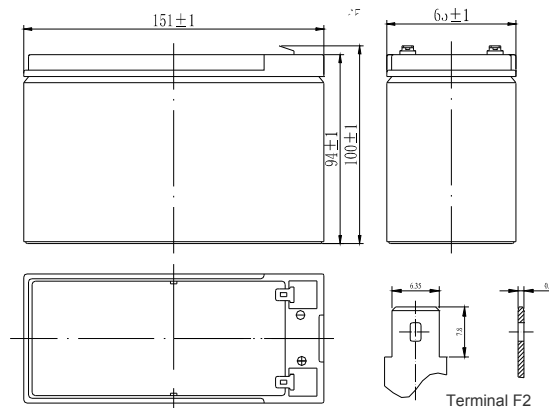
## Applications

- Fire & Security
- Alarm & Portable lights
- Power tools & Toys
- Emergency power systems



## Dimensions and Terminal

Length (mm/inch)	151/5.95
Width (mm/inch)	65/2.56
Height (mm/inch)	94/3.71
Total height (mm/inch)	100/3.94
Weight (kg/lbs)	2.2/4.84



## Discharge Constant Current (Amperes at 25°C)

F.V/Time	15min	30min	1h	3h	5h	10h	20h
1.60V	12.42	8.25	4.95	2.12	1.41	0.79	0.41
1.65V	12.19	8.10	4.86	2.08	1.39	0.77	0.41
1.70V	11.96	7.95	4.77	2.04	1.36	0.76	0.40
1.75V	11.74	7.80	4.68	2.00	1.34	0.74	0.39
1.80V	11.29	7.50	4.50	1.93	1.28	0.71	0.38

## Discharge Constant Power (Watts at 25°C)

F.V/Time	15min	30min	1h	3h	5h	10h	20h
1.60V	23.90	15.88	9.53	4.08	2.72	1.51	0.79
1.65V	23.46	15.59	9.36	4.01	2.67	1.48	0.78
1.70V	23.03	15.30	9.18	3.93	2.62	1.46	0.77
1.75V	22.60	15.02	9.01	3.86	2.57	1.43	0.75
1.80V	21.73	14.44	8.66	3.71	2.47	1.37	0.72

**DENA ENGINEERING CO.,LTD.**

185/1 Wongsawang Road, Wongsawang, Bangsue, Bangkok 10800 THAILAND

Tel. 02-587-7780, 02-910-9600 Fax. 02-587-1624 e-mail: dena@dena.co.th [www.dena.co.th](http://www.dena.co.th)