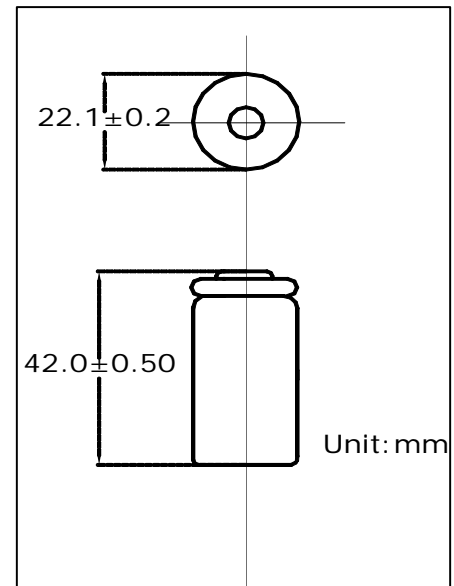
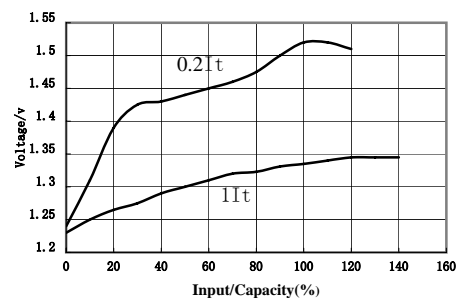


Type: Sealed Rechargeable Nickel Cadmium Cylindrical Cell

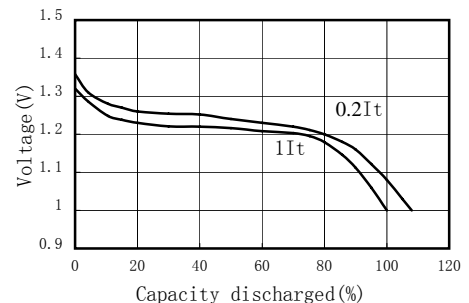
Model No.	: SC
Nominal Dimension	: $\phi = 22.1 \pm 0.2\text{mm}$
(with sleeve)	: $H = 42.0 \pm 0.5\text{mm}$
Internal Resistance	: $\leq 14\text{m}\Omega$ (upon fully charged)
Applications	: Recommended discharge current 180-1800mA
Nominal Voltage	: 1.2V
Capacity	: Minimum: 1800mAh : Typical: 1890mAh When discharged at 0.2C to 1.0V at 20°C
Charging Condition	: 180mA for 14hrs at 20°C
Fast Charge	: up to 540mA (0.3C) : charge termination control recommended control parameters: - ΔV : 5-10mV DT/dt : 0.8-1°C/min TCO : 45-50°C Timer : 120% nominal input
Permanent charge	: 59mA to 90mA
Max. overcharge current	: 900mA (2.4 hrs)
Service Life	: >500 cycles (IEC standard)
Continuous Overcharge	: Fully charged at 900 mA(0.5C) for 2.4hrs No conspicuous deformation and/or leakage
Weight	: 44g(Ref)
Ambient Temperature Range	: Standard Charging : 0°C to 50°C : Fast Charging : 10°C to 50°C : Discharging : -30°C to 60°C : Permanent charge : 0°C to 45°C : Storage (6 month) : -20°C to 35°C : Storage (1month) : -20°C to 45°C : Storage (1week) : -20°C to 55°C



Charge curve



Discharge Curves



The information (subject to change without prior notice) contained in this document is for reference only and should not be used as a basis for product guarantee or warranty. For applications other than those described here, please consult DeNA Engineering Co., Ltd.

DENA ENGINEERING CO.,LTD.

185/1 Wongsawang Road, Wongsawang, Bangsue, Bangkok 10800 THAILAND

Tel. 02-587-7780, 02-910-9600 Fax. 02-587-1624, 02-910-9142 e-mail: d@dena.co.th www.dena.co.th



TIS 2217-2548