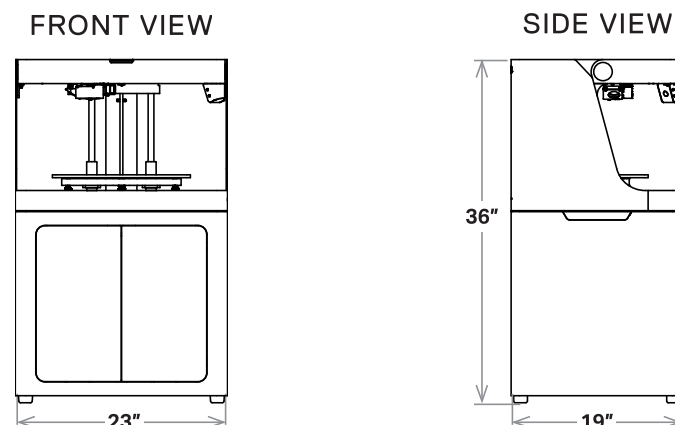


PRODUCT SPECIFICATIONS

X5 (Gen 2)

The X5 utilizes fiberglass-reinforced thermoplastic to create parts 10x as strong as standard printing plastics. Our laser-assisted, durably built large format machine reliably produces high-strength parts at an affordable price point in any environment.

Printer Properties	Process	Fused filament fabrication, Continuous Filament Fabrication
	Build Volume	330 x 270 x 200 mm (13 x 10.6 x 7.9 in)
	Weight	48 kg (106 lbs)
	Machine Footprint	584 x 483 x 914 mm (23 x 19 x 36 in)
	Print Bed	Kinematic coupling — flat to within 80 μ m
	Laser	Bed leveling, active print calibration
	Extrusion System	Second-generation extruder, out-of-plastic and out-of-fiber detection
	Power	100–240 VAC, 150 W (2 A peak)
	RF Module	Operating Band 2.4 GHz Wi-Fi Standards 802.11 b/g/n
Materials	Plastics Available	Onyx, Onyx FR, Onyx ESD, Nylon White, P-PLA
	Fibers Available	Fiberglass
	Tensile Strength	590 MPa (19.0x ABS, 1.9x 6061-T6 Aluminum) *
	Tensile Modulus	21 GPa (9.4x ABS, 0.3x 6061-T6 Aluminum) *
Part Properties	Layer Height	100 μ m default, 50 μ m minimum, 200 μ m maximum
	Infill	Closed cell infill: multiple geometries available
Software	Supplied Software	Eiger Cloud (Other options available at cost)
	Security	Two-factor authentication, org admin access, single sign-on



* Continuous fiberglass data. **Note:** All specifications are approximate and subject to change without notice.

