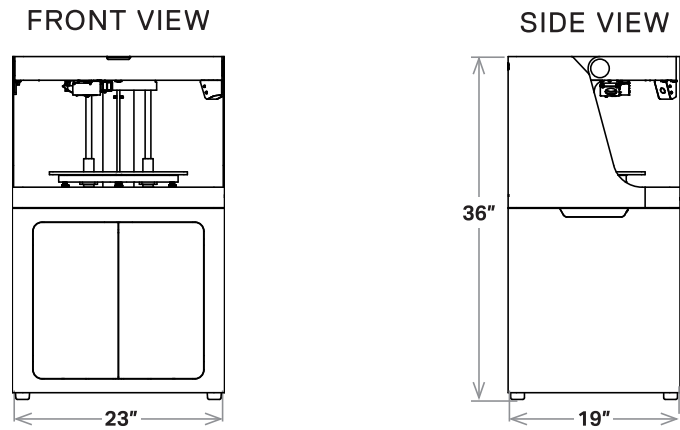


X3 (Gen 2)

The X3 prints strictly engineering-grade plastic parts. It leverages the incredible material qualities of Onyx—twice the strength and stiffness of standard printing plastics—with an advanced sensor suite to deliver unparalleled reliability. Parts meet tight tolerances with beautiful surface finish and are perfect for production line equipment.

Printer Properties	Process	Fused filament fabrication
	Build Volume	330 x 270 x 200 mm (13 x 10.6 x 7.9 in)
	Weight	46 kg (102 lbs)
	Machine Footprint	584 x 483 x 914 mm (23 x 19 x 36 in)
	Print Bed	Kinematic coupling — flat to within 80 µm
	Laser	Bed leveling, active print calibration
	Extrusion System	Second-generation extruder, out-of-plastic detection
	Power	100–240 VAC, 150 W (2 A peak)
	RF Module	Operating Band 2.4 GHz Wi-Fi Standards 802.11 b/g/n
Materials	Plastics Available	Onyx, Onyx FR, Onyx ESD, Nylon White, P-PLA
	Fibers Available	None
	Tensile Strength	52 MPa (1.7x ABS) *
	Tensile Stiffness	4.2 GPa (1.9x ABS) *
Part Properties	Layer Height	100 µm default, 50 µm minimum, 200 µm maximum
	Infill	Closed cell infill: multiple geometries available
Software	Supplied Software	Eiger Cloud (Other options available at cost)
	Security	Two-factor authentication, org admin access, single sign-on



* Onyx ESD data. **Note:** All specifications are approximate and subject to change without notice.

