



X310 Product Show



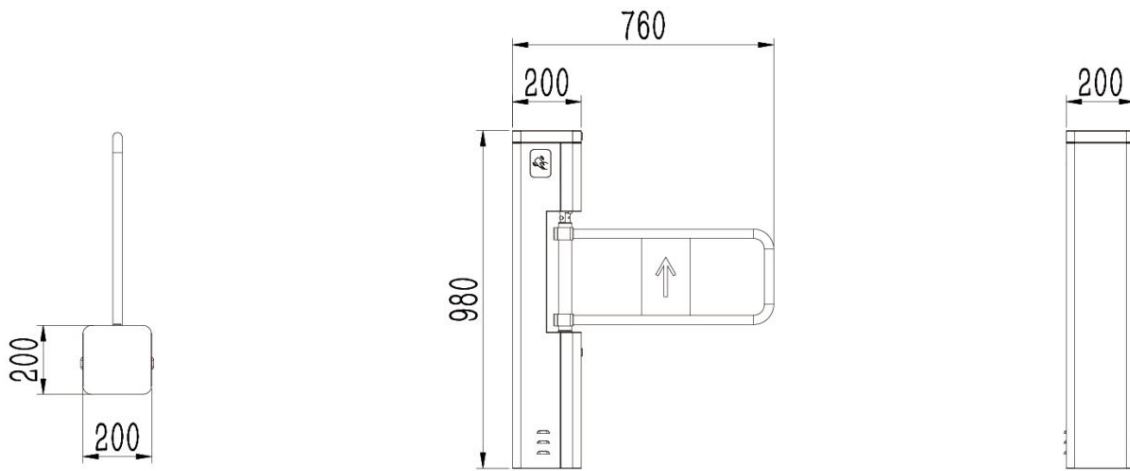
Functions & Features

- Reasonable and reliable design, low noise, smooth operation and long service life ;
- With function of opening doors automatically under power-off state to meet the need of fire-fighting passage ;
- With functions of anti-tail, anti-reverse pass and so on;
- Card can be set "with memory" or "without memory" functions;
- With automatic reset function, i.e. after having access to the gate, the gate automatically restores to the locked state if not pass within the time set;
- With infrared anti-clip function (anti-clip when gate is open or running);
- Compatible with IC, ID card, scanning and face recognition,etc.
- Two modes of operation are available: open or closed.
- Various working modes are available, including two-way card reading and one-way card reading,etc.

Parameter

Material	1.2/1.0mm SUS304
Size	200*200*980mm
Sensor pairs	5 pairs
Pass rate	35p/m
Pass width	600-900mm
Input voltage	100V~240V
Motor type	DC brush motor
Environment	-20~+70°C
Power supply	24V 150W
Net weight	30kg

Product



Case share

