

Enclosed Area

UV-C disinfection
trolley

UV-C disinfection Trolley

A flexible UV-C disinfection solution is used to fill the targeted enclosed space or room with disinfecting ultraviolet radiation.

Product ensures strong reduction of bacteria and viruses with listed timeslot and offers great variety for options of lamp directions and disinfection durations.

Features and benefits

- UV-C effectively inactivates many viruses and germs on directly irradiated surfaces.¹ Moreover, in laboratory testing, Signify's UV-C light sources inactivated 99% of SARS-CoV-2 virus on a surface with an exposure time of 6 seconds.²
- Environment Friendly as no ozone emission, no residue after or during usage.
- Additional warning and protection solution to help containment safeguard against unexpected exposure to UV-C radiation.



¹ Fluence (UV Dose) Required to Achieve Incremental Log Inactivation of Bacteria, Protozoa, Viruses and Algae Revised, updated and expanded by Adel Haji Malayeri, Madjid Mohseni, Bill Cairns and James R. Bolton. With earlier contributions by Gabriel Chevretils (2006) and Eric Caron (2006) With peer review by Benoit Barbeau, Harold Wright (1999) and Karl G. Linden.

² Data made available to us by the National Emerging Infectious Diseases Laboratories (NEIDL) at Boston University, which has been collected from a laboratory experiment conducted by Dr. Anthony Griffiths (Associate Professor of Microbiology at Boston University School of Medicine) and his team at the premises of the NEIDL (such data will be the subject of a forthcoming scientific publication by Boston University), shows that Signify's UV-C light sources irradiating the surface of a material inoculated with SARS-CoV-2 (the virus that causes the COVID-19 disease) at a UV-C dose of 5mJ/cm² (exposure time 6 seconds) resulted in a 99% reduction of the SARS-CoV-2 virus present on that surface. This study determined that a UV-C dose of 22mJ/cm² results in a reduction of 99.9999% of SARS-CoV-2 virus on that surface (exposure time 25 seconds). Research variables are available upon request.

Product Specification

	1 Arm	2 Arm
Input voltage	220-240V/50/60Hz	
Safety Class (driver+system)	Class I	
Total Power	65W	130W
UVC lamp power	30W *2	30W*4
UVC lamp wavelength	254nm	
Ballast	HFP 236	
Operating temp	5°C - 40°C	
Ta	25°C	
Size	104.5 x 23.5 x 25.5 cm	118 x 40 x 34 cm
Weight	6.7kg	18.8Kg
Lamp Useful life	9000 hrs	
Ballast Lifetime	40K hrs	
Flying cable	1500mm	
Panel / remote controller lifetime	15K keystrokes (press times)	
Housing Material	Stainless Steel	
PC parts	UV resistant PC, RAL7043	
Arm adjustable angle	0~180°, 6 steps base on current design	0~180°, 6 steps base on current design
Ozone free	Yes	
Door Locker	Yes	
Remote controller	Yes, wall/door through, group controlling	
Voice Alarm	Yes	
Power on indicator	Yes	
Power on alarm	Voice alarm	
Time setting	5 step: 15min/30 min/ 60 min/ 90 min/ 120 min	
Safety start	30s delay after Power on	
Warranty	1yr	
Service part	UVC-Lamp / ballast / remote controller / Key	

Warnings and safety

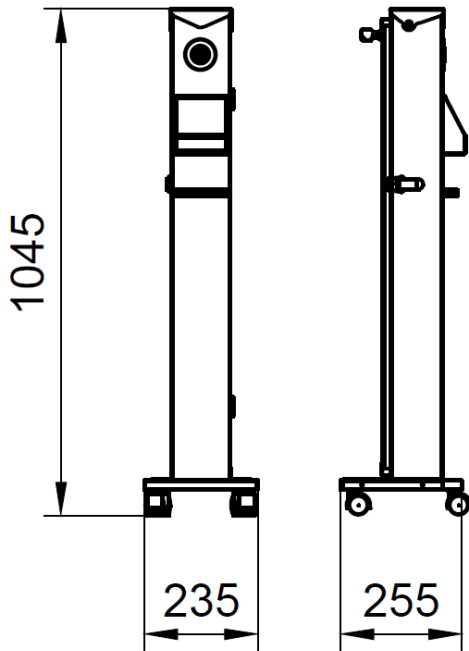
DANGER: Risk Group 3 UV product. Like any disinfection system, UV-C lamps and devices must be installed and used in the correct way. Direct exposure to UV-C can be dangerous and result in a sunburn-like reaction to the skin and serious damage to the cornea. As UV-C is invisible to the eye, the UV-C trolley must be used by authorized person with adequate safeguards to ensure that the UV-C disinfection trolley can be operated in a safe way. The UV-C disinfection trolley are only to be used as components in a system that consists of adequate safety safeguards such as, but not limited to, those indicated in the mounting instructions and/or user manuals. Direct exposure to UV-C is dangerous. Philips UV-C products must only be sold through qualified partners and installed by professionals according to our stringent safety and legal requirements. Our UV-C products are not meant to be used in applications or activities which may cause and/or lead to death, personal injury and/or damage to the environment.

Disclaimer

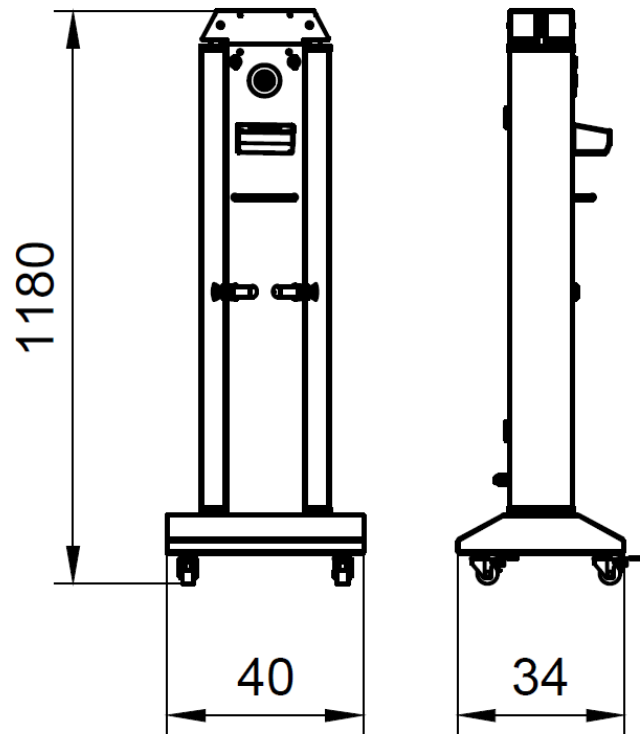
The UV-C disinfection trolleys' effectiveness in the inactivation of certain viruses, bacteria, protozoa, fungi or other harmful micro-organisms is as described above under the heading "Benefits". Signify and its group of companies do not promise or warrant that the use of the UV-C disinfection trolleys will protect or prevent any user from infection and/or contamination with any viruses, bacteria, protozoa, fungi, illness or disease. The UV-C disinfection trolleys are not approved for, are not intended and must not be used as medical devices, as such term may be defined under the applicable laws of the countries in which the battens are made available. In addition to and without limitation of any exclusions or limitations of liability of Signify and its group of companies as set forth in any agreement for the sale, distribution or otherwise making available of the UV-C trolleys, Signify and its group of companies shall have no responsibility or liability whatsoever for any claim or damage that may arise from or relate to any use of the UV-C trolleys outside of their intended use or contrary to their installation and operation instructions, each as described in this document under the user manuals and/or the mounting instructions.

Dimension drawing

1 arm



2 arm



Order Information

1 arm		2 arm		Clarification on flex & plug
12NC	Product Description	12NC	Product Description	
911401792982	UVCT100 65W 01	911401793102	UVCT200 130W 01	ANZ standard
911401792992	UVCT100 65W 02	911401793112	UVCT200 130W 02	British standard
911401793002	UVCT100 65W 03	911401793122	UVCT200 130W 03	China mainland standard
911401793012	UVCT100 65W 04	911401793132	UVCT200 130W 04	Indonesia standard
911401793022	UVCT100 65W 05	911401793142	UVCT200 130W 05	Korea standard
911401793032	UVCT100 65W 06	911401793152	UVCT200 130W 06	KSA standard
911401793042	UVCT100 65W 07	911401793162	UVCT200 130W 07	Pakistan standard
911401793052	UVCT100 65W 08	911401793172	UVCT200 130W 08	Philippines standard
911401793062	UVCT100 65W 09	911401793182	UVCT200 130W 09	Taiwan standard
911401793072	UVCT100 65W 10	911401793192	UVCT200 130W 10	Thailand standard
911401793082	UVCT100 65W 11	911401793202	UVCT200 130W 11	Turkey standard
911401793092	UVCT100 65W 12	911401793212	UVCT200 130W 12	Vietnam standard

