


UV-C disinfection Trolley

A flexible UV-C disinfection solution is used to fill the targeted enclosed space or room with disinfecting ultraviolet radiation.

Product ensures strong reduction of bacteria and viruses with listed timeslot and offers great variety for options of lamp directions and disinfection durations.

Features and benefits

- UV-C effectively inactivates many viruses and germs on directly irradiated surfaces.¹ Moreover, in laboratory testing, Signify's UV-C light sources inactivated 99% of SARS-CoV-2 virus on a surface with an exposure time of 6 seconds.²
- Environment Friendly as no ozone emission, no residue after or during usage.
- Additional warning and protection solution to help containment safeguard against unexpected exposure to UV-C radiation.



¹ Fluence (UV Dose) Required to Achieve Incremental Log Inactivation of Bacteria, Protozoa, Viruses and Algae Revised, updated and expanded by Adel Haji Malayeri, Madjid Mohseni, Bill Cairns and James R. Bolton. With earlier contributions by Gabriel Chevretils (2006) and Eric Caron (2006) With peer review by Benoit Barbeau, Harold Wright (1999) and Karl G. Linden.

² Data made available to us by the National Emerging Infectious Diseases Laboratories (NEIDL) at Boston University, which has been collected from a laboratory experiment conducted by Dr. Anthony Griffiths (Associate Professor of Microbiology at Boston University School of Medicine) and his team at the premises of the NEIDL (such data will be the subject of a forthcoming scientific publication by Boston University), shows that Signify's UV-C light sources irradiating the surface of a material inoculated with SARS-CoV-2 (the virus that causes the COVID-19 disease) at a UV-C dose of 5mJ/cm² (exposure time 6 seconds) resulted in a 99% reduction of the SARS-CoV-2 virus present on that surface. This study determined that a UV-C dose of 22mJ/cm² results in a reduction of 99.9999% of SARS-CoV-2 virus on that surface (exposure time 25 seconds). Research variables are available upon request.

Product Specification

| | 1 Arm | 2 Arm |
|------------------------------------|---|--|
| Input voltage | 220-240V/50/60Hz | |
| Safety Class (driver+system) | Class I | |
| Total Power | 65W | 130W |
| UVC lamp power | 30W *2 | 30W*4 |
| UVC lamp wavelength | 254nm | |
| Ballast | HFP 236 | |
| Operating temp | 5°C - 40°C | |
| Ta | 25°C | |
| Size | 104.5 x 23.5 x 25.5 cm | 118 x 40 x 34 cm |
| Weight | 6.7kg | 18.8Kg |
| Lamp Useful life | 9000 hrs | |
| Ballast Lifetime | 40K hrs | |
| Flying cable | 1500mm | |
| Panel / remote controller lifetime | 15K keystrokes (press times) | |
| Housing Material | Stainless Steel | |
| PC parts | UV resistant PC, RAL7043 | |
| Arm adjustable angle | 0~180°, 6 steps base on current design | 0~180°, 6 steps base on current design |
| Ozone free | Yes | |
| Door Locker | Yes | |
| Remote controller | Yes, wall/door through, group controlling | |
| Voice Alarm | Yes | |
| Power on indicator | Yes | |
| Power on alarm | Voice alarm | |
| Time setting | 5 step: 15min/30 min/ 60 min/ 90 min/ 120 min | |
| Safety start | 30s delay after Power on | |
| Warranty | 1yr | |
| Service part | UVC-Lamp / ballast / remote controller / Key | |

Warnings and safety

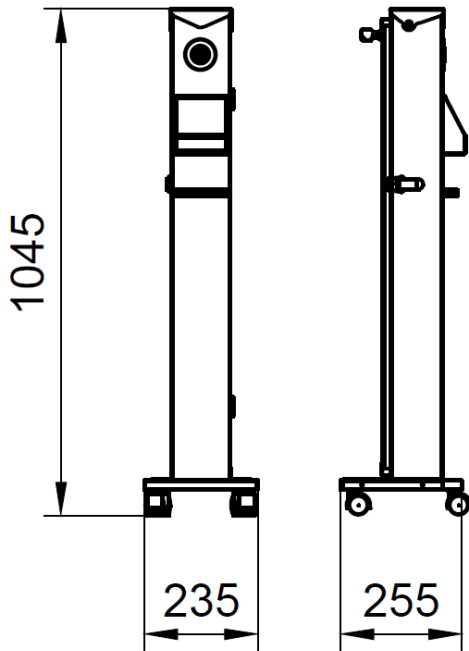
DANGER: Risk Group 3 UV product. Like any disinfection system, UV-C lamps and devices must be installed and used in the correct way. Direct exposure to UV-C can be dangerous and result in a sunburn-like reaction to the skin and serious damage to the cornea. As UV-C is invisible to the eye, the UV-C trolley must be used by authorized person with adequate safeguards to ensure that the UV-C disinfection trolley can be operated in a safe way. The UV-C disinfection trolley are only to be used as components in a system that consists of adequate safety safeguards such as, but not limited to, those indicated in the mounting instructions and/or user manuals. Direct exposure to UV-C is dangerous. Philips UV-C products must only be sold through qualified partners and installed by professionals according to our stringent safety and legal requirements. Our UV-C products are not meant to be used in applications or activities which may cause and/or lead to death, personal injury and/or damage to the environment.

Disclaimer

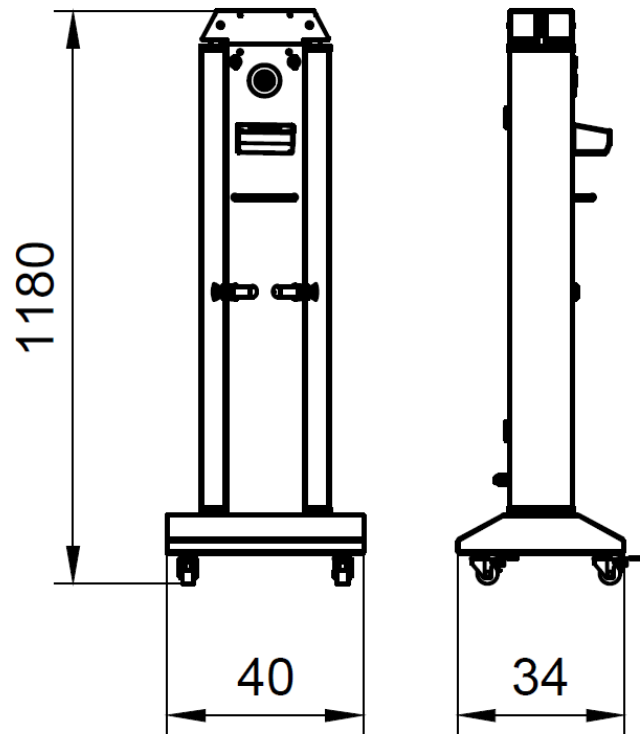
The UV-C disinfection trolleys' effectiveness in the inactivation of certain viruses, bacteria, protozoa, fungi or other harmful micro-organisms is as described above under the heading "Benefits". Signify and its group of companies do not promise or warrant that the use of the UV-C disinfection trolleys will protect or prevent any user from infection and/or contamination with any viruses, bacteria, protozoa, fungi, illness or disease. The UV-C disinfection trolleys are not approved for, are not intended and must not be used as medical devices, as such term may be defined under the applicable laws of the countries in which the battens are made available. In addition to and without limitation of any exclusions or limitations of liability of Signify and its group of companies as set forth in any agreement for the sale, distribution or otherwise making available of the UV-C trolleys, Signify and its group of companies shall have no responsibility or liability whatsoever for any claim or damage that may arise from or relate to any use of the UV-C trolleys outside of their intended use or contrary to their installation and operation instructions, each as described in this document under the user manuals and/or the mounting instructions.

Dimension drawing

1 arm



2 arm



Order Information

| 1 arm | | 2 arm | | Clarification on flex & plug |
|--------------|---------------------|--------------|---------------------|------------------------------|
| 12NC | Product Description | 12NC | Product Description | |
| 911401792982 | UVCT100 65W 01 | 911401793102 | UVCT200 130W 01 | ANZ standard |
| 911401792992 | UVCT100 65W 02 | 911401793112 | UVCT200 130W 02 | British standard |
| 911401793002 | UVCT100 65W 03 | 911401793122 | UVCT200 130W 03 | China mainland standard |
| 911401793012 | UVCT100 65W 04 | 911401793132 | UVCT200 130W 04 | Indonesia standard |
| 911401793022 | UVCT100 65W 05 | 911401793142 | UVCT200 130W 05 | Korea standard |
| 911401793032 | UVCT100 65W 06 | 911401793152 | UVCT200 130W 06 | KSA standard |
| 911401793042 | UVCT100 65W 07 | 911401793162 | UVCT200 130W 07 | Pakistan standard |
| 911401793052 | UVCT100 65W 08 | 911401793172 | UVCT200 130W 08 | Philippines standard |
| 911401793062 | UVCT100 65W 09 | 911401793182 | UVCT200 130W 09 | Taiwan standard |
| 911401793072 | UVCT100 65W 10 | 911401793192 | UVCT200 130W 10 | Thailand standard |
| 911401793082 | UVCT100 65W 11 | 911401793202 | UVCT200 130W 11 | Turkey standard |
| 911401793092 | UVCT100 65W 12 | 911401793212 | UVCT200 130W 12 | Vietnam standard |

