

POS 130 Series

15" / 17" POS Monitor

P130 Series features its flexibility and user-friendly design. It has versatile Touch Screen, adjustable from 4° to 90°. Moreover, it can be extended to a more complete POS solution by simply adding optional POS peripherals.

- Variety of Optional Packages
 - Touch Screen of 15" or 17"
 - Magnetic card reader
 - Flush mount VFD screen
 - Finger print scanner
- Slim and Lightweight
- Exchangeable with VESA Wall Mount



Features



1. Tilt angle 4°~90° degree
Adapt to operation in any environment



4. Hidden cable management



2. MSR / Finger print



5. Easy-operate OSD buttons

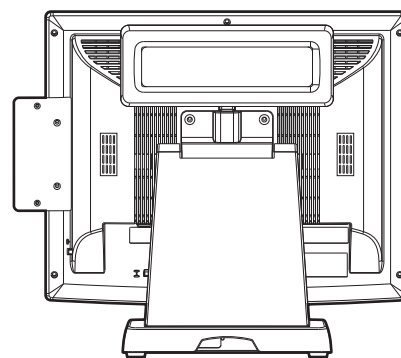
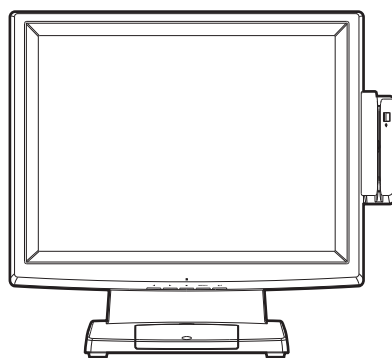


3. VFD customer display unit



6. Internal power adapter design

POS 130 Series



Specification

Model Name	POS 135	POS 137
Motherboard	B16	
LCD Touch Panel		
LCD Size	15" TFT LCD	17" TFT LCD
Brightness	250 cd/m ²	250~380 cd/m ²
Resolution	1024x768	1280x1024
Touch Screen	Resistive	
Tilt Adjustment	4° ~ 90°	
External I/O Ports		
VGA	1	
DC Jack	1	
OSD Button	5 x (left, right, power, menu, select)	
USB Port	1 x USB 2.0 (Type A), 1 x USB 2.0 (Type B to PC)	
Serial Port	2 x COM (1 x DB-9/F type to PC, 1 x RJ-45 type to VFD)	
Power	Adapter (DC 36W, 12V, 3A)	
Control / Indicator		
Power Button	1	
Indicator LED	1	
Peripheral		
MSR / Finger print	MSR (USB) / Finger print scanner (USB) (Either one module is accepted)	
Customer display	2 x 20 VFD customer display (COM)	
Certificate		
EMC & Safety	FCC Class A / CE Mark / LVD	
Environment		
Operating Temperature	0°C ~ 40°C (32°F ~ 104°F)	
Storage Temperature	-20°C ~ 55°C (-4°F ~ 131°F)	
Operating Humidity	5% ~ 95% RH non-condensing	
Storage Humidity	5% ~ 95% RH non-condensing	
Dimension (W x D x H)	LCD 90° tilt angle: 365.2 x 217.8 x 338.9 mm	LCD 90° tilt angle: 399.2 x 217.8 x 381.5 mm
Weight	4.8kg (10.6lbs)	6kg (13.2lbs)
Mouning	100mm x 100mm VESA Standard holes	

Product specifications are subject to change without prior notice.

