

Outdoor LED Display DS-TVL224-4-5Y

Outdoor LED display DS-TVL224-4-5Y, placed in parking lot, community, bank, enterprise and public institution. It can display the standard English characters and numeric characters, and its standard communication method is network and RS485. According to different requirements, user can configure in the information center and the device can show different real-time information. The display can implement different combination according to the demand.



Notes: Pictures for reference only, subject to our available products.

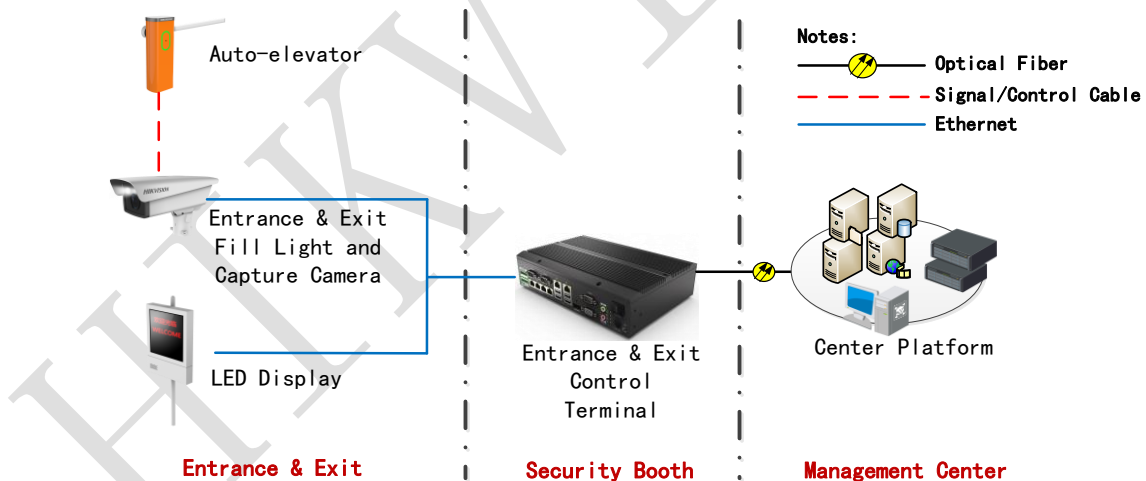
Model Description

Product Model	Function Description
DS-TVL224-4-5Y	Four lines, four words, double colors, with speaker

Key Features

- Placed in the entrance of the parking lot, displaying the information of available parking space, license plate, welcome, time, audio remind., etc.
- Displaying standard English characters and numeric characters, and its standard communication method is RJ45/RS485, both online and offline are supported
- Displaying different content according to the instruction from the host computer

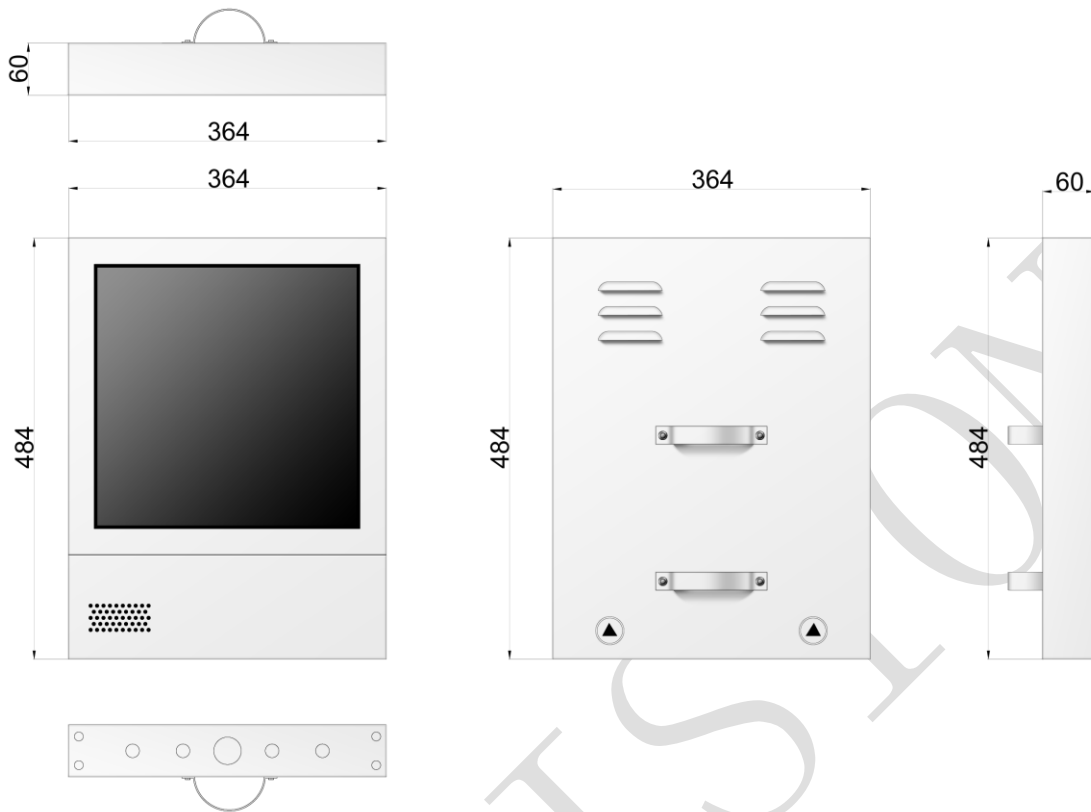
Typical Application



Specification

Item	Specification
Working Voltage	AC220V±10% , 50Hz
LED Brightness	1200cd
LED Angel	110°
Frame Material	Iron Frame Spraying Plastic(Dark armored glass for display part)
Installation Method	Hoop on the back
Speaker Specification	4Ω10W
Protection Grade	IP65
Dot Pitch	P4.75
Fundamental Color	1 Red 1 Green
Downward Communication Methods	RJ45/RS485
Display Method	Instant, Left Shift, Up Forward, etc.
Character Display	GB2312 Character Set, 16 * 16 Lattice Chinese Characters
485 Communication Rate	RS485 : 57600 bps
Communication Distance	RS485:1200m,RJ45:120m
Power Consumption	Max 50W , Average 30W
Display Size	304mm(Width) 304mm(Height)
Dimension	364mm(Width)* 484mm(Height)* 60mm(Depth)

Dimension



Unit: mm

