



Wireless Presentation Solution

Model : MTC-4500

Wireless presentation is becoming an essential element in today's workspace as it enhances communications by collaboration and files sharing. MTC-4500, a powerful wireless presentation tool, is therefore developed to revolutionize presentation to the next level of efficiency and productivity. It allows up to 16 users to connect their PCs, tablets or smartphones to MTC-4500 base unit simultaneously, while 4 users can mirror his/her screen as the main screen. Laptop can be mirror-viewed by dongle-less software or optional dongles. It supports video output of up to 4K@60Hz. It offers annotation and whiteboard tools to enhance collaboration. With MTC-4500, you can work smartly without any cables!



Mirror up to 4 sources simultaneously



Preview the screens of the connected users



PCs and Macs can be mirror-viewed by dongle or dongle-less software



Mirror Android devices by Android Apps or iOS devices by AirPlay



Extended Display (for Win 7 and Win 10)



Segmented dual networks for guests and staffs



Sketches on whiteboard or annotation can be captured and downloaded



Different levels of encryption to fulfil different network setup needs



Technical Specifications

MTC-4500 Wireless Presentation Solution

Specification of Base Unit



Base Unit Part Number MTC-4500B

Video / Audio Formats

Video Input	Wireless: MTC-4000D (USB Dongle), MTC-4000H (HDMI Dongle), MTC-4000U (Software Dongle)
Video Output	1 x HDMI
Video Output Resolution	3840 x 2160 @ 60Hz max
HDMI Format Compliance	HDMI 1.4/ 2.0
HDCP	HDCP 1.4/ HDCP 2.2
Audio Input Format HDMI	Embedded digital audio: 20kΩ impedance
Audio Output Format	De-embedded stereo analog audio: 20kΩ impedance

Connectors

HDMI Output	HDMI 19-pin female connector x 1
Analog Audio Output	3.5mm audio female connector x 1
Power Input	DC 12V/2A
LAN	RJ45 x 2: 1000Mbps (PoE) x 1, 100Mbps x 1
USB	USB 3.0 Type-A x 1, USB 2.0 Type-A x 1, USB Type-C x 1
Antenna	Antenna connectors x 2
RS232	3.5mm Phoenix terminal x 1

Features

Number of Window	4 windows max
Simultaneous Display	
Number of Video Preview	14 thumbnail windows
Number of Simultaneous	16 max (*subject to environment)
Connections	
Video Playback Frame Rate	20-60FPS
Wireless Transmission Protocol	IEEE 802.11 a/g/n/ac
Frequency Band	2.4GHz and 5GHz
Processing signal resolution	1080P @ 60Hz AirPlay for iOS devices 1080P @ 60Hz "MTC-4000" app 1080P @ 60Hz for optional dongle MTC-4000H 1080P @ 30Hz for optional dongle MTC-4000D and MTC-4000U
Mobile Capability	AirPlay, Free Android app
Encryption	AES 256 bit, RSA 1024 bit
USB HID	USB HID & touch screen support for controlling presentation

Control & User Interface

USB	HID for mouse or touch screen
Ethernet	Web UI for system setting
RS232	RS232 commands

Mechanical

Dimensions (W x D x H)	165mm x 95mm x 24.5mm (including antenna: 165mm x 125mm x 24.5 mm)
Weight	200g

Environmental

Operating Temperature	+32° to +104°F (0° to +40°C)
Humidity (Storage/Operating)	20% to 90% (non-condensing)

Power

DC Power	12V
Power Consumption	10W (max)
PoE	IEEE802.3af

Accessories

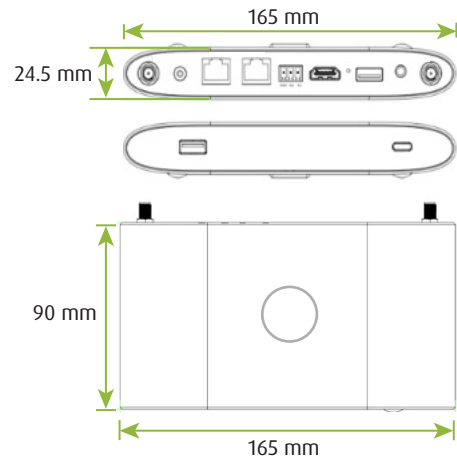
DC power supply with four plug-in connections x 1, US(type A), Europe(type C), UK (type G), Australia (type I); Antenna x 2, Rack Ear and Screws x 1 pairs

Warranty

3 years standard for both base unit and dongle

1 year standard for single-purchase dongles

Dimensions



Optional Dongles

Specification of USB Dongle



Part Number	MTC-4000D
USB Connector	USB 2.0 Type-A
Wireless	IEEE 802.11 n/ac
Processing Signal Resolution	1080p @ 30Hz
Streaming Distance	35 meters without obstacle between base unit and dongle
Storage	8GB, for "Launcher"
Button	Touch button
Indicator	Green/Red color back-lit LED
Dimension(L x W x H)	3.15" x 2.6" x 0.43" (80mm x 65mm x 11mm) With cable: 7.8" (198mm)
Weight	100g
Operating Temperature	+32°F to +104°F (0°C to +40°C)
Humidity(Storage/Operating)	20% to 90% (non-condensing)
USB Power	USB Internal 5V, 2W (max)

Specification of HDMI Dongle



Part Number	MTC-4000H
USB Connector	USB 2.0 Type-A
HDMI Connector	19-pin male connector
Wireless	IEEE 802.11 a/g/n/ac
Processing Signal Resolution	1080p @ 60Hz
Streaming Distance	35 meters without obstacle between base unit and dongle
Storage	No
Button	Touch button
Indicator	Green/Red color back-lit LED
Dimension(L x W x H)	3.15" x 2.6" x 0.51" (80mm x 65mm x 13mm) With HDMI cable: 4.33" (110mm) and USB cable 8.27" (210mm)
Weight	100g
Operating Temperature	+32°F to +104°F (0°C to +40°C)
Humidity(Storage/Operating)	20% to 90% (non-condensing)
USB Power	USB Internal 5V, 2W (max)

Remark: All features and specifications are subject to change without notice.

Specification of Software Dongle



Part Number	MTC-4000U
USB Connector	USB 2.0 Type-A
Wireless	Depends on the WiFi module of PC/Laptop
Processing signal resolution	1080p @ 30Hz
Streaming Distance	Depends on the WiFi module of PC/Laptop
Storage	8GB, for "Launcher"
Dimension(L x W x H)	2.78" x 0.67" x 0.41" (70.5mm x 17mm x 10.5mm)
Weight	30g
Operating Temperature	+32°F to +104°F (0°C to +40°C)
Humidity(Storage/Operating)	20% to 90% (non-condensing)
USB Power	USB Internal 5V, 2W (max)