

# DHI-LPH65/75/86-MT440-C

65/75/86" UHD Smart Interactive Whiteboard



## System Overview

With Android 8.0 embedded in its design, Dahua Smart Interactive Whiteboard has powerful processing capabilities with its 4-core CPU, 4-core GPU, and 4G 32G storage capacity. Equipped with a high-precision infrared frame with a 2 mm identification diameter and a 4K high-definition DLED module, this whiteboard will give you an extraordinary experience whether you are writing, controlling or displaying content. It features video conferencing, wireless screen sharing, file management, HD display, scan & go and more. Rely on this whiteboard to modernize your meeting room, and make your meetings more efficient.

## Functions

### 4K Camera with Ultra-wide FOV

8-MP camera with a maximum resolution of 4K@30 fps. It supports live view, and has an ultra-wide field of view (diagonal 112.7°, horizontal 104°, and vertical 70.2°), capturing vivid details even in relatively large meeting rooms.

### Hidden Antenna Design

The Wi-Fi and hotspot antenna has a front hidden design, which is not only beautiful and simple, but also ensures the stability of the signal strength when using a flush mount.

### Wireless Screen Sharing

In addition to basic file share, wireless screensharing and reverse control, it also supports screen grouping (multiple transmission), real-time transmission of wireless camera picture and sound from the mobile phone, host mode (for overall authority control) and split-screen mode that displays up to 9 splits on the same screen.

- 65/75/86-inch 4K DLED display with Zero Air Gap technology that delivers a clear image in sharp, vivid colors.
- Built-in 8-MP camera and microphone array that produces excellent quality visual and audio communication.
- Wireless screen sharing from multiple devices with an intuitive, easy-to-use system.
- Pressure and tilt sensitive stylus designed for a smooth, natural writing experience.
- Quick file sharing by scanning a QR code, with easy file encryption for added privacy and security.
- Optional OPS module, dual-system switchable.
- Fingerprint lock for protection of user information.

## Real Writing Experience

The smart interactive whiteboard supports tilt sensitivity writing. It comes equipped with specialized pressure-sensitive writing pens, designed to enhance the writing experience. With its soft, comfortable nib, writing on the whiteboard feels natural, similar to the real writing experience.

## Strong System Security

Supports digital password, gesture password and fingerprint password for added protection. These unlock methods can all be applied to USB permissions, the lock screen, touch lock and factory restore settings. Up to 256 fingerprint passwords can be set, and the system supports fingerprint resolution 508 DPI. The false acceptance rate is less than 0.001%, and the false rejection rate is less than 0.1%.

## Easy to Share

Enhances the experience of sharing files by scanning a code. It automatically determines the device network to readily share the QR code across the extranet and the intranet. QR code encryption and extraction are also featured, providing privacy and data security through the required entry of a 6-digit random password for verification.

## Scene

The whiteboard is ideal for use in indoor sites such as in meeting rooms, command centers, hospitals and banks.

**Technical Specification****Built-in System**

Operating System	Android 8.0
CPU	Dual-core A53 + dual-core A73
RAM	4 GB
ROM	32 GB

**LCD Panel**

Panel Dimensions	65-inch; 75-inch; 86-inch
Brightness	65-inch: 350 cd/m <sup>2</sup> ; 75-inch: 400 cd/m <sup>2</sup> ; 86-inch: 400 cd/m <sup>2</sup>
Contrast	1200: 1
Resolution	3840 (H) × 2160 (V)
Aspect Ratio	16: 9
Backlight	DLED
Lifespan	30,000 hours
Viewing Angle	H: 178°; V: 178°

**Touchscreen**

Touch Technology Type	Infrared touch technology
Touch Points	20
Writing Mode	Finger + Pen
Response Time	<10 ms
Valid Touch	2 mm
Communication Mode	USB

**Camera**

Pixel	8 MP (live view)
Auto Control	Auto white balance
Distortion	≤5%
Max. Resolution	4K@30 fps
Field of View	H: 104°; V: 70.2°; D: 112.7°

**Speaker**

Built-in Speaker	3
Power	Full frequency: 15 W × 2; bass: 15 W × 1

**Microphone**

Pick-up Distance	Far-field sound pickup: 6 m–8 m (19.69 ft–26.25 ft)
Number of Microphones	8
AGC	Yes
Echo Cancellation	Yes
Intelligent Noise Filtering	Yes
Polar Pattern	Omnidirectional

**Fingerprint**

Fingerprint Capacity	256
Fingerprint Resolution	508 DPI
FAR	<0.001%
FRR	<0.1%

**Function**

Operating System of External Module	Windows 7/8/10;Android
WiFi	Dual-band 2.4G/5G
Wi-Fi Hotspot	Dual-band 2.4G/5G; supports enabling Hotspot and Wi-Fi at the same time

**Device Ports**

Light Sensor	1
Front Button	1 × power button
Front Ports	1 × HDMI IN; 1 × touch; 2 × USB3.0
Network Port	2 × RJ-45
Wi-Fi	1 × Wi-Fi; 1 × Hotspot
USB	3 × USB3.0; 1 × USB2.0
RS-232	1 × RS-232
Video Input	3 × HDMI IN; 1 × DP; 1 × MINI AV IN; 1 × MINI YPBPR; 1 × VGA IN
Video Output	1 × HDMI OUT
Audio Input	1 × 3.5 mm; 1 × MIC IN
Audio Output	1 × 3.5 mm (EarPhone OUT); 1 × SPDIF
IrDA	1
Others	2 × Touch

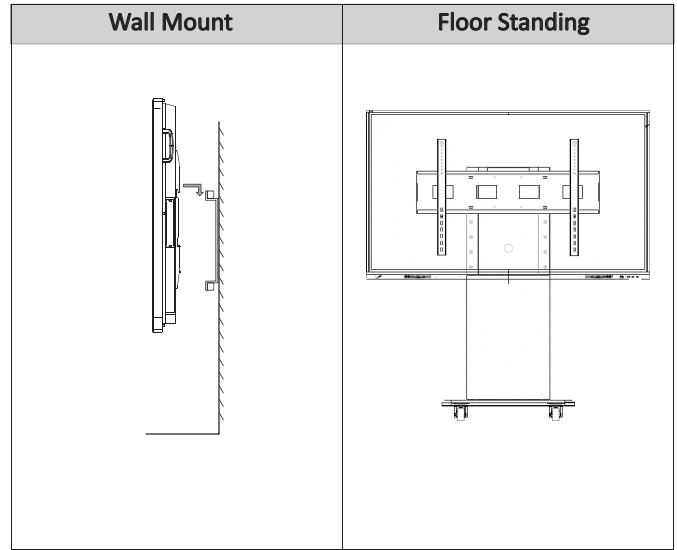
**General**

Power Supply	100–240 VAC, 50/60 Hz
Power Consumption	65-inch: 150 W; 75-inch: 300 W; 86-inch: 400 W
Product Dimensions	65-inch: 1,504.5 mm × 952.5 mm × 86.1 mm (59.23" × 37.5" × 3.39"); 75-inch: 1,715.5 mm × 1,066.7 mm × 85.4 mm (67.54" × 42.00" × 3.36"); 86-inch: 1,960.8 mm × 1,204.7 mm × 85.4 mm (77.20" × 47.43" × 3.36")
Packaging Dimensions	65-inch: 1,660 mm × 1,045 mm × 245 mm (65.35" × 41.14" × 9.65") 75-inch: 1,880 mm × 1,160 mm × 280 mm (74.02" × 45.67" × 11.02") 86-inch: 2,140 mm × 1,340 mm × 280 mm (84.25" × 52.76" × 11.02")
Operating Temperature	–10 °C to +45 °C (+14 °F to +113 °F)
Storage Temperature	–20 °C to +55 °C (–4 °F to +131 °F)
Operating Humidity	10%–90%
Storage Humidity	10%–90%
Product Material	Metal casing

# Smart Interactive Whiteboard Series | DHI-LPH65/75/86-MT440-C

Glass	Anti-dazzle tempered glass with a hardness of 7 on the Mohs scale
Casing Color (Frame/Rear)	Bottom: Space gray; top/left/right: black
Net Weight	65-inch: 44 kg (97.00 lb) 75-inch: 54 kg (119.05 lb) 86-inch: 66.75 kg (147.16 lb)
Gross Weight	65-inch: 56 kg (123.46 lb) 75-inch: 71.5 kg (157.63 lb) 86-inch: 87.05 kg (191.91 lb)
Installation	Wall mount; floor-standing

## Installation



## Ordering Information

Type	Model	Description
65-inch Smart Interactive Whiteboard With Camera	DHI-LPH65-MT440-C	Smart Interactive Whiteboard DHI-LPH65-MT440-C
75-inch Smart Interactive Whiteboard With Camera	DHI-LPH75-MT440-C	Smart Interactive Whiteboard DHI-LPH75-MT440-C
86-inch Smart Interactive Whiteboard With Camera	DHI-LPH86-MT440-C	Smart Interactive Whiteboard DHI-LPH86-MT440-C
Accessories	DHI-PKP-IP0A	Smart Pen (optional)
	DHI-PKP-WP0B	Wireless Screen Sharing Cable (optional)
	DHI-MC-PI5681IL	PC module I5-6400 + 8 GB + 128 GB (optional)
	DHI-MC-PI7682IL	PC module I7-6700 + 8 GB + 256 GB (optional)
	DHI-MC-PI5881IL	PC module I5 8 GB + 128 GB (optional)
	DHI-MC-PI5882IL	PC module I5 8 GB + 256 GB (optional)
	DHI-PKC-MS0A	65"/75" Interactive Whiteboard Mobile Stand (optional)
	DHI-PKC-MS1A	86" Interactive Whiteboard Mobile Stand (optional)
	DHI-PKC-MS0C	65"/75" Interactive Whiteboard Liftable Mobile Stand (optional)
	DHI-PKC-MS0B	65"/75" Interactive Whiteboard Mobile Stand (optional)
	DHI-PKC-MS1B	86" Interactive Whiteboard Mobile Stand (optional)

## Dimensions (mm[inch])

