

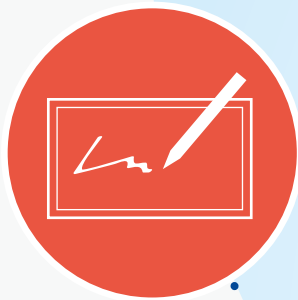


Samsung Flip 2

Teamwork simplified

SAMSUNG

Welcome to your best work life



Pen & paper annotation

- Pen Mode
- NEW** • Brush Mode
- Flexible Erasing
- Multi Writing up to 4
- InGlass Technology



Intuitive usability

- Capture
- NEW** • Selection Tool
- NEW** • Merge to Roll
- NEW** • Annotation on
- Seamless Scroll
- Quick Finder



SAMSUNG FLIP2

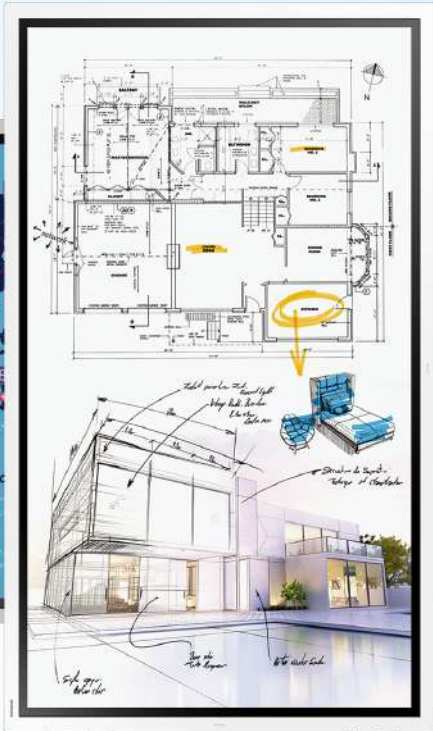


Convenience

- NEW** • Web Browser
- Document Viewer
- Screen Saver
- Various form Options
- NEW** • Samsung Workspace

What is Samsung Flip 2?

Samsung Flip is an intuitive and easy-to-use digital flipchart for any meeting environment, offering enhanced collaboration capabilities in an easy UI with a host of features, including brush mode, annotation on, merge to roll, and other collaboration tools. Available in two sizes, 55 and 65 inches, both models offer great collaborative features supported by unique designs. The 55-inch model offers increased workspace in front of the display, a hinge assembly structure and wheels for an efficient, moveable solution. The 65-inch model provides a larger screen which can be used as the main display in a meeting room, while the no gap wall mount removes any unnecessary space between the product and the wall. No matter the size, the Samsung Flip allows teams to work smarter, faster and better.



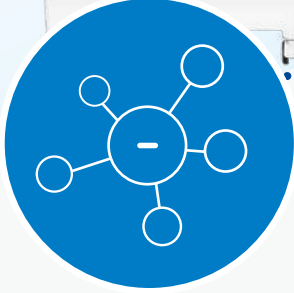
Innovative design

- NEW** • New Stand
- NEW** • No gap wall mount
- NEW** • Magnetic Pen Holder



Complete management

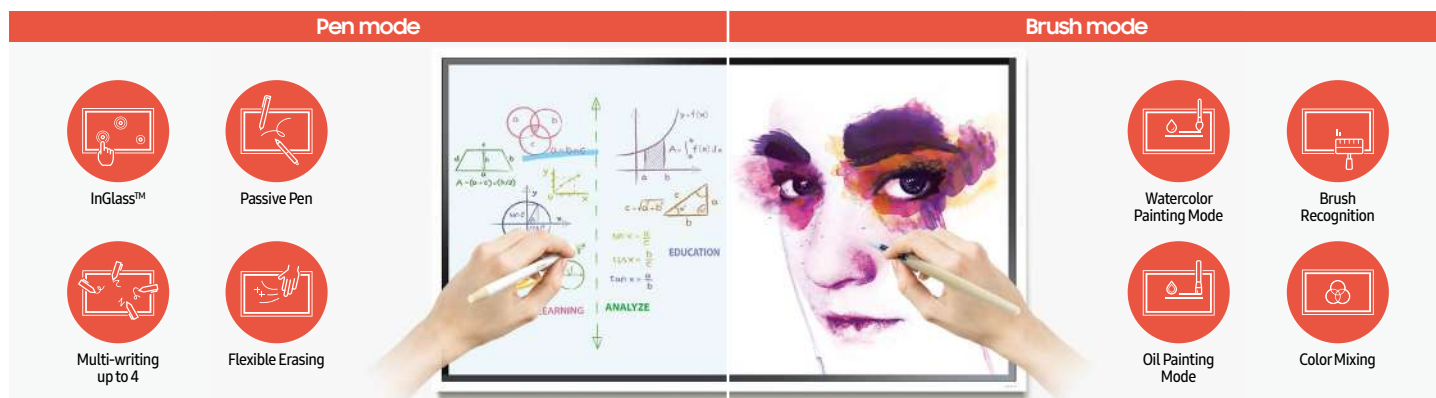
- NEW** • 6-Digit Lock
- File Security
- WPA2
- LDAP
- OTN
- NEW** • Remote Management



Powerful connectivity

- NEW** • Screen Share
- NEW** • Bluetooth Support
- Versatile Connectivity
- NEW** • Optional Tray
- NFC Tagging

Pen & paper annotation



Pen mode & Brush mode notation Draw, write & inspire new ideas

Samsung Flip provides smooth and familiar pen-to-paper-like writing in a variety of colors, styles and widths, while Brush Mode allows users to create art at the stroke of a brush in watercolor and oil painting modes. Up to 4 people can write simultaneously and erase drawings with a finger or palm swipe.

Intuitive usability



Selection tool & Merge to roll Flexible image editing

Bringing versatility to the board. With Samsung Flip, users can quickly and easily select, move, crop, capture, and edit any image. Each Image can also be merged to the roll with just one click of a button, allowing it to be edited or erased.



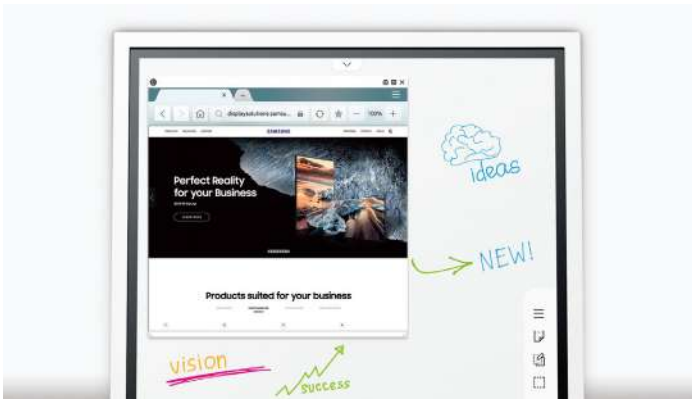
Annotation on Write on any background

Samsung Flip allows users to write on any background source. By simply clicking the note layer button, users can enjoy smooth writing anytime, anywhere on any content displayed, without affecting any work behind the original layer.



Seamless scroll & Quick finder Easy content navigation

Samsung Flip has up to 20 pages of writing space per roll, allowing users to seamlessly scroll through pages. The Flip's intuitive, user-friendly menu simplifies navigation and saves time, while the quick finder feature allows users to preview content and make instant changes directly on the screen.



Web browser
Simple web surfing while annotating

Samsung Flip now supports web browsing and allows users to access the internet directly through the display, with no additional device needed. Once the browser is open, annotation is still available for users to draw around the browser too.



Document viewer
Direct document access

Samsung Flip gives users the capability to open Microsoft Word, Microsoft PowerPoint, Microsoft Excel and PDF files directly with a built-in document viewer, ensuring easy access regardless of the content source.



Screen saver
Custom screen saver to reinforce your brand

When the display is not in use, users can select a custom image to be shown on the Flip as a screensaver. This means the Samsung Flip can help to reinforce a brand, for example, by displaying a company logo, providing an efficient solution even when not in use.



Various form options
Suitable for all business needs

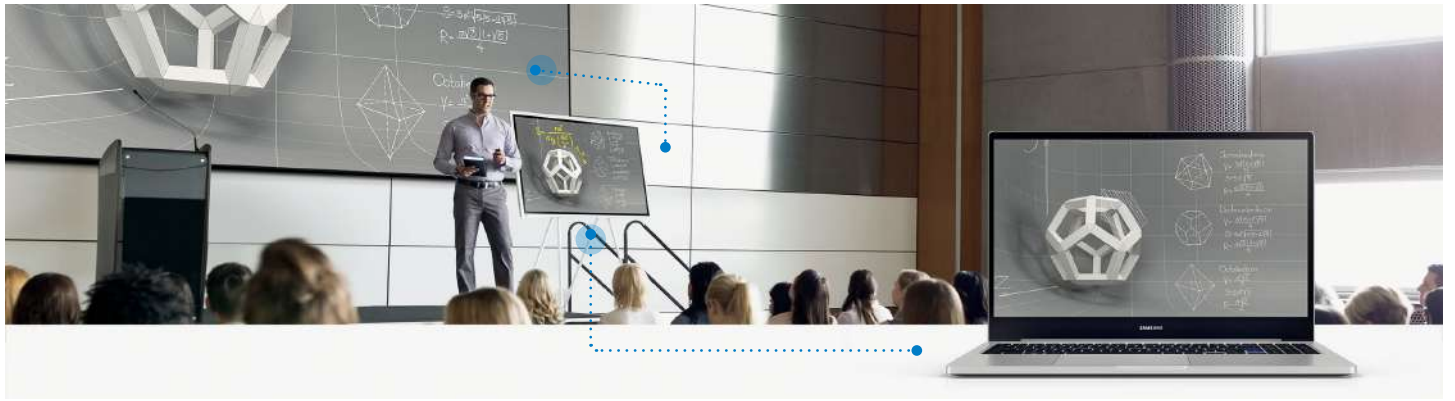
Samsung Flip can be used for a wide range of business applications, providing embedded versatile templates. You can use the Flip as a calendar, scheduler, note or checklist board, perfectly matching any business need, enabling users to utilize the display in the ways that are most useful for them.



Samsung Workspace
Comprehensive connectivity

The Flip features Samsung Workspace, which supports wireless cloud service access, Microsoft Office 365 access, and control of a PC without the need for a physical connection. Backed by Samsung's Knox security, this all ensures the Flip makes meeting spaces simpler, safer and more efficient.

Powerful connectivity



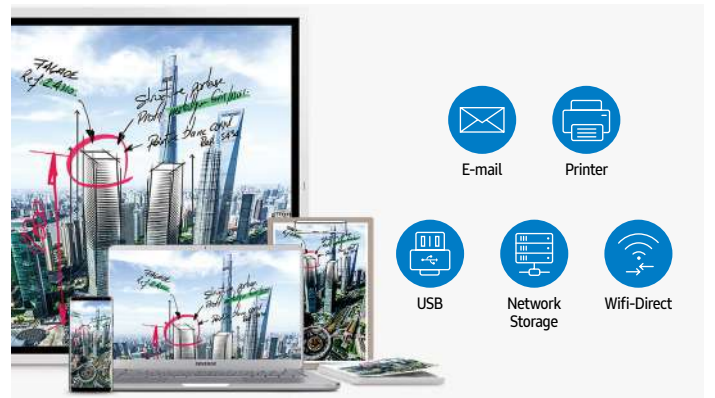
Screen share Large audience sharing

Users can project content on the Flip to another large digital display in real time, using a Wi-Fi Direct or HDMI out connection. The Flip display can even be shared while connected to a personal device, ideal for large meeting environments, delivering information to bigger audiences.



Bluetooth support Familiar and flexible devices

The Samsung Flip allows users to connect a bluetooth keyboard and mouse to the Flip, creating a more convenient and efficient meeting environment by enabling the use of familiar devices and tools for each user.



Easy sharing Effortless meeting recaps

Following any meeting, users can distribute recaps to all attendees and colleagues, removing the time frustration traditionally associated with handwritten meeting notes. Important conversations and content are stored within the Flip in real-time, easily shareable across mobile and digital channels.



HDMI



USB



Screen Mirroring



WIN10

Versatile connectivity Multiple connection options

Users are empowered by the Flip's versatile connection options. USB, HDMI, NFC and wireless connection capabilities enable optimum collaboration and provide interactive content visibility, notation and sharing. The Flip also offers an optional tray as a more powerful connectivity extension.

Complete management



Seamless streaming with AirPlay 2

With AirPlay 2 built-in, stream or share content from Apple devices straight to the boardroom or classroom TV for effortless presentations. In a variety of business and education environments, play videos, music, photos and more from iPhones, iPads and Macs on Samsung Flip to enhance customer engagement or maximize education time.

- * This service may not be available at the time of purchase of this product and the availability may vary by region.
- * Images simulated for illustration purpose only.
- * Availability of the feature and Graphic User Interface (GUI) may vary by region. Check before use.



6-digit lock Safe, secure content protection


Samsung Flip ensures that confidential meeting information remains in the right hands. Using its reinforced, 6-digit lock system, each in-office team is able to safeguard sensitive content, lock the display and remove critical content from view.




Remote management Comprehensive control options

Users can remotely control critical display settings of the Flip through Samsung's Remote Management solution. This provides the ability to power the display on and off, change the pin code, lock the network or USB port and adjust proxy server settings for enhanced convenience.


* Samsung's Remote Management solution must be purchased separately.




File Security
Set to delete files regularly



WPA2 (802.1x based standard)
Secure wireless connectivity



LDAP (Lightweight Directory Access Protocol)
Connect to an enterprise user database



OTN (Over the Network)
Automatic firmware updates

Advanced convenience and security Convenient, optimized management

Samsung Flip offers improved capabilities, including secure wireless connection, automatic firmware updates and LDAP synchronization when connected to network database for convenient, functional meetings.



Enhanced new design for multiple environments

The new, slim stand for Flip 55-inch offers increased workspace in front of the display and an enhanced hinge assembly structure for increased flexibility and efficient installation. Wheels on the base of the model also enable the display to be easily moved around to any position. The no gap wall mount of the Flip 65-inch removes any unnecessary space between the product and the wall, creating a seamless solution that blends into any environment. The larger size of the 65-inch model also provides a display that can be used for larger meeting rooms. In addition to the new size options, both models have a convenient magnetic pen holder, meaning users do not have to worry about misplacing the pen and can get to work immediately once coming back to the display.

* Some of the design features may vary according to different types of accessories and inches.

Specifications

Model		WM55R	WM65R		
Panel	Diagonal Size	55"	65"		
	Type	60Hz New Edge	60Hz New Edge		
	Resolution	3,840 x 2,160 (Landscape)	3,840 x 2,160 (Landscape)		
	Brightness(Typ.)	350 (without glass), 220 (with glass)	350 (without glass), 220 (with glass)		
	Contrast Ratio(Typ.)	4000:1 (Typ.)(without glass)	4000:1 (Typ.)(without glass)		
	Viewing Angle(H/V)	178/178	178/178		
	Operation Hour	16/7	16/7		
Sound	Response Time(G-to-G)	8ms(Typ.)	8ms(Typ.)		
	Speaker Type	Built in Speaker(10W x 2)	Built in Speaker(10W x 2)		
Connectivity	INPUT	VIDEO	(Basic) HDMI 2, (With Tray) HDMI 3		
		USB	(Basic) USB 1, (With Tray) USB 2, USB External (In/Out)1		
	OUTPUT	Touch Out	(Basic) Touch Out 1 (USB Upstream Type), Audio Out 1		
		Touch Out	(With Tray) Touch Out 2, Audio Out 1, Screen Share(HDMI-Out)1		
	INTERNAL SENSOR	(Basic) Acceleration sensor	(Basic) Acceleration sensor		
EXTERNAL CONTROL	(With Tray) Acceleration sensor, NFC	(With Tray) Acceleration sensor, NFC			
Touch	Type	Touch Input, RS232C, RJ45 (Not for User Control)	Touch Input, RS232C, RJ45 (Not for User Control)		
	# of Drawing	InGlass™	InGlass™		
	Touch Pen Type	Multi writing up to 4	Multi writing up to 4		
	Object Recognition Range	Passive Pen with magnet	Passive Pen with magnet		
Power	Touch Response Time	2mm/ 4mm / 8mm / 50mm, 1024 Level on Brush Mode	2mm/ 4mm / 8mm / 50mm, 1024 Level on Brush Mode		
	Type	6.7ms	6.7ms		
	Power Supply	Type	Internal	Internal	
		Power Supply	AC 100~240V 50/60Hz	AC 100~240V 50/60Hz	
		Power Consumption	Max[W/h]	154	181.5
			Typical[W/h]	80	100
			Rating[W/h]	140	165
Stand-by[W/h]			0.5	0.5	
BTU[W/h]	525.14		618.915		
Mechanical Spec	Dimension (mm)	Set	1297.4(W) x 768.2(H) x 59.9(D)		
		Package	1464(W) x 915(H) x 190(D)		
	Weight (kg)	Set	28.2		
		Package	35.2		
	Color	Light Gray	Light Gray		
	VESA Mount	400 x 400	400 x 400		
	Protection Glass	Yes	Yes		
	Stand Type	Moving Stand, Wallmount	No-Gap Wall Mount		
	Rotation	Available with Flip moving stand (STN-WM55R) (Available with rotation support 3rd party accessory)	N/A with Flip No-Gap Wallmount (WMN-WM65R) (Available with rotation support 3rd party accessory)		
	Power Cable Length	3m	3m		
Operation	Accessory	Cover-Jack	Cover-Jack		
	Operating Temperature	0°C - 40°C	0°C - 40°C		
	Humidity	10~80%	10~80%		
	Key	Flip App	Flip App		
Feature	Special	H/W	Super Clear Coating, Temperature Sensor, Pivot Display, Clock Battery(168hrs Clock Keeping), Built in Speaker(10W x 2), WiFi Module Embedded		
		S/W	Super Clear Coating, Temperature Sensor, Pivot Display, Clock Battery(168hrs Clock Keeping), Built in Speaker(10W x 2), WiFi Module Embedded		
	Platform Processor	Flip S/W	Flip S/W		
	On-Chip Cache Memory	Muse-M (Tizen 5.0)	Muse-M (Tizen 5.0)		
	Clock Speed	CA72 Quad(1.7GHz)	CA72 Quad(1.7GHz)		
	Main Memory Interface	L1 (I/D) : 32KB / 32KB, L2 (Unified) : 1MB	L1 (I/D) : 32KB / 32KB, L2 (Unified) : 1MB		
	Graphics	1.7GHz CPU Quad	1.7GHz CPU Quad		
	Storage	LPDDR4 1.6GHz 64bit 2.5GB	LPDDR4 1.6GHz 64bit 2.5GB		
	IO Ports	2D & 3D Graphics Engine - Up to 1920x1080. 32bpp - Supports OpenGL ES*	2D & 3D Graphics Engine - Up to 1920x1080. 32bpp - Supports OpenGL ES		
	Operating System	8GB(2.65GB Occupied by O/S, 5.35GB Available)	8GB(2.65GB Occupied by O/S, 5.35GB Available)		
Accessories	Included	USB 2.0	USB 2.0		
		Operating System	Samsung Proprietary OS(VDLinux)		
	Optional	Stand	Samsung Proprietary OS(VDLinux)		
		Specialty	Passive Pen(2), Power Cable, Touch Out Cable (USB upstream)		

Wallmount for WM55R		- WMN4277SE	
Mechanical Spec	Dimension (mm)	Set	465(W) x 442(H) x 24.5(D) mm
		Package	510(W) x 280(H) x 90(D) mm
	Weight (kg)	Set	5.5
		Package	6.8
	Color	Black	
VESA Mount	400 X 400		
Rotation	N/A		
Accessories	Included	Installation Guide, Screws	

Wallmount for WM65R		- WMN-WM65R	
Mechanical Spec	Dimension (mm)	Set	520(W) x 280.3(H) x 15.9(D)
		Package	594(W) x 337(H) x 75(D)
	Weight (kg)	Set	1.75
		Package	3.2
	Color	Light Gray	
VESA Mount	400 X 400		
Rotation	N/A		
Accessories	Included	Installation Guide, Screws	
Feature	Special	H/W	No-Gap Spacing, Extra Bracket for strong fixation

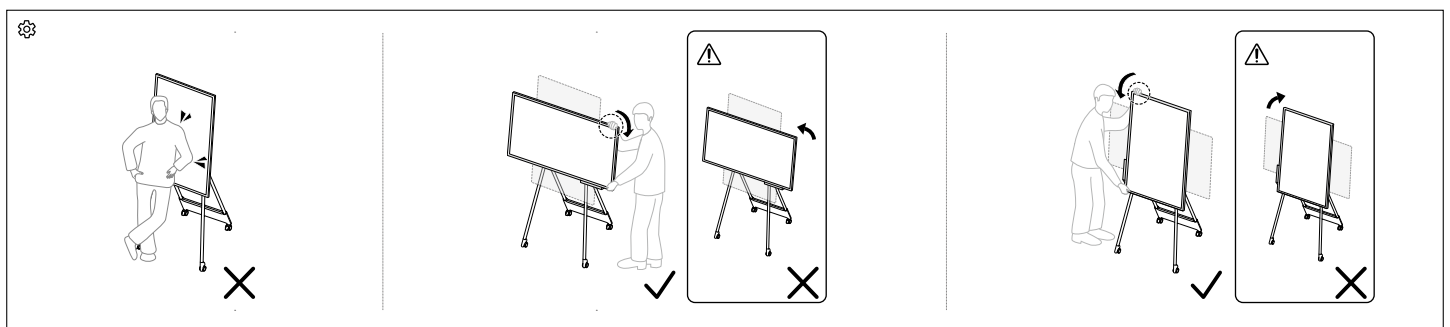
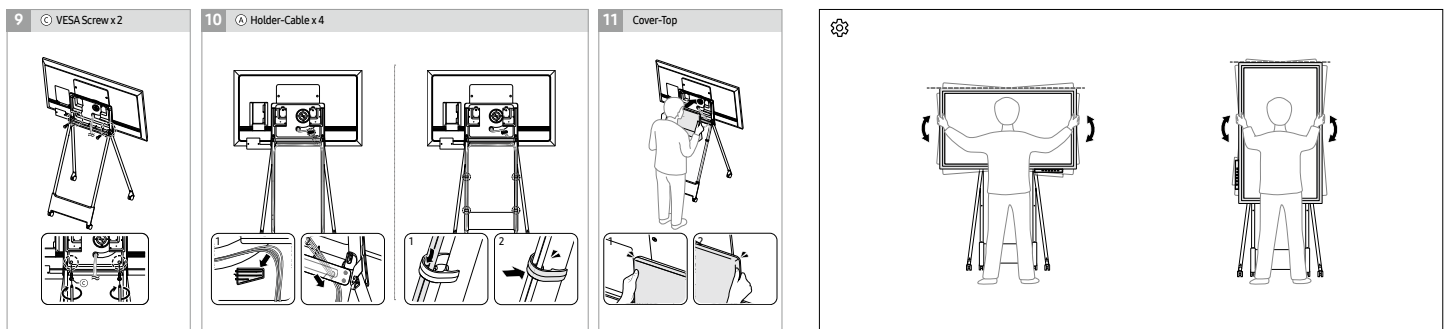
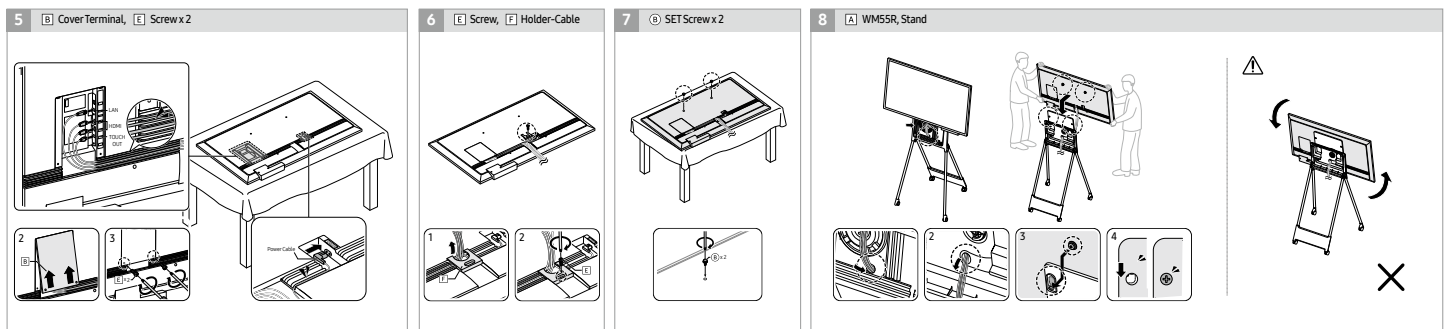
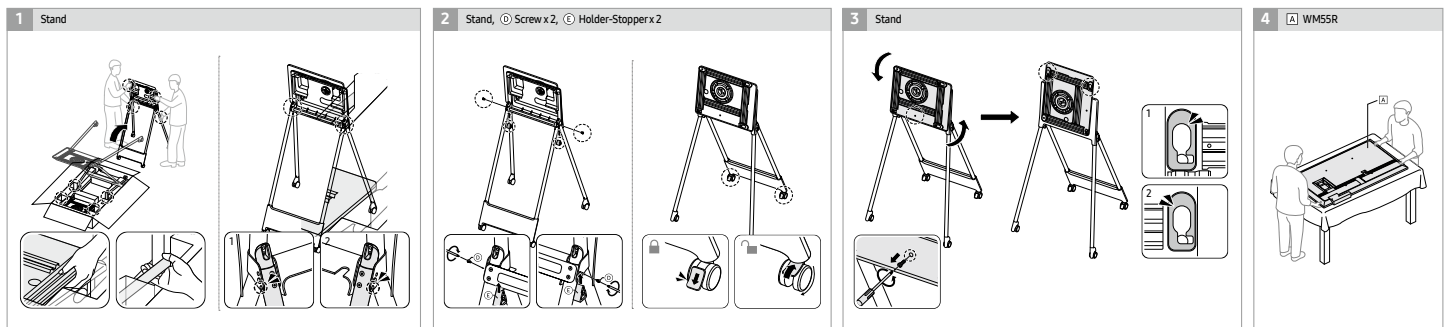
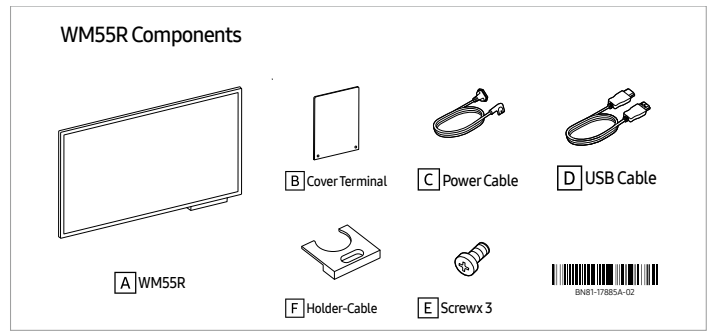
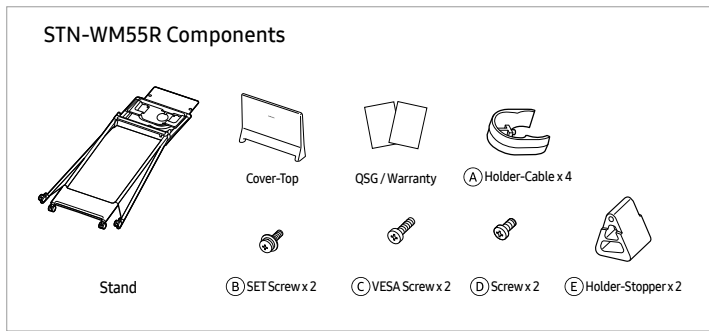
Stand for WM55R		- STN-WM55R	
Mechanical Spec	Dimension (mm)	Set	835(W) x 1631.1(H) x 850.6(D)
		Package	1650(W) x 860(H) x 208(D)
	Weight (kg)	Set	34.5
		Package	41.5
	Color	Light Gray	
VESA Mount	400 X 400		
Rotation	Pivot Supports (90°)		
Accessories	Included	Installation Guide, Screws	
Feature	Special	H/W	Slim Design, No Assembly Required Installation

Tray for Flip 2		- CY-TF65BRC	
Mechanical Spec	Dimension (mm)	Set	269.8(W) x 111.3(H) x 56.9(D)
		Package	294(W) x 136(H) x 69(D)
	Weight (kg)	Set	0.5
Package		0.7	
Connectivity	Extra Connectivity Ports	Color	Light Gray
		USB	USB 1
		USB External (In/Out)1	USB External (In/Out)1
		Touch Out 1	Touch Out 1
		HDMI-In 1	HDMI-In 1
Accessories	Included	HDMI-Out(Screen Share) 1	HDMI-Out(Screen Share) 1
		NFC 1	NFC 1
Feature	Special	H/W	Easy install with dock connector Front facing connector for BYOD usage

* Specifications on the table are flexible and subject to change under certain circumstances.

Installation guide

Quick setup guide - Stand for WM55R



Quick setup guide - Wallmount for WM65R

WMN-WM65R Components

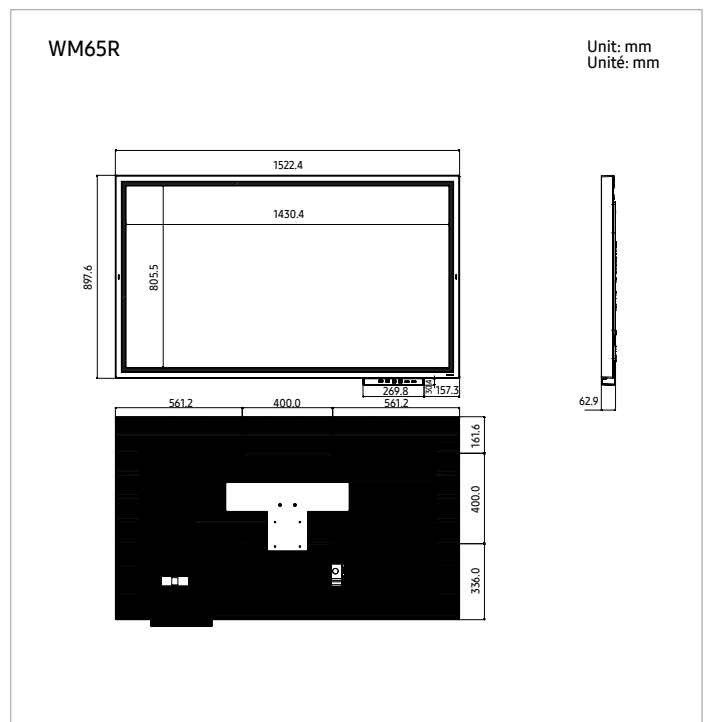
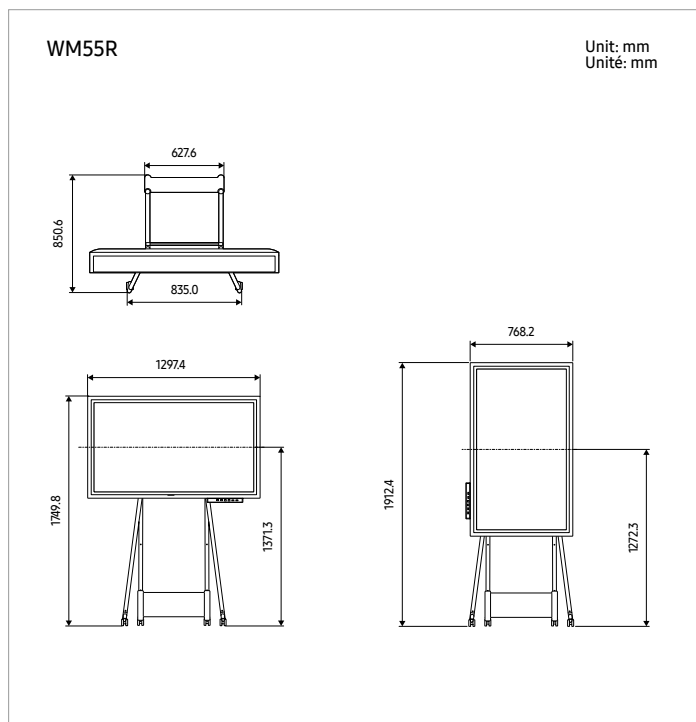
- 1 x 4 (M4 x 1.5)
- 1 x 8 (M4 x 1.5)
- x 6
- x 6
- x 6
- x 4

WM65R Components

- WM65R
- Cover Terminal
- Power Cable
- Touch Cable
- Screw x 3
- Cover Cable

- 1
- 2
- 3
- 4
- 5
- 6
- 7
- 8
- 9
- 10
- 11
- 12
- 13
- 14

Technical drawing



About Samsung Electronics Co., Ltd.

Samsung Electronics Co., Ltd. inspires the world and shapes the future with transformative ideas and technologies. The company is redefining the worlds of TVs, smartphones, wearable devices, tablets, cameras, digital appliances, medical equipment, network systems, and semiconductor and LED solutions. For the latest news, please visit the Samsung Newsroom at news.samsung.com.

Samsung Flip 2

For more information about Samsung Flip 2, visit www.samsung.com/business or www.samsung.com/displaysolutions

Copyright © 2019 Samsung Electronics Co. Ltd. All rights reserved. Samsung is a registered trademark of Samsung Electronics Co. Ltd. Specifications and designs are subject to change without notice. Non-metric weights and measurements are approximate. All data were deemed correct at time of creation. Samsung is not liable for errors or omissions. All brand, product, service names and logos are trademarks and/or registered trademarks of their respective owners and are hereby recognized and acknowledged.

2019-09



244 Soi Pattanakarn 53, Pattanakarn, Suanluang, Bangkok 10250 Thailand
Tel : (66) 0-2322-9535, 0-2722-4040 Fax : (66) 0-2322-7990
www.cps.co.th • www.facebook.com/cps.co.th



SAMSUNG