

**DS-2TD2617B-6/PA**  
**Thermographic Bullet Body Temperature Measurement Camera**

DeepinView<sup>series</sup>



Hikvision DS-2TD2617B Thermographic Bullet Body Temperature Measurement Camera is able to measure object's temperature at a high accuracy in real time. It is capable to discover and track people with higher body temperature among the crowded public area, it can be widely used in places such as customs, airport, school and hospital for inspection and quarantine.

**Key Feature**

- 160 × 120 resolution in thermal channel, high sensitivity sensor.
- Temperature range: 30°C to 45°C; temperature accuracy: ±0.5 °C
- Reliable temperature exception alarm function
- 3D DNR, image detail enhancement
- Audio alarm

## Specification

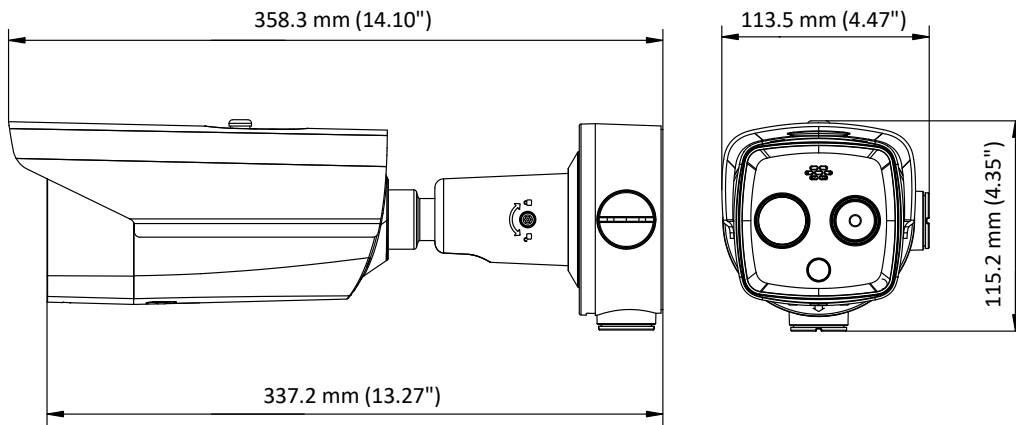
Thermal Module	
Image Sensor	Vanadium Oxide Uncooled Focal Plane Arrays
Max. Resolution	160 × 120 (the resolution of output image is 320 × 240)
Pixel Interval	17μm
Response Waveband	8 μm to 14 μm
NETD (Noise Equivalent Temperature Difference)	≤ 40 mk (@25 °C, F# = 1.1)
Lens (Focal Length)	6.2 mm
IFOV	2.74 mrad
Field of View	25° × 18.7° (H × V)
Min. Focusing Distance	0.6 m
Aperture	F 1.1
Optical Module	
Max. Image Resolution	2688 × 1520
Image Sensor	1/2.7" Progressive Scan CMOS
Min. Illumination	Color: 0.0089 Lux @(F1.6, AGC ON), B/W: 0.0018 Lux @(F1.6, AGC ON)
Shutter Speed	1 s to 1/100,000 s
Lens (Focal Length)	8 mm
Field of View	39.42° × 22.14° (H × V)
WDR	120 dB
Day & Night	IR cut filter with auto switch
Image Function	
Bi-spectrum Image Fusion	Fusion view of thermal view and overlaid details of the optical channel
Picture in Picture	Combines details of thermal and optical image PIP, overlay thermal image on optical image
Smart Function	
Temperature Measurement	3 temperature measurement rule types, 21 rules in total (10 points, 10 areas, and 1 line).
Temperature Range	30°C to +45 °C
Temperature Accuracy	±0.5°C
Infrared	
IR Distance	Up to 40 m
IR Intensity and Angle	Automatically adjusted
Network	
Main Stream	Visible Light: 50Hz: 25fps (2688 × 1520), 25fps (1920 × 1080), 25fps (1280 × 720) Visible Light: 60Hz: 30fps (2688 × 1520), 30fps (1920 × 1080), 30fps (1280 × 720) Thermal: 1280 × 720, 704 × 576, 640 × 480, 352 × 288, 320 × 240

Sub-stream	Visible Light: 50Hz: 25fps (704 × 576), 25fps (352 × 288), 25fps (176 × 144) Visible Light: 60Hz: 30fps (704 × 480), 30fps (352 × 240), 30fps (176 × 120) Thermal: 704 × 576, 352 × 288, 320 × 240
Video Compression	H.265/H.264/MJPEG
Audio Compression	G.711u/G.711a/G.722.1/MP2L2/G.726/PCM
Protocols	IPv4/IPv6, HTTP, HTTPS, 802.1x, Qos, FTP, SMTP, UPnP, SNMP, DNS, DDNS, NTP, RTSP, RTCP, RTP, TCP, UDP, IGMP, ICMP, DHCP, PPPoE
Simultaneous Live View	Up to 20
User/Host Level	Up to 32 users, 3 levels: Administrator, Operator, User
Security Measures	User authentication (ID and PW), MAC address binding, HTTPS encryption, IEEE 802.1x access control, IP address filtering
<b>Integration</b>	
Alarm Input	2-ch inputs (0-5 VDC)
Alarm Output	2-ch relay outputs, alarm response actions configurable
Alarm Action	SD recording/relay output/smart capture/FTP upload/email linkage/audio alarm/white light alarm
Audio Input	1, 3.5 mm Mic in/Line in interface. Line input: 2 to 2.4 V [p-p], output impedance: 1 K $\Omega$ $\pm$ 10%
Audio Output	Linear level, impedance: 600 $\Omega$
Reset	1, Reset Button
Communication Interface	1, RJ45 10M/100M self-adaptive Ethernet interface. 1, RS-485 interface
SD Memory Card	Built-in micro SD card slot, support Micro SD/SDHC/SDXC card (up to 128 GB) Supports manual/alarm recording
Application Programming	Open-ended API, support ISAPI, HIKVISION SDK and third-party management platform
Client	iVMS-4200, Hik-Connect
Web Browser	IE9+, Chrome 31-44, Firefox 30-51, Safari 5.02+(mac)
<b>General</b>	
Menu language	32 languages English, Russian, Estonian, Bulgarian, Hungarian, Greek, German, Italian, Czech, Slovak, French, Polish, Dutch, Portuguese, Spanish, Romanian, Danish, Swedish, Norwegian, Finnish, Croatian, Slovenian, Serbian, Turkish, Korean, Traditional Chinese, Thai, Vietnamese, Japanese, Latvian, Lithuanian, Portuguese (Brazil)
Power	12 VDC $\pm$ 20%, two-core terminal block PoE (802.3af, class 3)
Power Consumption	12 VDC $\pm$ 20%: 0.65 A, max. 7.5 W PoE (802.3af, class 3): 42.5 V to 57 V, 0.14 A to 0.22 A, max. 8 W
Working Temperature/Humidity	Temperature: 10 $^{\circ}$ C to 35 $^{\circ}$ C (Indoor and windless environment use only) Humidity: 95% or less
Protection Level	IP66 Standard TVS 6000V lightning protection, surge protection, voltage transient protection
Dimensions	358.3 mm $\times$ 113.5 mm $\times$ 115.2 mm (14.10" $\times$ 4.47" $\times$ 4.53")
Weight	Approx. 1.76 kg (3.88 lb)

## Available Model

DS-2TD2617B-6/PA

## Dimension



**Computer Peripheral  
and Supplies Ltd.**

244 Soi Pattanakarn 53, Pattanakarn, Suanluang, Bangkok 10250 Thailand  
Tel : (66) 0-2322-9535, 0-2722-4040 Fax : (66) 0-2322-7990  
[www.cps.co.th](http://www.cps.co.th) • [www.facebook.com/cps.co.th](https://www.facebook.com/cps.co.th)

