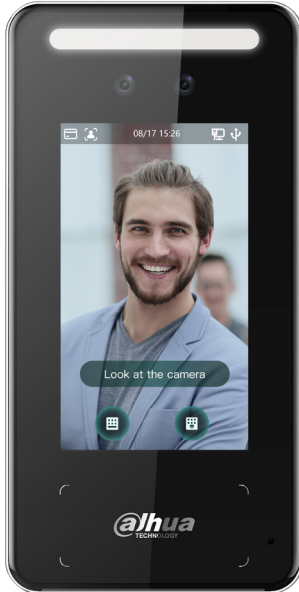


DHI-ASI6213J-MW

Face Recognition Access Controller



- 4.3-inch LCD touch screen; resolution 480 × 272
- 2MP wide-angle dual lens camera; support DWDR, white light fill light and IR fill light
- Support face, card, password unlock and unlock through their combinations; support unlock by period
- User data can be stored at the access controller; can hold 6000 face images and work without network
- Face-camera distance: 0.3 m-1.5 m
- Face verification accuracy 99.5%; face comparison speed 0.3s per person; low false recognition rate; support liveness detection

Technical Specification

System

Main Processor	Embedded Processor
Internet Protocol	IPv4; RTSP; RTP; TCP; UDP; P2P
OSDP Protocol	Support
Interoperability	CGI
SDK	Support

Basic

Display	4.3 inch TFT screen
Screen Type	Capacitive touch screen
Screen Resolution	480 × 272
Camera	2MP CMOS high definition camera
WDR	DWDR
Light Compensation	Auto white light Auto IR light
Voice Prompt	Support
Casing	PC Metal rear case

Function

Unlock Mode	Card/Password/Face unlock and unlock through their combinations
-------------	---

Card Reading Type	IC card
Period List	128
Holiday Period	128
First-Card Unlock	Support
Remote Verification	Support
Peripheral Card Reader	1 RS-485 1 Wiegand
Multiple User Unlock	Support
Real-Time Surveillance	Support
Web Configuration	Support

Performance

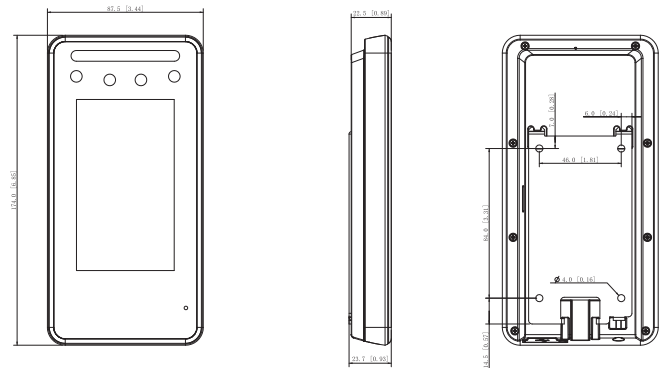
Face Recognition Height	0.9 m-2.4 m
Face Recognition Distance	0.3 m-1.5 m
Face Verification Accuracy	99.50%
Face Recognition Time	0.3 s

Capacity

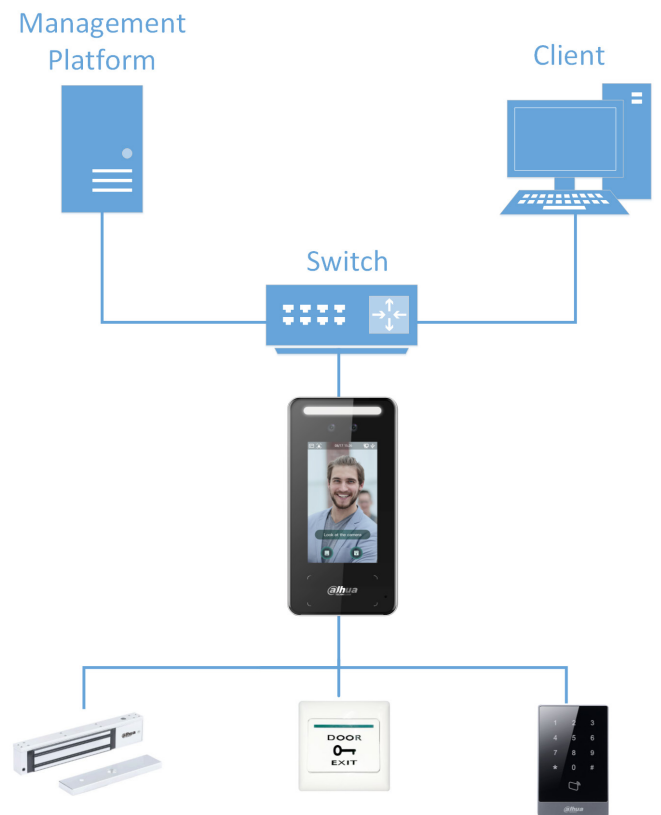
User Capacity	6,000
Face Image Capacity	6,000
Card Capacity	6,000

Password Capacity	6,000
Record Capacity	150,000
Port	
RS-485	1
Wiegand	1
USB	1 × USB2.0 port
Network	1 × RJ-45 10/100 Mbps self-adaption
Alarm Input	1
Alarm Linkage	Support
Exit Button	1
Door Status Detection	1
Lock Control	1
Alarm	
Anti-Passback	Support
Tamper	Support
Duress	Support
Door Sensor Timeout	Support
Intrusion	Support
Illegal Card Exceeding Threshold	Support
General	
Power Supply Mode	12V DC, 2A
Protection Grade	IP65 (Apply silica gel to gaps between the device and the wall. Liquid sodium silicate is recommended. For details, see the quick startguide.)
Power Consumption	≤ 24W
Product Dimensions	174.0 mm × 87.5 mm × 22.5 mm (6.85" × 3.44" × 0.88") (H × W × D)
Working Temperature	-30°C to 60°C (-22°F to 140°F)
Working Humidity	5%RH-95%RH (non-condensing)
Working Environment	Indoor Outdoor
Gross Weight	0.78 kg (1.72 lb)
Accessory	Bracket (provided)
Installation Method	Surface mount
Certification	CE FCC

Dimensions (mm[inch])



Application



Rev 001.001 © 2020 Dahua. All rights reserved. Design and specifications are subject to change without notice. Pictures in the document are for reference only, and the actual product shall prevail.