



[AT20 Series]

The AT20 Series of compact, lightweight scanners offers high-speed scanning, user-friendly operation and high durability, yet an affordable price. Advanced Scan Plus™ technology gives the AT20 Series twice the scanning speed of previous models, while the latest algorithms allow scanning of difficult-to-read barcodes. The scanners' shock-absorbing construction enables them to withstand rugged usage.

HIGH-PERFORMANCE SCANNING

- ▣ Advanced Scan Plus™ technology gives the AT20B twice the scanning speed of previous models, for increased operator efficiency
- ▣ AT20/21Q scans 1-D and 2-D codes; AT20/21B scans 1-D codes
- ▣ Trouble-free scanning of wide barcodes such as the ITF-14, GS1-128 (EAN-128) codes used for utility and medical bills, and Code 39 on EIAJ labels
- ▣ Super-deep scanning field allows smooth close-up and distant operation, regardless of scanner position
- ▣ Using the latest algorithms, the AT20 Series can scan poorly printed or otherwise difficult-to-read barcodes

CONFIGURATION SOFTWARE

- ▣ Simplifies implementation
- ▣ Either upload all parameters at once in batch operation from a PC via COM port, or output batch-configuration barcode for scanning by multiple units

DURABILITY

- ▣ Shock-absorbing construction that allows it to withstand being dropped onto a concrete floor 6 times from a height of 1.8 meters or 60 times from 1.5 meters.
- ▣ IP42 dust- and water-resistant protection reduces risk of damage from environmental conditions
- ▣ Connector-cable locking mechanism prevents damage to the connector or cable
- ▣ Backed by a 5-year warranty on the scanners' housing

USER-FRIENDLY FEATURES

- ▣ Compact, lightweight design reduces operator fatigue
- ▣ Comfortable, easy-to-grip handle
- ▣ Easy-to-push trigger
- ▣ LED guide-light improves ease of targeting, even when scanning multilevel or very small barcodes

ADVANCED FUNCTIONS

- ▣ Auto-sense mode allows scanner to be placed on stand for hands-free operation
- ▣ Data-verification feature allows verification to be done with a single scanner
- ▣ Data-editing feature allow simple programming (ADF scripting) for data truncating, sorting and converting
- ▣ Command-control feature enables scanner to be controlled by a PC, for fully automated operation
- ▣ Bluetooth® wireless communication (AT27Q-SB)
- ▣ High density 1-D and 2-D barcode scanning (AT21Q-HM)

ACCESSORIES

- ▣ Desktop mount
- ▣ Hands-free stand
- ▣ RS-232C cable (power from AC adapter)
- ▣ RS-232C cable (power from host unit)

TECHNICAL DATA

Model		AT20B/21-SM	AT20Q/21-SM	AT21Q-HM	AT27Q-SB	
Scanner	Scanning System	Advanced Scan Plus (CCD)		Area Sensor		
	Readable code	2-D	N/A		QR Code, Micro QR Code, SQRC, iQR, DataMatrix (ECC200), PDF417, MicroPDF417, Maxi code, Aztec, GS1 DataBar Composite (EAN.UCC Composite), BQR	
		1-D	EAN-13/8 (JAN-13/8), UPC-A/E, UPC/EAN (with attached add-on codes), Interleaved 2 of 5 (ITF), Codabar (NW-7), Code 39, Code 93, Code 128, GS1-128 (EAN-128), RSS (GS1 DataBar)		EAN-13/8 (JAN-13/8), UPC-A/E, UPC/EAN (with attached add-on codes), Interleaved 2 of 5 (ITF), Standard 2 of 5 (STF), Codabar (NW-7), Code 39, Code 93, Code 128, GS1-128 (EAN-128), RSS (GS1 DataBar)	
	Resolution	2-D	N/A	0.167mm	0.125mm	0.167mm
		1-D	0.125 mm		0.10 mm	0.125 mm
	Mobile QR	N/A	Reads cell phone codes (with backlight lit)		-	
	Marker	LED			Area guide marker	
	PCS value	More than 0.30				
	Skew angle	N/A	360°			
	Tilt/Elevation angle	±50°				
	Image Capture	N/A	BMP, JPEG output, thumbnail view			
Reading Confirmation	3-color LED (blue/green/red), buzzer (with 3-step volume and tone control)			4-color LED (blue/green/red/orange), buzzer (with 3-step volume and tone control)		
Communication I/F	I/F	RS-232C ³ USB COM, HID ^{1,4}		Bluetooth Ver.2.1 + EDR-based class 2		
	Connector type	9-pin D-Sub ³ USB Type A ⁴		-		
	Cable	2 m straight cable		-		
Power	Power supply	AC adapter or supplied by host ³			Exclusive battery (SB-28)	
		Supplied by host ⁴				
Environment Operation Conditions	Protection level	IP42 (Dust-and drip-resistant)			IP54	
	Drop resistance ²	2.0 m drop; 1.5 m drop 60 times; 0.2 m drop 100,000 times			1.8 m drop on each of 6 sides	
	Humidity	10 to 90% RH (without dew)				
	Temperature	23 to 122°F (-5 to 50°C)				
	Ambient Light	0 to 10,000 lx (fluorescent light)				
Weight (excl. cable)		Approx. 105 g	Approx. 110 g		Approx. 200 g	

1. Two interfaces supported : USB keyboard and USB-COM.

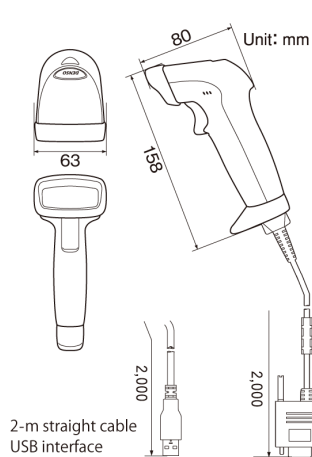
2. Test values only (not guaranteed).

3. For AT20 (B&Q)/21-SM(R) and AT21Q-HM(R) models.

4. For AT20 (B&Q)/21-SM(U) and AT21Q-HM(U) models.

Note: AT20 color is white; AT21 is black

DIMENSIONS



CDG Computer Peripheral and Supplies Ltd.

244 Soi Pattanakarn 53, Pattanakarn, Suanluang, Bangkok 10250 Thailand

Tel : (66) 0-2322-9535, 0-2722-4040 Fax : (66) 0-2322-7990

www.cps.co.th • www.facebook.com/cps.co.th

