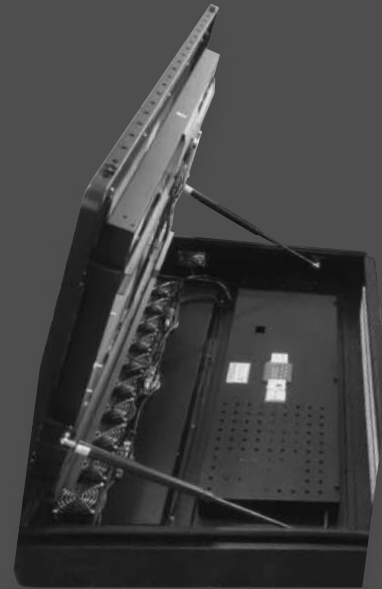


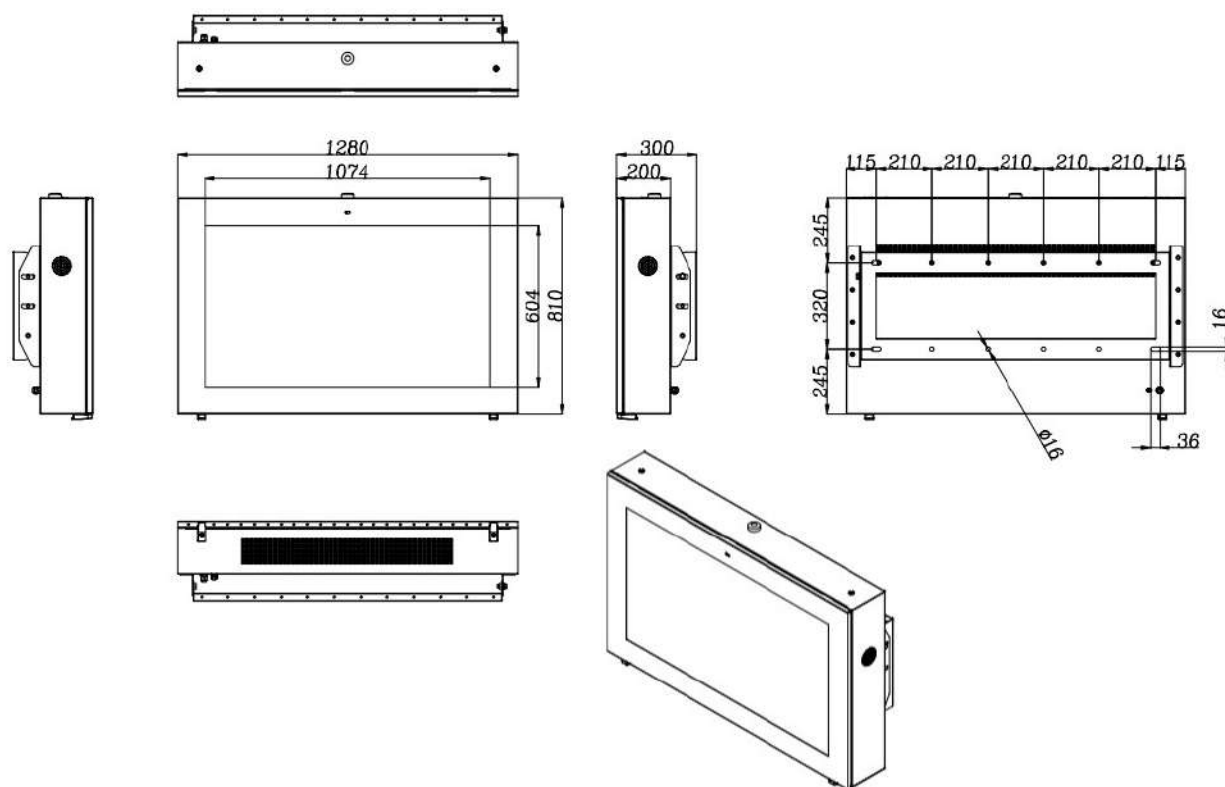
HEPA Dust Filter



Specification	
Panel Size	49" TFT-LCD
Dimension (not include backet)	1280x810x200
Display Area (mm)	1074 x 604
Maximum Resolution	1920 x 1080
Display Color	16.7 M
Pexel Pitch (mm)	0.4845 x 0.4845
Brightness (nits)	2000
Contrast	2000:1
Visual Angle	178° H / 178° V
Response Time (ms)	6
Life (hrs)	>60,000
Ventilation	Multi fans 7x24H with HEPA filter
Safety	Power Circuit Breaker/Temperature alarm
Ingression Protection	IP65 Full Outdoor
OSD Display	
Menu Language	English

Input and Output	
Composite VDO input	Optional
Y,Pb,Pr/Y,Cb,Cr input	Optional
S-Video	Optional
HDMI	Optional
Composite VDO loop output	Optional
L/R audio input	Optional
L/R audio output	Optional
Speaker	2x5W (90)
Video	
Color system	PAL/NTSC/SECAM
Remote Controller	Special
Ads Input Interface (Optional)	
USB	1 (For 3G WiFi)
RJ45	Network Interface
CF	1 (Built-in 4G CF card)





Built-in CPU	
Main Chipset	Rockchip
CPU	RK3368 Octacore 1.5GHz
3G	Optional
Memory	2G DDRIII (max 2G)
Nand Flash	16GB (Support SD card and hard disk extended max to 16G)
WiFi	Yes
Wired Network	RJ45
Operation System	Android II

Power	
Power Supply	AC100~240V 50/60Hz
Max Power Consumption	≤3600W
Standby Power Consumption	<5W

Temperature	
Working Temperature	0c~50c
Storage Temperature	-20c~60c
Working Humidity	85%
Storage Humidity	85%

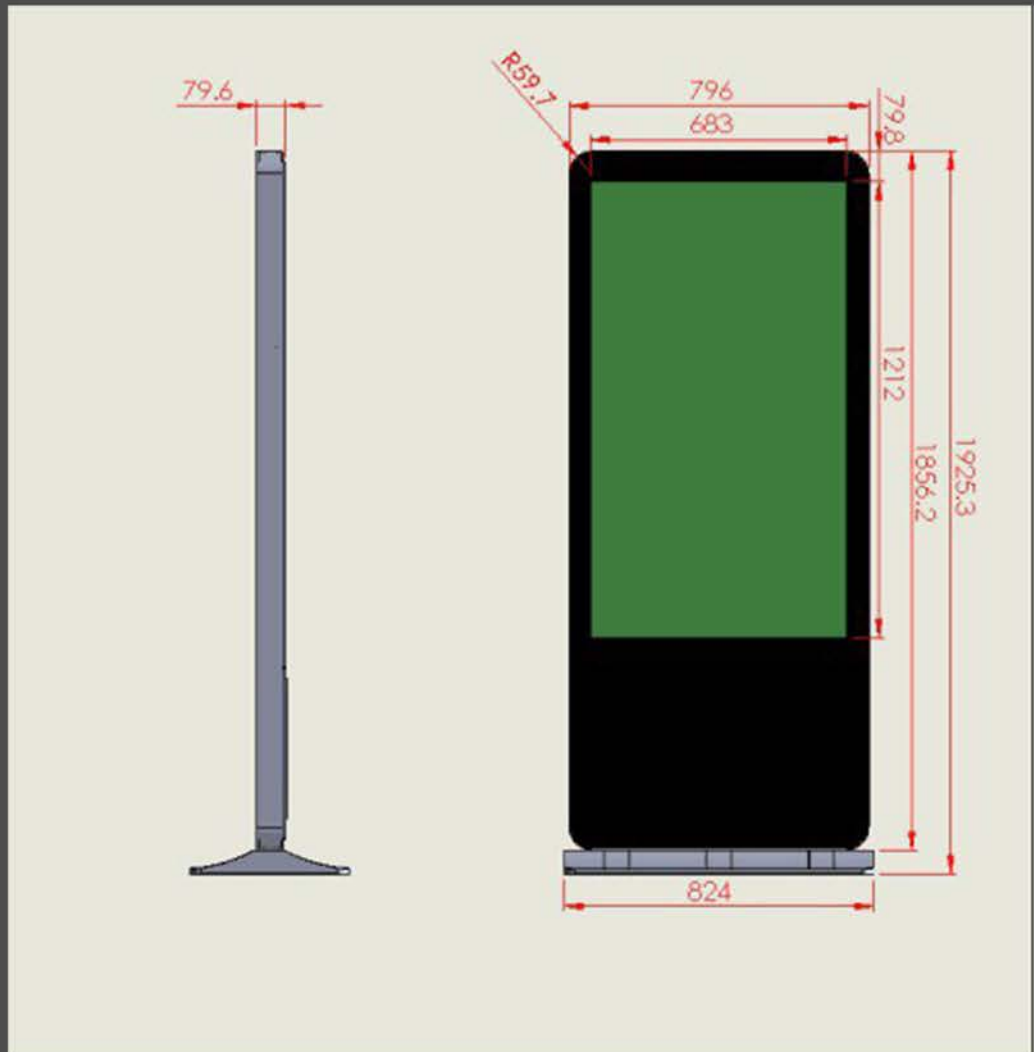
Appearance	
Panel color/appearance	White/Black
Panel Material	Metal Case SPCC
Wall-mounting	Floor-standing

Detailed Function	
Video Format	MPEG1/MPEG2/MPEG4/DivX/ASP/WMV/AVI
Audio Format	Wave/MP3/WMA/AAC
Image Format	JPEG/BMP/TIFF/PNG/GIF
Image Resolution	480P/720P/1080P
Split Screen Display	Editable
Running Subtitle	Location, Word size, color and backlight are editable



CALKiN STA31055

Digital Signage Stand 55" screen
Android OCTA Core



Specification

Dimension	1925.3 x 796 x 79.6 mm.
Aspect Ratio	16:9
Resolution	1920 x 1080 Full HD
Brightness/Contrast	450 cd/m ² / 5000 : 1
Front Glass	Tempered Glass
View Angle	178°H, 178°P
Working Temp/humidity	-0°c to +50°c / 20% to 80%
WI FI	802.11b/g (WEP/WPA/WPA2), built-in with Antenna
Support	Audio Stereo mini Jack RCA(L/R), Built-in 10w. Speakers
Mother Board	RK3368 Coretex-A56 OCTA Core 1.6 Ghz DDR-3 1 GB, 8GB NAND Flash Android OS 5

