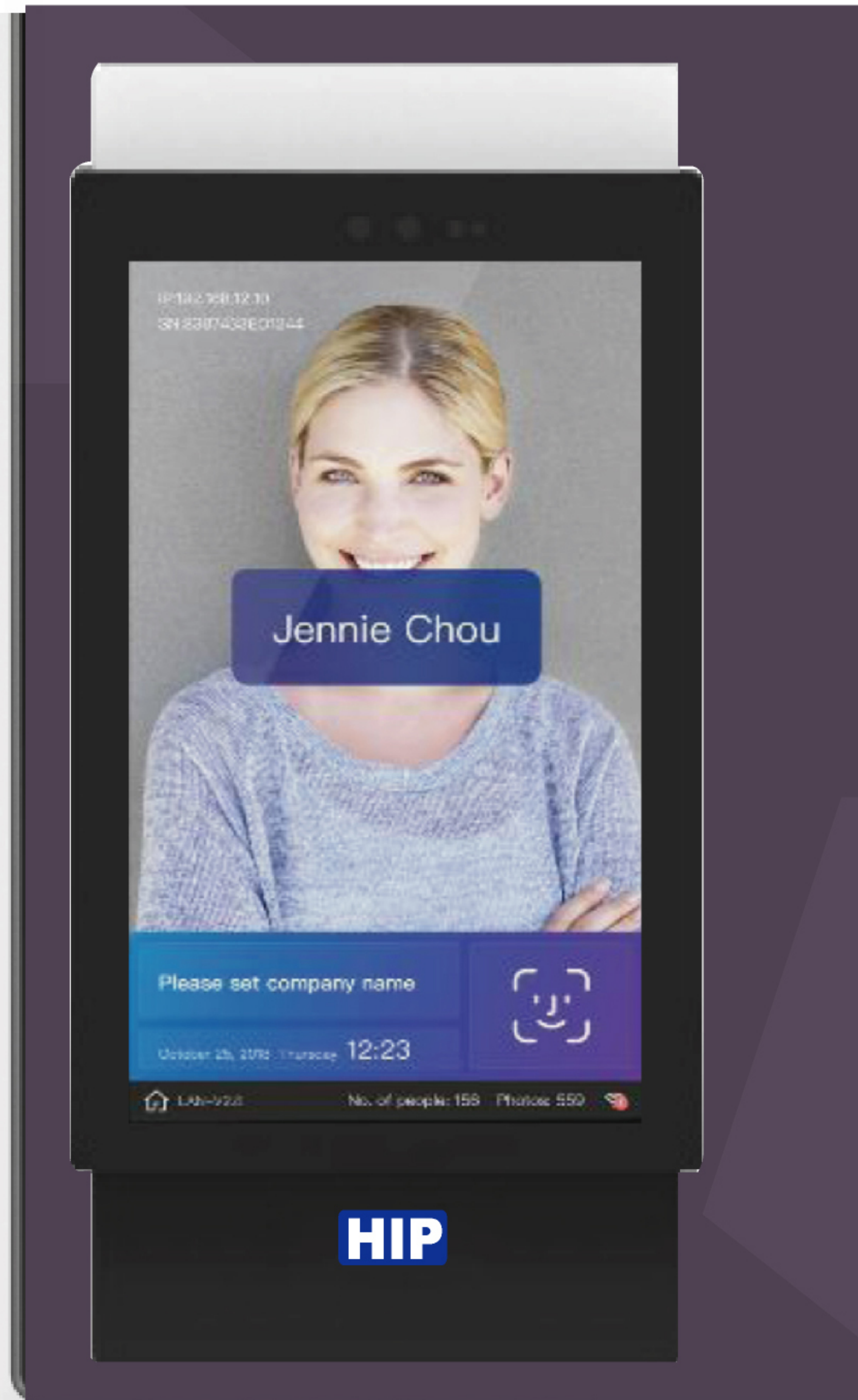




NEW



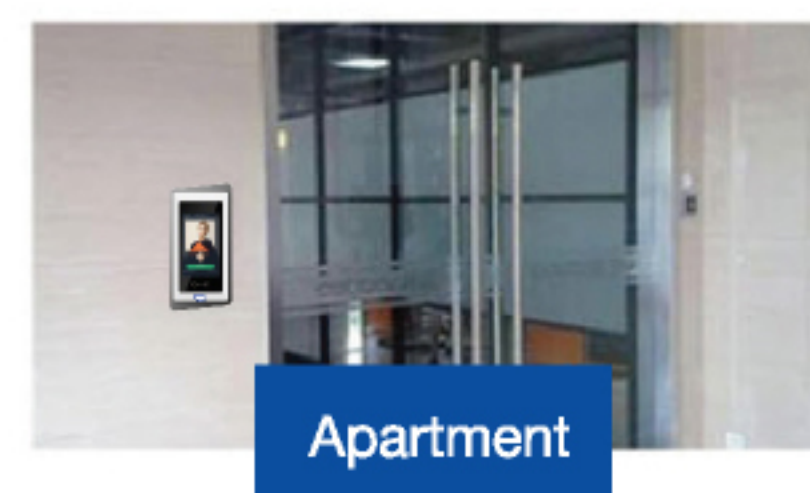
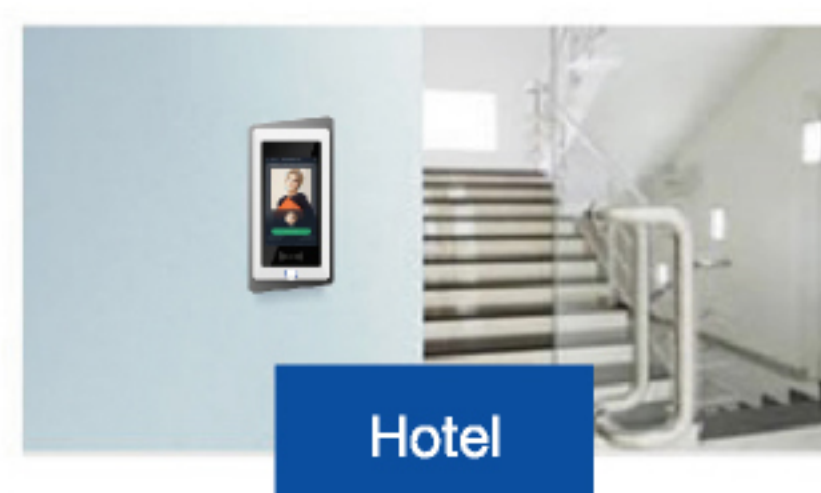
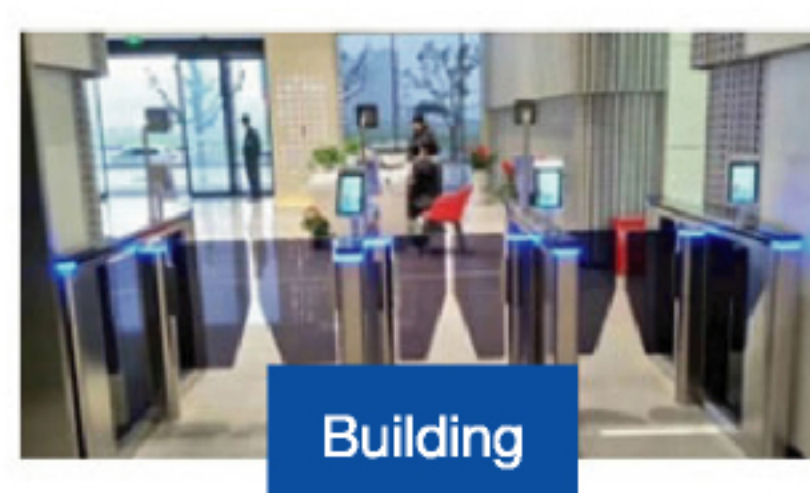
AI Face Attendance and Access Control

Artificial Intelligence based facial biometric devices can uniquely identify a person by analysing patterns based on the person's facial texture, shape and movement.



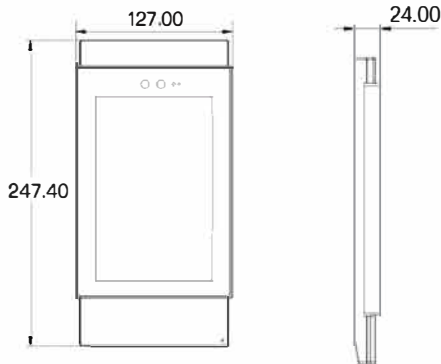
Access control AI Dual Cameras Live detection Check records Touch Screen

Suitable for office, hotel, access gate, office building, school, shopping mall, shop, Public place



ดีไซน์สำหรับติดตั้งแนบผนัง
 หน้าจอสัมผัส LCD Full-view IPS 7"
 ระบบปฏิบัติการ Linux
 อัตราความแม่นยำในการรู้จำคือ 99.99%
 รองรับฟังก์ชัน Access Control
 ความเร็วในการตรวจสอบใบหน้าน้อยกว่า 1 วินาที
 รองรับภาพใบหน้า 50,000 ใบหน้า
 มี Lighting LED สำหรับส่องใบหน้า
 รองรับการเชื่อมต่อ TCP/IP, RS-232, WiFi, WG output
 Protection Level IP42

Dimension (mm):



ALGORITHM & TECHNOLOGY

Accurate Algorithm

Uni-Ubi possesses the solid strength of face recognition algorithm. Early in Year 2015, Uni-Ubi has won the 2nd place in FDDB (Face Detection Data Set and Benchmark) is the most authoritative face detection platform in the world and the 3rd place in LFW (Labeled Faces in the Wild) is the international authority as the public test ranking list on face detection. Recently, Uni-Ubi has performed continuous optimization on the algorithm deep learning mode, while the recognition accuracy has reached 99.99% and recognition speed less than 0.1s.

Multi-ethnicities Recognition

Aims at various kinds of ethnicities, such as the African, the White, the Asian and so on. Uni-Ubi has carried out large amount of data training on face images, so as to obtain the powerful face algorithm model, of which the recognition deviation is less than 2%. This makes the face recognition technology free from being troubled by different skins and guarantee the recognition accuracy up to 99.99%.

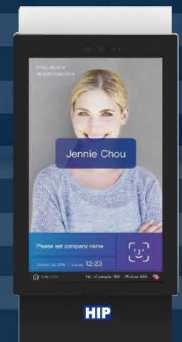
Live Detection

Under the scenario of verifying ID, this function will help to confirm the real physiological characteristics of the recognized object, to check if he is a "real person", meanwhile, fraud methods such as photo, video and 3D mould can be detected effectively, which guarantee the high business security. Besides the Dual-camera Live Detection technology, Uni-Ubi also released the algorithm for Single-camera Live Detection technology, to comprehensively improve the cost performance of Uface single camera product series.



Technical Specifications

| | | |
|--------------------------------|---------|--|
| Model | FACE AI | CiF30 |
| Display | | 7" IPS full-view LCD screen (Touch screen) |
| Display Resolution | | 1024 x 600 |
| Recognition accuracy | | 99.99% |
| Recognition time | | <= 1 Seconds |
| Face Capacity | | 50,000 Face Photo |
| Card reader | | Standard MIFARE Card |
| Record | | 1 million pieces of recognition records |
| Operating system | | Linux |
| CPU | | 2 core Cortex-A7, clocked at 900MHZ |
| Storage capacity | | 512M of memory, 8GB of storage |
| Serial communication interface | | RS-232 |
| Relay output | | Open door signal output |
| Wiegand | | Wiegand Output |
| Network interface | | Ethernet port / WiFi |
| USB interface | | USB |
| Tamper switch | | Support |
| Protection level | | IP42 |
| Power supply | | DC 12 V/2A |
| Operating temperature | | -10°C ~ 50°C |
| Working humidity | | 10%~90% |
| Power consumption | | Max. 15 W |
| Equipment size | | 247.4 mm x 127 mm x 24 mm |



Suitable for office, hotel, access gate, office building, school, shopping mall, shop, Public place

