



B307 (A)



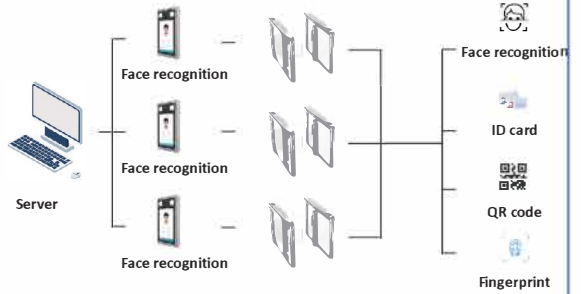
- Display screen: 7.0 inches
- Support live detection
- Wide Dynamic Camera
- Support 5000/10000 face database
- Recognition speed: 250ms  
Recognition rate  $\geq 97\%$
- Support Wigan signal output
- Communication mode: TCP/IP

Face recognition device (panel)/DF101

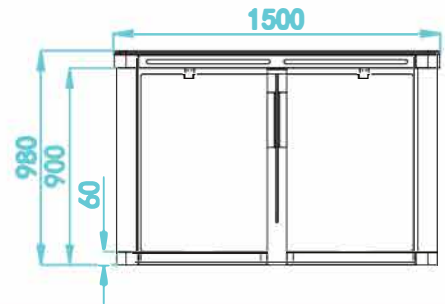
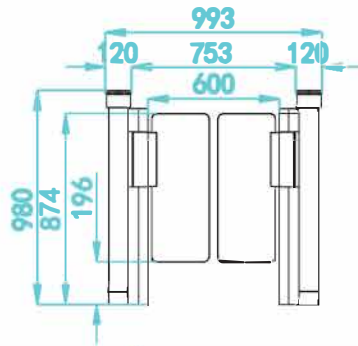
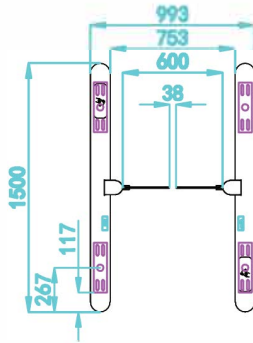


- Display screen: 5.0 inches
- Support live detection
- Support 5000/10000 face database
- Recognition speed: 250ms  
Recognition rate  $\geq 97\%$
- Support Wigan signal output
- Communication mode: TCP/IP

Face recognition device (column)/DF102



## Product Size



## Parameters

Material	1.5mm SUS304
Size	1500×120×980mm
Sensor pairs	6
Pass rate	35p/m
Pass width	600~900mm
Input voltage	100V~240V
Motor type	24V DC Brushless Servo Motor
Environment	-20~+70°C
Motor power	120W
Input signal	Dry contact/RS485

## Functions & Features

- Reasonable and reliable design, low noise, smooth operation and long service life;
- With function of opening doors automatically under power-off state to meet the need of fire-fighting passage;
- With functions of anti-tail, anti-reverse pass and so on;
- Card can be set "with memory" or "without memory" functions;
- With automatic reset function, i.e. after having access to the gate, the gate automatically restores to the locked state if not pass within the time set;
- With infrared anti-clip function (anti-clip when gate is open or running);
- Compatible with IC, ID card, scanning and face recognition, etc.
- Two modes of operation are available: open or closed.
- Various working modes are available, including two-way card reading and one-way card reading, etc.

