

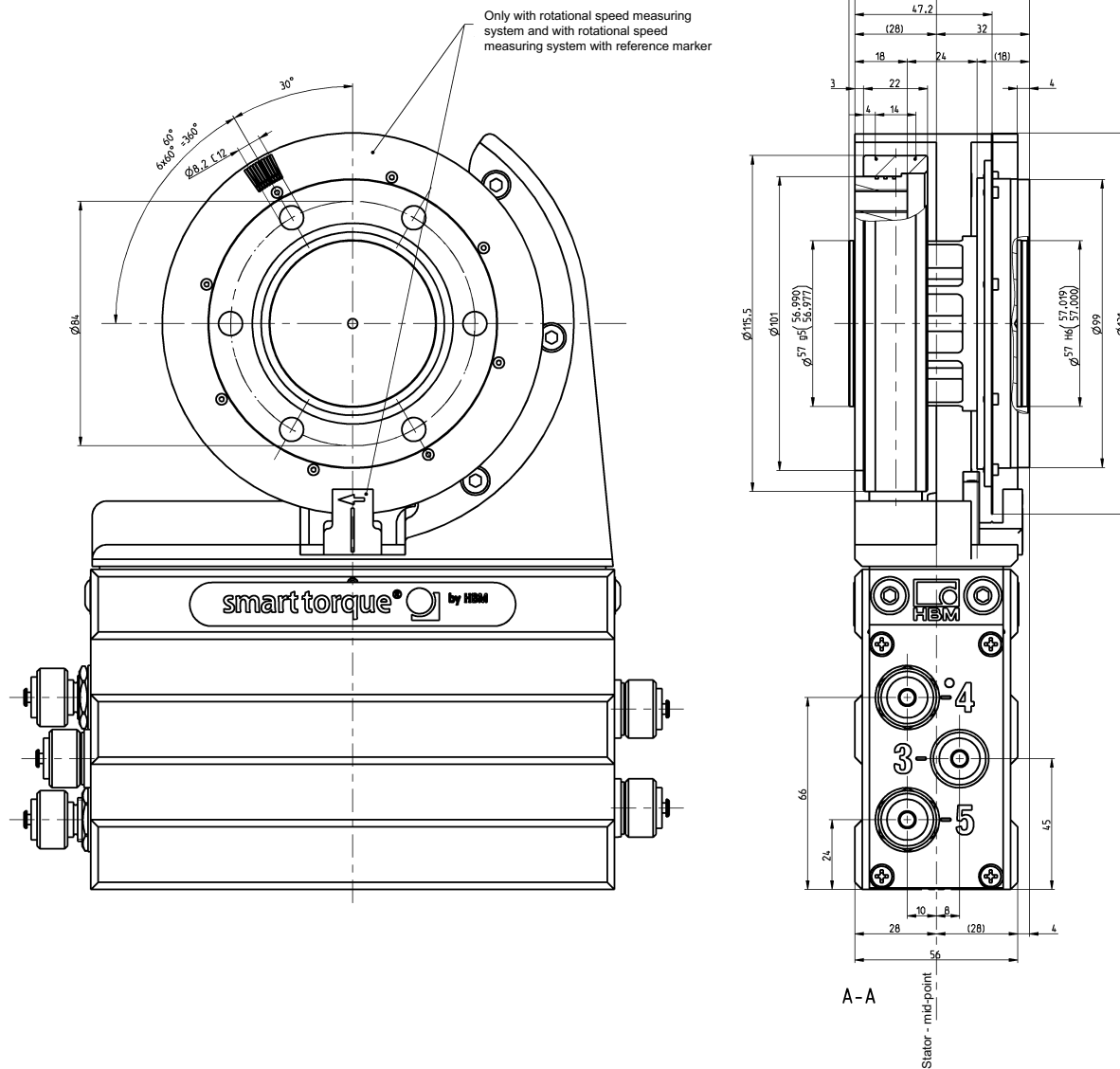


T12HP

Digital Torque Transducer

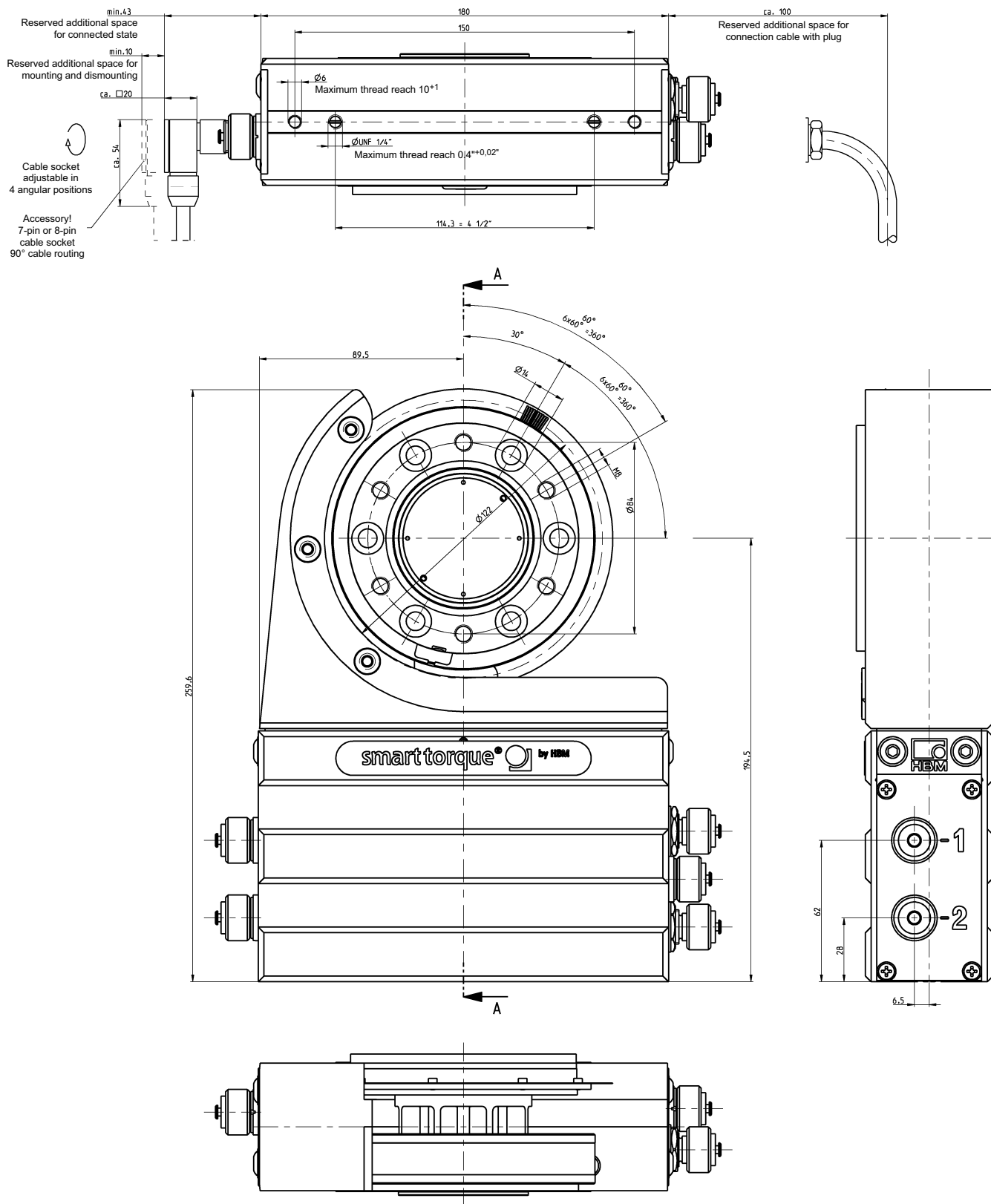
Complete measurement flange, T12HP/100 Nm - 200 Nm (Drawing 1 of 2)

Dimensions in mm (1 mm = 0.03937 inches)



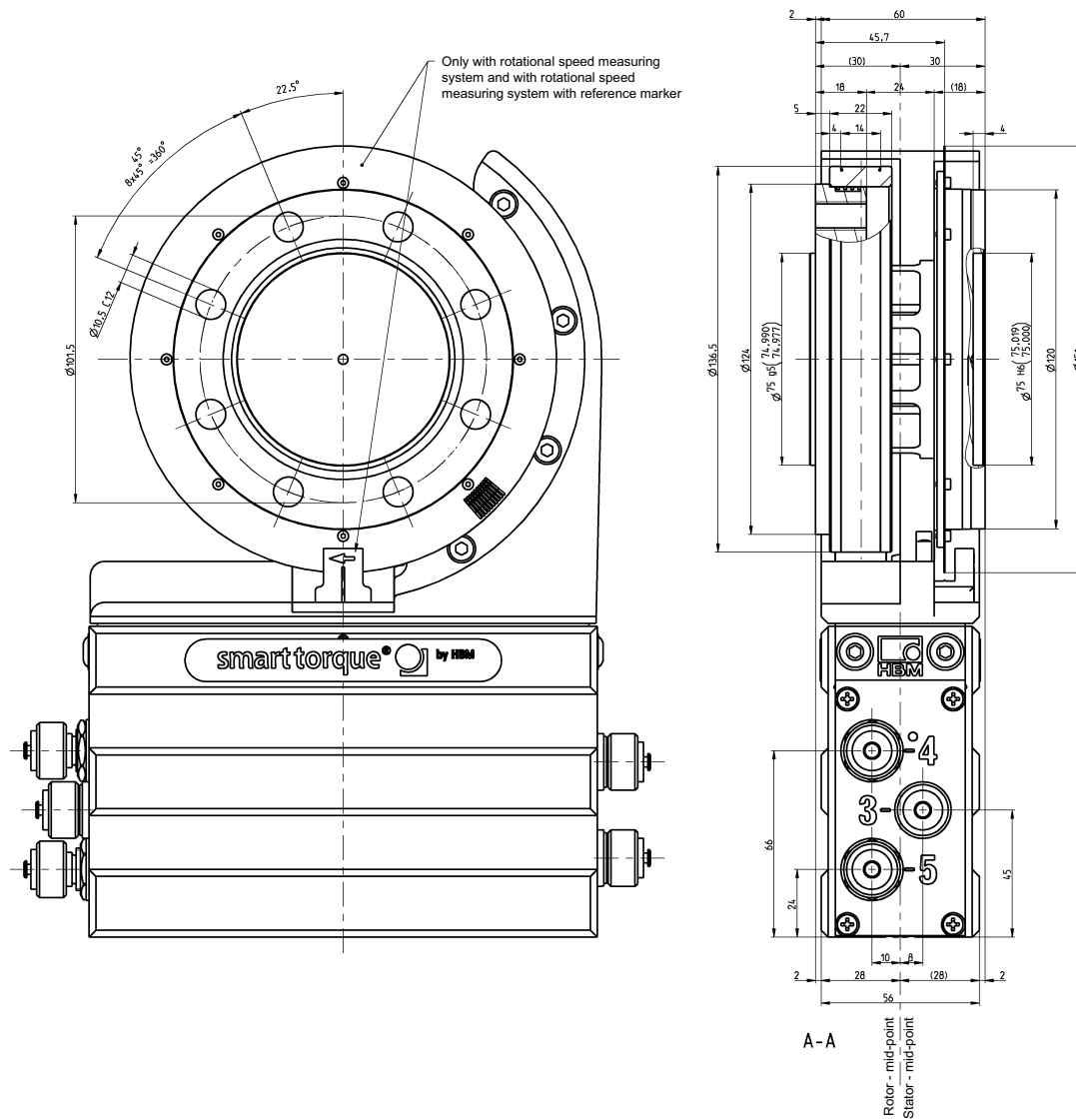
Complete measurement flange, T12HP/100 Nm - 200 Nm (Drawing 2 of 2)

Dimensions in mm (1 mm = 0.03937 inches)



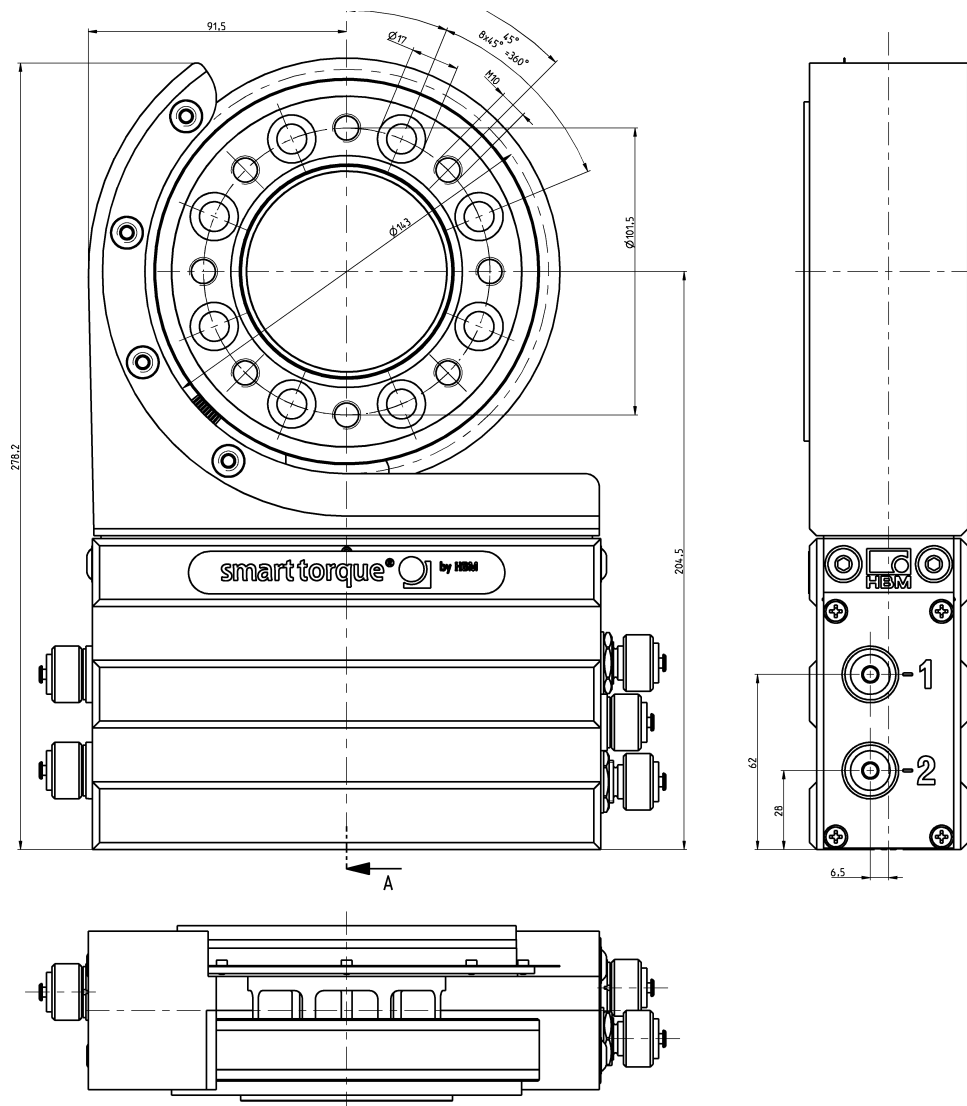
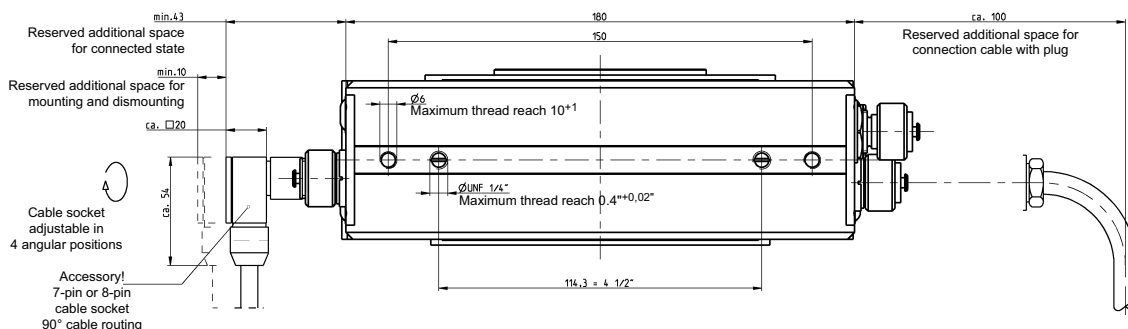
Complete measurement flange, T12HP/500 Nm - 1 kNm (Drawing 1 of 2)

Dimensions in mm (1 mm = 0.03937 inches)



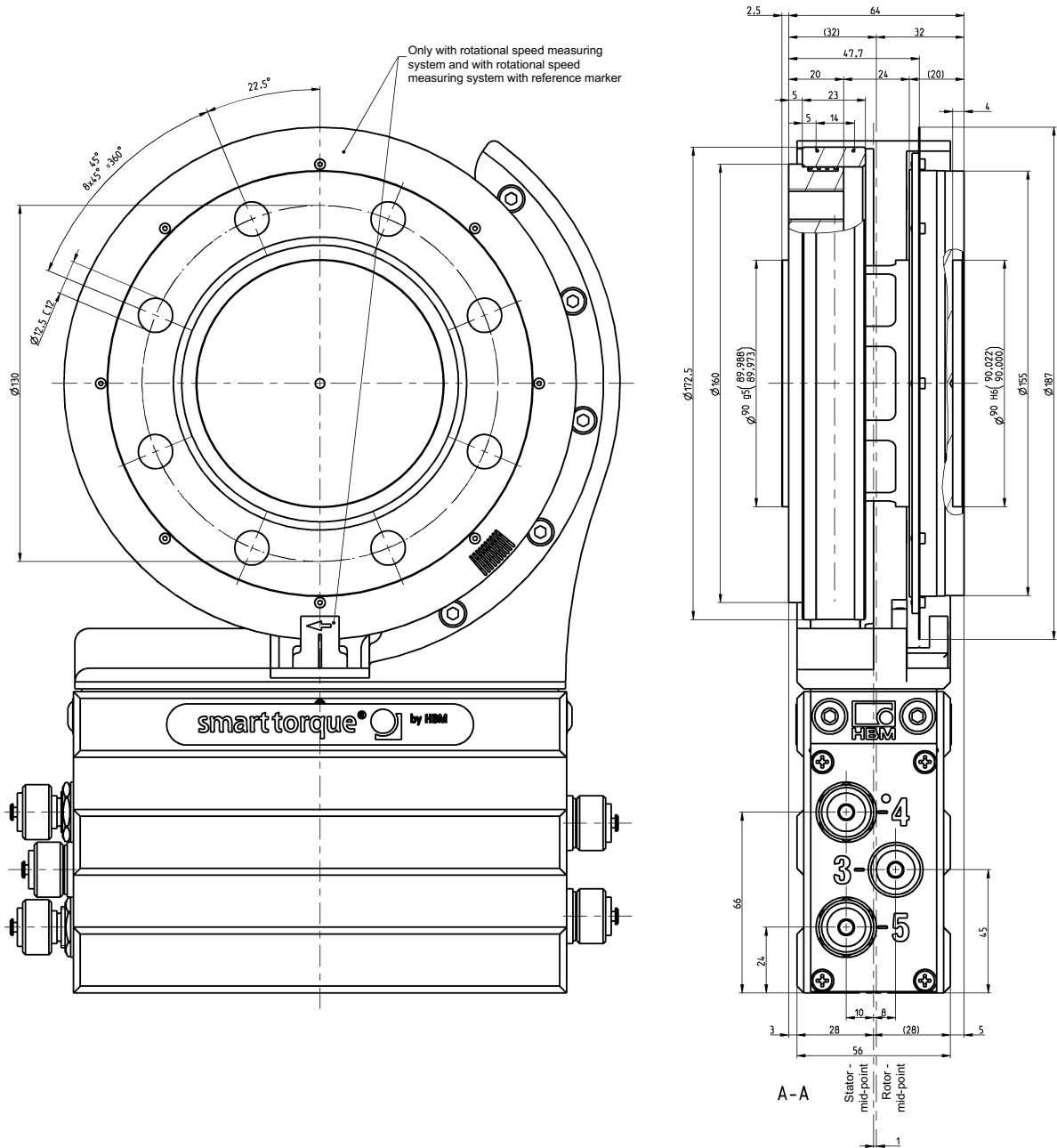
Complete measurement flange, T12HP/500 Nm - 1 kNm (Drawing 2 of 2)

Dimensions in mm (1 mm = 0.03937 inches)



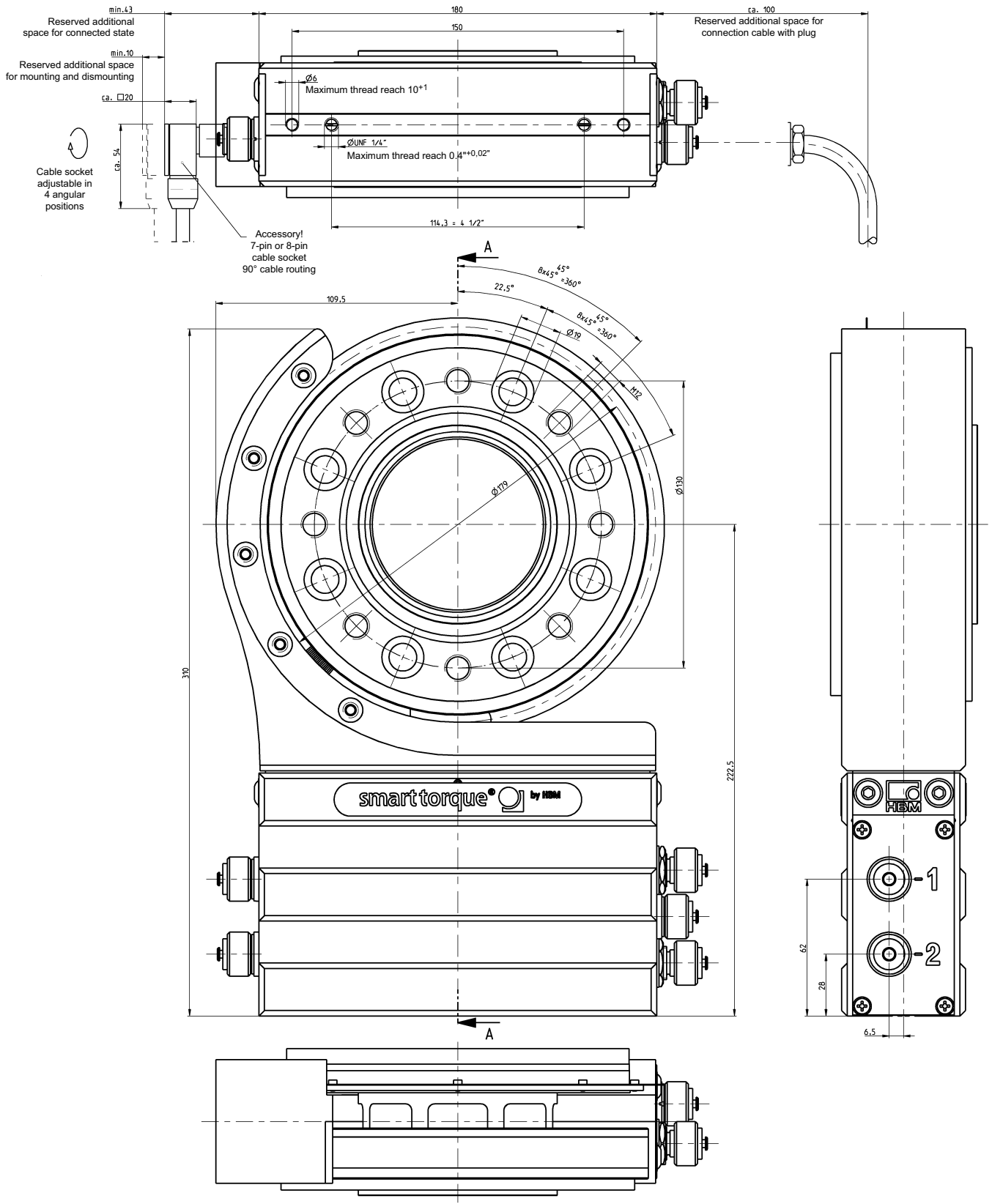
Complete measurement flange, T12HP/2 kNm - 3 kNm (Drawing 1 of 2)

Dimensions in mm (1 mm = 0.03937 inches)



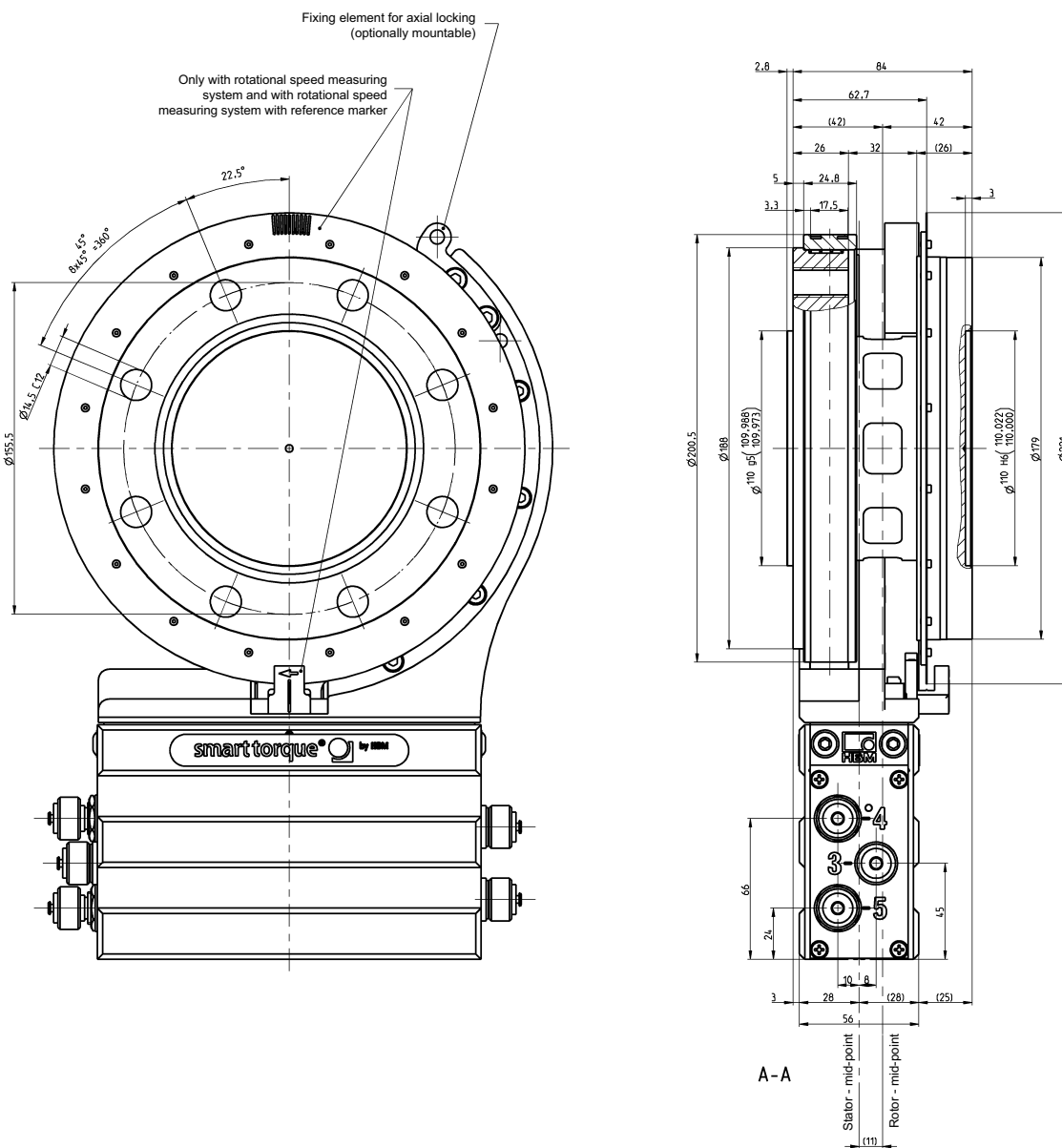
Complete measurement flange, T12HP/2 kNm - 3 kNm (Drawing 2 of 2)

Dimensions in mm (1 mm = 0.03937 inches)



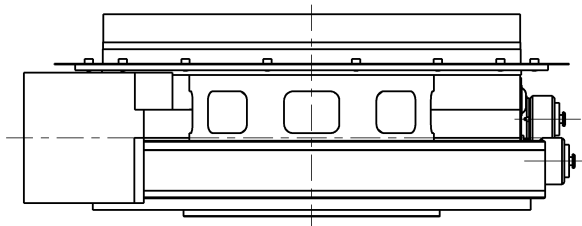
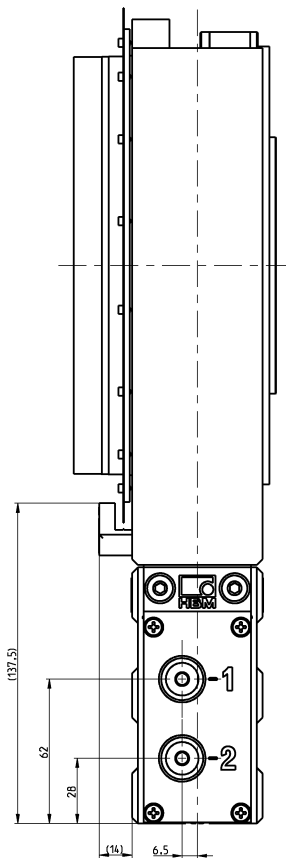
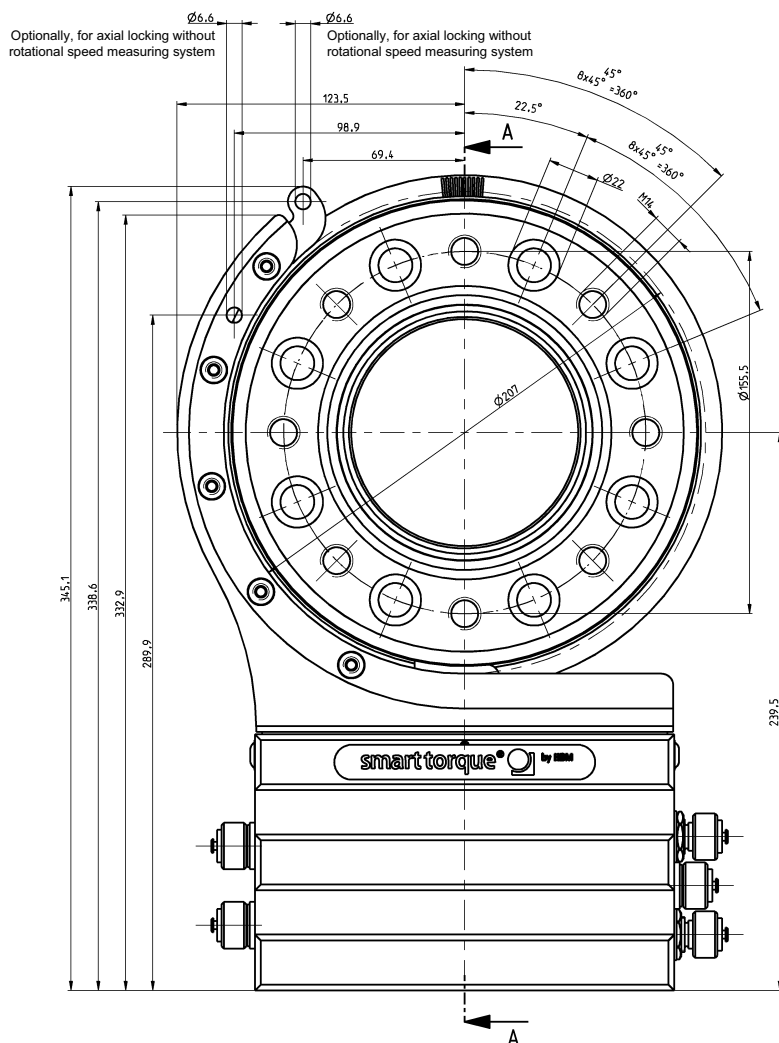
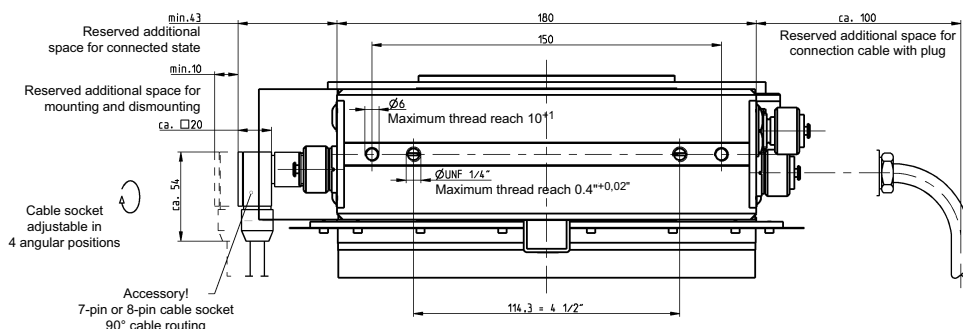
Complete measurement flange, T12HP/5 kNm (Drawing 1 of 2)

Dimensions in mm (1 mm = 0.03937 inches)



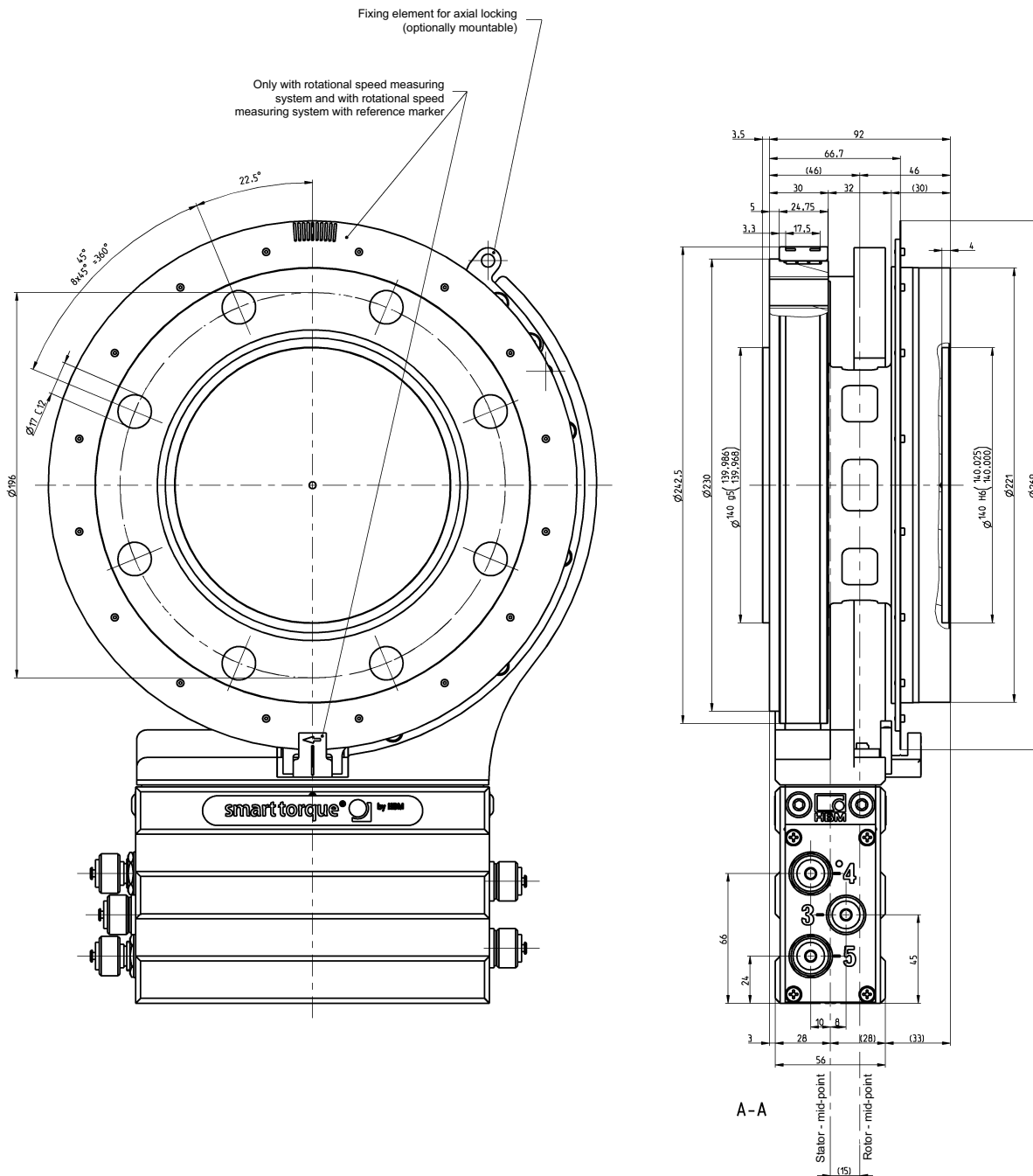
Complete measurement flange, T12HP/5 kNm (Drawing 2 of 2)

Dimensions in mm (1 mm = 0.03937 inches)



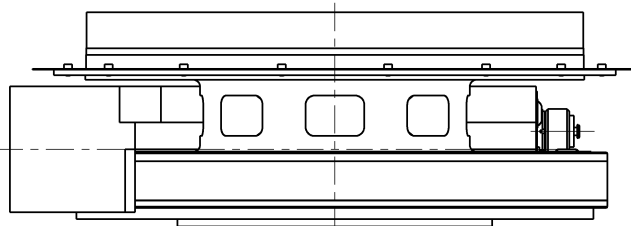
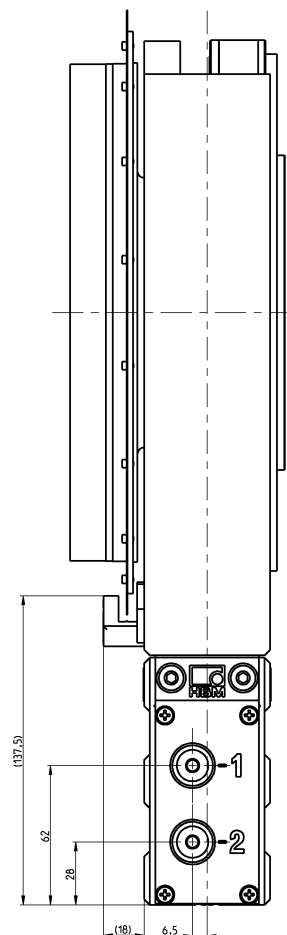
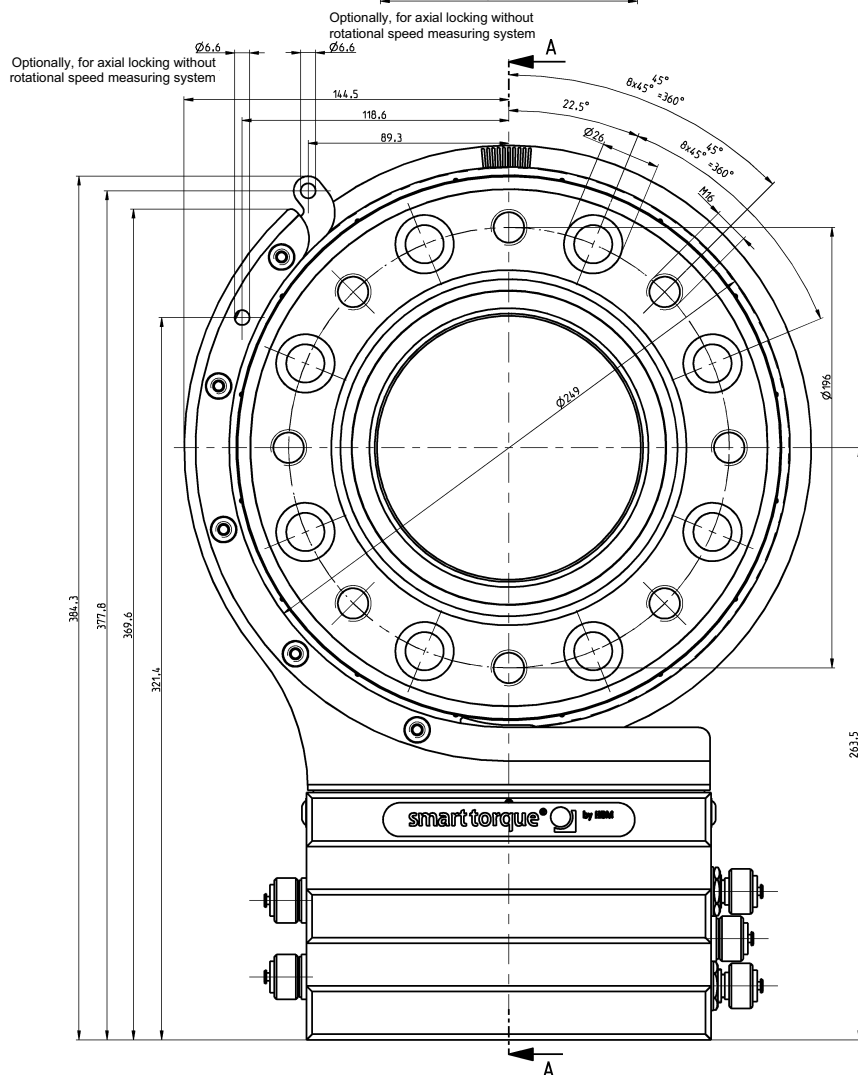
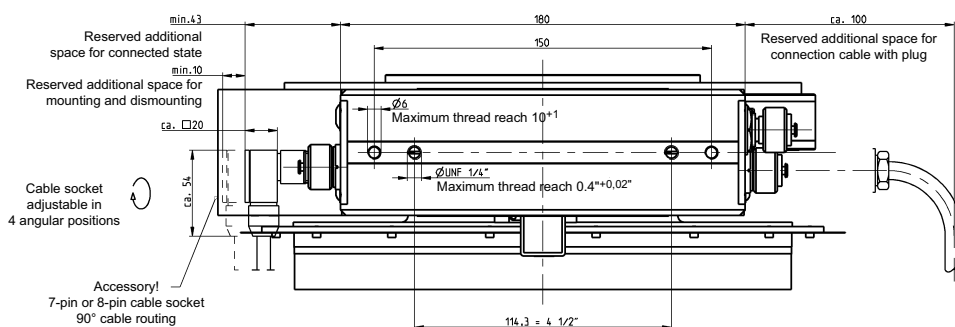
Complete measurement flange, T12HP/10 kNm (Drawing 1 of 2)

Dimensions in mm (1 mm = 0.03937 inches)



Complete measurement flange, T12HP/10 kNm (Drawing 2 of 2)

Dimensions in mm (1 mm = 0.03937 inches)



Subject to modifications.
All product descriptions are for general information
only. They are not to be understood as a guarantee
of quality or durability.

Hottinger Baldwin Messtechnik GmbH
Im Tiefen See 45 · 64293 Darmstadt · Germany
Tel. +49 6151 803-0 · Fax +49 6151 803-9100
Email: info@hbm.com · www.hbm.com

measure and predict with confidence

