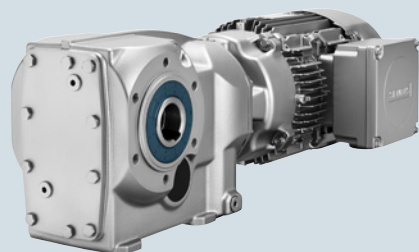


Bevel geared motors



| | |
|-------------|---|
| 5/2 | Orientation |
| 5/3 | Geared motors up to 55 kW |
| 5/3 | Selection and ordering data |
| 5/49 | Transmission ratios and torques |
| 5/49 | Selection and ordering data |
| 5/63 | Transmission ratios and torques for very low speeds |
| 5/63 | Selection and ordering data |
| 5/73 | Dimensions |
| 5/73 | Dimensional drawing overview |
| 5/75 | Bevel geared motors B..19 |
| 5/79 | Bevel geared motors B..29 |
| 5/83 | Bevel geared motors B..39 |
| 5/87 | Bevel geared motors B..49 |
| 5/91 | Bevel geared motors K..39 |
| 5/95 | Bevel geared motors K..49 |
| 5/99 | Bevel geared motors K..69 |
| 5/103 | Bevel geared motors K..79 |
| 5/107 | Bevel geared motors K..89 |
| 5/111 | Bevel geared motors K..109 |
| 5/115 | Bevel geared motors K..129 |
| 5/119 | Bevel geared motors K..149 |
| 5/123 | Bevel geared motors K..169 |
| 5/127 | Bevel geared motors K..189 |
| 5/131 | Bevel tandem geared motors |
| 5/132 | SIMOLOC assembly system |
| | <u>Protection covers</u> |
| 5/134 | Protection covers for hollow shaft |
| 5/134 | Protection covers for hollow shaft with shrink disk |
| 5/135 | Protection covers for hollow shaft with SIMOLOC assembly system |
| 5/136 | Inner contour of the flange design |
| 5/137 | Pin holes |

SIMOGEAR geared motors

Bevel geared motors

Orientation

SIMOGEAR bevel geared motor B

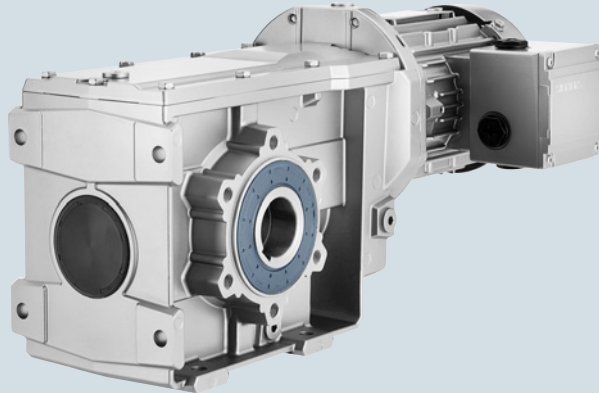


Fig. 5/1 Bevel geared motor B

| Gearbox designation | Number of sizes | Maximum output torque | Transmission ratio | Maximum motor power |
|-----------------------|-----------------|-----------------------|--------------------|---------------------|
| | | T_{2N} Nm | i - | P_1 kW |
| B19 ... B49 (2-stage) | 4 | 50 ... 450 | 3.5 ... 59 | 7.5 |

SIMOGEAR bevel geared motor K

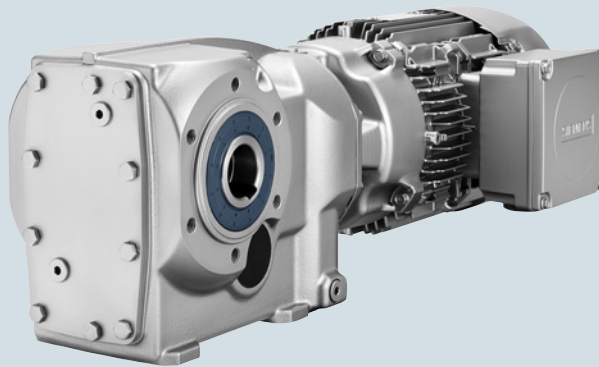


Fig. 5/2 Bevel geared motor K

| Gearbox designation | Number of sizes | Maximum output torque | Transmission ratio | Maximum motor power |
|---|-----------------|-----------------------|--------------------|---------------------|
| | | T_{2N} Nm | i - | P_1 kW |
| K39 ... K189 (3-stage) | 10 | 150 ... 19 500 | 5.7 ... 237 | 55 |
| K.39-D/Z19 ... K189-DZ69 (5-stage and 6-stage) | 10 | 220 ... 19 500 | 170 ... 14 900 | 7.5 |

SIMOGEAR bevel geared motors are available in the following versions:

Transmission stages

- 2-stage or 3-stage bevel geared motors
- 5-stage or 6-stage bevel geared motors for very low output speeds

Versions

- Shaft-mounted design
- Flange-mounted design
- Design with integrated housing flange
- Foot-mounted design

Mounting

- Hollow shaft design with feather key
- Hollow shaft design with splined shaft
- Hollow shaft design with shrink disk
- Hollow shaft design with SIMOLOC assembly system
- Solid shaft design with and without feather key

For 2-stage bevel gearboxes B, the torque arm is supplied loose to enable it to be mounted as required on site. The position of the torque arm can be freely selected.

Selection and ordering data

| P_{rated} kW | n_2 rpm | T_2 Nm | i - | F_{R2} N | f_B - | m kg | Article No. (Article No. supplement → below) | Order code No. of poles |
|--------------------------|---------------------|-------------|----------|---------------|------------|-----------|---|----------------------------|
| 0.09 | K.39-LA63MF6 | | | | | | | |
| | 5.4 | 159 | 157.32 | 6 300 | 1.4 | 15 | 2KJ3504 - ■ BD11 - ■ ■ J2 | P01 |
| | 6.1 | 141 | 139.54 | 6 370 | 1.6 | 15 | 2KJ3504 - ■ BD11 - ■ ■ H2 | P01 |
| | 7.0 | 122 | 121.07 | 6 440 | 1.8 | 15 | 2KJ3504 - ■ BD11 - ■ ■ G2 | P01 |
| | 7.7 | 111 | 110.06 | 6 480 | 2.0 | 15 | 2KJ3504 - ■ BD11 - ■ ■ F2 | P01 |
| | B.29-LA63MF6 | | | | | | | |
| | 18 | 47 | 46.85 | 4 200 | 2.3 | 9 | 2KJ3501 - ■ BD11 - ■ ■ B2 | P01 |
| | 20 | 42 | 41.56 | 4 200 | 2.6 | 9 | 2KJ3501 - ■ BD11 - ■ ■ A2 | P01 |
| | 24 | 36 | 36.06 | 4 200 | 3.0 | 9 | 2KJ3501 - ■ BD11 - ■ ■ X1 | P01 |
| | 26 | 33 | 32.78 | 4 200 | 3.3 | 9 | 2KJ3501 - ■ BD11 - ■ ■ W1 | P01 |
| | B.29-LA63MD4 | | | | | | | |
| | 30 | 29 | 46.85 | 4 200 | 3.8 | 9 | 2KJ3501 - ■ BB11 - ■ ■ B2 | |
| | 34 | 26 | 41.56 | 4 200 | 4.3 | 9 | 2KJ3501 - ■ BB11 - ■ ■ A2 | |
| | 39 | 22 | 36.06 | 4 200 | 5.0 | 9 | 2KJ3501 - ■ BB11 - ■ ■ X1 | |
| | 43 | 20 | 32.78 | 4 200 | 5.5 | 9 | 2KJ3501 - ■ BB11 - ■ ■ W1 | |
| | 50 | 17 | 28.11 | 4 200 | 6.4 | 9 | 2KJ3501 - ■ BB11 - ■ ■ V1 | |
| | 55 | 16 | 25.56 | 4 200 | 7.0 | 9 | 2KJ3501 - ■ BB11 - ■ ■ U1 | |
| | 62 | 14 | 22.41 | 4 200 | 8.0 | 9 | 2KJ3501 - ■ BB11 - ■ ■ T1 | |
| | 70 | 12 | 20.00 | 4 200 | 9.0 | 9 | 2KJ3501 - ■ BB11 - ■ ■ S1 | |
| | 79 | 11 | 17.82 | 4 200 | 10 | 9 | 2KJ3501 - ■ BB11 - ■ ■ R1 | |
| | 85 | 10 | 16.45 | 4 200 | 11 | 9 | 2KJ3501 - ■ BB11 - ■ ■ Q1 | |
| | 97 | 8.8 | 14.40 | 4 200 | 12 | 9 | 2KJ3501 - ■ BB11 - ■ ■ P1 | |
| | 111 | 7.8 | 12.63 | 4 200 | 14 | 9 | 2KJ3501 - ■ BB11 - ■ ■ N1 | |
| | B.19-LA63MF6 | | | | | | | |
| | 20 | 43 | 42.10 | 1 910 | 1.2 | 8 | 2KJ3500 - ■ BD11 - ■ ■ A2 | P01 |
| | 23 | 38 | 37.28 | 1 910 | 1.3 | 8 | 2KJ3500 - ■ BD11 - ■ ■ X1 | P01 |
| | 26 | 33 | 32.39 | 1 910 | 1.5 | 8 | 2KJ3500 - ■ BD11 - ■ ■ W1 | P01 |
| | 29 | 30 | 29.44 | 1 910 | 1.7 | 8 | 2KJ3500 - ■ BD11 - ■ ■ V1 | P01 |
| | B.19-LA63MD4 | | | | | | | |
| | 33 | 26 | 42.10 | 1 910 | 1.9 | 8 | 2KJ3500 - ■ BB11 - ■ ■ A2 | |
| | 38 | 23 | 37.28 | 1 910 | 2.2 | 8 | 2KJ3500 - ■ BB11 - ■ ■ X1 | |
| | 43 | 20 | 32.39 | 1 910 | 2.5 | 8 | 2KJ3500 - ■ BB11 - ■ ■ W1 | |
| | 48 | 18 | 29.44 | 1 910 | 2.8 | 8 | 2KJ3500 - ■ BB11 - ■ ■ V1 | |
| | 56 | 15 | 25.06 | 1 910 | 3.2 | 8 | 2KJ3500 - ■ BB11 - ■ ■ U1 | |
| | 61 | 14 | 22.78 | 1 910 | 3.6 | 8 | 2KJ3500 - ■ BB11 - ■ ■ T1 | |
| | 70 | 12 | 19.86 | 1 910 | 4.1 | 8 | 2KJ3500 - ■ BB11 - ■ ■ S1 | |
| | 79 | 11 | 17.78 | 1 910 | 4.6 | 8 | 2KJ3500 - ■ BB11 - ■ ■ R1 | |
| | 89 | 9.7 | 15.79 | 1 910 | 5.2 | 8 | 2KJ3500 - ■ BB11 - ■ ■ Q1 | |
| | 96 | 8.9 | 14.57 | 1 910 | 5.6 | 8 | 2KJ3500 - ■ BB11 - ■ ■ P1 | |
| | 111 | 7.8 | 12.66 | 1 910 | 6.4 | 8 | 2KJ3500 - ■ BB11 - ■ ■ N1 | |
| | 127 | 6.8 | 11.00 | 1 910 | 7.4 | 8 | 2KJ3500 - ■ BB11 - ■ ■ M1 | |
| | 141 | 6.1 | 9.93 | 1 910 | 8.2 | 8 | 2KJ3500 - ■ BB11 - ■ ■ L1 | |
| | 150 | 5.7 | 9.35 | 1 910 | 8.7 | 8 | 2KJ3500 - ■ BB11 - ■ ■ K1 | |
| | 172 | 5 | 8.15 | 1 910 | 9.4 | 8 | 2KJ3500 - ■ BB11 - ■ ■ J1 | |
| | 178 | 4.8 | 7.87 | 1 910 | 7.9 | 8 | 2KJ3500 - ■ BB11 - ■ ■ H1 | |
| | 200 | 4.3 | 6.99 | 1 910 | 8.9 | 8 | 2KJ3500 - ■ BB11 - ■ ■ G1 | |
| | 217 | 4 | 6.45 | 1 910 | 9.8 | 8 | 2KJ3500 - ■ BB11 - ■ ■ F1 | |

Article No. supplement

Shaft design

1, 5, 6, 7 or 9

→ page 10/39

Frequency and voltage

2 or 9

→ page 11/2

Gearbox mounting type

A, D, F or H

→ page 10/37

SIMOGEAR geared motors

Bevel geared motors

Geared motors up to 55 kW

Selection and ordering data (continued)

| P_{rated} kW | n_2 rpm | T_2 Nm | i - | F_{R2} N | f_B - | m kg | Article No. (Article No. supplement → below) | Order code No. of poles |
|--------------------------|---------------------|-------------|----------|---------------|------------|---------------------------|---|----------------------------|
| 0.09 | B.19-LA63MD4 | | | | | | | |
| | 250 | 3.4 | 5.61 | 1 910 | 11 | 8 | 2KJ3500 - ■ BB11 - ■ ■ E1 | |
| | 287 | 3 | 4.87 | 1 910 | 12 | 8 | 2KJ3500 - ■ BB11 - ■ ■ D1 | |
| | 318 | 2.7 | 4.40 | 1 910 | 13 | 8 | 2KJ3500 - ■ BB11 - ■ ■ C1 | |
| | 338 | 2.5 | 4.14 | 1 910 | 13 | 8 | 2KJ3500 - ■ BB11 - ■ ■ B1 | |
| | 388 | 2.2 | 3.61 | 1 910 | 14 | 8 | 2KJ3500 - ■ BB11 - ■ ■ A1 | |
| 0.12 | K.49-LA63MG6 | | | | | | | |
| | 5.0 | 225 | 200.25 | 8 770 | 1.8 | 22 | 2KJ3505 - ■ BE11 - ■ ■ J2 | P01 |
| | 5.6 | 200 | 178.06 | 8 850 | 2.1 | 22 | 2KJ3505 - ■ BE11 - ■ ■ H2 | P01 |
| | K.39-LA63MG6 | | | | | | | |
| | 6.4 | 180 | 157.32 | 6 230 | 1.2 | 15 | 2KJ3504 - ■ BE11 - ■ ■ J2 | P01 |
| | 7.2 | 160 | 139.54 | 6 300 | 1.4 | 15 | 2KJ3504 - ■ BE11 - ■ ■ H2 | P01 |
| | 8.3 | 139 | 121.07 | 6 380 | 1.6 | 15 | 2KJ3504 - ■ BE11 - ■ ■ G2 | P01 |
| | K.39-LA63ME4 | | | | | | | |
| | 8.6 | 134 | 157.32 | 6 400 | 1.6 | 15 | 2KJ3504 - ■ BC11 - ■ ■ J2 | |
| | 9.7 | 118 | 139.54 | 6 460 | 1.9 | 15 | 2KJ3504 - ■ BC11 - ■ ■ H2 | |
| | 11 | 103 | 121.07 | 6 510 | 2.1 | 15 | 2KJ3504 - ■ BC11 - ■ ■ G2 | |
| | B.29-LA63MG6 | | | | | | | |
| | 21 | 54 | 46.85 | 4 200 | 2.0 | 9 | 2KJ3501 - ■ BE11 - ■ ■ B2 | P01 |
| | 24 | 48 | 41.56 | 4 200 | 2.3 | 9 | 2KJ3501 - ■ BE11 - ■ ■ A2 | P01 |
| | 28 | 41 | 36.06 | 4 200 | 2.7 | 9 | 2KJ3501 - ■ BE11 - ■ ■ X1 | P01 |
| | B.29-LA63ME4 | | | | | | | |
| | 29 | 40 | 46.85 | 4 200 | 2.8 | 9 | 2KJ3501 - ■ BC11 - ■ ■ B2 | |
| | 32 | 35 | 41.56 | 4 200 | 3.1 | 9 | 2KJ3501 - ■ BC11 - ■ ■ A2 | |
| | 37 | 31 | 36.06 | 4 200 | 3.6 | 9 | 2KJ3501 - ■ BC11 - ■ ■ X1 | |
| | 41 | 28 | 32.78 | 4 200 | 4.0 | 9 | 2KJ3501 - ■ BC11 - ■ ■ W1 | |
| | 48 | 24 | 28.11 | 4 200 | 4.6 | 9 | 2KJ3501 - ■ BC11 - ■ ■ V1 | |
| | 53 | 22 | 25.56 | 4 200 | 5.1 | 9 | 2KJ3501 - ■ BC11 - ■ ■ U1 | |
| | 60 | 19 | 22.41 | 4 200 | 5.8 | 9 | 2KJ3501 - ■ BC11 - ■ ■ T1 | |
| | 68 | 17 | 20.00 | 4 200 | 6.5 | 9 | 2KJ3501 - ■ BC11 - ■ ■ S1 | |
| | 76 | 15 | 17.82 | 4 200 | 7.3 | 9 | 2KJ3501 - ■ BC11 - ■ ■ R1 | |
| | 82 | 14 | 16.45 | 4 200 | 7.9 | 9 | 2KJ3501 - ■ BC11 - ■ ■ Q1 | |
| | 94 | 12 | 14.40 | 4 200 | 9.0 | 9 | 2KJ3501 - ■ BC11 - ■ ■ P1 | |
| | 107 | 11 | 12.63 | 4 200 | 10 | 9 | 2KJ3501 - ■ BC11 - ■ ■ N1 | |
| | 118 | 9.7 | 11.46 | 4 200 | 11 | 9 | 2KJ3501 - ■ BC11 - ■ ■ M1 | |
| | 125 | 9.2 | 10.78 | 4 200 | 12 | 9 | 2KJ3501 - ■ BC11 - ■ ■ L1 | |
| 142 | 8.1 | 9.51 | 4 200 | 14 | 9 | 2KJ3501 - ■ BC11 - ■ ■ K1 | | |
| 172 | 6.7 | 7.84 | 4 150 | 11 | 9 | 2KJ3501 - ■ BC11 - ■ ■ H1 | | |
| 183 | 6.3 | 7.38 | 4 070 | 12 | 9 | 2KJ3501 - ■ BC11 - ■ ■ G1 | | |
| 207 | 5.5 | 6.51 | 3 900 | 14 | 9 | 2KJ3501 - ■ BC11 - ■ ■ F1 | | |
| B.19-LA63MG6 | | | | | | | | |
| 24 | 48 | 42.10 | 1 910 | 1.0 | 8 | 2KJ3500 - ■ BE11 - ■ ■ A2 | P01 | |
| 27 | 43 | 37.28 | 1 910 | 1.2 | 8 | 2KJ3500 - ■ BE11 - ■ ■ X1 | P01 | |
| 31 | 37 | 32.39 | 1 910 | 1.3 | 8 | 2KJ3500 - ■ BE11 - ■ ■ W1 | P01 | |
| B.19-LA63ME4 | | | | | | | | |
| 32 | 36 | 42.10 | 1 910 | 1.4 | 8 | 2KJ3500 - ■ BC11 - ■ ■ A2 | | |
| 36 | 32 | 37.28 | 1 910 | 1.6 | 8 | 2KJ3500 - ■ BC11 - ■ ■ X1 | | |
| 42 | 28 | 32.39 | 1 910 | 1.8 | 8 | 2KJ3500 - ■ BC11 - ■ ■ W1 | | |

Article No. supplement

Shaft design

1, 5, 6, 7 or 9

Frequency and voltage

2 or 9

Gearbox mounting type

A, D, F or H

→ page 10/44

→ page 11/2

→ page 10/37

Selection and ordering data (continued)

| P_{rated} kW | n_2 rpm | T_2 Nm | i - | F_{R2} N | f_B - | m kg | Article No. (Article No. supplement → below) | Order code No. of poles |
|--------------------------|---------------------|-------------|----------|---------------|------------|---------------------------|---|----------------------------|
| 0.09 | B.19-LA63ME4 | | | | | | | |
| | 46 | 25 | 29.44 | 1 910 | 2.0 | 8 | 2KJ3500 - ■ BC11 - ■ ■ V1 | |
| | 54 | 21 | 25.06 | 1 910 | 2.4 | 8 | 2KJ3500 - ■ BC11 - ■ ■ U1 | |
| | 59 | 19 | 22.78 | 1 910 | 2.6 | 8 | 2KJ3500 - ■ BC11 - ■ ■ T1 | |
| | 68 | 17 | 19.86 | 1 910 | 3.0 | 8 | 2KJ3500 - ■ BC11 - ■ ■ S1 | |
| | 76 | 15 | 17.78 | 1 910 | 3.3 | 8 | 2KJ3500 - ■ BC11 - ■ ■ R1 | |
| | 85 | 13 | 15.79 | 1 910 | 3.7 | 8 | 2KJ3500 - ■ BC11 - ■ ■ Q1 | |
| | 93 | 12 | 14.57 | 1 910 | 4.0 | 8 | 2KJ3500 - ■ BC11 - ■ ■ P1 | |
| | 107 | 11 | 12.66 | 1 910 | 4.7 | 8 | 2KJ3500 - ■ BC11 - ■ ■ N1 | |
| | 123 | 9.3 | 11.00 | 1 910 | 5.4 | 8 | 2KJ3500 - ■ BC11 - ■ ■ M1 | |
| | 136 | 8.4 | 9.93 | 1 910 | 5.9 | 8 | 2KJ3500 - ■ BC11 - ■ ■ L1 | |
| | 144 | 7.9 | 9.35 | 1 910 | 6.3 | 8 | 2KJ3500 - ■ BC11 - ■ ■ K1 | |
| | 166 | 6.9 | 8.15 | 1 910 | 6.8 | 8 | 2KJ3500 - ■ BC11 - ■ ■ J1 | |
| | 172 | 6.7 | 7.87 | 1 910 | 5.7 | 8 | 2KJ3500 - ■ BC11 - ■ ■ H1 | |
| | 193 | 5.9 | 6.99 | 1 910 | 6.4 | 8 | 2KJ3500 - ■ BC11 - ■ ■ G1 | |
| | 209 | 5.5 | 6.45 | 1 910 | 7.1 | 8 | 2KJ3500 - ■ BC11 - ■ ■ F1 | |
| | 241 | 4.8 | 5.61 | 1 910 | 7.8 | 8 | 2KJ3500 - ■ BC11 - ■ ■ E1 | |
| | 277 | 4.1 | 4.87 | 1 910 | 8.5 | 8 | 2KJ3500 - ■ BC11 - ■ ■ D1 | |
| 307 | 3.7 | 4.40 | 1 910 | 9.1 | 8 | 2KJ3500 - ■ BC11 - ■ ■ C1 | | |
| 326 | 3.5 | 4.14 | 1 910 | 9.4 | 8 | 2KJ3500 - ■ BC11 - ■ ■ B1 | | |
| 374 | 3.1 | 3.61 | 1 910 | 10 | 8 | 2KJ3500 - ■ BC11 - ■ ■ A1 | | |
| 0.18 | K.79-LA71MG6 | | | | | | | |
| | 3.5 | 490 | 244.25 | 14 400 | 1.7 | 35 | 2KJ3508 - ■ CD11 - ■ ■ J2 | P01 |
| | 3.8 | 445 | 222.05 | 14 400 | 1.8 | 35 | 2KJ3508 - ■ CD11 - ■ ■ H2 | P01 |
| | K.69-LA71MG6 | | | | | | | |
| | 4.3 | 395 | 196.59 | 11 300 | 1.5 | 30 | 2KJ3507 - ■ CD11 - ■ ■ H2 | P01 |
| | 4.8 | 360 | 178.72 | 11 400 | 1.7 | 30 | 2KJ3507 - ■ CD11 - ■ ■ G2 | P01 |
| | 5.6 | 305 | 152.00 | 11 500 | 2.0 | 30 | 2KJ3507 - ■ CD11 - ■ ■ F2 | P01 |
| | 6.2 | 275 | 138.18 | 11 600 | 2.1 | 30 | 2KJ3507 - ■ CD11 - ■ ■ E2 | P01 |
| | K.49-LA71MG6 | | | | | | | |
| | 4.2 | 405 | 200.25 | 7 940 | 1.0 | 23 | 2KJ3505 - ■ CD11 - ■ ■ J2 | P01 |
| | 4.8 | 360 | 178.06 | 8 290 | 1.2 | 23 | 2KJ3505 - ■ CD11 - ■ ■ H2 | P01 |
| | 5.4 | 315 | 156.34 | 8 510 | 1.3 | 23 | 2KJ3505 - ■ CD11 - ■ ■ G2 | P01 |
| | 6.0 | 285 | 142.13 | 8 600 | 1.5 | 23 | 2KJ3505 - ■ CD11 - ■ ■ F2 | P01 |
| | K.49-LA63MF4 | | | | | | | |
| | 6.7 | 255 | 200.25 | 8 690 | 1.6 | 22 | 2KJ3505 - ■ BD11 - ■ ■ J2 | |
| | 7.6 | 225 | 178.06 | 8 770 | 1.9 | 22 | 2KJ3505 - ■ BD11 - ■ ■ H2 | |
| | 8.6 | 199 | 156.34 | 8 850 | 2.1 | 22 | 2KJ3505 - ■ BD11 - ■ ■ G2 | |
| | K.39-LA71MG6 | | | | | | | |
| | 7.0 | 245 | 121.07 | 5 980 | 0.90 | 16 | 2KJ3504 - ■ CD11 - ■ ■ G2 | P01 |
| | 7.7 | 220 | 110.06 | 6 080 | 0.99 | 16 | 2KJ3504 - ■ CD11 - ■ ■ F2 | P01 |
| | K.39-LA63MF4 | | | | | | | |
| | 8.6 | 200 | 157.32 | 6 150 | 1.1 | 15 | 2KJ3504 - ■ BD11 - ■ ■ J2 | |
| | 9.7 | 178 | 139.54 | 6 230 | 1.2 | 15 | 2KJ3504 - ■ BD11 - ■ ■ H2 | |
| | 11 | 154 | 121.07 | 6 320 | 1.4 | 15 | 2KJ3504 - ■ BD11 - ■ ■ G2 | |
| | 12 | 140 | 110.06 | 6 370 | 1.6 | 15 | 2KJ3504 - ■ BD11 - ■ ■ F2 | |
| | 14 | 120 | 94.39 | 6 450 | 1.8 | 15 | 2KJ3504 - ■ BD11 - ■ ■ E2 | |
| | 16 | 109 | 85.81 | 6 490 | 2.0 | 15 | 2KJ3504 - ■ BD11 - ■ ■ D2 | |
| 18 | 96 | 75.24 | 6 530 | 2.3 | 15 | 2KJ3504 - ■ BD11 - ■ ■ C2 | | |

Article No. supplement

Shaft design

1, 5, 6, 7 or 9

Frequency and voltage

2 or 9

Gearbox mounting type

A, D, F or H

→ page 10/44

→ page 11/2

→ page 10/37

SIMOGEAR geared motors

Bevel geared motors

Geared motors up to 55 kW

Selection and ordering data (continued)

| P_{rated} kW | n_2 rpm | T_2 Nm | i - | F_{R2} N | f_B - | m kg | Article No. (Article No. supplement → below) | Order code No. of poles |
|--------------------------|---------------------|-------------|----------|---------------|------------|---------------------------|---|----------------------------|
| 0.18 | B.39-LA71MG6 | | | | | | | |
| | 15 | 114 | 56.36 | 6 980 | 2.2 | 15 | 2KJ3502 - ■ CD11 - ■ ■ A2 | P01 |
| | 17 | 101 | 50.11 | 6 980 | 2.1 | 15 | 2KJ3502 - ■ CD11 - ■ ■ X1 | P01 |
| | B.29-LA71MG6 | | | | | | | |
| | 18 | 95 | 46.85 | 4 200 | 1.2 | 10 | 2KJ3501 - ■ CD11 - ■ ■ B2 | P01 |
| | 20 | 84 | 41.56 | 4 200 | 1.3 | 10 | 2KJ3501 - ■ CD11 - ■ ■ A2 | P01 |
| | 24 | 73 | 36.06 | 4 200 | 1.5 | 10 | 2KJ3501 - ■ CD11 - ■ ■ X1 | P01 |
| | 26 | 66 | 32.78 | 4 200 | 1.7 | 10 | 2KJ3501 - ■ CD11 - ■ ■ W1 | P01 |
| | B.29-LA63MF4 | | | | | | | |
| | 29 | 60 | 46.85 | 4 200 | 1.8 | 9 | 2KJ3501 - ■ BD11 - ■ ■ B2 | |
| | 32 | 53 | 41.56 | 4 200 | 2.1 | 9 | 2KJ3501 - ■ BD11 - ■ ■ A2 | |
| | 37 | 46 | 36.06 | 4 200 | 2.4 | 9 | 2KJ3501 - ■ BD11 - ■ ■ X1 | |
| | 41 | 42 | 32.78 | 4 200 | 2.6 | 9 | 2KJ3501 - ■ BD11 - ■ ■ W1 | |
| | 48 | 36 | 28.11 | 4 200 | 3.1 | 9 | 2KJ3501 - ■ BD11 - ■ ■ V1 | |
| | 53 | 32 | 25.56 | 4 200 | 3.4 | 9 | 2KJ3501 - ■ BD11 - ■ ■ U1 | |
| | 60 | 28 | 22.41 | 4 200 | 3.9 | 9 | 2KJ3501 - ■ BD11 - ■ ■ T1 | |
| | 68 | 26 | 20.00 | 4 200 | 4.3 | 9 | 2KJ3501 - ■ BD11 - ■ ■ S1 | |
| | 76 | 23 | 17.82 | 4 200 | 4.8 | 9 | 2KJ3501 - ■ BD11 - ■ ■ R1 | |
| | 82 | 21 | 16.45 | 4 200 | 5.3 | 9 | 2KJ3501 - ■ BD11 - ■ ■ Q1 | |
| 94 | 18 | 14.40 | 4 200 | 6.0 | 9 | 2KJ3501 - ■ BD11 - ■ ■ P1 | | |
| 107 | 16 | 12.63 | 4 200 | 6.8 | 9 | 2KJ3501 - ■ BD11 - ■ ■ N1 | | |
| 118 | 15 | 11.46 | 4 200 | 7.5 | 9 | 2KJ3501 - ■ BD11 - ■ ■ M1 | | |
| 125 | 14 | 10.78 | 4 200 | 8.0 | 9 | 2KJ3501 - ■ BD11 - ■ ■ L1 | | |
| 142 | 12 | 9.51 | 4 200 | 9.1 | 9 | 2KJ3501 - ■ BD11 - ■ ■ K1 | | |
| 164 | 10 | 8.25 | 4 200 | 10 | 9 | 2KJ3501 - ■ BD11 - ■ ■ J1 | | |
| 172 | 10 | 7.84 | 4 110 | 7.5 | 9 | 2KJ3501 - ■ BD11 - ■ ■ H1 | | |
| 183 | 9.4 | 7.38 | 4 040 | 8.0 | 9 | 2KJ3501 - ■ BD11 - ■ ■ G1 | | |
| 207 | 8.3 | 6.51 | 3 880 | 9.0 | 9 | 2KJ3501 - ■ BD11 - ■ ■ F1 | | |
| 239 | 7.2 | 5.65 | 3 700 | 10 | 9 | 2KJ3501 - ■ BD11 - ■ ■ E1 | | |
| 266 | 6.5 | 5.07 | 3 590 | 12 | 9 | 2KJ3501 - ■ BD11 - ■ ■ D1 | | |
| 282 | 6.1 | 4.78 | 3 520 | 12 | 9 | 2KJ3501 - ■ BD11 - ■ ■ C1 | | |
| 321 | 5.4 | 4.21 | 3 380 | 14 | 9 | 2KJ3501 - ■ BD11 - ■ ■ B1 | | |
| B.19-LA71MG6 | | | | | | | | |
| 29 | 60 | 29.44 | 1 910 | 0.84 | 9 | 2KJ3500 - ■ CD11 - ■ ■ V1 | P01 | |
| B.19-LA63MF4 | | | | | | | | |
| 32 | 54 | 42.10 | 1 910 | 0.93 | 8 | 2KJ3500 - ■ BD11 - ■ ■ A2 | | |
| 36 | 48 | 37.28 | 1 910 | 1.1 | 8 | 2KJ3500 - ■ BD11 - ■ ■ X1 | | |
| 42 | 41 | 32.39 | 1 910 | 1.2 | 8 | 2KJ3500 - ■ BD11 - ■ ■ W1 | | |
| 46 | 38 | 29.44 | 1 910 | 1.3 | 8 | 2KJ3500 - ■ BD11 - ■ ■ V1 | | |
| 54 | 32 | 25.06 | 1 910 | 1.6 | 8 | 2KJ3500 - ■ BD11 - ■ ■ U1 | | |
| 59 | 29 | 22.78 | 1 910 | 1.7 | 8 | 2KJ3500 - ■ BD11 - ■ ■ T1 | | |
| 68 | 25 | 19.86 | 1 910 | 2.0 | 8 | 2KJ3500 - ■ BD11 - ■ ■ S1 | | |
| 76 | 23 | 17.78 | 1 910 | 2.2 | 8 | 2KJ3500 - ■ BD11 - ■ ■ R1 | | |
| 85 | 20 | 15.79 | 1 910 | 2.5 | 8 | 2KJ3500 - ■ BD11 - ■ ■ Q1 | | |
| 93 | 19 | 14.57 | 1 910 | 2.7 | 8 | 2KJ3500 - ■ BD11 - ■ ■ P1 | | |
| 107 | 16 | 12.66 | 1 910 | 3.1 | 8 | 2KJ3500 - ■ BD11 - ■ ■ N1 | | |
| 123 | 14 | 11.00 | 1 910 | 3.6 | 8 | 2KJ3500 - ■ BD11 - ■ ■ M1 | | |
| 136 | 13 | 9.93 | 1 910 | 4.0 | 8 | 2KJ3500 - ■ BD11 - ■ ■ L1 | | |

Article No. supplement

| | |
|-----------------------|-----------------|
| Shaft design | 1, 5, 6, 7 or 9 |
| Frequency and voltage | 2 or 9 |
| Gearbox mounting type | A, D, F or H |

→ page 10/44

→ page 11/2

→ page 10/37

Selection and ordering data (continued)

| P_{rated} kW | n_2 rpm | T_2 Nm | i - | F_{R2} N | f_B - | m kg | Article No. (Article No. supplement → below) | Order code No. of poles |
|--------------------------|---------------------|-------------|----------|---------------|------------|---------------------------|---|----------------------------|
| 0.18 | B.19-LA63MF4 | | | | | | | |
| | 144 | 12 | 9.35 | 1 910 | 4.2 | 8 | 2KJ3500 - ■ BD11 - ■ ■ K1 | |
| | 166 | 10 | 8.15 | 1 910 | 4.5 | 8 | 2KJ3500 - ■ BD11 - ■ ■ J1 | |
| | 172 | 10 | 7.87 | 1 910 | 3.8 | 8 | 2KJ3500 - ■ BD11 - ■ ■ H1 | |
| | 193 | 8.9 | 6.99 | 1 910 | 4.3 | 8 | 2KJ3500 - ■ BD11 - ■ ■ G1 | |
| | 209 | 8.2 | 6.45 | 1 910 | 4.7 | 8 | 2KJ3500 - ■ BD11 - ■ ■ F1 | |
| | 241 | 7.1 | 5.61 | 1 910 | 5.2 | 8 | 2KJ3500 - ■ BD11 - ■ ■ E1 | |
| | 277 | 6.2 | 4.87 | 1 910 | 5.6 | 8 | 2KJ3500 - ■ BD11 - ■ ■ D1 | |
| | 307 | 5.6 | 4.40 | 1 910 | 6.1 | 8 | 2KJ3500 - ■ BD11 - ■ ■ C1 | |
| | 326 | 5.3 | 4.14 | 1 910 | 6.3 | 8 | 2KJ3500 - ■ BD11 - ■ ■ B1 | |
| | 374 | 4.6 | 3.61 | 1 910 | 6.7 | 8 | 2KJ3500 - ■ BD11 - ■ ■ A1 | |
| 0.25 | K.79-LA71MH6 | | | | | | | |
| | 3.5 | 675 | 244.25 | 14 200 | 1.2 | 37 | 2KJ3508 - ■ CE11 - ■ ■ J2 | P01 |
| | 3.9 | 615 | 222.05 | 14 300 | 1.3 | 37 | 2KJ3508 - ■ CE11 - ■ ■ H2 | P01 |
| | 4.6 | 520 | 188.85 | 14 400 | 1.6 | 37 | 2KJ3508 - ■ CE11 - ■ ■ G2 | P01 |
| | 5.0 | 475 | 171.69 | 14 400 | 1.7 | 37 | 2KJ3508 - ■ CE11 - ■ ■ F2 | P01 |
| | K.79-LA71MG4 | | | | | | | |
| | 5.5 | 430 | 244.25 | 14 400 | 1.9 | 35 | 2KJ3508 - ■ CD11 - ■ ■ J2 | |
| | 6.1 | 390 | 222.05 | 14 400 | 2.1 | 35 | 2KJ3508 - ■ CD11 - ■ ■ H2 | |
| | K.69-LA71MH6 | | | | | | | |
| | 4.4 | 545 | 196.59 | 10 900 | 1.1 | 32 | 2KJ3507 - ■ CE11 - ■ ■ H2 | P01 |
| | 4.8 | 495 | 178.72 | 11 100 | 1.2 | 32 | 2KJ3507 - ■ CE11 - ■ ■ G2 | P01 |
| | 5.7 | 420 | 152.00 | 11 200 | 1.4 | 32 | 2KJ3507 - ■ CE11 - ■ ■ F2 | P01 |
| | 6.2 | 380 | 138.18 | 11 300 | 1.6 | 32 | 2KJ3507 - ■ CE11 - ■ ■ E2 | P01 |
| | K.69-LA71MG4 | | | | | | | |
| | 6.9 | 345 | 196.59 | 11 400 | 1.7 | 30 | 2KJ3507 - ■ CD11 - ■ ■ H2 | |
| | 7.6 | 315 | 178.72 | 11 500 | 1.9 | 30 | 2KJ3507 - ■ CD11 - ■ ■ G2 | |
| | K.49-LA71MH6 | | | | | | | |
| | 4.8 | 490 | 178.06 | 7 270 | 0.85 | 25 | 2KJ3505 - ■ CE11 - ■ ■ H2 | P01 |
| | 5.5 | 430 | 156.34 | 7 740 | 0.97 | 25 | 2KJ3505 - ■ CE11 - ■ ■ G2 | P01 |
| | 6.1 | 395 | 142.13 | 8 020 | 1.1 | 25 | 2KJ3505 - ■ CE11 - ■ ■ F2 | P01 |
| | K.49-LA71MG4 | | | | | | | |
| | 6.7 | 350 | 200.25 | 8 370 | 1.2 | 23 | 2KJ3505 - ■ CD11 - ■ ■ J2 | |
| | 7.6 | 315 | 178.06 | 8 510 | 1.3 | 23 | 2KJ3505 - ■ CD11 - ■ ■ H2 | |
| | 8.6 | 275 | 156.34 | 8 630 | 1.5 | 23 | 2KJ3505 - ■ CD11 - ■ ■ G2 | |
| | 9.5 | 250 | 142.13 | 8 700 | 1.7 | 23 | 2KJ3505 - ■ CD11 - ■ ■ F2 | |
| | 11 | 215 | 121.60 | 8 800 | 2.0 | 23 | 2KJ3505 - ■ CD11 - ■ ■ E2 | |
| | 12 | 196 | 110.55 | 8 860 | 2.1 | 23 | 2KJ3505 - ■ CD11 - ■ ■ D2 | |
| | K.39-LA71MG4 | | | | | | | |
| | 9.7 | 245 | 139.54 | 5 980 | 0.89 | 16 | 2KJ3504 - ■ CD11 - ■ ■ H2 | |
| | 11 | 210 | 121.07 | 6 110 | 1.0 | 16 | 2KJ3504 - ■ CD11 - ■ ■ G2 | |
| | 12 | 195 | 110.06 | 6 170 | 1.1 | 16 | 2KJ3504 - ■ CD11 - ■ ■ F2 | |
| | 14 | 167 | 94.39 | 6 270 | 1.3 | 16 | 2KJ3504 - ■ CD11 - ■ ■ E2 | |
| | 16 | 152 | 85.81 | 6 330 | 1.4 | 16 | 2KJ3504 - ■ CD11 - ■ ■ D2 | |
| 18 | 133 | 75.24 | 6 400 | 1.7 | 16 | 2KJ3504 - ■ CD11 - ■ ■ C2 | | |
| 20 | 119 | 67.16 | 6 450 | 1.9 | 16 | 2KJ3504 - ■ CD11 - ■ ■ B2 | | |
| 23 | 106 | 59.85 | 6 500 | 2.1 | 16 | 2KJ3504 - ■ CD11 - ■ ■ A2 | | |
| 24 | 98 | 55.25 | 6 530 | 2.3 | 16 | 2KJ3504 - ■ CD11 - ■ ■ X1 | | |

Article No. supplement

| | |
|-----------------------|------------------------|
| Shaft design | 1, 5, 6, 7 or 9 |
| Frequency and voltage | 2 or 9 |
| Gearbox mounting type | A, D, F or H |

→ page 10/44

→ page 11/2

→ page 10/37

SIMOGEAR geared motors

Bevel geared motors

Geared motors up to 55 kW

Selection and ordering data (continued)

| P_{rated} kW | n_2 rpm | T_2 Nm | i - | F_{R2} N | f_B - | m kg | Article No. (Article No. supplement → below) | Order code No. of poles |
|--------------------------|---------------------|-------------|----------|---------------|------------|---------------------------|---|----------------------------|
| 0.25 | B.39-LA71MH6 | | | | | | | |
| | 15 | 156 | 56.36 | 6 980 | 1.6 | 17 | 2KJ3502 - ■ CE11 - ■ ■ A2 | P01 |
| | 17 | 139 | 50.11 | 6 980 | 1.5 | 17 | 2KJ3502 - ■ CE11 - ■ ■ X1 | P01 |
| | 20 | 122 | 44.00 | 6 980 | 2.0 | 17 | 2KJ3502 - ■ CE11 - ■ ■ W1 | P01 |
| | 22 | 111 | 40.00 | 6 980 | 2.1 | 17 | 2KJ3502 - ■ CE11 - ■ ■ V1 | P01 |
| | B.39-LA71MG4 | | | | | | | |
| | 27 | 89 | 50.11 | 6 980 | 2.4 | 15 | 2KJ3502 - ■ CD11 - ■ ■ X1 | |
| | B.29-LA71MH6 | | | | | | | |
| | 18 | 130 | 46.85 | 4 030 | 0.85 | 12 | 2KJ3501 - ■ CE11 - ■ ■ B2 | P01 |
| | 21 | 115 | 41.56 | 4 110 | 0.95 | 12 | 2KJ3501 - ■ CE11 - ■ ■ A2 | P01 |
| | 24 | 100 | 36.06 | 4 190 | 1.1 | 12 | 2KJ3501 - ■ CE11 - ■ ■ X1 | P01 |
| | 26 | 91 | 32.78 | 4 200 | 1.2 | 12 | 2KJ3501 - ■ CE11 - ■ ■ W1 | P01 |
| | B.29-LA71MG4 | | | | | | | |
| | 29 | 83 | 46.85 | 4 200 | 1.3 | 10 | 2KJ3501 - ■ CD11 - ■ ■ B2 | |
| | 32 | 74 | 41.56 | 4 200 | 1.5 | 10 | 2KJ3501 - ■ CD11 - ■ ■ A2 | |
| | 37 | 64 | 36.06 | 4 200 | 1.7 | 10 | 2KJ3501 - ■ CD11 - ■ ■ X1 | |
| | 41 | 58 | 32.78 | 4 200 | 1.9 | 10 | 2KJ3501 - ■ CD11 - ■ ■ W1 | |
| | 48 | 50 | 28.11 | 4 200 | 2.2 | 10 | 2KJ3501 - ■ CD11 - ■ ■ V1 | |
| | 53 | 45 | 25.56 | 4 200 | 2.4 | 10 | 2KJ3501 - ■ CD11 - ■ ■ U1 | |
| | 60 | 40 | 22.41 | 4 200 | 2.8 | 10 | 2KJ3501 - ■ CD11 - ■ ■ T1 | |
| | 68 | 35 | 20.00 | 4 200 | 3.1 | 10 | 2KJ3501 - ■ CD11 - ■ ■ S1 | |
| | 76 | 32 | 17.82 | 4 200 | 3.5 | 10 | 2KJ3501 - ■ CD11 - ■ ■ R1 | |
| 82 | 29 | 16.45 | 4 200 | 3.8 | 10 | 2KJ3501 - ■ CD11 - ■ ■ Q1 | | |
| 94 | 26 | 14.40 | 4 200 | 4.3 | 10 | 2KJ3501 - ■ CD11 - ■ ■ P1 | | |
| 107 | 22 | 12.63 | 4 200 | 4.9 | 10 | 2KJ3501 - ■ CD11 - ■ ■ N1 | | |
| 118 | 20 | 11.46 | 4 200 | 5.4 | 10 | 2KJ3501 - ■ CD11 - ■ ■ M1 | | |
| 125 | 19 | 10.78 | 4 200 | 5.8 | 10 | 2KJ3501 - ■ CD11 - ■ ■ L1 | | |
| 142 | 17 | 9.51 | 4 200 | 6.5 | 10 | 2KJ3501 - ■ CD11 - ■ ■ K1 | | |
| 164 | 15 | 8.25 | 4 150 | 7.5 | 10 | 2KJ3501 - ■ CD11 - ■ ■ J1 | | |
| 172 | 14 | 7.84 | 4 070 | 5.4 | 10 | 2KJ3501 - ■ CD11 - ■ ■ H1 | | |
| 183 | 13 | 7.38 | 4 000 | 5.7 | 10 | 2KJ3501 - ■ CD11 - ■ ■ G1 | | |
| 207 | 12 | 6.51 | 3 840 | 6.5 | 10 | 2KJ3501 - ■ CD11 - ■ ■ F1 | | |
| 239 | 10 | 5.65 | 3 680 | 7.5 | 10 | 2KJ3501 - ■ CD11 - ■ ■ E1 | | |
| 266 | 9 | 5.07 | 3 570 | 8.3 | 10 | 2KJ3501 - ■ CD11 - ■ ■ D1 | | |
| 282 | 8.5 | 4.78 | 3 500 | 8.8 | 10 | 2KJ3501 - ■ CD11 - ■ ■ C1 | | |
| 321 | 7.4 | 4.21 | 3 360 | 9.9 | 10 | 2KJ3501 - ■ CD11 - ■ ■ B1 | | |
| 370 | 6.5 | 3.65 | 3 210 | 11 | 10 | 2KJ3501 - ■ CD11 - ■ ■ A1 | | |
| B.19-LA71MG4 | | | | | | | | |
| 42 | 57 | 32.39 | 1 910 | 0.87 | 9 | 2KJ3500 - ■ CD11 - ■ ■ W1 | | |
| 46 | 52 | 29.44 | 1 910 | 0.96 | 9 | 2KJ3500 - ■ CD11 - ■ ■ V1 | | |
| 54 | 44 | 25.06 | 1 910 | 1.1 | 9 | 2KJ3500 - ■ CD11 - ■ ■ U1 | | |
| 59 | 40 | 22.78 | 1 910 | 1.2 | 9 | 2KJ3500 - ■ CD11 - ■ ■ T1 | | |
| 68 | 35 | 19.86 | 1 910 | 1.4 | 9 | 2KJ3500 - ■ CD11 - ■ ■ S1 | | |
| 76 | 31 | 17.78 | 1 910 | 1.6 | 9 | 2KJ3500 - ■ CD11 - ■ ■ R1 | | |
| 85 | 28 | 15.79 | 1 910 | 1.8 | 9 | 2KJ3500 - ■ CD11 - ■ ■ Q1 | | |
| 93 | 26 | 14.57 | 1 910 | 1.9 | 9 | 2KJ3500 - ■ CD11 - ■ ■ P1 | | |
| 107 | 22 | 12.66 | 1 910 | 2.2 | 9 | 2KJ3500 - ■ CD11 - ■ ■ N1 | | |
| 123 | 20 | 11.00 | 1 910 | 2.6 | 9 | 2KJ3500 - ■ CD11 - ■ ■ M1 | | |

Article No. supplement

Shaft design

1, 5, 6, 7 or 9

Frequency and voltage

2 or 9

Gearbox mounting type

A, D, F or H

→ page 10/44

→ page 11/2

→ page 10/37

Selection and ordering data (continued)

| P_{rated} kW | n_2 rpm | T_2 Nm | i - | F_{R2} N | f_B - | m kg | Article No. (Article No. supplement → below) | Order code No. of poles |
|--------------------------|---------------------|-------------|----------|---------------|------------|---------------------------|---|----------------------------|
| 0.25 | B.19-LA71MG4 | | | | | | | |
| | 136 | 18 | 9.93 | 1 910 | 2.8 | 9 | 2KJ3500 - ■ CD11 - ■ ■ L1 | |
| | 144 | 16 | 9.35 | 1 910 | 3.0 | 9 | 2KJ3500 - ■ CD11 - ■ ■ K1 | |
| | 166 | 14 | 8.15 | 1 910 | 3.3 | 9 | 2KJ3500 - ■ CD11 - ■ ■ J1 | |
| | 172 | 14 | 7.87 | 1 910 | 2.7 | 9 | 2KJ3500 - ■ CD11 - ■ ■ H1 | |
| | 193 | 12 | 6.99 | 1 910 | 3.1 | 9 | 2KJ3500 - ■ CD11 - ■ ■ G1 | |
| | 209 | 11 | 6.45 | 1 910 | 3.4 | 9 | 2KJ3500 - ■ CD11 - ■ ■ F1 | |
| | 241 | 9.9 | 5.61 | 1 910 | 3.7 | 9 | 2KJ3500 - ■ CD11 - ■ ■ E1 | |
| | 277 | 8.6 | 4.87 | 1 910 | 4.1 | 9 | 2KJ3500 - ■ CD11 - ■ ■ D1 | |
| | 307 | 7.8 | 4.40 | 1 910 | 4.4 | 9 | 2KJ3500 - ■ CD11 - ■ ■ C1 | |
| | 326 | 7.3 | 4.14 | 1 910 | 4.5 | 9 | 2KJ3500 - ■ CD11 - ■ ■ B1 | |
| | 374 | 6.4 | 3.61 | 1 910 | 4.9 | 9 | 2KJ3500 - ■ CD11 - ■ ■ A1 | |
| 0.37 | K.79-LA71MH4 | | | | | | | |
| | 5.6 | 630 | 244.25 | 14 300 | 1.3 | 37 | 2KJ3508 - ■ CE11 - ■ ■ J2 | |
| | 6.2 | 570 | 222.05 | 14 400 | 1.4 | 37 | 2KJ3508 - ■ CE11 - ■ ■ H2 | |
| | 7.3 | 485 | 188.85 | 14 400 | 1.7 | 37 | 2KJ3508 - ■ CE11 - ■ ■ G2 | |
| | 8.0 | 440 | 171.69 | 14 400 | 1.9 | 37 | 2KJ3508 - ■ CE11 - ■ ■ F2 | |
| | 8.9 | 395 | 153.18 | 14 400 | 2.1 | 37 | 2KJ3508 - ■ CE11 - ■ ■ E2 | |
| | K.69-LA71MH4 | | | | | | | |
| | 7.0 | 505 | 196.59 | 11 000 | 1.2 | 32 | 2KJ3507 - ■ CE11 - ■ ■ H2 | |
| | 7.7 | 460 | 178.72 | 11 100 | 1.3 | 32 | 2KJ3507 - ■ CE11 - ■ ■ G2 | |
| | 9.0 | 390 | 152.00 | 11 300 | 1.5 | 32 | 2KJ3507 - ■ CE11 - ■ ■ F2 | |
| | 9.9 | 355 | 138.18 | 11 400 | 1.7 | 32 | 2KJ3507 - ■ CE11 - ■ ■ E2 | |
| | 11 | 315 | 123.29 | 11 500 | 1.9 | 32 | 2KJ3507 - ■ CE11 - ■ ■ D2 | |
| | 12 | 285 | 110.55 | 11 600 | 2.1 | 32 | 2KJ3507 - ■ CE11 - ■ ■ C2 | |
| | 6.1 | 515 | 225.26 | 7 080 | 0.82 | 27 | 2KJ3522 - ■ CE11 - ■ ■ B1 | |
| | 6.5 | 485 | 212.01 | 7 310 | 0.87 | 27 | 2KJ3522 - ■ CE11 - ■ ■ A1 | |
| | K.49-LA71MH4 | | | | | | | |
| | 6.8 | 515 | 200.25 | 7 080 | 0.81 | 25 | 2KJ3505 - ■ CE11 - ■ ■ J2 | |
| | 7.7 | 455 | 178.06 | 7 550 | 0.91 | 25 | 2KJ3505 - ■ CE11 - ■ ■ H2 | |
| | 8.8 | 400 | 156.34 | 7 980 | 1.0 | 25 | 2KJ3505 - ■ CE11 - ■ ■ G2 | |
| | 9.6 | 365 | 142.13 | 8 250 | 1.1 | 25 | 2KJ3505 - ■ CE11 - ■ ■ F2 | |
| | 11 | 310 | 121.60 | 8 530 | 1.3 | 25 | 2KJ3505 - ■ CE11 - ■ ■ E2 | |
| | 12 | 285 | 110.55 | 8 600 | 1.5 | 25 | 2KJ3505 - ■ CE11 - ■ ■ D2 | |
| | 14 | 250 | 97.71 | 8 700 | 1.7 | 25 | 2KJ3505 - ■ CE11 - ■ ■ C2 | |
| | 15 | 225 | 88.83 | 8 770 | 1.8 | 25 | 2KJ3505 - ■ CE11 - ■ ■ B2 | |
| | 18 | 200 | 77.81 | 8 820 | 2.1 | 25 | 2KJ3505 - ■ CE11 - ■ ■ A2 | |
| | 19 | 185 | 71.82 | 8 670 | 2.3 | 25 | 2KJ3505 - ■ CE11 - ■ ■ X1 | |
| | K.39-LA71MH4 | | | | | | | |
| | 15 | 240 | 94.39 | 6 000 | 0.90 | 17 | 2KJ3504 - ■ CE11 - ■ ■ E2 | |
| | 16 | 220 | 85.81 | 6 080 | 0.99 | 17 | 2KJ3504 - ■ CE11 - ■ ■ D2 | |
| | 18 | 194 | 75.24 | 6 170 | 1.1 | 17 | 2KJ3504 - ■ CE11 - ■ ■ C2 | |
| | 20 | 173 | 67.16 | 6 250 | 1.3 | 17 | 2KJ3504 - ■ CE11 - ■ ■ B2 | |
| | 23 | 154 | 59.85 | 6 320 | 1.4 | 17 | 2KJ3504 - ■ CE11 - ■ ■ A2 | |
| | 25 | 143 | 55.25 | 6 360 | 1.5 | 17 | 2KJ3504 - ■ CE11 - ■ ■ X1 | |
| 28 | 125 | 48.37 | 6 430 | 1.8 | 17 | 2KJ3504 - ■ CE11 - ■ ■ W1 | | |
| 32 | 109 | 42.41 | 6 490 | 2.0 | 17 | 2KJ3504 - ■ CE11 - ■ ■ V1 | | |
| 36 | 99 | 38.48 | 6 530 | 2.2 | 17 | 2KJ3504 - ■ CE11 - ■ ■ U1 | | |

Article No. supplement

| | |
|-----------------------|-----------------|
| Shaft design | 1, 5, 6, 7 or 9 |
| Frequency and voltage | 2 or 9 |
| Gearbox mounting type | A, D, F or H |

→ page 10/44

→ page 11/2

→ page 10/37

SIMOGEAR geared motors

Bevel geared motors

Geared motors up to 55 kW

Selection and ordering data (continued)

| P_{rated} kW | n_2 rpm | T_2 Nm | i - | F_{R2} N | f_B - | m kg | Article No. (Article No. supplement → below) | Order code No. of poles |
|--------------------------|---------------------|-------------|----------|---------------|------------|-----------|---|----------------------------|
| 0.37 | K.39-LA71MH4 | | | | | | | |
| | 38 | 93 | 36.21 | 6 530 | 2.4 | 17 | 2KJ3504 - ■ CE11 - ■ ■ T1 | |
| | 43 | 82 | 31.92 | 6 470 | 2.7 | 17 | 2KJ3504 - ■ CE11 - ■ ■ S1 | |
| | B.39-LA71MH4 | | | | | | | |
| | 24 | 145 | 56.36 | 6 980 | 1.7 | 17 | 2KJ3502 - ■ CE11 - ■ ■ A2 | |
| | 27 | 129 | 50.11 | 6 980 | 1.6 | 17 | 2KJ3502 - ■ CE11 - ■ ■ X1 | |
| | 31 | 113 | 44.00 | 6 980 | 2.2 | 17 | 2KJ3502 - ■ CE11 - ■ ■ W1 | |
| | 34 | 103 | 40.00 | 6 980 | 2.2 | 17 | 2KJ3502 - ■ CE11 - ■ ■ V1 | |
| | B.29-LA71MH4 | | | | | | | |
| | 29 | 121 | 46.85 | 4 080 | 0.91 | 12 | 2KJ3501 - ■ CE11 - ■ ■ B2 | |
| | 33 | 107 | 41.56 | 4 150 | 1.0 | 12 | 2KJ3501 - ■ CE11 - ■ ■ A2 | |
| | 38 | 93 | 36.06 | 4 200 | 1.2 | 12 | 2KJ3501 - ■ CE11 - ■ ■ X1 | |
| | 42 | 84 | 32.78 | 4 200 | 1.3 | 12 | 2KJ3501 - ■ CE11 - ■ ■ W1 | |
| | 49 | 72 | 28.11 | 4 200 | 1.5 | 12 | 2KJ3501 - ■ CE11 - ■ ■ V1 | |
| | 54 | 66 | 25.56 | 4 200 | 1.7 | 12 | 2KJ3501 - ■ CE11 - ■ ■ U1 | |
| | 61 | 58 | 22.41 | 4 200 | 1.9 | 12 | 2KJ3501 - ■ CE11 - ■ ■ T1 | |
| | 68 | 52 | 20.00 | 4 200 | 2.1 | 12 | 2KJ3501 - ■ CE11 - ■ ■ S1 | |
| | 77 | 46 | 17.82 | 4 200 | 2.4 | 12 | 2KJ3501 - ■ CE11 - ■ ■ R1 | |
| | 83 | 42 | 16.45 | 4 200 | 2.6 | 12 | 2KJ3501 - ■ CE11 - ■ ■ Q1 | |
| | 95 | 37 | 14.40 | 4 200 | 3.0 | 12 | 2KJ3501 - ■ CE11 - ■ ■ P1 | |
| | 108 | 33 | 12.63 | 4 200 | 3.4 | 12 | 2KJ3501 - ■ CE11 - ■ ■ N1 | |
| | 120 | 30 | 11.46 | 4 200 | 3.7 | 12 | 2KJ3501 - ■ CE11 - ■ ■ M1 | |
| | 127 | 28 | 10.78 | 4 200 | 4.0 | 12 | 2KJ3501 - ■ CE11 - ■ ■ L1 | |
| | 144 | 24 | 9.51 | 4 200 | 4.5 | 12 | 2KJ3501 - ■ CE11 - ■ ■ K1 | |
| | 166 | 21 | 8.25 | 4 070 | 5.2 | 12 | 2KJ3501 - ■ CE11 - ■ ■ J1 | |
| | 175 | 20 | 7.84 | 3 990 | 3.7 | 12 | 2KJ3501 - ■ CE11 - ■ ■ H1 | |
| | 186 | 19 | 7.38 | 3 920 | 3.9 | 12 | 2KJ3501 - ■ CE11 - ■ ■ G1 | |
| | 210 | 17 | 6.51 | 3 770 | 4.5 | 12 | 2KJ3501 - ■ CE11 - ■ ■ F1 | |
| | 242 | 15 | 5.65 | 3 610 | 5.1 | 12 | 2KJ3501 - ■ CE11 - ■ ■ E1 | |
| | 270 | 13 | 5.07 | 3 510 | 5.7 | 12 | 2KJ3501 - ■ CE11 - ■ ■ D1 | |
| | 287 | 12 | 4.78 | 3 450 | 6.0 | 12 | 2KJ3501 - ■ CE11 - ■ ■ C1 | |
| | 325 | 11 | 4.21 | 3 310 | 6.8 | 12 | 2KJ3501 - ■ CE11 - ■ ■ B1 | |
| | 375 | 9.4 | 3.65 | 3 170 | 7.8 | 12 | 2KJ3501 - ■ CE11 - ■ ■ A1 | |
| | B.19-LA71MH4 | | | | | | | |
| | 60 | 59 | 22.78 | 1 910 | 0.85 | 10 | 2KJ3500 - ■ CE11 - ■ ■ T1 | |
| | 69 | 51 | 19.86 | 1 910 | 0.98 | 10 | 2KJ3500 - ■ CE11 - ■ ■ S1 | |
| | 77 | 46 | 17.78 | 1 910 | 1.1 | 10 | 2KJ3500 - ■ CE11 - ■ ■ R1 | |
| | 87 | 41 | 15.79 | 1 910 | 1.2 | 10 | 2KJ3500 - ■ CE11 - ■ ■ Q1 | |
| | 94 | 38 | 14.57 | 1 910 | 1.3 | 10 | 2KJ3500 - ■ CE11 - ■ ■ P1 | |
| | 108 | 33 | 12.66 | 1 910 | 1.5 | 10 | 2KJ3500 - ■ CE11 - ■ ■ N1 | |
| | 125 | 28 | 11.00 | 1 910 | 1.8 | 10 | 2KJ3500 - ■ CE11 - ■ ■ M1 | |
| | 138 | 26 | 9.93 | 1 910 | 2.0 | 10 | 2KJ3500 - ■ CE11 - ■ ■ L1 | |
| | 147 | 24 | 9.35 | 1 910 | 2.1 | 10 | 2KJ3500 - ■ CE11 - ■ ■ K1 | |
| | 168 | 21 | 8.15 | 1 910 | 2.2 | 10 | 2KJ3500 - ■ CE11 - ■ ■ J1 | |
| | 174 | 20 | 7.87 | 1 910 | 1.9 | 10 | 2KJ3500 - ■ CE11 - ■ ■ H1 | |
| | 196 | 18 | 6.99 | 1 910 | 2.1 | 10 | 2KJ3500 - ■ CE11 - ■ ■ G1 | |
| | 212 | 17 | 6.45 | 1 910 | 2.3 | 10 | 2KJ3500 - ■ CE11 - ■ ■ F1 | |
| | 244 | 14 | 5.61 | 1 910 | 2.6 | 10 | 2KJ3500 - ■ CE11 - ■ ■ E1 | |

Article No. supplement

| | |
|-----------------------|------------------------|
| Shaft design | 1, 5, 6, 7 or 9 |
| Frequency and voltage | 2 or 9 |
| Gearbox mounting type | A, D, F or H |

→ page 10/44

→ page 11/2

→ page 10/37

Selection and ordering data (continued)

| P_{rated} kW | n_2 rpm | T_2 Nm | i - | F_{R2} N | f_B - | m kg | Article No. (Article No. supplement → below) | Order code No. of poles |
|--------------------------|----------------------|-------------|----------|---------------|------------|---------------------------|---|----------------------------|
| 0.37 | B.19-LA71MH4 | | | | | | | |
| | 281 | 13 | 4.87 | 1 910 | 2.8 | 10 | 2KJ3500 - ■ CE11 - ■ ■ D1 | |
| | 311 | 11 | 4.40 | 1 910 | 3.0 | 10 | 2KJ3500 - ■ CE11 - ■ ■ C1 | |
| | 331 | 11 | 4.14 | 1 910 | 3.1 | 10 | 2KJ3500 - ■ CE11 - ■ ■ B1 | |
| | 380 | 9.3 | 3.61 | 1 910 | 3.3 | 10 | 2KJ3500 - ■ CE11 - ■ ■ A1 | |
| 0.55 | K.89-LA71ZML4 | | | | | | | |
| | 5.9 | 885 | 231.80 | 18 100 | 1.8 | 58 | 2KJ3510 - ■ CH11 - ■ ■ K2 | |
| | 6.5 | 805 | 210.72 | 18 100 | 2.0 | 58 | 2KJ3510 - ■ CH11 - ■ ■ J2 | |
| | K.89-LE80MB4 | | | | | | | |
| | 6.2 | 845 | 231.80 | 18 100 | 1.9 | 60 | 2KJ3510 - ■ DB21 - ■ ■ K2 | |
| | 6.8 | 765 | 210.72 | 18 100 | 2.1 | 60 | 2KJ3510 - ■ DB21 - ■ ■ J2 | |
| | K.79-LA71ZML4 | | | | | | | |
| | 5.6 | 935 | 244.25 | 13 700 | 0.88 | 37 | 2KJ3508 - ■ CH11 - ■ ■ J2 | |
| | 6.2 | 850 | 222.05 | 13 900 | 0.96 | 37 | 2KJ3508 - ■ CH11 - ■ ■ H2 | |
| | 7.3 | 720 | 188.85 | 14 100 | 1.1 | 37 | 2KJ3508 - ■ CH11 - ■ ■ G2 | |
| | 8.0 | 655 | 171.69 | 14 300 | 1.2 | 37 | 2KJ3508 - ■ CH11 - ■ ■ F2 | |
| | 8.9 | 585 | 153.18 | 14 400 | 1.4 | 37 | 2KJ3508 - ■ CH11 - ■ ■ E2 | |
| | 10 | 525 | 137.35 | 14 400 | 1.6 | 37 | 2KJ3508 - ■ CH11 - ■ ■ D2 | |
| | 11 | 475 | 123.80 | 14 400 | 1.7 | 37 | 2KJ3508 - ■ CH11 - ■ ■ C2 | |
| | 12 | 435 | 114.28 | 14 400 | 1.9 | 37 | 2KJ3508 - ■ CH11 - ■ ■ B2 | |
| | 13 | 400 | 104.32 | 14 400 | 2.1 | 37 | 2KJ3508 - ■ CH11 - ■ ■ A2 | |
| | K.79-LE80MB4 | | | | | | | |
| | 5.9 | 890 | 244.25 | 13 800 | 0.92 | 39 | 2KJ3508 - ■ DB21 - ■ ■ J2 | |
| | 6.5 | 810 | 222.05 | 13 900 | 1.0 | 39 | 2KJ3508 - ■ DB21 - ■ ■ H2 | |
| | 7.6 | 685 | 188.85 | 14 200 | 1.2 | 39 | 2KJ3508 - ■ DB21 - ■ ■ G2 | |
| | 8.4 | 625 | 171.69 | 14 300 | 1.3 | 39 | 2KJ3508 - ■ DB21 - ■ ■ F2 | |
| | 9.4 | 555 | 153.18 | 14 400 | 1.5 | 39 | 2KJ3508 - ■ DB21 - ■ ■ E2 | |
| | 10 | 500 | 137.35 | 14 400 | 1.6 | 39 | 2KJ3508 - ■ DB21 - ■ ■ D2 | |
| | 12 | 450 | 123.80 | 14 400 | 1.8 | 39 | 2KJ3508 - ■ DB21 - ■ ■ C2 | |
| | 13 | 415 | 114.28 | 14 400 | 2.0 | 39 | 2KJ3508 - ■ DB21 - ■ ■ B2 | |
| | 14 | 380 | 104.32 | 14 400 | 2.2 | 39 | 2KJ3508 - ■ DB21 - ■ ■ A2 | |
| | K.69-LA71ZML4 | | | | | | | |
| | 7.0 | 750 | 196.59 | 9 880 | 0.80 | 32 | 2KJ3507 - ■ CH11 - ■ ■ H2 | |
| 7.7 | 685 | 178.72 | 10 300 | 0.88 | 32 | 2KJ3507 - ■ CH11 - ■ ■ G2 | | |
| 9.0 | 580 | 152.00 | 10 900 | 1.0 | 32 | 2KJ3507 - ■ CH11 - ■ ■ F2 | | |
| 9.9 | 530 | 138.18 | 11 000 | 1.1 | 32 | 2KJ3507 - ■ CH11 - ■ ■ E2 | | |
| 11 | 470 | 123.29 | 11 100 | 1.3 | 32 | 2KJ3507 - ■ CH11 - ■ ■ D2 | | |
| 12 | 420 | 110.55 | 11 200 | 1.4 | 32 | 2KJ3507 - ■ CH11 - ■ ■ C2 | | |
| 14 | 380 | 99.64 | 11 300 | 1.6 | 32 | 2KJ3507 - ■ CH11 - ■ ■ B2 | | |
| 15 | 350 | 91.98 | 11 400 | 1.7 | 32 | 2KJ3507 - ■ CH11 - ■ ■ A2 | | |
| 16 | 320 | 83.96 | 11 500 | 1.9 | 32 | 2KJ3507 - ■ CH11 - ■ ■ X1 | | |
| 20 | 265 | 69.67 | 11 600 | 2.2 | 32 | 2KJ3507 - ■ CH11 - ■ ■ W1 | | |
| 21 | 250 | 65.57 | 11 600 | 2.4 | 32 | 2KJ3507 - ■ CH11 - ■ ■ V1 | | |
| K.69-LE80MB4 | | | | | | | | |
| 7.3 | 715 | 196.59 | 10 100 | 0.84 | 34 | 2KJ3507 - ■ DB21 - ■ ■ H2 | | |
| 8.1 | 650 | 178.72 | 10 500 | 0.92 | 34 | 2KJ3507 - ■ DB21 - ■ ■ G2 | | |
| 9.5 | 550 | 152.00 | 10 900 | 1.1 | 34 | 2KJ3507 - ■ DB21 - ■ ■ F2 | | |
| 10 | 500 | 138.18 | 11 000 | 1.2 | 34 | 2KJ3507 - ■ DB21 - ■ ■ E2 | | |

Article No. supplement

| | |
|-----------------------|------------------------|
| Shaft design | 1, 5, 6, 7 or 9 |
| Frequency and voltage | 2 or 9 |
| Gearbox mounting type | A, D, F or H |

→ page 10/44

→ page 11/2

→ page 10/37

SIMOGEAR geared motors

Bevel geared motors

Geared motors up to 55 kW

Selection and ordering data (continued)

| P_{rated} kW | n_2 rpm | T_2 Nm | i - | F_{R2} N | f_B - | m kg | Article No. (Article No. supplement → below) | Order code No. of poles |
|--------------------------|--------------|-------------|----------|---------------|------------|-----------|---|----------------------------|
| 0.55 | | | | | | | | |
| K.69-LE80MB4 | | | | | | | | |
| | 12 | 450 | 123.29 | 11 200 | 1.3 | 34 | 2KJ3507 - ■ DB21 - ■ ■ D2 | |
| | 13 | 400 | 110.55 | 11 300 | 1.5 | 34 | 2KJ3507 - ■ DB21 - ■ ■ C2 | |
| | 14 | 360 | 99.64 | 11 400 | 1.7 | 34 | 2KJ3507 - ■ DB21 - ■ ■ B2 | |
| | 16 | 335 | 91.98 | 11 400 | 1.8 | 34 | 2KJ3507 - ■ DB21 - ■ ■ A2 | |
| | 17 | 305 | 83.96 | 11 500 | 2 | 34 | 2KJ3507 - ■ DB21 - ■ ■ X1 | |
| | 21 | 250 | 69.67 | 11 600 | 2.4 | 34 | 2KJ3507 - ■ DB21 - ■ ■ W1 | |
| K.49-LA71ZML4 | | | | | | | | |
| | 11 | 465 | 121.60 | 7 470 | 0.90 | 25 | 2KJ3505 - ■ CH11 - ■ ■ E2 | |
| | 12 | 420 | 110.55 | 7 820 | 0.99 | 25 | 2KJ3505 - ■ CH11 - ■ ■ D2 | |
| | 14 | 375 | 97.71 | 8 170 | 1.1 | 25 | 2KJ3505 - ■ CH11 - ■ ■ C2 | |
| | 15 | 340 | 88.83 | 8 200 | 1.2 | 25 | 2KJ3505 - ■ CH11 - ■ ■ B2 | |
| | 18 | 295 | 77.81 | 8 080 | 1.4 | 25 | 2KJ3505 - ■ CH11 - ■ ■ A2 | |
| | 19 | 275 | 71.82 | 7 960 | 1.5 | 25 | 2KJ3505 - ■ CH11 - ■ ■ X1 | |
| | 22 | 240 | 63.59 | 7 840 | 1.7 | 25 | 2KJ3505 - ■ CH11 - ■ ■ W1 | |
| | 26 | 200 | 52.93 | 7 570 | 2.1 | 25 | 2KJ3505 - ■ CH11 - ■ ■ V1 | |
| | 27 | 191 | 49.82 | 7 460 | 2.2 | 25 | 2KJ3505 - ■ CH11 - ■ ■ U1 | |
| | 31 | 171 | 44.63 | 7 290 | 2.5 | 25 | 2KJ3505 - ■ CH11 - ■ ■ T1 | |
| K.49-LE80MB4 | | | | | | | | |
| | 10 | 515 | 142.13 | 7 080 | 0.81 | 27 | 2KJ3505 - ■ DB21 - ■ ■ F2 | |
| | 12 | 440 | 121.60 | 7 670 | 0.95 | 27 | 2KJ3505 - ■ DB21 - ■ ■ E2 | |
| | 13 | 400 | 110.55 | 7 980 | 1.0 | 27 | 2KJ3505 - ■ DB21 - ■ ■ D2 | |
| | 15 | 355 | 97.71 | 8 250 | 1.2 | 27 | 2KJ3505 - ■ DB21 - ■ ■ C2 | |
| | 16 | 320 | 88.83 | 8 180 | 1.3 | 27 | 2KJ3505 - ■ DB21 - ■ ■ B2 | |
| | 19 | 280 | 77.81 | 8 030 | 1.5 | 27 | 2KJ3505 - ■ DB21 - ■ ■ A2 | |
| | 20 | 260 | 71.82 | 7 910 | 1.6 | 27 | 2KJ3505 - ■ DB21 - ■ ■ X1 | |
| | 23 | 230 | 63.59 | 7 750 | 1.8 | 27 | 2KJ3505 - ■ DB21 - ■ ■ W1 | |
| | 27 | 193 | 52.93 | 7 470 | 2.2 | 27 | 2KJ3505 - ■ DB21 - ■ ■ V1 | |
| | 29 | 182 | 49.82 | 7 380 | 2.3 | 27 | 2KJ3505 - ■ DB21 - ■ ■ U1 | |
| B.49-LE80MB4 | | | | | | | | |
| | 24 | 215 | 59.28 | 11 100 | 2.1 | 25 | 2KJ3503 - ■ DB21 - ■ ■ C2 | |
| | 27 | 197 | 53.89 | 10 800 | 2.3 | 25 | 2KJ3503 - ■ DB21 - ■ ■ B2 | |
| B.49-LA71ZML4 | | | | | | | | |
| | 23 | 225 | 59.28 | 11 200 | 2.0 | 23 | 2KJ3503 - ■ CH11 - ■ ■ C2 | |
| | 25 | 205 | 53.89 | 10 900 | 2.2 | 23 | 2KJ3503 - ■ CH11 - ■ ■ B2 | |
| K.39-LE80MB4 | | | | | | | | |
| | 19 | 270 | 75.24 | 5 890 | 0.80 | 20 | 2KJ3504 - ■ DB21 - ■ ■ C2 | |
| | 21 | 245 | 67.16 | 5 980 | 0.90 | 20 | 2KJ3504 - ■ DB21 - ■ ■ B2 | |
| | 24 | 215 | 59.85 | 6 100 | 1.0 | 20 | 2KJ3504 - ■ DB21 - ■ ■ A2 | |
| | 26 | 200 | 55.25 | 6 150 | 1.1 | 20 | 2KJ3504 - ■ DB21 - ■ ■ X1 | |
| | 30 | 176 | 48.37 | 6 240 | 1.2 | 20 | 2KJ3504 - ■ DB21 - ■ ■ W1 | |
| | 34 | 155 | 42.41 | 6 320 | 1.4 | 20 | 2KJ3504 - ■ DB21 - ■ ■ V1 | |
| | 37 | 140 | 38.48 | 6 280 | 1.6 | 20 | 2KJ3504 - ■ DB21 - ■ ■ U1 | |
| | 40 | 132 | 36.21 | 6 210 | 1.7 | 20 | 2KJ3504 - ■ DB21 - ■ ■ T1 | |
| | 45 | 116 | 31.92 | 6 050 | 1.9 | 20 | 2KJ3504 - ■ DB21 - ■ ■ S1 | |
| | 52 | 101 | 27.70 | 5 850 | 2.2 | 20 | 2KJ3504 - ■ DB21 - ■ ■ R1 | |
| | 54 | 98 | 26.89 | 5 810 | 2.2 | 20 | 2KJ3504 - ■ DB21 - ■ ■ Q1 | |
| | 60 | 87 | 23.97 | 5 660 | 2.5 | 20 | 2KJ3504 - ■ DB21 - ■ ■ P1 | |

Article No. supplement

Shaft design

1, 5, 6, 7 or 9

Frequency and voltage

2 or 9

Gearbox mounting type

A, D, F or H

→ page 10/44

→ page 11/2

→ page 10/37

Selection and ordering data (continued)

| P_{rated} kW | n_2 rpm | T_2 Nm | i - | F_{R2} N | f_B - | m kg | Article No. (Article No. supplement → below) | Order code No. of poles |
|--------------------------|----------------------|-------------|----------|---------------|------------|---------------------------|---|----------------------------|
| 0.55 | K.39-LE80MB4 | | | | | | | |
| | 65 | 81 | 22.12 | 5 550 | 2.7 | 20 | 2KJ3504 - ■ DB21 - ■ ■ N1 | |
| | 74 | 71 | 19.37 | 5 360 | 3.1 | 20 | 2KJ3504 - ■ DB21 - ■ ■ M1 | |
| | K.39-LA71ZML4 | | | | | | | |
| | 20 | 255 | 67.16 | 5 950 | 0.85 | 17 | 2KJ3504 - ■ CH11 - ■ ■ B2 | |
| | 23 | 225 | 59.85 | 6 060 | 0.96 | 17 | 2KJ3504 - ■ CH11 - ■ ■ A2 | |
| | 25 | 210 | 55.25 | 6 110 | 1.0 | 17 | 2KJ3504 - ■ CH11 - ■ ■ X1 | |
| | 28 | 185 | 48.37 | 6 210 | 1.2 | 17 | 2KJ3504 - ■ CH11 - ■ ■ W1 | |
| | 32 | 163 | 42.41 | 6 290 | 1.4 | 17 | 2KJ3504 - ■ CH11 - ■ ■ V1 | |
| | 36 | 148 | 38.48 | 6 340 | 1.5 | 17 | 2KJ3504 - ■ CH11 - ■ ■ U1 | |
| | 38 | 139 | 36.21 | 6 270 | 1.6 | 17 | 2KJ3504 - ■ CH11 - ■ ■ T1 | |
| | 43 | 122 | 31.92 | 6 110 | 1.8 | 17 | 2KJ3504 - ■ CH11 - ■ ■ S1 | |
| | 49 | 106 | 27.70 | 5 920 | 2.1 | 17 | 2KJ3504 - ■ CH11 - ■ ■ R1 | |
| | 51 | 103 | 26.89 | 5 880 | 2.1 | 17 | 2KJ3504 - ■ CH11 - ■ ■ Q1 | |
| | 57 | 92 | 23.97 | 5 720 | 2.4 | 17 | 2KJ3504 - ■ CH11 - ■ ■ P1 | |
| | 62 | 85 | 22.12 | 5 610 | 2.6 | 17 | 2KJ3504 - ■ CH11 - ■ ■ N1 | |
| | 71 | 74 | 19.37 | 5 440 | 3.0 | 17 | 2KJ3504 - ■ CH11 - ■ ■ M1 | |
| | B.39-LE80MB4 | | | | | | | |
| | 29 | 183 | 50.11 | 6 980 | 1.1 | 19 | 2KJ3502 - ■ DB21 - ■ ■ X1 | |
| 33 | 160 | 44.00 | 6 980 | 1.6 | 19 | 2KJ3502 - ■ DB21 - ■ ■ W1 | | |
| 36 | 146 | 40.00 | 6 980 | 1.6 | 19 | 2KJ3502 - ■ DB21 - ■ ■ V1 | | |
| 42 | 125 | 34.22 | 6 980 | 2.0 | 19 | 2KJ3502 - ■ DB21 - ■ ■ U1 | | |
| 46 | 113 | 31.11 | 6 980 | 2.2 | 19 | 2KJ3502 - ■ DB21 - ■ ■ T1 | | |
| 52 | 100 | 27.50 | 6 980 | 2.5 | 19 | 2KJ3502 - ■ DB21 - ■ ■ S1 | | |
| 58 | 91 | 25.00 | 6 980 | 2.7 | 19 | 2KJ3502 - ■ DB21 - ■ ■ R1 | | |
| 66 | 80 | 21.90 | 6 980 | 3.1 | 19 | 2KJ3502 - ■ DB21 - ■ ■ Q1 | | |
| B.39-LA71ZML4 | | | | | | | | |
| 24 | 215 | 56.36 | 6 980 | 1.2 | 17 | 2KJ3502 - ■ CH11 - ■ ■ A2 | | |
| 27 | 192 | 50.11 | 6 980 | 1.1 | 17 | 2KJ3502 - ■ CH11 - ■ ■ X1 | | |
| 31 | 169 | 44.00 | 6 980 | 1.5 | 17 | 2KJ3502 - ■ CH11 - ■ ■ W1 | | |
| 34 | 153 | 40.00 | 6 980 | 1.5 | 17 | 2KJ3502 - ■ CH11 - ■ ■ V1 | | |
| 40 | 131 | 34.22 | 6 980 | 1.9 | 17 | 2KJ3502 - ■ CH11 - ■ ■ U1 | | |
| 44 | 119 | 31.11 | 6 980 | 2.1 | 17 | 2KJ3502 - ■ CH11 - ■ ■ T1 | | |
| 50 | 105 | 27.50 | 6 980 | 2.4 | 17 | 2KJ3502 - ■ CH11 - ■ ■ S1 | | |
| 55 | 96 | 25.00 | 6 980 | 2.6 | 17 | 2KJ3502 - ■ CH11 - ■ ■ R1 | | |
| 63 | 84 | 21.90 | 6 980 | 3.0 | 17 | 2KJ3502 - ■ CH11 - ■ ■ Q1 | | |
| B.29-LE80MB4 | | | | | | | | |
| 40 | 132 | 36.06 | 4 020 | 0.84 | 14 | 2KJ3501 - ■ DB21 - ■ ■ X1 | | |
| 44 | 120 | 32.78 | 4 080 | 0.92 | 14 | 2KJ3501 - ■ DB21 - ■ ■ W1 | | |
| 51 | 103 | 28.11 | 4 170 | 1.1 | 14 | 2KJ3501 - ■ DB21 - ■ ■ V1 | | |
| 56 | 93 | 25.56 | 4 200 | 1.2 | 14 | 2KJ3501 - ■ DB21 - ■ ■ U1 | | |
| 64 | 82 | 22.41 | 4 200 | 1.3 | 14 | 2KJ3501 - ■ DB21 - ■ ■ T1 | | |
| 72 | 73 | 20.00 | 4 200 | 1.5 | 14 | 2KJ3501 - ■ DB21 - ■ ■ S1 | | |
| 81 | 65 | 17.82 | 4 200 | 1.7 | 14 | 2KJ3501 - ■ DB21 - ■ ■ R1 | | |
| 88 | 60 | 16.45 | 4 200 | 1.8 | 14 | 2KJ3501 - ■ DB21 - ■ ■ Q1 | | |
| 100 | 52 | 14.40 | 4 200 | 2.1 | 14 | 2KJ3501 - ■ DB21 - ■ ■ P1 | | |
| 114 | 46 | 12.63 | 4 200 | 2.4 | 14 | 2KJ3501 - ■ DB21 - ■ ■ N1 | | |
| 126 | 42 | 11.46 | 4 200 | 2.6 | 14 | 2KJ3501 - ■ DB21 - ■ ■ M1 | | |

Article No. supplement

| | |
|-----------------------|-----------------|
| Shaft design | 1, 5, 6, 7 or 9 |
| Frequency and voltage | 2 or 9 |
| Gearbox mounting type | A, D, F or H |

→ page 10/44

→ page 11/2

→ page 10/37

SIMOGEAR geared motors

Bevel geared motors

Geared motors up to 55 kW

Selection and ordering data (continued)

| P_{rated} kW | n_2 rpm | T_2 Nm | i - | F_{R2} N | f_B - | m kg | Article No. (Article No. supplement → below) | Order code No. of poles |
|--------------------------|----------------------|-------------|----------|---------------|------------|---------------------------|---|----------------------------|
| 0.55 | B.29-LE80MB4 | | | | | | | |
| | 134 | 39 | 10.78 | 4 200 | 2.8 | 14 | 2KJ3501 - ■ DB21 - ■ ■ L1 | |
| | 151 | 35 | 9.51 | 4 070 | 3.2 | 14 | 2KJ3501 - ■ DB21 - ■ ■ K1 | |
| | 175 | 30 | 8.25 | 3 920 | 3.7 | 14 | 2KJ3501 - ■ DB21 - ■ ■ J1 | |
| | 184 | 29 | 7.84 | 3 830 | 2.6 | 14 | 2KJ3501 - ■ DB21 - ■ ■ H1 | |
| | 195 | 27 | 7.38 | 3 770 | 2.8 | 14 | 2KJ3501 - ■ DB21 - ■ ■ G1 | |
| | 221 | 24 | 6.51 | 3 630 | 3.2 | 14 | 2KJ3501 - ■ DB21 - ■ ■ F1 | |
| | 255 | 21 | 5.65 | 3 480 | 3.6 | 14 | 2KJ3501 - ■ DB21 - ■ ■ E1 | |
| | 284 | 18 | 5.07 | 3 410 | 4.0 | 14 | 2KJ3501 - ■ DB21 - ■ ■ D1 | |
| | 301 | 17 | 4.78 | 3 340 | 4.2 | 14 | 2KJ3501 - ■ DB21 - ■ ■ C1 | |
| | 342 | 15 | 4.21 | 3 220 | 4.8 | 14 | 2KJ3501 - ■ DB21 - ■ ■ B1 | |
| | B.29-LA71ZML4 | | | | | | | |
| | 38 | 138 | 36.06 | 3 990 | 0.80 | 12 | 2KJ3501 - ■ CH11 - ■ ■ X1 | |
| | 42 | 126 | 32.78 | 4 050 | 0.88 | 12 | 2KJ3501 - ■ CH11 - ■ ■ W1 | |
| | 49 | 108 | 28.11 | 4 150 | 1.0 | 12 | 2KJ3501 - ■ CH11 - ■ ■ V1 | |
| | 54 | 98 | 25.56 | 4 200 | 1.1 | 12 | 2KJ3501 - ■ CH11 - ■ ■ U1 | |
| | 61 | 86 | 22.41 | 4 200 | 1.3 | 12 | 2KJ3501 - ■ CH11 - ■ ■ T1 | |
| | 68 | 77 | 20.00 | 4 200 | 1.4 | 12 | 2KJ3501 - ■ CH11 - ■ ■ S1 | |
| | 77 | 68 | 17.82 | 4 200 | 1.6 | 12 | 2KJ3501 - ■ CH11 - ■ ■ R1 | |
| | 83 | 63 | 16.45 | 4 200 | 1.7 | 12 | 2KJ3501 - ■ CH11 - ■ ■ Q1 | |
| | 95 | 55 | 14.40 | 4 200 | 2 | 12 | 2KJ3501 - ■ CH11 - ■ ■ P1 | |
| | 108 | 48 | 12.63 | 4 200 | 2.3 | 12 | 2KJ3501 - ■ CH11 - ■ ■ N1 | |
| | 120 | 44 | 11.46 | 4 200 | 2.5 | 12 | 2KJ3501 - ■ CH11 - ■ ■ M1 | |
| | 127 | 41 | 10.78 | 4 200 | 2.7 | 12 | 2KJ3501 - ■ CH11 - ■ ■ L1 | |
| | 144 | 36 | 9.51 | 4 140 | 3.0 | 12 | 2KJ3501 - ■ CH11 - ■ ■ K1 | |
| | 166 | 32 | 8.25 | 3 970 | 3.5 | 12 | 2KJ3501 - ■ CH11 - ■ ■ J1 | |
| | 175 | 30 | 7.84 | 3 890 | 2.5 | 12 | 2KJ3501 - ■ CH11 - ■ ■ H1 | |
| | 186 | 28 | 7.38 | 3 820 | 2.7 | 12 | 2KJ3501 - ■ CH11 - ■ ■ G1 | |
| | 210 | 25 | 6.51 | 3 690 | 3.0 | 12 | 2KJ3501 - ■ CH11 - ■ ■ F1 | |
| | 242 | 22 | 5.65 | 3 530 | 3.5 | 12 | 2KJ3501 - ■ CH11 - ■ ■ E1 | |
| | 270 | 19 | 5.07 | 3 460 | 3.8 | 12 | 2KJ3501 - ■ CH11 - ■ ■ D1 | |
| | 287 | 18 | 4.78 | 3 400 | 4.0 | 12 | 2KJ3501 - ■ CH11 - ■ ■ C1 | |
| | 325 | 16 | 4.21 | 3 270 | 4.6 | 12 | 2KJ3501 - ■ CH11 - ■ ■ B1 | |
| | 375 | 14 | 3.65 | 3 130 | 5.2 | 12 | 2KJ3501 - ■ CH11 - ■ ■ A1 | |
| B.19-LA71ZML4 | | | | | | | | |
| 87 | 60 | 15.79 | 1 910 | 0.83 | 10 | 2KJ3500 - ■ CH11 - ■ ■ Q1 | | |
| 94 | 56 | 14.57 | 1 910 | 0.90 | 10 | 2KJ3500 - ■ CH11 - ■ ■ P1 | | |
| 108 | 48 | 12.66 | 1 910 | 1.0 | 10 | 2KJ3500 - ■ CH11 - ■ ■ N1 | | |
| 125 | 42 | 11.00 | 1 910 | 1.2 | 10 | 2KJ3500 - ■ CH11 - ■ ■ M1 | | |
| 138 | 38 | 9.93 | 1 910 | 1.3 | 10 | 2KJ3500 - ■ CH11 - ■ ■ L1 | | |
| 147 | 36 | 9.35 | 1 910 | 1.4 | 10 | 2KJ3500 - ■ CH11 - ■ ■ K1 | | |
| 168 | 31 | 8.15 | 1 910 | 1.5 | 10 | 2KJ3500 - ■ CH11 - ■ ■ J1 | | |
| 174 | 30 | 7.87 | 1 910 | 1.3 | 10 | 2KJ3500 - ■ CH11 - ■ ■ H1 | | |
| 196 | 27 | 6.99 | 1 910 | 1.4 | 10 | 2KJ3500 - ■ CH11 - ■ ■ G1 | | |
| 212 | 25 | 6.45 | 1 910 | 1.6 | 10 | 2KJ3500 - ■ CH11 - ■ ■ F1 | | |
| 244 | 22 | 5.61 | 1 910 | 1.7 | 10 | 2KJ3500 - ■ CH11 - ■ ■ E1 | | |
| 281 | 19 | 4.87 | 1 910 | 1.9 | 10 | 2KJ3500 - ■ CH11 - ■ ■ D1 | | |
| 311 | 17 | 4.40 | 1 910 | 2.0 | 10 | 2KJ3500 - ■ CH11 - ■ ■ C1 | | |

Article No. supplement

| | |
|-----------------------|-----------------|
| Shaft design | 1, 5, 6, 7 or 9 |
| Frequency and voltage | 2 or 9 |
| Gearbox mounting type | A, D, F or H |

→ page 10/44

→ page 11/2

→ page 10/37

Selection and ordering data (continued)

| P_{rated} kW | n_2 rpm | T_2 Nm | i - | F_{R2} N | f_B - | m kg | Article No. (Article No. supplement → below) | Order code No. of poles |
|--------------------------|----------------------|-----------------------|----------|---------------|------------|---------------------------|---|----------------------------|
| 0.55 | B.19-LA71ZML4 | | | | | | | |
| | 331 | 16 | 4.14 | 1 910 | 2.1 | 10 | 2KJ3500 - ■ CH11 - ■ ■ B1 | |
| | 380 | 14 | 3.61 | 1 910 | 2.2 | 10 | 2KJ3500 - ■ CH11 - ■ ■ A1 | |
| | B.19-LE80MB4 | | | | | | | |
| | 91 | 58 | 15.79 | 1 910 | 0.87 | 12 | 2KJ3500 - ■ DB21 - ■ ■ Q1 | |
| | 99 | 53 | 14.57 | 1 910 | 0.94 | 12 | 2KJ3500 - ■ DB21 - ■ ■ P1 | |
| | 114 | 46 | 12.66 | 1 910 | 1.1 | 12 | 2KJ3500 - ■ DB21 - ■ ■ N1 | |
| | 131 | 40 | 11.00 | 1 910 | 1.2 | 12 | 2KJ3500 - ■ DB21 - ■ ■ M1 | |
| | 145 | 36 | 9.93 | 1 910 | 1.4 | 12 | 2KJ3500 - ■ DB21 - ■ ■ L1 | |
| | 154 | 34 | 9.35 | 1 910 | 1.5 | 12 | 2KJ3500 - ■ DB21 - ■ ■ K1 | |
| | 177 | 30 | 8.15 | 1 910 | 1.6 | 12 | 2KJ3500 - ■ DB21 - ■ ■ J1 | |
| | 183 | 29 | 7.87 | 1 910 | 1.3 | 12 | 2KJ3500 - ■ DB21 - ■ ■ H1 | |
| | 206 | 26 | 6.99 | 1 910 | 1.5 | 12 | 2KJ3500 - ■ DB21 - ■ ■ G1 | |
| | 223 | 24 | 6.45 | 1 910 | 1.7 | 12 | 2KJ3500 - ■ DB21 - ■ ■ F1 | |
| | 257 | 20 | 5.61 | 1 910 | 1.8 | 12 | 2KJ3500 - ■ DB21 - ■ ■ E1 | |
| | 296 | 18 | 4.87 | 1 910 | 2.0 | 12 | 2KJ3500 - ■ DB21 - ■ ■ D1 | |
| | 327 | 16 | 4.40 | 1 910 | 2.1 | 12 | 2KJ3500 - ■ DB21 - ■ ■ C1 | |
| | 348 | 15 | 4.14 | 1 910 | 2.2 | 12 | 2KJ3500 - ■ DB21 - ■ ■ B1 | |
| | 399 | 13 | 3.61 | 1 910 | 2.4 | 12 | 2KJ3500 - ■ DB21 - ■ ■ A1 | |
| | 0.75 | K.109-LE90SQ6P | | | | | | |
| 4.3 | | 1 670 | 216.65 | 24 500 | 1.7 | 101 | 2KJ3511 - ■ EC23 - ■ ■ H2 | P01 |
| 4.7 | | 1 510 | 195.60 | 24 500 | 1.9 | 101 | 2KJ3511 - ■ EC23 - ■ ■ G2 | P01 |
| 5.2 | | 1 370 | 177.43 | 24 500 | 2.1 | 101 | 2KJ3511 - ■ EC23 - ■ ■ F2 | P01 |
| K.89-LE90SQ6P | | | | | | | | |
| 4.0 | | 1 790 | 231.80 | 18 100 | 0.89 | 64 | 2KJ3510 - ■ EC23 - ■ ■ K2 | P01 |
| 4.4 | | 1 630 | 210.72 | 18 100 | 0.98 | 64 | 2KJ3510 - ■ EC23 - ■ ■ J2 | P01 |
| 4.9 | | 1 460 | 189.01 | 18 100 | 1.1 | 64 | 2KJ3510 - ■ EC23 - ■ ■ H2 | P01 |
| 5.4 | | 1 310 | 169.94 | 18 100 | 1.2 | 64 | 2KJ3510 - ■ EC23 - ■ ■ G2 | P01 |
| K.89-LE80ZMQ4P | | | | | | | | |
| 6.3 | | 1 140 | 231.80 | 18 100 | 1.4 | 62 | 2KJ3510 - ■ DF23 - ■ ■ K2 | |
| 6.9 | | 1 040 | 210.72 | 18 100 | 1.5 | 62 | 2KJ3510 - ■ DF23 - ■ ■ J2 | |
| 7.7 | | 930 | 189.01 | 18 100 | 1.7 | 62 | 2KJ3510 - ■ DF23 - ■ ■ H2 | |
| 8.5 | | 835 | 169.94 | 18 100 | 1.9 | 62 | 2KJ3510 - ■ DF23 - ■ ■ G2 | |
| 9.4 | | 755 | 153.70 | 18 100 | 2.1 | 62 | 2KJ3510 - ■ DF23 - ■ ■ F2 | |
| K.79-LE80ZMQ4P | | | | | | | | |
| 7.7 | | 930 | 188.85 | 13 700 | 0.88 | 41 | 2KJ3508 - ■ DF23 - ■ ■ G2 | |
| 8.4 | | 845 | 171.69 | 13 900 | 0.97 | 41 | 2KJ3508 - ■ DF23 - ■ ■ F2 | |
| 9.5 | | 755 | 153.18 | 14 100 | 1.1 | 41 | 2KJ3508 - ■ DF23 - ■ ■ E2 | |
| 11 | | 675 | 137.35 | 14 200 | 1.2 | 41 | 2KJ3508 - ■ DF23 - ■ ■ D2 | |
| 12 | | 610 | 123.80 | 14 300 | 1.3 | 41 | 2KJ3508 - ■ DF23 - ■ ■ C2 | |
| 13 | | 565 | 114.28 | 14 400 | 1.5 | 41 | 2KJ3508 - ■ DF23 - ■ ■ B2 | |
| 14 | | 515 | 104.32 | 14 400 | 1.6 | 41 | 2KJ3508 - ■ DF23 - ■ ■ A2 | |
| 17 | | 425 | 86.56 | 14 400 | 1.9 | 41 | 2KJ3508 - ■ DF23 - ■ ■ X1 | |
| 18 | | 400 | 81.47 | 14 400 | 2.0 | 41 | 2KJ3508 - ■ DF23 - ■ ■ W1 | |
| 19 | | 380 | 76.94 | 14 400 | 2.2 | 41 | 2KJ3508 - ■ DF23 - ■ ■ V1 | |
| K.69-LE80ZMQ4P | | | | | | | | |
| 9.5 | | 750 | 152.00 | 9 880 | 0.80 | 36 | 2KJ3507 - ■ DF23 - ■ ■ F2 | |
| 10 | 680 | 138.18 | 10 300 | 0.88 | 36 | 2KJ3507 - ■ DF23 - ■ ■ E2 | | |

Article No. supplement

| | |
|-----------------------|------------------------|
| Shaft design | 1, 5, 6, 7 or 9 |
| Frequency and voltage | 2 or 9 |
| Gearbox mounting type | A, D, F or H |

→ page 10/44

→ page 11/2

→ page 10/37

SIMOGEAR geared motors

Bevel geared motors

Geared motors up to 55 kW

Selection and ordering data (continued)

| P_{rated} kW | n_2 rpm | T_2 Nm | i - | F_{R2} N | f_B - | m kg | Article No. (Article No. supplement → below) | Order code No. of poles |
|--------------------------|--------------|-------------|----------|---------------|------------|-----------|---|----------------------------|
| 0.75 | | | | | | | | |
| K.69-LE80ZMQ4P | | | | | | | | |
| | 12 | 605 | 123.29 | 10 800 | 0.99 | 36 | 2KJ3507 - ■ DF23 - ■ ■ D2 | |
| | 13 | 545 | 110.55 | 10 900 | 1.1 | 36 | 2KJ3507 - ■ DF23 - ■ ■ C2 | |
| | 15 | 490 | 99.64 | 11 100 | 1.2 | 36 | 2KJ3507 - ■ DF23 - ■ ■ B2 | |
| | 16 | 450 | 91.98 | 11 200 | 1.3 | 36 | 2KJ3507 - ■ DF23 - ■ ■ A2 | |
| | 17 | 415 | 83.96 | 11 200 | 1.4 | 36 | 2KJ3507 - ■ DF23 - ■ ■ X1 | |
| | 21 | 340 | 69.67 | 11 100 | 1.7 | 36 | 2KJ3507 - ■ DF23 - ■ ■ W1 | |
| K.69-LE80ZMQ4P | | | | | | | | |
| | 22 | 320 | 65.57 | 11 000 | 1.9 | 36 | 2KJ3507 - ■ DF23 - ■ ■ V1 | |
| | 23 | 305 | 61.93 | 10 800 | 2.0 | 36 | 2KJ3507 - ■ DF23 - ■ ■ U1 | |
| | 28 | 260 | 52.69 | 10 500 | 2.3 | 36 | 2KJ3507 - ■ DF23 - ■ ■ T1 | |
| K.49-LE80ZMQ4P | | | | | | | | |
| | 15 | 480 | 97.71 | 7 250 | 0.87 | 29 | 2KJ3505 - ■ DF23 - ■ ■ C2 | |
| | 16 | 435 | 88.83 | 7 260 | 0.96 | 29 | 2KJ3505 - ■ DF23 - ■ ■ B2 | |
| | 19 | 380 | 77.81 | 7 230 | 1.1 | 29 | 2KJ3505 - ■ DF23 - ■ ■ A2 | |
| | 20 | 355 | 71.82 | 7 150 | 1.2 | 29 | 2KJ3505 - ■ DF23 - ■ ■ X1 | |
| | 23 | 310 | 63.59 | 7 110 | 1.3 | 29 | 2KJ3505 - ■ DF23 - ■ ■ W1 | |
| | 27 | 260 | 52.93 | 6 930 | 1.6 | 29 | 2KJ3505 - ■ DF23 - ■ ■ V1 | |
| | 29 | 245 | 49.82 | 6 870 | 1.7 | 29 | 2KJ3505 - ■ DF23 - ■ ■ U1 | |
| | 32 | 220 | 44.63 | 6 750 | 1.9 | 29 | 2KJ3505 - ■ DF23 - ■ ■ T1 | |
| | 38 | 188 | 38.00 | 6 560 | 2.2 | 29 | 2KJ3505 - ■ DF23 - ■ ■ S1 | |
| | 45 | 161 | 32.57 | 6 360 | 2.6 | 29 | 2KJ3505 - ■ DF23 - ■ ■ R1 | |
| B.49-LE90SQ6P | | | | | | | | |
| | 16 | 455 | 59.28 | 11 200 | 0.98 | 28 | 2KJ3503 - ■ EC23 - ■ ■ C2 | P01 |
| | 17 | 415 | 53.89 | 11 200 | 1.1 | 28 | 2KJ3503 - ■ EC23 - ■ ■ B2 | P01 |
| | 20 | 355 | 45.83 | 10 900 | 1.3 | 28 | 2KJ3503 - ■ EC23 - ■ ■ A2 | P01 |
| | 22 | 320 | 41.67 | 10 700 | 1.4 | 28 | 2KJ3503 - ■ EC23 - ■ ■ X1 | P01 |
| B.49-LE80ZMQ4P | | | | | | | | |
| | 24 | 290 | 59.28 | 10 500 | 1.5 | 27 | 2KJ3503 - ■ DF23 - ■ ■ C2 | |
| | 27 | 265 | 53.89 | 10 300 | 1.7 | 27 | 2KJ3503 - ■ DF23 - ■ ■ B2 | |
| | 32 | 225 | 45.83 | 9 980 | 2.0 | 27 | 2KJ3503 - ■ DF23 - ■ ■ A2 | |
| | 35 | 205 | 41.67 | 9 760 | 2.2 | 27 | 2KJ3503 - ■ DF23 - ■ ■ X1 | |
| | 39 | 184 | 37.18 | 9 480 | 2.5 | 27 | 2KJ3503 - ■ DF23 - ■ ■ W1 | |
| | 44 | 165 | 33.33 | 9 220 | 2.7 | 27 | 2KJ3503 - ■ DF23 - ■ ■ V1 | |
| K.39-LE80ZMQ4P | | | | | | | | |
| | 26 | 270 | 55.25 | 5 890 | 0.81 | 22 | 2KJ3504 - ■ DF23 - ■ ■ X1 | |
| | 30 | 235 | 48.37 | 6 000 | 0.92 | 22 | 2KJ3504 - ■ DF23 - ■ ■ W1 | |
| | 34 | 205 | 42.41 | 5 930 | 1.1 | 22 | 2KJ3504 - ■ DF23 - ■ ■ V1 | |
| | 38 | 190 | 38.48 | 5 810 | 1.2 | 22 | 2KJ3504 - ■ DF23 - ■ ■ U1 | |
| | 40 | 179 | 36.21 | 5 760 | 1.2 | 22 | 2KJ3504 - ■ DF23 - ■ ■ T1 | |
| | 45 | 158 | 31.92 | 5 650 | 1.4 | 22 | 2KJ3504 - ■ DF23 - ■ ■ S1 | |
| | 52 | 137 | 27.70 | 5 510 | 1.6 | 22 | 2KJ3504 - ■ DF23 - ■ ■ R1 | |
| | 54 | 133 | 26.89 | 5 480 | 1.7 | 22 | 2KJ3504 - ■ DF23 - ■ ■ Q1 | |
| | 60 | 118 | 23.97 | 5 370 | 1.9 | 22 | 2KJ3504 - ■ DF23 - ■ ■ P1 | |
| | 66 | 109 | 22.12 | 5 280 | 2.0 | 22 | 2KJ3504 - ■ DF23 - ■ ■ N1 | |
| | 75 | 96 | 19.37 | 5 120 | 2.3 | 22 | 2KJ3504 - ■ DF23 - ■ ■ M1 | |
| | 85 | 84 | 16.98 | 4 970 | 2.6 | 22 | 2KJ3504 - ■ DF23 - ■ ■ L1 | |
| | 94 | 76 | 15.41 | 4 860 | 2.9 | 22 | 2KJ3504 - ■ DF23 - ■ ■ K1 | |

Article No. supplement

Shaft design

1, 5, 6, 7 or 9

Frequency and voltage

2 or 9

Gearbox mounting type

A, D, F or H

→ page 10/44

→ page 11/2

→ page 10/37

Selection and ordering data (continued)

| P_{rated} kW | n_2 rpm | T_2 Nm | i - | F_{R2} N | f_B - | m kg | Article No. (Article No. supplement → below) | Order code No. of poles |
|--------------------------|-----------------------|-------------|----------|---------------|------------|--|---|----------------------------|
| 0.75 | K.39-LE80ZMQ4P | | | | | | | |
| | 100 | 72 | 14.50 | 4 790 | 3.1 | 22 | 2KJ3504 - ■ DF23 - ■ ■ J1 | |
| | 113 | 63 | 12.78 | 4 650 | 3.5 | 22 | 2KJ3504 - ■ DF23 - ■ ■ H1 | |
| | 144 | 50 | 10.04 | 4 290 | 3.7 | 22 | 2KJ3504 - ■ DF23 - ■ ■ F1 | |
| | B.39-LE80ZMQ4P | | | | | | | |
| | 29 | 245 | 50.11 | 6 980 | 0.85 | 21 | 2KJ3502 - ■ DF23 - ■ ■ X1 | |
| | 33 | 215 | 44.00 | 6 980 | 1.2 | 21 | 2KJ3502 - ■ DF23 - ■ ■ W1 | |
| | 36 | 198 | 40.00 | 6 980 | 1.2 | 21 | 2KJ3502 - ■ DF23 - ■ ■ V1 | |
| | 42 | 169 | 34.22 | 6 980 | 1.5 | 21 | 2KJ3502 - ■ DF23 - ■ ■ U1 | |
| | 47 | 154 | 31.11 | 6 980 | 1.6 | 21 | 2KJ3502 - ■ DF23 - ■ ■ T1 | |
| | 53 | 136 | 27.50 | 6 980 | 1.8 | 21 | 2KJ3502 - ■ DF23 - ■ ■ S1 | |
| | 58 | 123 | 25.00 | 6 980 | 2.0 | 21 | 2KJ3502 - ■ DF23 - ■ ■ R1 | |
| | 66 | 108 | 21.90 | 6 980 | 2.3 | 21 | 2KJ3502 - ■ DF23 - ■ ■ Q1 | |
| | 72 | 100 | 20.21 | 6 980 | 2.5 | 21 | 2KJ3502 - ■ DF23 - ■ ■ P1 | |
| | 81 | 88 | 17.90 | 6 980 | 2.8 | 21 | 2KJ3502 - ■ DF23 - ■ ■ N1 | |
| | 97 | 74 | 14.90 | 6 980 | 3.4 | 21 | 2KJ3502 - ■ DF23 - ■ ■ M1 | |
| | B.29-LE80ZMQ4P | | | | | | | |
| | 57 | 126 | 25.56 | 4 050 | 0.87 | 16 | 2KJ3501 - ■ DF23 - ■ ■ U1 | |
| | 65 | 111 | 22.41 | 4 130 | 0.99 | 16 | 2KJ3501 - ■ DF23 - ■ ■ T1 | |
| | 72 | 99 | 20.00 | 4 190 | 1.1 | 16 | 2KJ3501 - ■ DF23 - ■ ■ S1 | |
| | 81 | 88 | 17.82 | 4 200 | 1.2 | 16 | 2KJ3501 - ■ DF23 - ■ ■ R1 | |
| | 88 | 81 | 16.45 | 4 200 | 1.4 | 16 | 2KJ3501 - ■ DF23 - ■ ■ Q1 | |
| | 101 | 71 | 14.40 | 4 200 | 1.5 | 16 | 2KJ3501 - ■ DF23 - ■ ■ P1 | |
| | 115 | 62 | 12.63 | 4 200 | 1.8 | 16 | 2KJ3501 - ■ DF23 - ■ ■ N1 | |
| | 127 | 57 | 11.46 | 4 140 | 1.9 | 16 | 2KJ3501 - ■ DF23 - ■ ■ M1 | |
| | 135 | 53 | 10.78 | 4 090 | 2.1 | 16 | 2KJ3501 - ■ DF23 - ■ ■ L1 | |
| | 152 | 47 | 9.51 | 3 950 | 2.3 | 16 | 2KJ3501 - ■ DF23 - ■ ■ K1 | |
| | 176 | 41 | 8.25 | 3 810 | 2.7 | 16 | 2KJ3501 - ■ DF23 - ■ ■ J1 | |
| | 185 | 39 | 7.84 | 3 720 | 1.9 | 16 | 2KJ3501 - ■ DF23 - ■ ■ H1 | |
| | 196 | 36 | 7.38 | 3 660 | 2.1 | 16 | 2KJ3501 - ■ DF23 - ■ ■ G1 | |
| | 223 | 32 | 6.51 | 3 540 | 2.3 | 16 | 2KJ3501 - ■ DF23 - ■ ■ F1 | |
| | 257 | 28 | 5.65 | 3 400 | 2.7 | 16 | 2KJ3501 - ■ DF23 - ■ ■ E1 | |
| | 286 | 25 | 5.07 | 3 340 | 3.0 | 16 | 2KJ3501 - ■ DF23 - ■ ■ D1 | |
| | 303 | 24 | 4.78 | 3 270 | 3.1 | 16 | 2KJ3501 - ■ DF23 - ■ ■ C1 | |
| | 344 | 21 | 4.21 | 3 160 | 3.6 | 16 | 2KJ3501 - ■ DF23 - ■ ■ B1 | |
| | 397 | 18 | 3.65 | 3 030 | 4.0 | 16 | 2KJ3501 - ■ DF23 - ■ ■ A1 | |
| B.19-LE80ZMQ4P | | | | | | | | |
| 115 | 62 | 12.66 | 1 910 | 0.80 | 14 | 2KJ3500 - ■ DF23 - ■ ■ N1 | | |
| 132 | 54 | 11.00 | 1 910 | 0.92 | 14 | 2KJ3500 - ■ DF23 - ■ ■ M1 | | |
| 146 | 49 | 9.93 | 1 910 | 1.0 | 14 | 2KJ3500 - ■ DF23 - ■ ■ L1 | | |
| 155 | 46 | 9.35 | 1 910 | 1.1 | 14 | 2KJ3500 - ■ DF23 - ■ ■ K1 | | |
| 178 | 40 | 8.15 | 1 910 | 1.2 | 14 | 2KJ3500 - ■ DF23 - ■ ■ J1 | | |
| 184 | 39 | 7.87 | 1 910 | 0.98 | 14 | 2KJ3500 - ■ DF23 - ■ ■ H1 | | |
| 207 | 34 | 6.99 | 1 910 | 1.1 | 14 | 2KJ3500 - ■ DF23 - ■ ■ G1 | | |
| 225 | 32 | 6.45 | 1 910 | 1.2 | 14 | 2KJ3500 - ■ DF23 - ■ ■ F1 | | |
| 258 | 28 | 5.61 | 1 910 | 1.3 | 14 | 2KJ3500 - ■ DF23 - ■ ■ E1 | | |
| 298 | 24 | 4.87 | 1 910 | 1.5 | 14 | 2KJ3500 - ■ DF23 - ■ ■ D1 | | |
| 330 | 22 | 4.40 | 1 910 | 1.6 | 14 | 2KJ3500 - ■ DF23 - ■ ■ C1 | | |

Article No. supplement

| | |
|-----------------------|------------------------|
| Shaft design | 1, 5, 6, 7 or 9 |
| Frequency and voltage | 2 or 9 |
| Gearbox mounting type | A, D, F or H |

→ page 10/44

→ page 11/2

→ page 10/37

SIMOGEAR geared motors

Bevel geared motors

Geared motors up to 55 kW

Selection and ordering data (continued)

| P_{rated} kW | n_2 rpm | T_2 Nm | i - | F_{R2} N | f_B - | m kg | Article No. (Article No. supplement → below) | Order code No. of poles |
|--------------------------|------------------------|-------------|----------|---------------|------------|---------------------------|---|----------------------------|
| 0.75 | B.19-LE80ZMQ4P | | | | | | | |
| | 350 | 20 | 4.14 | 1 910 | 1.6 | 14 | 2KJ3500 - ■ DF23 - ■ ■ B1 | |
| | 402 | 18 | 3.61 | 1 910 | 1.7 | 14 | 2KJ3500 - ■ DF23 - ■ ■ A1 | |
| 1.1 | K.129-LE90ZLR6P | | | | | | | |
| | 4.1 | 2 560 | 228.30 | 39 400 | 1.7 | 154 | 2KJ3512 - ■ EM23 - ■ ■ J2 | P01 |
| | 4.4 | 2 360 | 210.74 | 39 600 | 1.9 | 154 | 2KJ3512 - ■ EM23 - ■ ■ H2 | P01 |
| | 4.8 | 2 180 | 194.04 | 39 800 | 2.0 | 154 | 2KJ3512 - ■ EM23 - ■ ■ G2 | P01 |
| | K.109-LE90ZLR6P | | | | | | | |
| | 4.3 | 2 430 | 216.65 | 24 500 | 1.2 | 104 | 2KJ3511 - ■ EM23 - ■ ■ H2 | P01 |
| | 4.8 | 2 190 | 195.60 | 24 500 | 1.3 | 104 | 2KJ3511 - ■ EM23 - ■ ■ G2 | P01 |
| | 5.3 | 1 990 | 177.43 | 24 500 | 1.5 | 104 | 2KJ3511 - ■ EM23 - ■ ■ F2 | P01 |
| | 5.7 | 1 840 | 163.78 | 24 500 | 1.6 | 104 | 2KJ3511 - ■ EM23 - ■ ■ E2 | P01 |
| | 6.3 | 1 670 | 148.88 | 24 500 | 1.7 | 104 | 2KJ3511 - ■ EM23 - ■ ■ D2 | P01 |
| | K.109-LE90SM4P | | | | | | | |
| | 6.6 | 1 590 | 216.65 | 24 500 | 1.8 | 101 | 2KJ3511 - ■ EK23 - ■ ■ H2 | |
| | 7.3 | 1 440 | 195.60 | 24 500 | 2.0 | 101 | 2KJ3511 - ■ EK23 - ■ ■ G2 | |
| | K.89-LE90ZLR6P | | | | | | | |
| | 5.5 | 1 900 | 169.94 | 18 100 | 0.84 | 67 | 2KJ3510 - ■ EM23 - ■ ■ G2 | P01 |
| | K.89-LE90SM4P | | | | | | | |
| | 6.1 | 1 700 | 231.80 | 18 100 | 0.94 | 64 | 2KJ3510 - ■ EK23 - ■ ■ K2 | |
| | 6.8 | 1 550 | 210.72 | 18 100 | 1.0 | 64 | 2KJ3510 - ■ EK23 - ■ ■ J2 | |
| | 7.5 | 1 390 | 189.01 | 18 100 | 1.1 | 64 | 2KJ3510 - ■ EK23 - ■ ■ H2 | |
| | 8.4 | 1 250 | 169.94 | 18 100 | 1.3 | 64 | 2KJ3510 - ■ EK23 - ■ ■ G2 | |
| | 9.3 | 1 130 | 153.70 | 18 100 | 1.4 | 64 | 2KJ3510 - ■ EK23 - ■ ■ F2 | |
| 10 | 1 040 | 141.88 | 18 100 | 1.5 | 64 | 2KJ3510 - ■ EK23 - ■ ■ E2 | | |
| 11 | 955 | 129.96 | 18 100 | 1.7 | 64 | 2KJ3510 - ■ EK23 - ■ ■ D2 | | |
| 13 | 800 | 109.04 | 18 100 | 2.0 | 64 | 2KJ3510 - ■ EK23 - ■ ■ C2 | | |
| 14 | 755 | 102.63 | 18 100 | 2.1 | 64 | 2KJ3510 - ■ EK23 - ■ ■ B2 | | |
| K.79-LE90SM4P | | | | | | | | |
| 10 | 1 010 | 137.35 | 13 600 | 0.81 | 42 | 2KJ3508 - ■ EK23 - ■ ■ D2 | | |
| 12 | 840 | 114.28 | 13 900 | 0.97 | 42 | 2KJ3508 - ■ EK23 - ■ ■ B2 | | |
| 12 | 910 | 123.80 | 13 700 | 0.90 | 42 | 2KJ3508 - ■ EK23 - ■ ■ C2 | | |
| 14 | 765 | 104.32 | 14 000 | 1.1 | 42 | 2KJ3508 - ■ EK23 - ■ ■ A2 | | |
| 16 | 635 | 86.56 | 14 300 | 1.3 | 42 | 2KJ3508 - ■ EK23 - ■ ■ X1 | | |
| 17 | 600 | 81.47 | 14 400 | 1.4 | 42 | 2KJ3508 - ■ EK23 - ■ ■ W1 | | |
| 19 | 565 | 76.94 | 14 400 | 1.4 | 42 | 2KJ3508 - ■ EK23 - ■ ■ V1 | | |
| 22 | 480 | 65.47 | 14 400 | 1.7 | 42 | 2KJ3508 - ■ EK23 - ■ ■ U1 | | |
| 25 | 410 | 56.08 | 14 400 | 2.0 | 42 | 2KJ3508 - ■ EK23 - ■ ■ T1 | | |
| 29 | 360 | 49.31 | 14 400 | 2.3 | 42 | 2KJ3508 - ■ EK23 - ■ ■ S1 | | |
| 34 | 305 | 41.60 | 14 400 | 2.6 | 42 | 2KJ3508 - ■ EK23 - ■ ■ R1 | | |
| K.69-LE90SM4P | | | | | | | | |
| 14 | 735 | 99.64 | 9 990 | 0.82 | 37 | 2KJ3507 - ■ EK23 - ■ ■ B2 | | |
| 15 | 675 | 91.98 | 10 100 | 0.88 | 37 | 2KJ3507 - ■ EK23 - ■ ■ A2 | | |
| 17 | 615 | 83.96 | 10 100 | 0.97 | 37 | 2KJ3507 - ■ EK23 - ■ ■ X1 | | |
| 20 | 510 | 69.67 | 10 000 | 1.2 | 37 | 2KJ3507 - ■ EK23 - ■ ■ W1 | | |
| 22 | 480 | 65.57 | 9 960 | 1.2 | 37 | 2KJ3507 - ■ EK23 - ■ ■ V1 | | |
| 23 | 455 | 61.93 | 9 890 | 1.3 | 37 | 2KJ3507 - ■ EK23 - ■ ■ U1 | | |
| 27 | 385 | 52.69 | 9 700 | 1.5 | 37 | 2KJ3507 - ■ EK23 - ■ ■ T1 | | |
| 32 | 330 | 45.14 | 9 470 | 1.8 | 37 | 2KJ3507 - ■ EK23 - ■ ■ S1 | | |

Article No. supplement

Shaft design

1, 5, 6, 7 or 9

Frequency and voltage

2 or 9

Gearbox mounting type

A, D, F or H

→ page 10/44

→ page 11/2

→ page 10/37

Selection and ordering data (continued)

| P_{rated} kW | n_2 rpm | T_2 Nm | i - | F_{R2} N | f_B - | m kg | Article No. (Article No. supplement → below) | Order code No. of poles |
|--------------------------|--------------|-------------|----------|---------------|------------|-----------|---|----------------------------|
| 1.1 | | | | | | | | |
| K.69-LE90SM4P | | | | | | | | |
| | 36 | 290 | 39.69 | 9 260 | 2.1 | 37 | 2KJ3507 - ■ EK23 - ■ ■ R1 | |
| | 43 | 245 | 33.48 | 8 950 | 2.3 | 37 | 2KJ3507 - ■ EK23 - ■ ■ Q1 | |
| | 49 | 215 | 29.18 | 8 690 | 2.6 | 37 | 2KJ3507 - ■ EK23 - ■ ■ P1 | |
| K.49-LE90SM4P | | | | | | | | |
| | 22 | 465 | 63.59 | 5 960 | 0.90 | 30 | 2KJ3505 - ■ EK23 - ■ ■ W1 | |
| | 27 | 390 | 52.93 | 5 970 | 1.1 | 30 | 2KJ3505 - ■ EK23 - ■ ■ V1 | |
| | 29 | 365 | 49.82 | 5 980 | 1.1 | 30 | 2KJ3505 - ■ EK23 - ■ ■ U1 | |
| | 32 | 325 | 44.63 | 5 980 | 1.3 | 30 | 2KJ3505 - ■ EK23 - ■ ■ T1 | |
| | 38 | 280 | 38.00 | 5 890 | 1.5 | 30 | 2KJ3505 - ■ EK23 - ■ ■ S1 | |
| | 44 | 240 | 32.57 | 5 790 | 1.7 | 30 | 2KJ3505 - ■ EK23 - ■ ■ R1 | |
| | 51 | 205 | 28.05 | 5 690 | 2.0 | 30 | 2KJ3505 - ■ EK23 - ■ ■ Q1 | |
| | 54 | 194 | 26.30 | 5 620 | 2.2 | 30 | 2KJ3505 - ■ EK23 - ■ ■ P1 | |
| | 61 | 172 | 23.28 | 5 510 | 2.4 | 30 | 2KJ3505 - ■ EK23 - ■ ■ N1 | |
| | 74 | 143 | 19.38 | 5 330 | 2.9 | 30 | 2KJ3505 - ■ EK23 - ■ ■ M1 | |
| | 78 | 134 | 18.24 | 5 270 | 3.1 | 30 | 2KJ3505 - ■ EK23 - ■ ■ L1 | |
| | 146 | 72 | 9.75 | 4 530 | 3.8 | 30 | 2KJ3505 - ■ EK23 - ■ ■ F1 | |
| | 155 | 68 | 9.18 | 4 460 | 4.0 | 30 | 2KJ3505 - ■ EK23 - ■ ■ E1 | |
| | 173 | 61 | 8.22 | 4 330 | 4.2 | 30 | 2KJ3505 - ■ EK23 - ■ ■ D1 | |
| B.49-LE90ZLR6P | | | | | | | | |
| | 20 | 515 | 45.83 | 9 860 | 0.87 | 31 | 2KJ3503 - ■ EM23 - ■ ■ A2 | P01 |
| | 22 | 465 | 41.67 | 9 780 | 0.96 | 31 | 2KJ3503 - ■ EM23 - ■ ■ X1 | P01 |
| B.49-LE90SM4P | | | | | | | | |
| | 24 | 435 | 59.28 | 9 680 | 1.0 | 28 | 2KJ3503 - ■ EK23 - ■ ■ C2 | |
| | 26 | 395 | 53.89 | 9 560 | 1.1 | 28 | 2KJ3503 - ■ EK23 - ■ ■ B2 | |
| | 31 | 335 | 45.83 | 9 320 | 1.3 | 28 | 2KJ3503 - ■ EK23 - ■ ■ A2 | |
| | 34 | 305 | 41.67 | 9 150 | 1.5 | 28 | 2KJ3503 - ■ EK23 - ■ ■ X1 | |
| | 38 | 270 | 37.18 | 8 970 | 1.6 | 28 | 2KJ3503 - ■ EK23 - ■ ■ W1 | |
| | 43 | 245 | 33.33 | 8 750 | 1.8 | 28 | 2KJ3503 - ■ EK23 - ■ ■ V1 | |
| | 47 | 220 | 30.05 | 8 560 | 2.0 | 28 | 2KJ3503 - ■ EK23 - ■ ■ U1 | |
| | 51 | 200 | 27.74 | 8 430 | 2.2 | 28 | 2KJ3503 - ■ EK23 - ■ ■ T1 | |
| | 56 | 187 | 25.32 | 8 230 | 2.4 | 28 | 2KJ3503 - ■ EK23 - ■ ■ S1 | |
| | 68 | 155 | 21.01 | 7 870 | 2.9 | 28 | 2KJ3503 - ■ EK23 - ■ ■ R1 | |
| | 72 | 146 | 19.77 | 7 750 | 3.1 | 28 | 2KJ3503 - ■ EK23 - ■ ■ Q1 | |
| K.39-LE90SM4P | | | | | | | | |
| | 39 | 265 | 36.21 | 5 030 | 0.82 | 24 | 2KJ3504 - ■ EK23 - ■ ■ T1 | |
| | 45 | 235 | 31.92 | 4 990 | 0.93 | 24 | 2KJ3504 - ■ EK23 - ■ ■ S1 | |
| | 51 | 200 | 27.70 | 4 980 | 1.1 | 24 | 2KJ3504 - ■ EK23 - ■ ■ R1 | |
| | 53 | 198 | 26.89 | 4 930 | 1.1 | 24 | 2KJ3504 - ■ EK23 - ■ ■ Q1 | |
| | 59 | 177 | 23.97 | 4 870 | 1.2 | 24 | 2KJ3504 - ■ EK23 - ■ ■ P1 | |
| | 64 | 163 | 22.12 | 4 820 | 1.3 | 24 | 2KJ3504 - ■ EK23 - ■ ■ N1 | |
| | 74 | 143 | 19.37 | 4 730 | 1.5 | 24 | 2KJ3504 - ■ EK23 - ■ ■ M1 | |
| | 84 | 125 | 16.98 | 4 640 | 1.8 | 24 | 2KJ3504 - ■ EK23 - ■ ■ L1 | |
| | 92 | 114 | 15.41 | 4 550 | 1.9 | 24 | 2KJ3504 - ■ EK23 - ■ ■ K1 | |
| | 98 | 107 | 14.50 | 4 500 | 2.1 | 24 | 2KJ3504 - ■ EK23 - ■ ■ J1 | |
| | 112 | 94 | 12.78 | 4 400 | 2.3 | 24 | 2KJ3504 - ■ EK23 - ■ ■ H1 | |
| | 128 | 82 | 11.09 | 4 260 | 2.7 | 24 | 2KJ3504 - ■ EK23 - ■ ■ G1 | |
| | 142 | 74 | 10.04 | 4 070 | 2.5 | 24 | 2KJ3504 - ■ EK23 - ■ ■ F1 | |

Article No. supplement

Shaft design

1, 5, 6, 7 or 9

Frequency and voltage

2 or 9

Gearbox mounting type

A, D, F or H

→ page 10/44

→ page 11/2

→ page 10/37

SIMOGEAR geared motors

Bevel geared motors

Geared motors up to 55 kW

Selection and ordering data (continued)

| P_{rated} kW | n_2 rpm | T_2 Nm | i - | F_{R2} N | f_B - | m kg | Article No. (Article No. supplement → below) | Order code No. of poles |
|--------------------------|--------------|-------------|----------|---------------|------------|-------------------------------|---|----------------------------|
| 1.1 | | | | | | | | |
| K.39-LE90SM4P | | | | | | | | |
| 162 | 65 | 8.81 | 3 950 | 2.8 | 24 | 2KJ3504 - ■ EK23 - ■ ■ E1 | | |
| 178 | 59 | 7.99 | 3 870 | 3.0 | 24 | 2KJ3504 - ■ EK23 - ■ ■ D1 | | |
| 189 | 55 | 7.52 | 3 820 | 3.1 | 24 | 2KJ3504 - ■ EK23 - ■ ■ C1 | | |
| 215 | 49 | 6.63 | 3 700 | 3.3 | 24 | 2KJ3504 - ■ EK23 - ■ ■ B1 | | |
| 248 | 42 | 5.75 | 3 580 | 3.5 | 24 | 2KJ3504 - ■ EK23 - ■ ■ A1 | | |
| B.39-LE90SM4P | | | | | | | | |
| 42 | 250 | 34.22 | 6 980 | 0.99 | 23 | 2KJ3502 - ■ EK23 - ■ ■ U1 | | |
| 46 | 225 | 31.11 | 6 980 | 1.1 | 23 | 2KJ3502 - ■ EK23 - ■ ■ T1 | | |
| 52 | 200 | 27.50 | 6 980 | 1.2 | 23 | 2KJ3502 - ■ EK23 - ■ ■ S1 | | |
| 57 | 184 | 25.00 | 6 980 | 1.4 | 23 | 2KJ3502 - ■ EK23 - ■ ■ R1 | | |
| 65 | 161 | 21.90 | 6 980 | 1.5 | 23 | 2KJ3502 - ■ EK23 - ■ ■ Q1 | | |
| 71 | 149 | 20.21 | 6 980 | 1.7 | 23 | 2KJ3502 - ■ EK23 - ■ ■ P1 | | |
| 80 | 132 | 17.90 | 6 980 | 1.9 | 23 | 2KJ3502 - ■ EK23 - ■ ■ N1 | | |
| 96 | 110 | 14.90 | 6 800 | 2.3 | 23 | 2KJ3502 - ■ EK23 - ■ ■ M1 | | |
| 102 | 103 | 14.02 | 6 710 | 2.4 | 23 | 2KJ3502 - ■ EK23 - ■ ■ L1 | | |
| 113 | 93 | 12.56 | 6 510 | 2.7 | 23 | 2KJ3502 - ■ EK23 - ■ ■ K1 | | |
| 133 | 79 | 10.69 | 6 240 | 3.0 | 23 | 2KJ3502 - ■ EK23 - ■ ■ J1 | | |
| 155 | 68 | 9.17 | 5 980 | 3.4 | 23 | 2KJ3502 - ■ EK23 - ■ ■ H1 | | |
| 181 | 58 | 7.89 | 5 740 | 3.8 | 23 | 2KJ3502 - ■ EK23 - ■ ■ G1 | | |
| 216 | 49 | 6.60 | 5 490 | 4.1 | 23 | 2KJ3502 - ■ EK23 - ■ ■ F1 | | |
| 229 | 46 | 6.21 | 5 400 | 4.4 | 23 | 2KJ3502 - ■ EK23 - ■ ■ E1 | | |
| B.29-LE90SM4P | | | | | | | | |
| 80 | 131 | 17.82 | 4 030 | 0.84 | 18 | 2KJ3501 - ■ EK23 - ■ ■ R1 | | |
| 87 | 121 | 16.45 | 4 080 | 0.91 | 18 | 2KJ3501 - ■ EK23 - ■ ■ Q1 | | |
| 99 | 106 | 14.40 | 4 090 | 1.0 | 18 | 2KJ3501 - ■ EK23 - ■ ■ P1 | | |
| 113 | 93 | 12.63 | 3 990 | 1.2 | 18 | 2KJ3501 - ■ EK23 - ■ ■ N1 | | |
| 124 | 84 | 11.46 | 3 920 | 1.3 | 18 | 2KJ3501 - ■ EK23 - ■ ■ M1 | | |
| 132 | 80 | 10.78 | 3 860 | 1.4 | 18 | 2KJ3501 - ■ EK23 - ■ ■ L1 | | |
| 150 | 70 | 9.51 | 3 760 | 1.6 | 18 | 2KJ3501 - ■ EK23 - ■ ■ K1 | | |
| 173 | 61 | 8.25 | 3 640 | 1.8 | 18 | 2KJ3501 - ■ EK23 - ■ ■ J1 | | |
| 182 | 58 | 7.84 | 3 550 | 1.3 | 18 | 2KJ3501 - ■ EK23 - ■ ■ H1 | | |
| 193 | 54 | 7.38 | 3 500 | 1.4 | 18 | 2KJ3501 - ■ EK23 - ■ ■ G1 | | |
| 219 | 48 | 6.51 | 3 400 | 1.6 | 18 | 2KJ3501 - ■ EK23 - ■ ■ F1 | | |
| 252 | 42 | 5.65 | 3 280 | 1.8 | 18 | 2KJ3501 - ■ EK23 - ■ ■ E1 | | |
| 281 | 37 | 5.07 | 3 250 | 2.0 | 18 | 2KJ3501 - ■ EK23 - ■ ■ D1 | | |
| 298 | 35 | 4.78 | 3 200 | 2.1 | 18 | 2KJ3501 - ■ EK23 - ■ ■ C1 | | |
| 338 | 31 | 4.21 | 3 090 | 2.4 | 18 | 2KJ3501 - ■ EK23 - ■ ■ B1 | | |
| 390 | 27 | 3.65 | 2 970 | 2.7 | 18 | 2KJ3501 - ■ EK23 - ■ ■ A1 | | |
| 1.5 | | | | | | | | |
| K.129-LE100LLB6P | | | | | | | | |
| 4.2 | 3 370 | 228.30 | 38 600 | 1.3 | 167 | 2KJ3512 - ■ FM23 - ■ ■ J2 P01 | | |
| 4.6 | 3 110 | 210.74 | 38 900 | 1.4 | 167 | 2KJ3512 - ■ FM23 - ■ ■ H2 P01 | | |
| 5.0 | 2 860 | 194.04 | 39 100 | 1.5 | 167 | 2KJ3512 - ■ FM23 - ■ ■ G2 P01 | | |
| 5.9 | 2 440 | 165.47 | 39 500 | 1.8 | 167 | 2KJ3512 - ■ FM23 - ■ ■ F2 P01 | | |
| K.129-LE90ZLR4P | | | | | | | | |
| 6.3 | 2 260 | 228.30 | 39 700 | 1.9 | 154 | 2KJ3512 - ■ EM23 - ■ ■ J2 | | |
| 6.9 | 2 080 | 210.74 | 39 900 | 2.1 | 154 | 2KJ3512 - ■ EM23 - ■ ■ H2 | | |

Article No. supplement

Shaft design

1, 5, 6, 7 or 9

Frequency and voltage

2 or 9

Gearbox mounting type

A, D, F or H

→ page 10/44

→ page 11/2

→ page 10/37

Selection and ordering data (continued)

| P_{rated} kW | n_2 rpm | T_2 Nm | i - | F_{R2} N | f_B - | m kg | Article No. (Article No. supplement → below) | Order code No. of poles |
|--------------------------|-------------------------|-------------|----------|---------------|------------|---------------------------|---|----------------------------|
| 1.5 | K.109-LE100LLB6P | | | | | | | |
| | 4.5 | 3 190 | 216.65 | 24 500 | 0.91 | 116 | 2KJ3511 - ■ FM23 - ■ ■ H2 | P01 |
| | 5.0 | 2 880 | 195.60 | 24 500 | 1.0 | 116 | 2KJ3511 - ■ FM23 - ■ ■ G2 | P01 |
| | 5.5 | 2 620 | 177.43 | 24 500 | 1.1 | 116 | 2KJ3511 - ■ FM23 - ■ ■ F2 | P01 |
| | 5.9 | 2 410 | 163.78 | 24 500 | 1.2 | 116 | 2KJ3511 - ■ FM23 - ■ ■ E2 | P01 |
| | K.109-LE90ZLR4P | | | | | | | |
| | 6.7 | 2 140 | 216.65 | 24 500 | 1.4 | 104 | 2KJ3511 - ■ EM23 - ■ ■ H2 | |
| | 7.4 | 1 930 | 195.60 | 24 500 | 1.5 | 104 | 2KJ3511 - ■ EM23 - ■ ■ G2 | |
| | 8.1 | 1 750 | 177.43 | 24 500 | 1.6 | 104 | 2KJ3511 - ■ EM23 - ■ ■ F2 | |
| | 8.8 | 1 620 | 163.78 | 24 500 | 1.8 | 104 | 2KJ3511 - ■ EM23 - ■ ■ E2 | |
| 9.7 | 1 470 | 148.88 | 24 500 | 2.0 | 104 | 2KJ3511 - ■ EM23 - ■ ■ D2 | | |
| K.89-LE90ZLR4P | | | | | | | | |
| 7.6 | 1 870 | 189.01 | 18 100 | 0.85 | 67 | 2KJ3510 - ■ EM23 - ■ ■ H2 | | |
| 8.5 | 1 680 | 169.94 | 18 100 | 0.95 | 67 | 2KJ3510 - ■ EM23 - ■ ■ G2 | | |
| 9.4 | 1 520 | 153.70 | 18 100 | 1.1 | 67 | 2KJ3510 - ■ EM23 - ■ ■ F2 | | |
| 10 | 1 400 | 141.88 | 18 100 | 1.1 | 67 | 2KJ3510 - ■ EM23 - ■ ■ E2 | | |
| 11 | 1 280 | 129.96 | 18 100 | 1.2 | 67 | 2KJ3510 - ■ EM23 - ■ ■ D2 | | |
| 13 | 1 080 | 109.04 | 18 100 | 1.5 | 67 | 2KJ3510 - ■ EM23 - ■ ■ C2 | | |
| 14 | 1 010 | 102.63 | 18 100 | 1.6 | 67 | 2KJ3510 - ■ EM23 - ■ ■ B2 | | |
| 15 | 930 | 94.16 | 18 100 | 1.7 | 67 | 2KJ3510 - ■ EM23 - ■ ■ A2 | | |
| 18 | 815 | 82.25 | 18 100 | 2.0 | 67 | 2KJ3510 - ■ EM23 - ■ ■ X1 | | |
| 20 | 730 | 73.64 | 18 100 | 2.2 | 67 | 2KJ3510 - ■ EM23 - ■ ■ W1 | | |
| K.79-LE90ZLR4P | | | | | | | | |
| 17 | 855 | 86.56 | 13 900 | 0.96 | 45 | 2KJ3508 - ■ EM23 - ■ ■ X1 | | |
| 18 | 805 | 81.47 | 14 000 | 1.0 | 45 | 2KJ3508 - ■ EM23 - ■ ■ W1 | | |
| 19 | 760 | 76.94 | 14 000 | 1.1 | 45 | 2KJ3508 - ■ EM23 - ■ ■ V1 | | |
| 22 | 645 | 65.47 | 14 300 | 1.3 | 45 | 2KJ3508 - ■ EM23 - ■ ■ U1 | | |
| 26 | 555 | 56.08 | 14 400 | 1.5 | 45 | 2KJ3508 - ■ EM23 - ■ ■ T1 | | |
| 29 | 485 | 49.31 | 14 400 | 1.7 | 45 | 2KJ3508 - ■ EM23 - ■ ■ S1 | | |
| 35 | 410 | 41.60 | 14 400 | 1.9 | 45 | 2KJ3508 - ■ EM23 - ■ ■ R1 | | |
| 40 | 355 | 36.26 | 14 400 | 2.1 | 45 | 2KJ3508 - ■ EM23 - ■ ■ Q1 | | |
| 44 | 325 | 32.78 | 14 400 | 2.5 | 45 | 2KJ3508 - ■ EM23 - ■ ■ P1 | | |
| K.69-LE90ZLR4P | | | | | | | | |
| 21 | 690 | 69.67 | 8 680 | 0.87 | 40 | 2KJ3507 - ■ EM23 - ■ ■ W1 | | |
| 22 | 650 | 65.57 | 8 690 | 0.92 | 40 | 2KJ3507 - ■ EM23 - ■ ■ V1 | | |
| 23 | 610 | 61.93 | 8 720 | 0.98 | 40 | 2KJ3507 - ■ EM23 - ■ ■ U1 | | |
| 27 | 520 | 52.69 | 8 680 | 1.1 | 40 | 2KJ3507 - ■ EM23 - ■ ■ T1 | | |
| 32 | 445 | 45.14 | 8 590 | 1.3 | 40 | 2KJ3507 - ■ EM23 - ■ ■ S1 | | |
| 36 | 390 | 39.69 | 8 490 | 1.5 | 40 | 2KJ3507 - ■ EM23 - ■ ■ R1 | | |
| 43 | 330 | 33.48 | 8 300 | 1.7 | 40 | 2KJ3507 - ■ EM23 - ■ ■ Q1 | | |
| 50 | 285 | 29.18 | 8 140 | 1.9 | 40 | 2KJ3507 - ■ EM23 - ■ ■ P1 | | |
| 55 | 255 | 26.05 | 7 980 | 2.3 | 40 | 2KJ3507 - ■ EM23 - ■ ■ N1 | | |
| 59 | 240 | 24.52 | 7 890 | 2.4 | 40 | 2KJ3507 - ■ EM23 - ■ ■ M1 | | |
| 62 | 225 | 23.15 | 7 810 | 2.5 | 40 | 2KJ3507 - ■ EM23 - ■ ■ L1 | | |
| 73 | 195 | 19.70 | 7 530 | 2.8 | 40 | 2KJ3507 - ■ EM23 - ■ ■ K1 | | |
| 86 | 167 | 16.88 | 7 280 | 3.2 | 40 | 2KJ3507 - ■ EM23 - ■ ■ J1 | | |
| 97 | 147 | 14.84 | 7 070 | 3.5 | 40 | 2KJ3507 - ■ EM23 - ■ ■ H1 | | |
| 155 | 93 | 9.34 | 6 130 | 4.0 | 40 | 2KJ3507 - ■ EM23 - ■ ■ E1 | | |

Article No. supplement

| | |
|-----------------------|------------------------|
| Shaft design | 1, 5, 6, 7 or 9 |
| Frequency and voltage | 2 or 9 |
| Gearbox mounting type | A, D, F or H |

→ page 10/44

→ page 11/2

→ page 10/37

SIMOGEAR geared motors

Bevel geared motors

Geared motors up to 55 kW

Selection and ordering data (continued)

| P_{rated} kW | n_2 rpm | T_2 Nm | i - | F_{R2} N | f_B - | m kg | Article No. (Article No. supplement → below) | Order code No. of poles |
|--------------------------|--------------|-------------|----------|---------------|------------|-----------|---|----------------------------|
| 1.5 | | | | | | | | |
| K.49-LE90ZLR4P | | | | | | | | |
| | 27 | 525 | 52.93 | 4 880 | 0.80 | 33 | 2KJ3505 - ■ EM23 - ■ ■ V1 | |
| | 29 | 490 | 49.82 | 4 970 | 0.85 | 33 | 2KJ3505 - ■ EM23 - ■ ■ U1 | |
| | 32 | 440 | 44.63 | 5 040 | 0.95 | 33 | 2KJ3505 - ■ EM23 - ■ ■ T1 | |
| | 38 | 375 | 38.00 | 5 110 | 1.1 | 33 | 2KJ3505 - ■ EM23 - ■ ■ S1 | |
| | 44 | 320 | 32.57 | 5 130 | 1.3 | 33 | 2KJ3505 - ■ EM23 - ■ ■ R1 | |
| | 52 | 275 | 28.05 | 5 110 | 1.5 | 33 | 2KJ3505 - ■ EM23 - ■ ■ Q1 | |
| | 55 | 260 | 26.30 | 5 080 | 1.6 | 33 | 2KJ3505 - ■ EM23 - ■ ■ P1 | |
| | 62 | 230 | 23.28 | 5 030 | 1.8 | 33 | 2KJ3505 - ■ EM23 - ■ ■ N1 | |
| | 75 | 192 | 19.38 | 4 920 | 2.2 | 33 | 2KJ3505 - ■ EM23 - ■ ■ M1 | |
| | 79 | 181 | 18.24 | 4 880 | 2.3 | 33 | 2KJ3505 - ■ EM23 - ■ ■ L1 | |
| | 88 | 162 | 16.34 | 4 800 | 2.6 | 33 | 2KJ3505 - ■ EM23 - ■ ■ K1 | |
| | 104 | 138 | 13.91 | 4 670 | 3.0 | 33 | 2KJ3505 - ■ EM23 - ■ ■ J1 | |
| | 121 | 118 | 11.93 | 4 540 | 3.6 | 33 | 2KJ3505 - ■ EM23 - ■ ■ H1 | |
| | 148 | 97 | 9.75 | 4 290 | 2.8 | 33 | 2KJ3505 - ■ EM23 - ■ ■ F1 | |
| | 157 | 91 | 9.18 | 4 240 | 3.0 | 33 | 2KJ3505 - ■ EM23 - ■ ■ E1 | |
| | 176 | 82 | 8.22 | 4 140 | 3.1 | 33 | 2KJ3505 - ■ EM23 - ■ ■ D1 | |
| | 206 | 69 | 7.00 | 3 990 | 3.5 | 33 | 2KJ3505 - ■ EM23 - ■ ■ C1 | |
| | 241 | 60 | 6.00 | 3 840 | 3.8 | 33 | 2KJ3505 - ■ EM23 - ■ ■ B1 | |
| | 279 | 51 | 5.17 | 3 700 | 4.1 | 33 | 2KJ3505 - ■ EM23 - ■ ■ A1 | |
| B.49-LE90ZLR4P | | | | | | | | |
| | 27 | 530 | 53.89 | 8 600 | 0.84 | 31 | 2KJ3503 - ■ EM23 - ■ ■ B2 | |
| | 32 | 450 | 45.83 | 8 500 | 0.99 | 31 | 2KJ3503 - ■ EM23 - ■ ■ A2 | |
| | 35 | 410 | 41.67 | 8 400 | 1.1 | 31 | 2KJ3503 - ■ EM23 - ■ ■ X1 | |
| | 39 | 365 | 37.18 | 8 290 | 1.2 | 31 | 2KJ3503 - ■ EM23 - ■ ■ W1 | |
| | 43 | 330 | 33.33 | 8 140 | 1.4 | 31 | 2KJ3503 - ■ EM23 - ■ ■ V1 | |
| | 48 | 295 | 30.05 | 8 020 | 1.5 | 31 | 2KJ3503 - ■ EM23 - ■ ■ U1 | |
| | 52 | 275 | 27.74 | 7 890 | 1.6 | 31 | 2KJ3503 - ■ EM23 - ■ ■ T1 | |
| | 57 | 250 | 25.32 | 7 760 | 1.8 | 31 | 2KJ3503 - ■ EM23 - ■ ■ S1 | |
| | 69 | 205 | 21.01 | 7 490 | 2.2 | 31 | 2KJ3503 - ■ EM23 - ■ ■ R1 | |
| | 73 | 196 | 19.77 | 7 380 | 2.3 | 31 | 2KJ3503 - ■ EM23 - ■ ■ Q1 | |
| | 77 | 185 | 18.67 | 7 290 | 2.4 | 31 | 2KJ3503 - ■ EM23 - ■ ■ P1 | |
| | 91 | 158 | 15.89 | 7 020 | 2.9 | 31 | 2KJ3503 - ■ EM23 - ■ ■ N1 | |
| | 106 | 135 | 13.61 | 6 770 | 3.3 | 31 | 2KJ3503 - ■ EM23 - ■ ■ M1 | |
| | 174 | 82 | 8.29 | 6 010 | 4.0 | 31 | 2KJ3503 - ■ EM23 - ■ ■ H1 | |
| | 185 | 77 | 7.80 | 5 910 | 4.3 | 31 | 2KJ3503 - ■ EM23 - ■ ■ G1 | |
| K.39-LE90ZLR4P | | | | | | | | |
| | 52 | 275 | 27.70 | 4 270 | 0.8 | 27 | 2KJ3504 - ■ EM23 - ■ ■ R1 | |
| | 54 | 265 | 26.89 | 4 290 | 0.83 | 27 | 2KJ3504 - ■ EM23 - ■ ■ Q1 | |
| | 60 | 235 | 23.97 | 4 310 | 0.93 | 27 | 2KJ3504 - ■ EM23 - ■ ■ P1 | |
| | 65 | 215 | 22.12 | 4 320 | 1.0 | 27 | 2KJ3504 - ■ EM23 - ■ ■ N1 | |
| | 75 | 192 | 19.37 | 4 260 | 1.1 | 27 | 2KJ3504 - ■ EM23 - ■ ■ M1 | |
| | 85 | 168 | 16.98 | 4 220 | 1.3 | 27 | 2KJ3504 - ■ EM23 - ■ ■ L1 | |
| | 94 | 153 | 15.41 | 4 170 | 1.4 | 27 | 2KJ3504 - ■ EM23 - ■ ■ K1 | |
| | 100 | 144 | 14.50 | 4 140 | 1.5 | 27 | 2KJ3504 - ■ EM23 - ■ ■ J1 | |
| | 113 | 127 | 12.78 | 4 070 | 1.7 | 27 | 2KJ3504 - ■ EM23 - ■ ■ H1 | |
| | 130 | 110 | 11.09 | 3 980 | 2.0 | 27 | 2KJ3504 - ■ EM23 - ■ ■ G1 | |
| | 144 | 100 | 10.04 | 3 770 | 1.8 | 27 | 2KJ3504 - ■ EM23 - ■ ■ F1 | |

Article No. supplement

| | |
|-----------------------|-----------------|
| Shaft design | 1, 5, 6, 7 or 9 |
| Frequency and voltage | 2 or 9 |
| Gearbox mounting type | A, D, F or H |

→ page 10/44

→ page 11/2

→ page 10/37

SIMOGEAR geared motors

Bevel geared motors

Geared motors up to 55 kW

Selection and ordering data (continued)

| P_{rated} kW | n_2 rpm | T_2 Nm | i - | F_{R2} N | f_B - | m kg | Article No. (Article No. supplement → below) | Order code No. of poles |
|--------------------------|--------------------------|-------------|----------|---------------|------------|---------------------------|---|----------------------------|
| 1.5 | K.39-LE90ZLR4P | | | | | | | |
| | 164 | 87 | 8.81 | 3 700 | 2.1 | 27 | 2KJ3504 - ■ EM23 - ■ ■ E1 | |
| | 181 | 79 | 7.99 | 3 640 | 2.2 | 27 | 2KJ3504 - ■ EM23 - ■ ■ D1 | |
| | 192 | 74 | 7.52 | 3 600 | 2.3 | 27 | 2KJ3504 - ■ EM23 - ■ ■ C1 | |
| | 218 | 66 | 6.63 | 3 500 | 2.4 | 27 | 2KJ3504 - ■ EM23 - ■ ■ B1 | |
| | 251 | 57 | 5.75 | 3 400 | 2.6 | 27 | 2KJ3504 - ■ EM23 - ■ ■ A1 | |
| | B.39-LE90ZLR4P | | | | | | | |
| | 46 | 305 | 31.11 | 6 980 | 0.81 | 26 | 2KJ3502 - ■ EM23 - ■ ■ T1 | |
| | 53 | 270 | 27.50 | 6 980 | 0.92 | 26 | 2KJ3502 - ■ EM23 - ■ ■ S1 | |
| | 58 | 245 | 25.00 | 6 980 | 1.0 | 26 | 2KJ3502 - ■ EM23 - ■ ■ R1 | |
| | 66 | 215 | 21.90 | 6 980 | 1.2 | 26 | 2KJ3502 - ■ EM23 - ■ ■ Q1 | |
| | 71 | 200 | 20.21 | 6 890 | 1.2 | 26 | 2KJ3502 - ■ EM23 - ■ ■ P1 | |
| | 81 | 177 | 17.90 | 6 730 | 1.4 | 26 | 2KJ3502 - ■ EM23 - ■ ■ N1 | |
| | 97 | 148 | 14.90 | 6 480 | 1.7 | 26 | 2KJ3502 - ■ EM23 - ■ ■ M1 | |
| | 103 | 139 | 14.02 | 6 390 | 1.8 | 26 | 2KJ3502 - ■ EM23 - ■ ■ L1 | |
| | 115 | 125 | 12.56 | 6 230 | 2.0 | 26 | 2KJ3502 - ■ EM23 - ■ ■ K1 | |
| | 135 | 106 | 10.69 | 6 000 | 2.3 | 26 | 2KJ3502 - ■ EM23 - ■ ■ J1 | |
| | 158 | 91 | 9.17 | 5 780 | 2.5 | 26 | 2KJ3502 - ■ EM23 - ■ ■ H1 | |
| | 183 | 78 | 7.89 | 5 560 | 2.8 | 26 | 2KJ3502 - ■ EM23 - ■ ■ G1 | |
| | 219 | 65 | 6.60 | 5 350 | 3.1 | 26 | 2KJ3502 - ■ EM23 - ■ ■ F1 | |
| 233 | 62 | 6.21 | 5 260 | 3.2 | 26 | 2KJ3502 - ■ EM23 - ■ ■ E1 | | |
| 260 | 55 | 5.56 | 5 100 | 3.6 | 26 | 2KJ3502 - ■ EM23 - ■ ■ D1 | | |
| 305 | 47 | 4.74 | 4 870 | 4.3 | 26 | 2KJ3502 - ■ EM23 - ■ ■ C1 | | |
| 356 | 40 | 4.06 | 4 660 | 5.0 | 26 | 2KJ3502 - ■ EM23 - ■ ■ B1 | | |
| B.29-LE90ZLR4P | | | | | | | | |
| 413 | 35 | 3.50 | 4 450 | 5.5 | 26 | 2KJ3502 - ■ EM23 - ■ ■ A1 | | |
| 114 | 125 | 12.63 | 3 670 | 0.88 | 21 | 2KJ3501 - ■ EM23 - ■ ■ N1 | | |
| 126 | 114 | 11.46 | 3 620 | 0.97 | 21 | 2KJ3501 - ■ EM23 - ■ ■ M1 | | |
| 134 | 107 | 10.78 | 3 590 | 1.0 | 21 | 2KJ3501 - ■ EM23 - ■ ■ L1 | | |
| 152 | 94 | 9.51 | 3 520 | 1.2 | 21 | 2KJ3501 - ■ EM23 - ■ ■ K1 | | |
| 175 | 82 | 8.25 | 3 430 | 1.3 | 21 | 2KJ3501 - ■ EM23 - ■ ■ J1 | | |
| 184 | 78 | 7.84 | 3 320 | 0.96 | 21 | 2KJ3501 - ■ EM23 - ■ ■ H1 | | |
| 196 | 73 | 7.38 | 3 290 | 1.0 | 21 | 2KJ3501 - ■ EM23 - ■ ■ G1 | | |
| 222 | 64 | 6.51 | 3 220 | 1.2 | 21 | 2KJ3501 - ■ EM23 - ■ ■ F1 | | |
| 256 | 56 | 5.65 | 3 120 | 1.3 | 21 | 2KJ3501 - ■ EM23 - ■ ■ E1 | | |
| 285 | 50 | 5.07 | 3 120 | 1.5 | 21 | 2KJ3501 - ■ EM23 - ■ ■ D1 | | |
| 302 | 47 | 4.78 | 3 070 | 1.6 | 21 | 2KJ3501 - ■ EM23 - ■ ■ C1 | | |
| 343 | 42 | 4.21 | 2 970 | 1.8 | 21 | 2KJ3501 - ■ EM23 - ■ ■ B1 | | |
| 396 | 36 | 3.65 | 2 870 | 2.0 | 21 | 2KJ3501 - ■ EM23 - ■ ■ A1 | | |
| 2.2 | K.149-LE112ZMKB6P | | | | | | | |
| | 4.1 | 5 130 | 237.03 | 65 000 | 1.6 | 254 | 2KJ3513 - ■ GJ23 - ■ ■ J2 | P01 |
| | 4.8 | 4 390 | 202.86 | 65 000 | 1.8 | 254 | 2KJ3513 - ■ GJ23 - ■ ■ H2 | P01 |
| | 5.1 | 4 130 | 190.92 | 65 000 | 1.9 | 254 | 2KJ3513 - ■ GJ23 - ■ ■ G2 | P01 |
| | 5.4 | 3 870 | 178.97 | 65 000 | 2.1 | 254 | 2KJ3513 - ■ GJ23 - ■ ■ F2 | P01 |
| | K.129-LE112ZMKB6P | | | | | | | |
| | 4.2 | 4 940 | 228.30 | 37 100 | 0.89 | 170 | 2KJ3512 - ■ GJ23 - ■ ■ J2 | P01 |
| | 4.6 | 4 560 | 210.74 | 37 400 | 0.96 | 170 | 2KJ3512 - ■ GJ23 - ■ ■ H2 | P01 |
| | 5.0 | 4 200 | 194.04 | 37 800 | 1.0 | 170 | 2KJ3512 - ■ GJ23 - ■ ■ G2 | P01 |

Article No. supplement

Shaft design

1, 5, 6, 7 or 9

Frequency and voltage

2 or 9

Gearbox mounting type

A, D, F or H

→ page 10/44

→ page 11/2

→ page 10/37

SIMOGEAR geared motors

Bevel geared motors

Geared motors up to 55 kW

Selection and ordering data (continued)

| P_{rated} kW | n_2 rpm | T_2 Nm | i - | F_{R2} N | f_B - | m kg | Article No. (Article No. supplement → below) | Order code No. of poles |
|--------------------------|--------------|-------------|----------|---------------|------------|-----------|---|----------------------------|
| 2.2 | | | | | | | | |
| K.129-LE112ZMKB6P | | | | | | | | |
| | 5.9 | 3 580 | 165.47 | 38 400 | 1.2 | 170 | 2KJ3512 - ■ GJ23 - ■ ■ F2 | P01 |
| K.129-LE100ZLSA4P | | | | | | | | |
| | 6.4 | 3 270 | 228.30 | 38 700 | 1.3 | 170 | 2KJ3512 - ■ FN23 - ■ ■ J2 | |
| | 7.0 | 3 020 | 210.74 | 38 900 | 1.5 | 170 | 2KJ3512 - ■ FN23 - ■ ■ H2 | |
| | 7.5 | 2 780 | 194.04 | 39 200 | 1.6 | 170 | 2KJ3512 - ■ FN23 - ■ ■ G2 | |
| | 8.9 | 2 370 | 165.47 | 39 600 | 1.9 | 170 | 2KJ3512 - ■ FN23 - ■ ■ F2 | |
| | 9.4 | 2 230 | 155.74 | 39 700 | 2.0 | 170 | 2KJ3512 - ■ FN23 - ■ ■ E2 | |
| | 10 | 2 070 | 144.53 | 39 900 | 2.1 | 170 | 2KJ3512 - ■ FN23 - ■ ■ D2 | |
| K.109-LE112ZMKB6P | | | | | | | | |
| | 5.9 | 3 540 | 163.78 | 24 500 | 0.82 | 120 | 2KJ3511 - ■ GJ23 - ■ ■ E2 | P01 |
| K.109-LE100ZLSA4P | | | | | | | | |
| | 6.8 | 3 100 | 216.65 | 24 500 | 0.93 | 119 | 2KJ3511 - ■ FN23 - ■ ■ H2 | |
| | 7.5 | 2 800 | 195.60 | 24 500 | 1.0 | 119 | 2KJ3511 - ■ FN23 - ■ ■ G2 | |
| | 8.3 | 2 540 | 177.43 | 24 500 | 1.1 | 119 | 2KJ3511 - ■ FN23 - ■ ■ F2 | |
| | 8.9 | 2 340 | 163.78 | 24 500 | 1.2 | 119 | 2KJ3511 - ■ FN23 - ■ ■ E2 | |
| | 9.8 | 2 130 | 148.88 | 24 500 | 1.4 | 119 | 2KJ3511 - ■ FN23 - ■ ■ D2 | |
| | 12 | 1 700 | 118.65 | 24 500 | 1.7 | 119 | 2KJ3511 - ■ FN23 - ■ ■ B2 | |
| | 12 | 1 800 | 126.07 | 24 500 | 1.6 | 119 | 2KJ3511 - ■ FN23 - ■ ■ C2 | |
| | 13 | 1 570 | 109.57 | 24 500 | 1.8 | 119 | 2KJ3511 - ■ FN23 - ■ ■ A2 | |
| | 15 | 1 390 | 97.49 | 24 500 | 2.1 | 119 | 2KJ3511 - ■ FN23 - ■ ■ X1 | |
| | 17 | 1 240 | 86.59 | 24 500 | 2.3 | 119 | 2KJ3511 - ■ FN23 - ■ ■ W1 | |
| K.89-LE100ZLSA4P | | | | | | | | |
| | 11 | 1 860 | 129.96 | 18 100 | 0.86 | 84 | 2KJ3510 - ■ FN23 - ■ ■ D2 | |
| | 13 | 1 560 | 109.04 | 18 100 | 1.0 | 84 | 2KJ3510 - ■ FN23 - ■ ■ C2 | |
| | 14 | 1 470 | 102.63 | 18 100 | 1.1 | 84 | 2KJ3510 - ■ FN23 - ■ ■ B2 | |
| | 16 | 1 350 | 94.16 | 18 100 | 1.2 | 84 | 2KJ3510 - ■ FN23 - ■ ■ A2 | |
| | 18 | 1 180 | 82.25 | 18 100 | 1.4 | 84 | 2KJ3510 - ■ FN23 - ■ ■ X1 | |
| | 20 | 1 050 | 73.64 | 18 100 | 1.5 | 84 | 2KJ3510 - ■ FN23 - ■ ■ W1 | |
| | 23 | 920 | 64.39 | 18 100 | 1.7 | 84 | 2KJ3510 - ■ FN23 - ■ ■ V1 | |
| | 27 | 790 | 55.27 | 18 100 | 2.0 | 84 | 2KJ3510 - ■ FN23 - ■ ■ U1 | |
| | 30 | 700 | 48.85 | 18 100 | 2.3 | 84 | 2KJ3510 - ■ FN23 - ■ ■ T1 | |
| | 35 | 595 | 41.54 | 18 100 | 2.6 | 84 | 2KJ3510 - ■ FN23 - ■ ■ S1 | |
| K.79-LE100ZLSA4P | | | | | | | | |
| | 22 | 935 | 65.47 | 13 700 | 0.87 | 63 | 2KJ3508 - ■ FN23 - ■ ■ U1 | |
| | 26 | 800 | 56.08 | 14 000 | 1.0 | 63 | 2KJ3508 - ■ FN23 - ■ ■ T1 | |
| | 30 | 705 | 49.31 | 14 200 | 1.2 | 63 | 2KJ3508 - ■ FN23 - ■ ■ S1 | |
| | 35 | 595 | 41.60 | 14 400 | 1.3 | 63 | 2KJ3508 - ■ FN23 - ■ ■ R1 | |
| | 40 | 520 | 36.26 | 14 400 | 1.5 | 63 | 2KJ3508 - ■ FN23 - ■ ■ Q1 | |
| | 45 | 470 | 32.78 | 14 400 | 1.7 | 63 | 2KJ3508 - ■ FN23 - ■ ■ P1 | |
| | 54 | 390 | 27.20 | 14 400 | 2.1 | 63 | 2KJ3508 - ■ FN23 - ■ ■ N1 | |
| | 57 | 365 | 25.60 | 14 400 | 2.1 | 63 | 2KJ3508 - ■ FN23 - ■ ■ M1 | |
| | 61 | 345 | 24.17 | 14 400 | 2.2 | 63 | 2KJ3508 - ■ FN23 - ■ ■ L1 | |
| | 71 | 295 | 20.57 | 14 400 | 2.5 | 63 | 2KJ3508 - ■ FN23 - ■ ■ K1 | |
| | 83 | 250 | 17.62 | 14 400 | 2.8 | 63 | 2KJ3508 - ■ FN23 - ■ ■ J1 | |
| | 95 | 220 | 15.49 | 14 400 | 3.1 | 63 | 2KJ3508 - ■ FN23 - ■ ■ H1 | |
| | 112 | 187 | 13.07 | 14 400 | 3.5 | 63 | 2KJ3508 - ■ FN23 - ■ ■ G1 | |
| | 139 | 151 | 10.51 | 14 400 | 3.0 | 63 | 2KJ3508 - ■ FN23 - ■ ■ E1 | |
| | 163 | 129 | 9.01 | 13 800 | 3.5 | 63 | 2KJ3508 - ■ FN23 - ■ ■ D1 | |

Article No. supplement

Shaft design

1, 5, 6, 7 or 9

Frequency and voltage

2 or 9

Gearbox mounting type

A, D, F or H

→ page 10/44

→ page 11/2

→ page 10/37

Selection and ordering data (continued)

| P_{rated} kW | n_2 rpm | T_2 Nm | i - | F_{R2} N | f_B - | m kg | Article No. (Article No. supplement → below) | Order code No. of poles |
|--------------------------|--------------|-------------|----------|---------------|------------|-----------|---|----------------------------|
| 2.2 | | | | | | | | |
| K.79-LE100ZLSA4P | | | | | | | | |
| 185 | 114 | | 7.92 | 13 300 | 4.0 | 63 | 2KJ3508 - ■ FN23 - ■ ■ C1 | |
| K.69-LE100ZLSA4P | | | | | | | | |
| 32 | 645 | | 45.14 | 7 110 | 0.93 | 57 | 2KJ3507 - ■ FN23 - ■ ■ S1 | |
| 37 | 565 | | 39.69 | 7 190 | 1.1 | 57 | 2KJ3507 - ■ FN23 - ■ ■ R1 | |
| 44 | 480 | | 33.48 | 7 180 | 1.2 | 57 | 2KJ3507 - ■ FN23 - ■ ■ Q1 | |
| 50 | 415 | | 29.18 | 7 170 | 1.3 | 57 | 2KJ3507 - ■ FN23 - ■ ■ P1 | |
| 56 | 370 | | 26.05 | 7 110 | 1.6 | 57 | 2KJ3507 - ■ FN23 - ■ ■ N1 | |
| 60 | 350 | | 24.52 | 7 060 | 1.7 | 57 | 2KJ3507 - ■ FN23 - ■ ■ M1 | |
| 63 | 330 | | 23.15 | 7 020 | 1.8 | 57 | 2KJ3507 - ■ FN23 - ■ ■ L1 | |
| 74 | 280 | | 19.70 | 6 890 | 2.0 | 57 | 2KJ3507 - ■ FN23 - ■ ■ K1 | |
| 87 | 240 | | 16.88 | 6 720 | 2.2 | 57 | 2KJ3507 - ■ FN23 - ■ ■ J1 | |
| 99 | 210 | | 14.84 | 6 580 | 2.4 | 57 | 2KJ3507 - ■ FN23 - ■ ■ H1 | |
| 117 | 180 | | 12.52 | 6 350 | 2.7 | 57 | 2KJ3507 - ■ FN23 - ■ ■ G1 | |
| 134 | 156 | | 10.91 | 6 180 | 3.0 | 57 | 2KJ3507 - ■ FN23 - ■ ■ F1 | |
| 157 | 134 | | 9.34 | 5 730 | 2.8 | 57 | 2KJ3507 - ■ FN23 - ■ ■ E1 | |
| 183 | 115 | | 8.01 | 5 550 | 3.2 | 57 | 2KJ3507 - ■ FN23 - ■ ■ D1 | |
| 208 | 101 | | 7.04 | 5 400 | 3.6 | 57 | 2KJ3507 - ■ FN23 - ■ ■ C1 | |
| 247 | 85 | | 5.94 | 5 190 | 4.0 | 57 | 2KJ3507 - ■ FN23 - ■ ■ B1 | |
| 283 | 74 | | 5.18 | 5 020 | 4.4 | 57 | 2KJ3507 - ■ FN23 - ■ ■ A1 | |
| K.49-LE100ZLSA4P | | | | | | | | |
| 45 | 465 | | 32.57 | 3 970 | 0.9 | 51 | 2KJ3505 - ■ FN23 - ■ ■ R1 | |
| 52 | 400 | | 28.05 | 4 110 | 1.0 | 51 | 2KJ3505 - ■ FN23 - ■ ■ Q1 | |
| 56 | 375 | | 26.30 | 4 150 | 1.1 | 51 | 2KJ3505 - ■ FN23 - ■ ■ P1 | |
| 63 | 330 | | 23.28 | 4 220 | 1.3 | 51 | 2KJ3505 - ■ FN23 - ■ ■ N1 | |
| 76 | 275 | | 19.38 | 4 240 | 1.5 | 51 | 2KJ3505 - ■ FN23 - ■ ■ M1 | |
| 80 | 260 | | 18.24 | 4 230 | 1.6 | 51 | 2KJ3505 - ■ FN23 - ■ ■ L1 | |
| 90 | 230 | | 16.34 | 4 240 | 1.8 | 51 | 2KJ3505 - ■ FN23 - ■ ■ K1 | |
| 105 | 199 | | 13.91 | 4 170 | 2.1 | 51 | 2KJ3505 - ■ FN23 - ■ ■ J1 | |
| 123 | 171 | | 11.93 | 4 100 | 2.5 | 51 | 2KJ3505 - ■ FN23 - ■ ■ H1 | |
| 143 | 147 | | 10.27 | 4 020 | 2.8 | 51 | 2KJ3505 - ■ FN23 - ■ ■ G1 | |
| 150 | 140 | | 9.75 | 3 910 | 2.0 | 51 | 2KJ3505 - ■ FN23 - ■ ■ F1 | |
| 160 | 132 | | 9.18 | 3 880 | 2.1 | 51 | 2KJ3505 - ■ FN23 - ■ ■ E1 | |
| 178 | 118 | | 8.22 | 3 810 | 2.2 | 51 | 2KJ3505 - ■ FN23 - ■ ■ D1 | |
| 209 | 100 | | 7.00 | 3 710 | 2.4 | 51 | 2KJ3505 - ■ FN23 - ■ ■ C1 | |
| 244 | 86 | | 6.00 | 3 600 | 2.6 | 51 | 2KJ3505 - ■ FN23 - ■ ■ B1 | |
| 283 | 74 | | 5.17 | 3 490 | 2.8 | 51 | 2KJ3505 - ■ FN23 - ■ ■ A1 | |
| B.49-LE100ZLSA4P | | | | | | | | |
| 39 | 530 | | 37.18 | 7 140 | 0.84 | 48 | 2KJ3503 - ■ FN23 - ■ ■ W1 | |
| 44 | 475 | | 33.33 | 7 130 | 0.94 | 48 | 2KJ3503 - ■ FN23 - ■ ■ V1 | |
| 49 | 430 | | 30.05 | 7 080 | 1.0 | 48 | 2KJ3503 - ■ FN23 - ■ ■ U1 | |
| 53 | 395 | | 27.74 | 7 050 | 1.1 | 48 | 2KJ3503 - ■ FN23 - ■ ■ T1 | |
| 58 | 360 | | 25.32 | 6 990 | 1.2 | 48 | 2KJ3503 - ■ FN23 - ■ ■ S1 | |
| 70 | 300 | | 21.01 | 6 820 | 1.5 | 48 | 2KJ3503 - ■ FN23 - ■ ■ R1 | |
| 74 | 280 | | 19.77 | 6 780 | 1.6 | 48 | 2KJ3503 - ■ FN23 - ■ ■ Q1 | |
| 78 | 265 | | 18.67 | 6 720 | 1.7 | 48 | 2KJ3503 - ■ FN23 - ■ ■ P1 | |
| 92 | 225 | | 15.89 | 6 540 | 2.0 | 48 | 2KJ3503 - ■ FN23 - ■ ■ N1 | |
| 108 | 195 | | 13.61 | 6 330 | 2.3 | 48 | 2KJ3503 - ■ FN23 - ■ ■ M1 | |

Article No. supplement

| | |
|-----------------------|-----------------|
| Shaft design | 1, 5, 6, 7 or 9 |
| Frequency and voltage | 2 or 9 |
| Gearbox mounting type | A, D, F or H |

→ page 10/44

→ page 11/2

→ page 10/37

SIMOGEAR geared motors

Bevel geared motors

Geared motors up to 55 kW

Selection and ordering data (continued)

| P_{rated} kW | n_2 rpm | T_2 Nm | i - | F_{R2} N | f_B - | m kg | Article No. (Article No. supplement → below) | Order code No. of poles |
|--------------------------|--------------|-------------|----------|---------------|------------|-----------|---|----------------------------|
| 2.2 | | | | | | | | |
| B.49-LE100ZLSA4P | | | | | | | | |
| 122 | 172 | | 11.97 | 6 170 | 2.6 | 48 | 2KJ3503 - ■ FN23 - ■ ■ L1 | |
| 145 | 145 | | 10.10 | 5 940 | 3.1 | 48 | 2KJ3503 - ■ FN23 - ■ ■ K1 | |
| 166 | 126 | | 8.80 | 5 760 | 3.6 | 48 | 2KJ3503 - ■ FN23 - ■ ■ J1 | |
| 177 | 119 | | 8.29 | 5 770 | 2.8 | 48 | 2KJ3503 - ■ FN23 - ■ ■ H1 | |
| 188 | 112 | | 7.80 | 5 680 | 3.0 | 48 | 2KJ3503 - ■ FN23 - ■ ■ G1 | |
| 199 | 106 | | 7.37 | 5 590 | 3.1 | 48 | 2KJ3503 - ■ FN23 - ■ ■ F1 | |
| 234 | 90 | | 6.27 | 5 360 | 3.7 | 48 | 2KJ3503 - ■ FN23 - ■ ■ E1 | |
| 273 | 77 | | 5.37 | 5 140 | 4.3 | 48 | 2KJ3503 - ■ FN23 - ■ ■ D1 | |
| 310 | 68 | | 4.72 | 4 960 | 4.9 | 48 | 2KJ3503 - ■ FN23 - ■ ■ C1 | |
| K.39-LE100ZLSA4P | | | | | | | | |
| 86 | 240 | | 16.98 | 3 540 | 0.9 | 41 | 2KJ3504 - ■ FN23 - ■ ■ L1 | |
| 95 | 220 | | 15.41 | 3 540 | 1.0 | 41 | 2KJ3504 - ■ FN23 - ■ ■ K1 | |
| 101 | 205 | | 14.50 | 3 570 | 1.1 | 41 | 2KJ3504 - ■ FN23 - ■ ■ J1 | |
| 115 | 183 | | 12.78 | 3 540 | 1.2 | 41 | 2KJ3504 - ■ FN23 - ■ ■ H1 | |
| 132 | 159 | | 11.09 | 3 520 | 1.4 | 41 | 2KJ3504 - ■ FN23 - ■ ■ G1 | |
| 146 | 144 | | 10.04 | 3 290 | 1.3 | 41 | 2KJ3504 - ■ FN23 - ■ ■ F1 | |
| 166 | 126 | | 8.81 | 3 270 | 1.4 | 41 | 2KJ3504 - ■ FN23 - ■ ■ E1 | |
| 183 | 115 | | 7.99 | 3 240 | 1.5 | 41 | 2KJ3504 - ■ FN23 - ■ ■ D1 | |
| 195 | 108 | | 7.52 | 3 220 | 1.6 | 41 | 2KJ3504 - ■ FN23 - ■ ■ C1 | |
| 221 | 95 | | 6.63 | 3 180 | 1.7 | 41 | 2KJ3504 - ■ FN23 - ■ ■ B1 | |
| 255 | 82 | | 5.75 | 3 120 | 1.8 | 41 | 2KJ3504 - ■ FN23 - ■ ■ A1 | |
| B.39-LE100ZLSA4P | | | | | | | | |
| 67 | 310 | | 21.90 | 6 230 | 0.80 | 41 | 2KJ3502 - ■ FN23 - ■ ■ Q1 | |
| 72 | 290 | | 20.21 | 6 160 | 0.86 | 41 | 2KJ3502 - ■ FN23 - ■ ■ P1 | |
| 82 | 255 | | 17.90 | 6 090 | 0.97 | 41 | 2KJ3502 - ■ FN23 - ■ ■ N1 | |
| 98 | 210 | | 14.90 | 5 960 | 1.2 | 41 | 2KJ3502 - ■ FN23 - ■ ■ M1 | |
| 104 | 200 | | 14.02 | 5 890 | 1.2 | 41 | 2KJ3502 - ■ FN23 - ■ ■ L1 | |
| 117 | 180 | | 12.56 | 5 780 | 1.4 | 41 | 2KJ3502 - ■ FN23 - ■ ■ K1 | |
| 137 | 153 | | 10.69 | 5 610 | 1.6 | 41 | 2KJ3502 - ■ FN23 - ■ ■ J1 | |
| 160 | 132 | | 9.17 | 5 430 | 1.7 | 41 | 2KJ3502 - ■ FN23 - ■ ■ H1 | |
| 186 | 113 | | 7.89 | 5 260 | 1.9 | 41 | 2KJ3502 - ■ FN23 - ■ ■ G1 | |
| 222 | 95 | | 6.60 | 5 120 | 2.1 | 41 | 2KJ3502 - ■ FN23 - ■ ■ F1 | |
| 236 | 89 | | 6.21 | 5 050 | 2.2 | 41 | 2KJ3502 - ■ FN23 - ■ ■ E1 | |
| 263 | 80 | | 5.56 | 4 900 | 2.5 | 41 | 2KJ3502 - ■ FN23 - ■ ■ D1 | |
| 309 | 68 | | 4.74 | 4 700 | 2.9 | 41 | 2KJ3502 - ■ FN23 - ■ ■ C1 | |
| 361 | 58 | | 4.06 | 4 510 | 3.4 | 41 | 2KJ3502 - ■ FN23 - ■ ■ B1 | |
| 419 | 50 | | 3.50 | 4 330 | 3.8 | 41 | 2KJ3502 - ■ FN23 - ■ ■ A1 | |
| B.29-LE100ZLSA4P | | | | | | | | |
| 154 | 136 | | 9.51 | 3 110 | 0.81 | 36 | 2KJ3501 - ■ FN23 - ■ ■ K1 | |
| 178 | 118 | | 8.25 | 3 080 | 0.93 | 36 | 2KJ3501 - ■ FN23 - ■ ■ J1 | |
| 225 | 93 | | 6.51 | 2 900 | 0.80 | 36 | 2KJ3501 - ■ FN23 - ■ ■ F1 | |
| 259 | 81 | | 5.65 | 2 850 | 0.93 | 36 | 2KJ3501 - ■ FN23 - ■ ■ E1 | |
| 289 | 73 | | 5.07 | 2 900 | 1.0 | 36 | 2KJ3501 - ■ FN23 - ■ ■ D1 | |
| 306 | 69 | | 4.78 | 2 860 | 1.1 | 36 | 2KJ3501 - ■ FN23 - ■ ■ C1 | |
| 348 | 60 | | 4.21 | 2 800 | 1.2 | 36 | 2KJ3501 - ■ FN23 - ■ ■ B1 | |
| 401 | 52 | | 3.65 | 2 720 | 1.4 | 36 | 2KJ3501 - ■ FN23 - ■ ■ A1 | |

Article No. supplement

Shaft design

1, 5, 6, 7 or 9

Frequency and voltage

2 or 9

Gearbox mounting type

A, D, F or H

→ page 10/44

→ page 11/2

→ page 10/37

Selection and ordering data (continued)

| P_{rated} kW | n_2 rpm | T_2 Nm | i - | F_{R2} N | f_B - | m kg | Article No. (Article No. supplement → below) | Order code No. of poles |
|--------------------------|--------------------------|-------------|----------|---------------|------------|---------------------------|---|----------------------------|
| 3 | K.169-LE132SH6P | | | | | | | |
| | 4.3 | 6 590 | 223.30 | 70 000 | 2.0 | 446 | 2KJ3514 - ■ HF23 - ■ ■ F2 | P01 |
| | K.149-LE132SH6P | | | | | | | |
| | 4.1 | 7 000 | 237.03 | 65 000 | 1.1 | 276 | 2KJ3513 - ■ HF23 - ■ ■ J2 | P01 |
| | 4.8 | 5 990 | 202.86 | 65 000 | 1.3 | 276 | 2KJ3513 - ■ HF23 - ■ ■ H2 | P01 |
| | 5.1 | 5 630 | 190.92 | 65 000 | 1.4 | 276 | 2KJ3513 - ■ HF23 - ■ ■ G2 | P01 |
| | 5.4 | 5 280 | 178.97 | 65 000 | 1.5 | 276 | 2KJ3513 - ■ HF23 - ■ ■ F2 | P01 |
| | K.149-LE100ZLSB4P | | | | | | | |
| | 6.1 | 4 660 | 237.03 | 65 000 | 1.7 | 253 | 2KJ3513 - ■ FP23 - ■ ■ J2 | |
| | 7.2 | 3 990 | 202.86 | 65 000 | 2.0 | 253 | 2KJ3513 - ■ FP23 - ■ ■ H2 | |
| | 7.6 | 3 750 | 190.92 | 65 000 | 2.1 | 253 | 2KJ3513 - ■ FP23 - ■ ■ G2 | |
| | K.129-LE132SH6P | | | | | | | |
| | 5.9 | 4 880 | 165.47 | 37 100 | 0.90 | 193 | 2KJ3512 - ■ HF23 - ■ ■ F2 | P01 |
| | K.129-LE100ZLSB4P | | | | | | | |
| | 6.4 | 4 490 | 228.30 | 37 500 | 0.98 | 170 | 2KJ3512 - ■ FP23 - ■ ■ J2 | |
| | 6.9 | 4 150 | 210.74 | 37 800 | 1.1 | 170 | 2KJ3512 - ■ FP23 - ■ ■ H2 | |
| | 7.5 | 3 820 | 194.04 | 38 200 | 1.2 | 170 | 2KJ3512 - ■ FP23 - ■ ■ G2 | |
| | 8.8 | 3 250 | 165.47 | 38 700 | 1.4 | 170 | 2KJ3512 - ■ FP23 - ■ ■ F2 | |
| | K.129-LE100ZLSB4P | | | | | | | |
| | 9.3 | 3 060 | 155.74 | 38 900 | 1.4 | 170 | 2KJ3512 - ■ FP23 - ■ ■ E2 | |
| | 10 | 2 840 | 144.53 | 39 100 | 1.5 | 170 | 2KJ3512 - ■ FP23 - ■ ■ D2 | |
| | 11 | 2 510 | 127.77 | 39 400 | 1.7 | 170 | 2KJ3512 - ■ FP23 - ■ ■ C2 | |
| | 13 | 2 240 | 114.06 | 39 700 | 2.0 | 170 | 2KJ3512 - ■ FP23 - ■ ■ B2 | |
| | 14 | 2 020 | 102.64 | 39 900 | 2.2 | 170 | 2KJ3512 - ■ FP23 - ■ ■ A2 | |
| | K.109-LE100ZLSB4P | | | | | | | |
| | 8.2 | 3 490 | 177.43 | 24 500 | 0.83 | 119 | 2KJ3511 - ■ FP23 - ■ ■ F2 | |
| | 8.9 | 3 220 | 163.78 | 24 500 | 0.90 | 119 | 2KJ3511 - ■ FP23 - ■ ■ E2 | |
| | 9.8 | 2 930 | 148.88 | 24 500 | 0.99 | 119 | 2KJ3511 - ■ FP23 - ■ ■ D2 | |
| | 12 | 2 330 | 118.65 | 24 500 | 1.2 | 119 | 2KJ3511 - ■ FP23 - ■ ■ B2 | |
| | 12 | 2 480 | 126.07 | 24 500 | 1.2 | 119 | 2KJ3511 - ■ FP23 - ■ ■ C2 | |
| | 13 | 2 150 | 109.57 | 24 500 | 1.3 | 119 | 2KJ3511 - ■ FP23 - ■ ■ A2 | |
| | 15 | 1 920 | 97.49 | 24 500 | 1.5 | 119 | 2KJ3511 - ■ FP23 - ■ ■ X1 | |
| | 17 | 1 700 | 86.59 | 24 500 | 1.7 | 119 | 2KJ3511 - ■ FP23 - ■ ■ W1 | |
| 19 | 1 520 | 77.51 | 24 500 | 1.9 | 119 | 2KJ3511 - ■ FP23 - ■ ■ V1 | | |
| 22 | 1 300 | 66.26 | 24 500 | 2.2 | 119 | 2KJ3511 - ■ FP23 - ■ ■ U1 | | |
| K.89-LE100ZLSB4P | | | | | | | | |
| 15 | 1 850 | 94.16 | 18 100 | 0.86 | 84 | 2KJ3510 - ■ FP23 - ■ ■ A2 | | |
| 18 | 1 620 | 82.25 | 18 100 | 0.99 | 84 | 2KJ3510 - ■ FP23 - ■ ■ X1 | | |
| 20 | 1 450 | 73.64 | 18 100 | 1.1 | 84 | 2KJ3510 - ■ FP23 - ■ ■ W1 | | |
| 23 | 1 260 | 64.39 | 18 100 | 1.3 | 84 | 2KJ3510 - ■ FP23 - ■ ■ V1 | | |
| 26 | 1 080 | 55.27 | 18 100 | 1.5 | 84 | 2KJ3510 - ■ FP23 - ■ ■ U1 | | |
| 30 | 960 | 48.85 | 18 100 | 1.7 | 84 | 2KJ3510 - ■ FP23 - ■ ■ T1 | | |
| 35 | 815 | 41.54 | 18 100 | 1.9 | 84 | 2KJ3510 - ■ FP23 - ■ ■ S1 | | |
| 37 | 770 | 39.29 | 18 100 | 2.1 | 84 | 2KJ3510 - ■ FP23 - ■ ■ R1 | | |
| 44 | 645 | 32.96 | 18 100 | 2.5 | 84 | 2KJ3510 - ■ FP23 - ■ ■ Q1 | | |
| 47 | 610 | 31.03 | 18 100 | 2.6 | 84 | 2KJ3510 - ■ FP23 - ■ ■ P1 | | |
| K.79-LE100ZLSB4P | | | | | | | | |
| 30 | 970 | 49.31 | 13 600 | 0.84 | 63 | 2KJ3508 - ■ FP23 - ■ ■ S1 | | |
| 35 | 815 | 41.60 | 13 900 | 0.98 | 63 | 2KJ3508 - ■ FP23 - ■ ■ R1 | | |

Article No. supplement

| | |
|-----------------------|-----------------|
| Shaft design | 1, 5, 6, 7 or 9 |
| Frequency and voltage | 2 or 9 |
| Gearbox mounting type | A, D, F or H |

→ page 10/44

→ page 11/2

→ page 10/37

SIMOGEAR geared motors

Bevel geared motors

Geared motors up to 55 kW

Selection and ordering data (continued)

| P_{rated} kW | n_2 rpm | T_2 Nm | i - | F_{R2} N | f_B - | m kg | Article No. (Article No. supplement → below) | Order code No. of poles |
|--------------------------|-------------------------|-------------|----------|---------------|------------|---------------------------|---|----------------------------|
| 3 | K.79-LE100ZLSB4P | | | | | | | |
| | 40 | 710 | 36.26 | 14 100 | 1.1 | 63 | 2KJ3508 - ■ FP23 - ■ ■ Q1 | |
| | 44 | 645 | 32.78 | 14 300 | 1.3 | 63 | 2KJ3508 - ■ FP23 - ■ ■ P1 | |
| | 53 | 535 | 27.20 | 14 400 | 1.5 | 63 | 2KJ3508 - ■ FP23 - ■ ■ N1 | |
| | 57 | 500 | 25.60 | 14 400 | 1.6 | 63 | 2KJ3508 - ■ FP23 - ■ ■ M1 | |
| | 60 | 475 | 24.17 | 14 400 | 1.6 | 63 | 2KJ3508 - ■ FP23 - ■ ■ L1 | |
| | 71 | 405 | 20.57 | 14 400 | 1.8 | 63 | 2KJ3508 - ■ FP23 - ■ ■ K1 | |
| | 83 | 345 | 17.62 | 14 400 | 2.1 | 63 | 2KJ3508 - ■ FP23 - ■ ■ J1 | |
| | 94 | 305 | 15.49 | 14 400 | 2.3 | 63 | 2KJ3508 - ■ FP23 - ■ ■ H1 | |
| | 111 | 255 | 13.07 | 14 400 | 2.6 | 63 | 2KJ3508 - ■ FP23 - ■ ■ G1 | |
| | 128 | 220 | 11.39 | 14 400 | 2.9 | 63 | 2KJ3508 - ■ FP23 - ■ ■ F1 | |
| | 138 | 205 | 10.51 | 14 100 | 2.2 | 63 | 2KJ3508 - ■ FP23 - ■ ■ E1 | |
| | 161 | 177 | 9.01 | 13 500 | 2.5 | 63 | 2KJ3508 - ■ FP23 - ■ ■ D1 | |
| | 184 | 156 | 7.92 | 13 100 | 2.9 | 63 | 2KJ3508 - ■ FP23 - ■ ■ C1 | |
| | 218 | 132 | 6.68 | 12 600 | 3.5 | 63 | 2KJ3508 - ■ FP23 - ■ ■ B1 | |
| | 250 | 115 | 5.82 | 12 100 | 3.8 | 63 | 2KJ3508 - ■ FP23 - ■ ■ A1 | |
| | K.69-LE100ZLSB4P | | | | | | | |
| | 43 | 655 | 33.48 | 5 960 | 0.88 | 57 | 2KJ3507 - ■ FP23 - ■ ■ Q1 | |
| | 50 | 575 | 29.18 | 6 050 | 0.97 | 57 | 2KJ3507 - ■ FP23 - ■ ■ P1 | |
| | 56 | 510 | 26.05 | 6 140 | 1.2 | 57 | 2KJ3507 - ■ FP23 - ■ ■ N1 | |
| | 59 | 480 | 24.52 | 6 150 | 1.2 | 57 | 2KJ3507 - ■ FP23 - ■ ■ M1 | |
| | 63 | 455 | 23.15 | 6 150 | 1.3 | 57 | 2KJ3507 - ■ FP23 - ■ ■ L1 | |
| | 74 | 385 | 19.70 | 6 160 | 1.4 | 57 | 2KJ3507 - ■ FP23 - ■ ■ K1 | |
| | 86 | 330 | 16.88 | 6 100 | 1.6 | 57 | 2KJ3507 - ■ FP23 - ■ ■ J1 | |
| | 98 | 290 | 14.84 | 6 030 | 1.8 | 57 | 2KJ3507 - ■ FP23 - ■ ■ H1 | |
| 116 | 245 | 12.52 | 5 910 | 2.0 | 57 | 2KJ3507 - ■ FP23 - ■ ■ G1 | | |
| 133 | 215 | 10.91 | 5 780 | 2.2 | 57 | 2KJ3507 - ■ FP23 - ■ ■ F1 | | |
| 156 | 184 | 9.34 | 5 300 | 2.0 | 57 | 2KJ3507 - ■ FP23 - ■ ■ E1 | | |
| 182 | 158 | 8.01 | 5 180 | 2.3 | 57 | 2KJ3507 - ■ FP23 - ■ ■ D1 | | |
| 207 | 139 | 7.04 | 5 070 | 2.6 | 57 | 2KJ3507 - ■ FP23 - ■ ■ C1 | | |
| 245 | 117 | 5.94 | 4 920 | 2.9 | 57 | 2KJ3507 - ■ FP23 - ■ ■ B1 | | |
| 281 | 102 | 5.18 | 4 790 | 3.2 | 57 | 2KJ3507 - ■ FP23 - ■ ■ A1 | | |
| K.49-LE100ZLSB4P | | | | | | | | |
| 55 | 515 | 26.30 | 3 070 | 0.81 | 51 | 2KJ3505 - ■ FP23 - ■ ■ P1 | | |
| 62 | 455 | 23.28 | 3 260 | 0.92 | 51 | 2KJ3505 - ■ FP23 - ■ ■ N1 | | |
| 75 | 380 | 19.38 | 3 440 | 1.1 | 51 | 2KJ3505 - ■ FP23 - ■ ■ M1 | | |
| 80 | 355 | 18.24 | 3 510 | 1.2 | 51 | 2KJ3505 - ■ FP23 - ■ ■ L1 | | |
| 89 | 320 | 16.34 | 3 550 | 1.3 | 51 | 2KJ3505 - ■ FP23 - ■ ■ K1 | | |
| 105 | 270 | 13.91 | 3 630 | 1.5 | 51 | 2KJ3505 - ■ FP23 - ■ ■ J1 | | |
| 122 | 235 | 11.93 | 3 610 | 1.8 | 51 | 2KJ3505 - ■ FP23 - ■ ■ H1 | | |
| 142 | 200 | 10.27 | 3 620 | 2.1 | 51 | 2KJ3505 - ■ FP23 - ■ ■ G1 | | |
| 149 | 192 | 9.75 | 3 490 | 1.4 | 51 | 2KJ3505 - ■ FP23 - ■ ■ F1 | | |
| 158 | 181 | 9.18 | 3 480 | 1.5 | 51 | 2KJ3505 - ■ FP23 - ■ ■ E1 | | |
| 177 | 162 | 8.22 | 3 460 | 1.6 | 51 | 2KJ3505 - ■ FP23 - ■ ■ D1 | | |
| 208 | 138 | 7.00 | 3 410 | 1.7 | 51 | 2KJ3505 - ■ FP23 - ■ ■ C1 | | |
| 242 | 118 | 6.00 | 3 350 | 1.9 | 51 | 2KJ3505 - ■ FP23 - ■ ■ B1 | | |
| 281 | 102 | 5.17 | 3 270 | 2.1 | 51 | 2KJ3505 - ■ FP23 - ■ ■ A1 | | |

Article No. supplement

Shaft design

1, 5, 6, 7 or 9

Frequency and voltage

2 or 9

Gearbox mounting type

A, D, F or H

→ page 10/44

→ page 11/2

→ page 10/37

Selection and ordering data (continued)

| P_{rated} kW | n_2 rpm | T_2 Nm | i - | F_{R2} N | f_B - | m kg | Article No. (Article No. supplement → below) | Order code No. of poles | |
|--------------------------|-------------------------|------------------------|----------|---------------|------------|-----------|---|----------------------------|-----|
| 3 | B.49-LE100ZLSB4P | | | | | | | | |
| | 52 | 545 | 27.74 | 6 070 | 0.82 | 48 | 2KJ3503 - ■ FP23 - ■ ■ T1 | | |
| | 57 | 495 | 25.32 | 6 110 | 0.90 | 48 | 2KJ3503 - ■ FP23 - ■ ■ S1 | | |
| | 69 | 410 | 21.01 | 6 110 | 1.1 | 48 | 2KJ3503 - ■ FP23 - ■ ■ R1 | | |
| | 74 | 385 | 19.77 | 6 100 | 1.2 | 48 | 2KJ3503 - ■ FP23 - ■ ■ Q1 | | |
| | 78 | 365 | 18.67 | 6 070 | 1.2 | 48 | 2KJ3503 - ■ FP23 - ■ ■ P1 | | |
| | 92 | 310 | 15.89 | 5 990 | 1.4 | 48 | 2KJ3503 - ■ FP23 - ■ ■ N1 | | |
| | 107 | 265 | 13.61 | 5 880 | 1.7 | 48 | 2KJ3503 - ■ FP23 - ■ ■ M1 | | |
| | 122 | 235 | 11.97 | 5 760 | 1.9 | 48 | 2KJ3503 - ■ FP23 - ■ ■ L1 | | |
| | 144 | 199 | 10.10 | 5 600 | 2.3 | 48 | 2KJ3503 - ■ FP23 - ■ ■ K1 | | |
| | 165 | 173 | 8.80 | 5 460 | 2.6 | 48 | 2KJ3503 - ■ FP23 - ■ ■ J1 | | |
| | 176 | 163 | 8.29 | 5 520 | 2.0 | 48 | 2KJ3503 - ■ FP23 - ■ ■ H1 | | |
| | 187 | 154 | 7.80 | 5 450 | 2.1 | 48 | 2KJ3503 - ■ FP23 - ■ ■ G1 | | |
| | 197 | 145 | 7.37 | 5 380 | 2.3 | 48 | 2KJ3503 - ■ FP23 - ■ ■ F1 | | |
| | 232 | 123 | 6.27 | 5 180 | 2.7 | 48 | 2KJ3503 - ■ FP23 - ■ ■ E1 | | |
| | 271 | 106 | 5.37 | 4 980 | 3.1 | 48 | 2KJ3503 - ■ FP23 - ■ ■ D1 | | |
| | 308 | 93 | 4.72 | 4 820 | 3.6 | 48 | 2KJ3503 - ■ FP23 - ■ ■ C1 | | |
| | 366 | 78 | 3.98 | 4 620 | 4.2 | 48 | 2KJ3503 - ■ FP23 - ■ ■ B1 | | |
| | 419 | 68 | 3.47 | 4 450 | 4.8 | 48 | 2KJ3503 - ■ FP23 - ■ ■ A1 | | |
| | K.39-LE100ZLSB4P | | | | | | | | |
| | 114 | 250 | 12.78 | 2 950 | 0.87 | 41 | 2KJ3504 - ■ FP23 - ■ ■ H1 | | |
| | 131 | 215 | 11.09 | 3 020 | 1.0 | 41 | 2KJ3504 - ■ FP23 - ■ ■ G1 | | |
| | 145 | 198 | 10.04 | 2 730 | 0.93 | 41 | 2KJ3504 - ■ FP23 - ■ ■ F1 | | |
| | 165 | 173 | 8.81 | 2 790 | 1.1 | 41 | 2KJ3504 - ■ FP23 - ■ ■ E1 | | |
| | 182 | 157 | 7.99 | 2 810 | 1.1 | 41 | 2KJ3504 - ■ FP23 - ■ ■ D1 | | |
| | 193 | 148 | 7.52 | 2 820 | 1.2 | 41 | 2KJ3504 - ■ FP23 - ■ ■ C1 | | |
| | 219 | 131 | 6.63 | 2 810 | 1.2 | 41 | 2KJ3504 - ■ FP23 - ■ ■ B1 | | |
| | 253 | 113 | 5.75 | 2 810 | 1.3 | 41 | 2KJ3504 - ■ FP23 - ■ ■ A1 | | |
| | B.39-LE100ZLSB4P | | | | | | | | |
| | 98 | 290 | 14.90 | 5 360 | 0.85 | 41 | 2KJ3502 - ■ FP23 - ■ ■ M1 | | |
| | 104 | 275 | 14.02 | 5 330 | 0.91 | 41 | 2KJ3502 - ■ FP23 - ■ ■ L1 | | |
| | 116 | 245 | 12.56 | 5 290 | 1.0 | 41 | 2KJ3502 - ■ FP23 - ■ ■ K1 | | |
| | 136 | 210 | 10.69 | 5 180 | 1.1 | 41 | 2KJ3502 - ■ FP23 - ■ ■ J1 | | |
| | 159 | 181 | 9.17 | 5 070 | 1.3 | 41 | 2KJ3502 - ■ FP23 - ■ ■ H1 | | |
| | 184 | 155 | 7.89 | 4 950 | 1.4 | 41 | 2KJ3502 - ■ FP23 - ■ ■ G1 | | |
| | 220 | 130 | 6.60 | 4 890 | 1.5 | 41 | 2KJ3502 - ■ FP23 - ■ ■ F1 | | |
| | 234 | 122 | 6.21 | 4 830 | 1.6 | 41 | 2KJ3502 - ■ FP23 - ■ ■ E1 | | |
| | 262 | 109 | 5.56 | 4 720 | 1.8 | 41 | 2KJ3502 - ■ FP23 - ■ ■ D1 | | |
| | 307 | 93 | 4.74 | 4 540 | 2.1 | 41 | 2KJ3502 - ■ FP23 - ■ ■ C1 | | |
| | 358 | 80 | 4.06 | 4 370 | 2.5 | 41 | 2KJ3502 - ■ FP23 - ■ ■ B1 | | |
| | 416 | 69 | 3.50 | 4 210 | 2.8 | 41 | 2KJ3502 - ■ FP23 - ■ ■ A1 | | |
| | B.29-LE100ZLSB4P | | | | | | | | |
| | 346 | 83 | 4.21 | 2 600 | 0.89 | 36 | 2KJ3501 - ■ FP23 - ■ ■ B1 | | |
| | 399 | 72 | 3.65 | 2 550 | 1.0 | 36 | 2KJ3501 - ■ FP23 - ■ ■ A1 | | |
| | 4 | K.169-LE132MJ6P | | | | | | | |
| | | 4.3 | 8 790 | 223.30 | 70 000 | 1.5 | 451 | 2KJ3514 - ■ HK23 - ■ ■ F2 | P01 |
| | | 4.7 | 8 200 | 208.35 | 70 000 | 1.6 | 451 | 2KJ3514 - ■ HK23 - ■ ■ E2 | P01 |
| 5.2 | | 7 290 | 185.23 | 70 000 | 1.8 | 451 | 2KJ3514 - ■ HK23 - ■ ■ D2 | P01 | |
| 5.8 | | 6 550 | 166.31 | 70 000 | 2.0 | 451 | 2KJ3514 - ■ HK23 - ■ ■ C2 | P01 | |

Article No. supplement

Shaft design

1, 5, 6, 7 or 9

Frequency and voltage

2 or 9

Gearbox mounting type

A, D, F or H

→ page 10/44

→ page 11/2

→ page 10/37

SIMOGEAR geared motors

Bevel geared motors

Geared motors up to 55 kW

Selection and ordering data (continued)

| P_{rated} kW | n_2 rpm | T_2 Nm | i - | F_{R2} N | f_B - | m kg | Article No. (Article No. supplement → below) | Order code No. of poles |
|--------------------------|--------------------------|-------------|----------|---------------|------------|---------------------------|---|----------------------------|
| 4 | K.149-LE132MJ6P | | | | | | | |
| | 4.1 | 9 330 | 237.03 | 65 000 | 0.86 | 281 | 2KJ3513 - ■ HK23 - ■ ■ J2 | P01 |
| | 4.8 | 7 980 | 202.86 | 65 000 | 1.0 | 281 | 2KJ3513 - ■ HK23 - ■ ■ H2 | P01 |
| | 5.1 | 7 510 | 190.92 | 65 000 | 1.1 | 281 | 2KJ3513 - ■ HK23 - ■ ■ G2 | P01 |
| | 5.4 | 7 040 | 178.97 | 65 000 | 1.1 | 281 | 2KJ3513 - ■ HK23 - ■ ■ F2 | P01 |
| | K.149-LE112ZMKB4P | | | | | | | |
| | 6.2 | 6 200 | 237.03 | 65 000 | 1.3 | 254 | 2KJ3513 - ■ GJ23 - ■ ■ J2 | |
| | 7.2 | 5 300 | 202.86 | 65 000 | 1.5 | 254 | 2KJ3513 - ■ GJ23 - ■ ■ H2 | |
| | 7.6 | 4 990 | 190.92 | 65 000 | 1.6 | 254 | 2KJ3513 - ■ GJ23 - ■ ■ G2 | |
| | 8.2 | 4 680 | 178.97 | 65 000 | 1.7 | 254 | 2KJ3513 - ■ GJ23 - ■ ■ F2 | |
| | 9.2 | 4 150 | 158.65 | 65 000 | 1.9 | 254 | 2KJ3513 - ■ GJ23 - ■ ■ E2 | |
| | 10 | 3 680 | 140.93 | 65 000 | 2.2 | 254 | 2KJ3513 - ■ GJ23 - ■ ■ D2 | |
| | K.129-LE112ZMKB4P | | | | | | | |
| | 6.9 | 5 510 | 210.74 | 36 500 | 0.80 | 170 | 2KJ3512 - ■ GJ23 - ■ ■ H2 | |
| | 7.5 | 5 070 | 194.04 | 36 900 | 0.87 | 170 | 2KJ3512 - ■ GJ23 - ■ ■ G2 | |
| | 8.8 | 4 320 | 165.47 | 37 700 | 1.0 | 170 | 2KJ3512 - ■ GJ23 - ■ ■ F2 | |
| 9.4 | 4 070 | 155.74 | 37 900 | 1.1 | 170 | 2KJ3512 - ■ GJ23 - ■ ■ E2 | | |
| 10 | 3 780 | 144.53 | 38 200 | 1.2 | 170 | 2KJ3512 - ■ GJ23 - ■ ■ D2 | | |
| 11 | 3 340 | 127.77 | 38 600 | 1.3 | 170 | 2KJ3512 - ■ GJ23 - ■ ■ C2 | | |
| 13 | 2 980 | 114.06 | 39 000 | 1.5 | 170 | 2KJ3512 - ■ GJ23 - ■ ■ B2 | | |
| 14 | 2 680 | 102.64 | 39 300 | 1.6 | 170 | 2KJ3512 - ■ GJ23 - ■ ■ A2 | | |
| 16 | 2 330 | 89.09 | 39 600 | 1.9 | 170 | 2KJ3512 - ■ GJ23 - ■ ■ X1 | | |
| 18 | 2 090 | 80.12 | 39 900 | 2.1 | 170 | 2KJ3512 - ■ GJ23 - ■ ■ W1 | | |
| 21 | 1 830 | 70.03 | 40 000 | 2.4 | 170 | 2KJ3512 - ■ GJ23 - ■ ■ V1 | | |
| K.109-LE112ZMKB4P | | | | | | | | |
| 12 | 3 100 | 118.65 | 24 500 | 0.93 | 120 | 2KJ3511 - ■ GJ23 - ■ ■ B2 | | |
| 12 | 3 290 | 126.07 | 24 500 | 0.88 | 120 | 2KJ3511 - ■ GJ23 - ■ ■ C2 | | |
| 13 | 2 860 | 109.57 | 24 500 | 1.0 | 120 | 2KJ3511 - ■ GJ23 - ■ ■ A2 | | |
| 15 | 2 550 | 97.49 | 24 500 | 1.1 | 120 | 2KJ3511 - ■ GJ23 - ■ ■ X1 | | |
| 17 | 2 260 | 86.59 | 24 500 | 1.3 | 120 | 2KJ3511 - ■ GJ23 - ■ ■ W1 | | |
| 19 | 2 020 | 77.51 | 24 500 | 1.4 | 120 | 2KJ3511 - ■ GJ23 - ■ ■ V1 | | |
| 22 | 1 730 | 66.26 | 24 500 | 1.7 | 120 | 2KJ3511 - ■ GJ23 - ■ ■ U1 | | |
| 25 | 1 540 | 59.17 | 24 500 | 1.9 | 120 | 2KJ3511 - ■ GJ23 - ■ ■ T1 | | |
| 28 | 1 360 | 52.29 | 24 500 | 2.1 | 120 | 2KJ3511 - ■ GJ23 - ■ ■ S1 | | |
| 32 | 1 200 | 45.89 | 24 500 | 2.4 | 120 | 2KJ3511 - ■ GJ23 - ■ ■ R1 | | |
| K.89-LE112ZMKB4P | | | | | | | | |
| 20 | 1 920 | 73.64 | 18 100 | 0.83 | 84 | 2KJ3510 - ■ GJ23 - ■ ■ W1 | | |
| 23 | 1 680 | 64.39 | 18 100 | 0.95 | 84 | 2KJ3510 - ■ GJ23 - ■ ■ V1 | | |
| 26 | 1 440 | 55.27 | 18 100 | 1.1 | 84 | 2KJ3510 - ■ GJ23 - ■ ■ U1 | | |
| 30 | 1 270 | 48.85 | 18 100 | 1.3 | 84 | 2KJ3510 - ■ GJ23 - ■ ■ T1 | | |
| 35 | 1 080 | 41.54 | 18 100 | 1.4 | 84 | 2KJ3510 - ■ GJ23 - ■ ■ S1 | | |
| 37 | 1 020 | 39.29 | 18 100 | 1.6 | 84 | 2KJ3510 - ■ GJ23 - ■ ■ R1 | | |
| 44 | 860 | 32.96 | 18 100 | 1.9 | 84 | 2KJ3510 - ■ GJ23 - ■ ■ Q1 | | |
| 47 | 810 | 31.03 | 18 100 | 2.0 | 84 | 2KJ3510 - ■ GJ23 - ■ ■ P1 | | |
| 51 | 745 | 28.46 | 18 100 | 2.1 | 84 | 2KJ3510 - ■ GJ23 - ■ ■ N1 | | |
| 59 | 650 | 24.86 | 18 100 | 2.5 | 84 | 2KJ3510 - ■ GJ23 - ■ ■ M1 | | |
| 66 | 580 | 22.26 | 18 100 | 2.7 | 84 | 2KJ3510 - ■ GJ23 - ■ ■ L1 | | |
| 75 | 505 | 19.46 | 18 100 | 3.1 | 84 | 2KJ3510 - ■ GJ23 - ■ ■ K1 | | |

Article No. supplement

Shaft design

1, 5, 6, 7 or 9

Frequency and voltage

2 or 9

Gearbox mounting type

A, D, F or H

→ page 10/44

→ page 11/2

→ page 10/37

Selection and ordering data (continued)

| P_{rated} kW | n_2 rpm | T_2 Nm | i - | F_{R2} N | f_B - | m kg | Article No. (Article No. supplement → below) | Order code No. of poles | |
|--------------------------|-------------------------|-------------------------|----------|---------------|------------|---------------------------|---|----------------------------|--|
| 4 | K.89-LE112ZMKB4P | | | | | | | | |
| | 139 | 275 | 10.51 | 18 100 | 3.1 | 84 | 2KJ3510 - ■ GJ23 - ■ ■ E1 | | |
| | 162 | 235 | 9.02 | 18 100 | 3.4 | 84 | 2KJ3510 - ■ GJ23 - ■ ■ D1 | | |
| | 183 | 205 | 7.97 | 18 000 | 3.7 | 84 | 2KJ3510 - ■ GJ23 - ■ ■ C1 | | |
| | 215 | 177 | 6.78 | 17 300 | 4.1 | 84 | 2KJ3510 - ■ GJ23 - ■ ■ B1 | | |
| 251 | 152 | 5.81 | 16 600 | 4.4 | 84 | 2KJ3510 - ■ GJ23 - ■ ■ A1 | | | |
| | K.79-LE112ZMKB4P | | | | | | | | |
| | 40 | 945 | 36.26 | 13 700 | 0.81 | 64 | 2KJ3508 - ■ GJ23 - ■ ■ Q1 | | |
| | 45 | 855 | 32.78 | 13 900 | 0.96 | 64 | 2KJ3508 - ■ GJ23 - ■ ■ P1 | | |
| | 54 | 710 | 27.20 | 14 100 | 1.1 | 64 | 2KJ3508 - ■ GJ23 - ■ ■ N1 | | |
| | 57 | 670 | 25.60 | 14 200 | 1.2 | 64 | 2KJ3508 - ■ GJ23 - ■ ■ M1 | | |
| | 60 | 630 | 24.17 | 14 300 | 1.2 | 64 | 2KJ3508 - ■ GJ23 - ■ ■ L1 | | |
| | 71 | 535 | 20.57 | 14 400 | 1.4 | 64 | 2KJ3508 - ■ GJ23 - ■ ■ K1 | | |
| | 83 | 460 | 17.62 | 14 400 | 1.6 | 64 | 2KJ3508 - ■ GJ23 - ■ ■ J1 | | |
| | 94 | 405 | 15.49 | 14 400 | 1.7 | 64 | 2KJ3508 - ■ GJ23 - ■ ■ H1 | | |
| | 112 | 340 | 13.07 | 14 400 | 1.9 | 64 | 2KJ3508 - ■ GJ23 - ■ ■ G1 | | |
| | 128 | 295 | 11.39 | 14 000 | 2.2 | 64 | 2KJ3508 - ■ GJ23 - ■ ■ F1 | | |
| | 139 | 275 | 10.51 | 13 600 | 1.6 | 64 | 2KJ3508 - ■ GJ23 - ■ ■ E1 | | |
| | 162 | 235 | 9.01 | 13 200 | 1.9 | 64 | 2KJ3508 - ■ GJ23 - ■ ■ D1 | | |
| | 184 | 205 | 7.92 | 12 800 | 2.2 | 64 | 2KJ3508 - ■ GJ23 - ■ ■ C1 | | |
| | 219 | 175 | 6.68 | 12 300 | 2.6 | 64 | 2KJ3508 - ■ GJ23 - ■ ■ B1 | | |
| | 251 | 152 | 5.82 | 11 900 | 2.8 | 64 | 2KJ3508 - ■ GJ23 - ■ ■ A1 | | |
| | | K.69-LE112ZMKB4P | | | | | | | |
| | | 56 | 680 | 26.05 | 4 910 | 0.88 | 58 | 2KJ3507 - ■ GJ23 - ■ ■ N1 | |
| | | 60 | 640 | 24.52 | 5 000 | 0.93 | 58 | 2KJ3507 - ■ GJ23 - ■ ■ M1 | |
| 63 | | 605 | 23.15 | 5 070 | 0.97 | 58 | 2KJ3507 - ■ GJ23 - ■ ■ L1 | | |
| 74 | | 515 | 19.70 | 5 220 | 1.1 | 58 | 2KJ3507 - ■ GJ23 - ■ ■ K1 | | |
| 86 | | 440 | 16.88 | 5 310 | 1.2 | 58 | 2KJ3507 - ■ GJ23 - ■ ■ J1 | | |
| 98 | | 385 | 14.84 | 5 350 | 1.3 | 58 | 2KJ3507 - ■ GJ23 - ■ ■ H1 | | |
| 117 | | 325 | 12.52 | 5 330 | 1.5 | 58 | 2KJ3507 - ■ GJ23 - ■ ■ G1 | | |
| 134 | | 285 | 10.91 | 5 270 | 1.6 | 58 | 2KJ3507 - ■ GJ23 - ■ ■ F1 | | |
| 156 | | 240 | 9.34 | 4 790 | 1.5 | 58 | 2KJ3507 - ■ GJ23 - ■ ■ E1 | | |
| 182 | | 210 | 8.01 | 4 710 | 1.7 | 58 | 2KJ3507 - ■ GJ23 - ■ ■ D1 | | |
| 207 | | 184 | 7.04 | 4 660 | 2.0 | 58 | 2KJ3507 - ■ GJ23 - ■ ■ C1 | | |
| 246 | | 155 | 5.94 | 4 570 | 2.2 | 58 | 2KJ3507 - ■ GJ23 - ■ ■ B1 | | |
| 282 | | 136 | 5.18 | 4 480 | 2.4 | 58 | 2KJ3507 - ■ GJ23 - ■ ■ A1 | | |
| | | K.49-LE112ZMKB4P | | | | | | | |
| | 75 | 505 | 19.38 | 2 460 | 0.83 | 52 | 2KJ3505 - ■ GJ23 - ■ ■ M1 | | |
| | 80 | 475 | 18.24 | 2 560 | 0.88 | 52 | 2KJ3505 - ■ GJ23 - ■ ■ L1 | | |
| | 89 | 425 | 16.34 | 2 730 | 0.98 | 52 | 2KJ3505 - ■ GJ23 - ■ ■ K1 | | |
| | 105 | 360 | 13.91 | 2 920 | 1.2 | 52 | 2KJ3505 - ■ GJ23 - ■ ■ J1 | | |
| | 122 | 310 | 11.93 | 3 020 | 1.3 | 52 | 2KJ3505 - ■ GJ23 - ■ ■ H1 | | |
| | 142 | 265 | 10.27 | 3 110 | 1.5 | 52 | 2KJ3505 - ■ GJ23 - ■ ■ G1 | | |
| | 150 | 255 | 9.75 | 2 960 | 1.1 | 52 | 2KJ3505 - ■ GJ23 - ■ ■ F1 | | |
| | 159 | 240 | 9.18 | 2 980 | 1.1 | 52 | 2KJ3505 - ■ GJ23 - ■ ■ E1 | | |
| | 178 | 215 | 8.22 | 3 010 | 1.2 | 52 | 2KJ3505 - ■ GJ23 - ■ ■ D1 | | |
| | 209 | 183 | 7.00 | 3 030 | 1.3 | 52 | 2KJ3505 - ■ GJ23 - ■ ■ C1 | | |
| | 243 | 157 | 6.00 | 3 020 | 1.4 | 52 | 2KJ3505 - ■ GJ23 - ■ ■ B1 | | |
| | 282 | 135 | 5.17 | 2 990 | 1.6 | 52 | 2KJ3505 - ■ GJ23 - ■ ■ A1 | | |

Article No. supplement

| | |
|-----------------------|-----------------|
| Shaft design | 1, 5, 6, 7 or 9 |
| Frequency and voltage | 2 or 9 |
| Gearbox mounting type | A, D, F or H |

→ page 10/44

→ page 11/2

→ page 10/37

SIMOGEAR geared motors

Bevel geared motors

Geared motors up to 55 kW

Selection and ordering data (continued)

| P_{rated} kW | n_2 rpm | T_2 Nm | i - | F_{R2} N | f_B - | m kg | Article No. (Article No. supplement → below) | Order code No. of poles | |
|--------------------------|-------------------------|-------------------------|----------|---------------|------------|-----------|---|----------------------------|--|
| 4 | B.49-LE112ZMKB4P | | | | | | | | |
| | 69 | 550 | 21.01 | 5 170 | 0.82 | 49 | 2KJ3503 - ■ GJ23 - ■ ■ R1 | | |
| | 74 | 515 | 19.77 | 5 230 | 0.87 | 49 | 2KJ3503 - ■ GJ23 - ■ ■ Q1 | | |
| | 78 | 485 | 18.67 | 5 260 | 0.92 | 49 | 2KJ3503 - ■ GJ23 - ■ ■ P1 | | |
| | 92 | 415 | 15.89 | 5 280 | 1.1 | 49 | 2KJ3503 - ■ GJ23 - ■ ■ N1 | | |
| | 107 | 355 | 13.61 | 5 280 | 1.3 | 49 | 2KJ3503 - ■ GJ23 - ■ ■ M1 | | |
| | 122 | 310 | 11.97 | 5 250 | 1.4 | 49 | 2KJ3503 - ■ GJ23 - ■ ■ L1 | | |
| | 145 | 260 | 10.10 | 5 180 | 1.7 | 49 | 2KJ3503 - ■ GJ23 - ■ ■ K1 | | |
| | 166 | 230 | 8.80 | 5 070 | 2.0 | 49 | 2KJ3503 - ■ GJ23 - ■ ■ J1 | | |
| | 176 | 215 | 8.29 | 5 210 | 1.5 | 49 | 2KJ3503 - ■ GJ23 - ■ ■ H1 | | |
| | 187 | 200 | 7.80 | 5 170 | 1.6 | 49 | 2KJ3503 - ■ GJ23 - ■ ■ G1 | | |
| | 198 | 193 | 7.37 | 5 090 | 1.7 | 49 | 2KJ3503 - ■ GJ23 - ■ ■ F1 | | |
| | 233 | 164 | 6.27 | 4 930 | 2.0 | 49 | 2KJ3503 - ■ GJ23 - ■ ■ E1 | | |
| | 272 | 141 | 5.37 | 4 770 | 2.3 | 49 | 2KJ3503 - ■ GJ23 - ■ ■ D1 | | |
| | 309 | 123 | 4.72 | 4 640 | 2.7 | 49 | 2KJ3503 - ■ GJ23 - ■ ■ C1 | | |
| | 367 | 104 | 3.98 | 4 460 | 3.2 | 49 | 2KJ3503 - ■ GJ23 - ■ ■ B1 | | |
| | 421 | 91 | 3.47 | 4 310 | 3.6 | 49 | 2KJ3503 - ■ GJ23 - ■ ■ A1 | | |
| | | K.39-LE112ZMKB4P | | | | | | | |
| | | 183 | 205 | 7.99 | 2 300 | 0.84 | 45 | 2KJ3504 - ■ GJ23 - ■ ■ D1 | |
| | | 194 | 197 | 7.52 | 2 300 | 0.87 | 45 | 2KJ3504 - ■ GJ23 - ■ ■ C1 | |
| | | 220 | 173 | 6.63 | 2 370 | 0.93 | 45 | 2KJ3504 - ■ GJ23 - ■ ■ B1 | |
| 254 | | 150 | 5.75 | 2 420 | 1.0 | 45 | 2KJ3504 - ■ GJ23 - ■ ■ A1 | | |
| | B.39-LE112ZMKB4P | | | | | | | | |
| | 137 | 280 | 10.69 | 4 640 | 0.86 | 44 | 2KJ3502 - ■ GJ23 - ■ ■ J1 | | |
| | 159 | 240 | 9.17 | 4 600 | 0.96 | 44 | 2KJ3502 - ■ GJ23 - ■ ■ H1 | | |
| | 185 | 205 | 7.89 | 4 560 | 1.1 | 44 | 2KJ3502 - ■ GJ23 - ■ ■ G1 | | |
| | 221 | 173 | 6.60 | 4 580 | 1.2 | 44 | 2KJ3502 - ■ GJ23 - ■ ■ F1 | | |
| | 235 | 162 | 6.21 | 4 550 | 1.2 | 44 | 2KJ3502 - ■ GJ23 - ■ ■ E1 | | |
| | 263 | 145 | 5.56 | 4 460 | 1.4 | 44 | 2KJ3502 - ■ GJ23 - ■ ■ D1 | | |
| | 308 | 124 | 4.74 | 4 320 | 1.6 | 44 | 2KJ3502 - ■ GJ23 - ■ ■ C1 | | |
| | 360 | 106 | 4.06 | 4 180 | 1.9 | 44 | 2KJ3502 - ■ GJ23 - ■ ■ B1 | | |
| | 417 | 92 | 3.50 | 4 040 | 2.1 | 44 | 2KJ3502 - ■ GJ23 - ■ ■ A1 | | |
| 5.5 | K.189-LE132ZMS6P | | | | | | | | |
| | 4.9 | 10 800 | 199.51 | 104 000 | 1.8 | 683 | 2KJ3515 - ■ HL23 - ■ ■ W1 | P01 | |
| | 5.4 | 9 660 | 178.49 | 104 000 | 2.0 | 683 | 2KJ3515 - ■ HL23 - ■ ■ V1 | P01 | |
| | K.169-LE132ZMS6P | | | | | | | | |
| | 4.3 | 12 000 | 223.30 | 70 000 | 1.1 | 453 | 2KJ3514 - ■ HL23 - ■ ■ F2 | P01 | |
| | 4.7 | 11 200 | 208.35 | 70 000 | 1.2 | 453 | 2KJ3514 - ■ HL23 - ■ ■ E2 | P01 | |
| | 5.2 | 10 000 | 185.23 | 70 000 | 1.3 | 453 | 2KJ3514 - ■ HL23 - ■ ■ D2 | P01 | |
| | 5.8 | 9 000 | 166.31 | 70 000 | 1.4 | 453 | 2KJ3514 - ■ HL23 - ■ ■ C2 | P01 | |
| | 6.4 | 8 150 | 150.55 | 70 000 | 1.6 | 453 | 2KJ3514 - ■ HL23 - ■ ■ B2 | P01 | |
| | 6.6 | 8 000 | 223.30 | 70 000 | 1.6 | 453 | 2KJ3514 - ■ HJ23 - ■ ■ F2 | P01 | |
| | 7.0 | 7 470 | 208.35 | 70 000 | 1.7 | 453 | 2KJ3514 - ■ HJ23 - ■ ■ E2 | P01 | |
| | 7.9 | 6 640 | 185.23 | 70 000 | 2.0 | 453 | 2KJ3514 - ■ HJ23 - ■ ■ D2 | P01 | |
| | K.149-LE132ZMS6P | | | | | | | | |
| | 5.4 | 9 690 | 178.97 | 65 000 | 0.83 | 283 | 2KJ3513 - ■ HL23 - ■ ■ F2 | P01 | |
| | K.149-LE132ZST4P | | | | | | | | |
| | 6.2 | 8 490 | 237.03 | 65 000 | 0.94 | 283 | 2KJ3513 - ■ HJ23 - ■ ■ J2 | | |
| | 7.2 | 7 270 | 202.86 | 65 000 | 1.1 | 283 | 2KJ3513 - ■ HJ23 - ■ ■ H2 | | |

Article No. supplement

Shaft design

1, 5, 6, 7 or 9

Frequency and voltage

2 or 9

Gearbox mounting type

A, D, F or H

→ page 10/44

→ page 11/2

→ page 10/37

Selection and ordering data (continued)

| P_{rated} kW | n_2 rpm | T_2 Nm | i - | F_{R2} N | f_B - | m kg | Article No. (Article No. supplement → below) | Order code No. of poles |
|--------------------------|--------------|-------------|----------|---------------|------------|-----------|---|----------------------------|
| 5.5 | | | | | | | | |
| K.149-LE132ZST4P | | | | | | | | |
| | 7.7 | 6 840 | 190.92 | 65 000 | 1.2 | 283 | 2KJ3513 - ■ HJ23 - ■ ■ G2 | |
| | 8.2 | 6 410 | 178.97 | 65 000 | 1.2 | 283 | 2KJ3513 - ■ HJ23 - ■ ■ F2 | |
| | 9.2 | 5 680 | 158.65 | 65 000 | 1.4 | 283 | 2KJ3513 - ■ HJ23 - ■ ■ E2 | |
| | 10 | 5 050 | 140.93 | 65 000 | 1.6 | 283 | 2KJ3513 - ■ HJ23 - ■ ■ D2 | |
| | 12 | 4 550 | 127.16 | 65 000 | 1.8 | 283 | 2KJ3513 - ■ HJ23 - ■ ■ C2 | |
| | 13 | 4 040 | 112.68 | 65 000 | 2.0 | 283 | 2KJ3513 - ■ HJ23 - ■ ■ B2 | |
| | 15 | 3 570 | 99.79 | 65 000 | 2.2 | 283 | 2KJ3513 - ■ HJ23 - ■ ■ A2 | |
| K.129-LE132ZST4P | | | | | | | | |
| | 10 | 5 180 | 144.53 | 36 800 | 0.85 | 200 | 2KJ3512 - ■ HJ23 - ■ ■ D2 | |
| | 11 | 4 580 | 127.77 | 37 400 | 0.96 | 200 | 2KJ3512 - ■ HJ23 - ■ ■ C2 | |
| | 13 | 4 080 | 114.06 | 37 900 | 1.1 | 200 | 2KJ3512 - ■ HJ23 - ■ ■ B2 | |
| | 14 | 3 680 | 102.64 | 38 300 | 1.2 | 200 | 2KJ3512 - ■ HJ23 - ■ ■ A2 | |
| | 16 | 3 190 | 89.09 | 38 800 | 1.4 | 200 | 2KJ3512 - ■ HJ23 - ■ ■ X1 | |
| | 18 | 2 870 | 80.12 | 39 100 | 1.5 | 200 | 2KJ3512 - ■ HJ23 - ■ ■ W1 | |
| | 21 | 2 510 | 70.03 | 39 400 | 1.8 | 200 | 2KJ3512 - ■ HJ23 - ■ ■ V1 | |
| | 23 | 2 240 | 62.49 | 39 700 | 2.0 | 200 | 2KJ3512 - ■ HJ23 - ■ ■ U1 | |
| | 27 | 1 970 | 55.05 | 40 000 | 2.2 | 200 | 2KJ3512 - ■ HJ23 - ■ ■ T1 | |
| | 30 | 1 730 | 48.24 | 40 000 | 2.5 | 200 | 2KJ3512 - ■ HJ23 - ■ ■ S1 | |
| K.109-LE132ZST4P | | | | | | | | |
| | 15 | 3 490 | 97.49 | 24 500 | 0.83 | 151 | 2KJ3511 - ■ HJ23 - ■ ■ X1 | |
| | 17 | 3 100 | 86.59 | 24 500 | 0.93 | 151 | 2KJ3511 - ■ HJ23 - ■ ■ W1 | |
| | 19 | 2 770 | 77.51 | 24 500 | 1.0 | 151 | 2KJ3511 - ■ HJ23 - ■ ■ V1 | |
| | 22 | 2 370 | 66.26 | 24 500 | 1.2 | 151 | 2KJ3511 - ■ HJ23 - ■ ■ U1 | |
| | 25 | 2 120 | 59.17 | 24 500 | 1.4 | 151 | 2KJ3511 - ■ HJ23 - ■ ■ T1 | |
| | 28 | 1 870 | 52.29 | 24 500 | 1.5 | 151 | 2KJ3511 - ■ HJ23 - ■ ■ S1 | |
| | 32 | 1 640 | 45.89 | 24 500 | 1.8 | 151 | 2KJ3511 - ■ HJ23 - ■ ■ R1 | |
| | 37 | 1 430 | 39.95 | 24 500 | 2.0 | 151 | 2KJ3511 - ■ HJ23 - ■ ■ Q1 | |
| | 43 | 1 220 | 34.15 | 24 500 | 2.2 | 151 | 2KJ3511 - ■ HJ23 - ■ ■ P1 | |
| | 50 | 1 040 | 29.23 | 24 500 | 2.5 | 151 | 2KJ3511 - ■ HJ23 - ■ ■ N1 | |
| | 59 | 895 | 24.98 | 24 500 | 2.7 | 151 | 2KJ3511 - ■ HJ23 - ■ ■ M1 | |
| | 66 | 800 | 22.31 | 24 500 | 3.0 | 151 | 2KJ3511 - ■ HJ23 - ■ ■ L1 | |
| | 140 | 375 | 10.45 | 21 400 | 3.4 | 151 | 2KJ3511 - ■ HJ23 - ■ ■ E1 | |
| | 160 | 325 | 9.17 | 20 700 | 3.9 | 151 | 2KJ3511 - ■ HJ23 - ■ ■ D1 | |
| K.89-LE132ZST4P | | | | | | | | |
| | 27 | 1 980 | 55.27 | 18 100 | 0.81 | 115 | 2KJ3510 - ■ HJ23 - ■ ■ U1 | |
| | 30 | 1 750 | 48.85 | 18 100 | 0.91 | 115 | 2KJ3510 - ■ HJ23 - ■ ■ T1 | |
| | 35 | 1 480 | 41.54 | 18 100 | 1.1 | 115 | 2KJ3510 - ■ HJ23 - ■ ■ S1 | |
| | 37 | 1 400 | 39.29 | 18 100 | 1.1 | 115 | 2KJ3510 - ■ HJ23 - ■ ■ R1 | |
| | 44 | 1 180 | 32.96 | 18 100 | 1.4 | 115 | 2KJ3510 - ■ HJ23 - ■ ■ Q1 | |
| | 47 | 1 110 | 31.03 | 18 100 | 1.4 | 115 | 2KJ3510 - ■ HJ23 - ■ ■ P1 | |
| | 51 | 1 020 | 28.46 | 18 100 | 1.6 | 115 | 2KJ3510 - ■ HJ23 - ■ ■ N1 | |
| | 59 | 890 | 24.86 | 18 100 | 1.8 | 115 | 2KJ3510 - ■ HJ23 - ■ ■ M1 | |
| | 66 | 795 | 22.26 | 18 100 | 2.0 | 115 | 2KJ3510 - ■ HJ23 - ■ ■ L1 | |
| | 75 | 695 | 19.46 | 18 100 | 2.2 | 115 | 2KJ3510 - ■ HJ23 - ■ ■ K1 | |
| | 88 | 595 | 16.71 | 18 100 | 2.5 | 115 | 2KJ3510 - ■ HJ23 - ■ ■ J1 | |
| | 99 | 530 | 14.77 | 18 100 | 2.7 | 115 | 2KJ3510 - ■ HJ23 - ■ ■ H1 | |
| | 117 | 450 | 12.56 | 18 100 | 3.0 | 115 | 2KJ3510 - ■ HJ23 - ■ ■ G1 | |

Article No. supplement

Shaft design

1, 5, 6, 7 or 9

Frequency and voltage

2 or 9

Gearbox mounting type

A, D, F or H

→ page 10/44

→ page 11/2

→ page 10/37

SIMOGEAR geared motors

Bevel geared motors

Geared motors up to 55 kW

Selection and ordering data (continued)

| P_{rated} kW | n_2 rpm | T_2 Nm | i - | F_{R2} N | f_B - | m kg | Article No. (Article No. supplement → below) | Order code No. of poles |
|--------------------------|--------------|-------------|----------|---------------|------------|-----------|---|----------------------------|
| 5.5 | | | | | | | | |
| K.89-LE13ZST4P | | | | | | | | |
| | 136 | 385 | 10.76 | 18 100 | 3.2 | 115 | 2KJ3510 - ■ HJ23 - ■ ■ F1 | |
| | 139 | 375 | 10.51 | 18 100 | 2.2 | 115 | 2KJ3510 - ■ HJ23 - ■ ■ E1 | |
| | 162 | 320 | 9.02 | 18 100 | 2.5 | 115 | 2KJ3510 - ■ HJ23 - ■ ■ D1 | |
| | 184 | 285 | 7.97 | 17 500 | 2.7 | 115 | 2KJ3510 - ■ HJ23 - ■ ■ C1 | |
| | 216 | 240 | 6.78 | 16 900 | 3.0 | 115 | 2KJ3510 - ■ HJ23 - ■ ■ B1 | |
| | 252 | 205 | 5.81 | 16 300 | 3.2 | 115 | 2KJ3510 - ■ HJ23 - ■ ■ A1 | |
| K.79-LE13ZST4P | | | | | | | | |
| | 54 | 975 | 27.20 | 13 600 | 0.82 | 94 | 2KJ3508 - ■ HJ23 - ■ ■ N1 | |
| | 57 | 915 | 25.60 | 13 700 | 0.86 | 94 | 2KJ3508 - ■ HJ23 - ■ ■ M1 | |
| | 61 | 865 | 24.17 | 13 800 | 0.89 | 94 | 2KJ3508 - ■ HJ23 - ■ ■ L1 | |
| | 71 | 735 | 20.57 | 14 100 | 1.0 | 94 | 2KJ3508 - ■ HJ23 - ■ ■ K1 | |
| | 83 | 630 | 17.62 | 14 300 | 1.1 | 94 | 2KJ3508 - ■ HJ23 - ■ ■ J1 | |
| | 95 | 555 | 15.49 | 14 000 | 1.3 | 94 | 2KJ3508 - ■ HJ23 - ■ ■ H1 | |
| | 112 | 465 | 13.07 | 13 700 | 1.4 | 94 | 2KJ3508 - ■ HJ23 - ■ ■ G1 | |
| | 129 | 405 | 11.39 | 13 300 | 1.6 | 94 | 2KJ3508 - ■ HJ23 - ■ ■ F1 | |
| | 139 | 375 | 10.51 | 13 000 | 1.2 | 94 | 2KJ3508 - ■ HJ23 - ■ ■ E1 | |
| | 163 | 320 | 9.01 | 12 600 | 1.4 | 94 | 2KJ3508 - ■ HJ23 - ■ ■ D1 | |
| | 185 | 280 | 7.92 | 12 300 | 1.6 | 94 | 2KJ3508 - ■ HJ23 - ■ ■ C1 | |
| | 219 | 235 | 6.68 | 11 900 | 1.9 | 94 | 2KJ3508 - ■ HJ23 - ■ ■ B1 | |
| | 252 | 205 | 5.82 | 11 500 | 2.1 | 94 | 2KJ3508 - ■ HJ23 - ■ ■ A1 | |
| K.69-LE13ZST4P | | | | | | | | |
| | 87 | 605 | 16.88 | 4 120 | 0.88 | 88 | 2KJ3507 - ■ HJ23 - ■ ■ J1 | |
| | 99 | 530 | 14.84 | 4 300 | 0.97 | 88 | 2KJ3507 - ■ HJ23 - ■ ■ H1 | |
| | 117 | 445 | 12.52 | 4 460 | 1.1 | 88 | 2KJ3507 - ■ HJ23 - ■ ■ G1 | |
| | 134 | 390 | 10.91 | 4 510 | 1.2 | 88 | 2KJ3507 - ■ HJ23 - ■ ■ F1 | |
| | 157 | 335 | 9.34 | 3 930 | 1.1 | 88 | 2KJ3507 - ■ HJ23 - ■ ■ E1 | |
| | 183 | 285 | 8.01 | 4 030 | 1.3 | 88 | 2KJ3507 - ■ HJ23 - ■ ■ D1 | |
| | 208 | 250 | 7.04 | 4 060 | 1.4 | 88 | 2KJ3507 - ■ HJ23 - ■ ■ C1 | |
| | 247 | 210 | 5.94 | 4 080 | 1.6 | 88 | 2KJ3507 - ■ HJ23 - ■ ■ B1 | |
| | 283 | 186 | 5.18 | 4 020 | 1.8 | 88 | 2KJ3507 - ■ HJ23 - ■ ■ A1 | |
| K.49-LE13ZST4P | | | | | | | | |
| | 105 | 495 | 13.91 | 1 860 | 0.84 | 82 | 2KJ3505 - ■ HJ23 - ■ ■ J1 | |
| | 123 | 425 | 11.93 | 2 120 | 0.98 | 82 | 2KJ3505 - ■ HJ23 - ■ ■ H1 | |
| | 143 | 365 | 10.27 | 2 320 | 1.1 | 82 | 2KJ3505 - ■ HJ23 - ■ ■ G1 | |
| | 160 | 325 | 9.18 | 2 270 | 0.82 | 82 | 2KJ3505 - ■ HJ23 - ■ ■ E1 | |
| | 178 | 295 | 8.22 | 2 340 | 0.87 | 82 | 2KJ3505 - ■ HJ23 - ■ ■ D1 | |
| | 209 | 250 | 7.00 | 2 460 | 0.96 | 82 | 2KJ3505 - ■ HJ23 - ■ ■ C1 | |
| | 244 | 215 | 6.00 | 2 530 | 1.0 | 82 | 2KJ3505 - ■ HJ23 - ■ ■ B1 | |
| | 283 | 185 | 5.17 | 2 570 | 1.1 | 82 | 2KJ3505 - ■ HJ23 - ■ ■ A1 | |
| B.49-LE13ZST4P | | | | | | | | |
| | 108 | 485 | 13.61 | 4 400 | 0.92 | 79 | 2KJ3503 - ■ HJ23 - ■ ■ M1 | |
| | 122 | 425 | 11.97 | 4 480 | 1.0 | 79 | 2KJ3503 - ■ HJ23 - ■ ■ L1 | |
| | 145 | 360 | 10.10 | 4 510 | 1.2 | 79 | 2KJ3503 - ■ HJ23 - ■ ■ K1 | |
| | 166 | 315 | 8.80 | 4 500 | 1.4 | 79 | 2KJ3503 - ■ HJ23 - ■ ■ J1 | |
| | 177 | 295 | 8.29 | 4 730 | 1.1 | 79 | 2KJ3503 - ■ HJ23 - ■ ■ H1 | |
| | 188 | 280 | 7.80 | 4 690 | 1.2 | 79 | 2KJ3503 - ■ HJ23 - ■ ■ G1 | |
| | 199 | 260 | 7.37 | 4 690 | 1.2 | 79 | 2KJ3503 - ■ HJ23 - ■ ■ F1 | |

Article No. supplement

Shaft design

1, 5, 6, 7 or 9

Frequency and voltage

2 or 9

Gearbox mounting type

A, D, F or H

→ page 10/44

→ page 11/2

→ page 10/37

Selection and ordering data (continued)

| P_{rated} kW | n_2 rpm | T_2 Nm | i - | F_{R2} N | f_B - | m kg | Article No. (Article No. supplement → below) | Order code No. of poles |
|--------------------------|-------------------------|-------------|----------|---------------|------------|---------------------------|---|----------------------------|
| 5.5 | B.49-LE132ZST4P | | | | | | | |
| | 234 | 225 | 6.27 | 4 570 | 1.5 | 79 | 2KJ3503 - ■ HJ23 - ■ ■ E1 | |
| | 273 | 193 | 5.37 | 4 460 | 1.7 | 79 | 2KJ3503 - ■ HJ23 - ■ ■ D1 | |
| | 310 | 169 | 4.72 | 4 360 | 2.0 | 79 | 2KJ3503 - ■ HJ23 - ■ ■ C1 | |
| | 368 | 143 | 3.98 | 4 220 | 2.3 | 79 | 2KJ3503 - ■ HJ23 - ■ ■ B1 | |
| | 422 | 124 | 3.47 | 4 110 | 2.6 | 79 | 2KJ3503 - ■ HJ23 - ■ ■ A1 | |
| 7.5 | K.189-LE132ZMS4P | | | | | | | |
| | 7.4 | 9 720 | 199.51 | 104 000 | 2.0 | 683 | 2KJ3515 - ■ HL23 - ■ ■ W1 | |
| | K.169-LE132ZMS4P | | | | | | | |
| | 6.6 | 10 800 | 223.30 | 70 000 | 1.2 | 453 | 2KJ3514 - ■ HL23 - ■ ■ F2 | |
| | 7.1 | 10 100 | 208.35 | 70 000 | 1.3 | 453 | 2KJ3514 - ■ HL23 - ■ ■ E2 | |
| | 7.9 | 9 020 | 185.23 | 70 000 | 1.4 | 453 | 2KJ3514 - ■ HL23 - ■ ■ D2 | |
| | 8.8 | 8 100 | 166.31 | 70 000 | 1.6 | 453 | 2KJ3514 - ■ HL23 - ■ ■ C2 | |
| | 9.8 | 7 330 | 150.55 | 70 000 | 1.8 | 453 | 2KJ3514 - ■ HL23 - ■ ■ B2 | |
| | 11 | 6 440 | 132.24 | 70 000 | 2.0 | 453 | 2KJ3514 - ■ HL23 - ■ ■ A2 | |
| | 12 | 5 830 | 119.83 | 70 000 | 2.2 | 453 | 2KJ3514 - ■ HL23 - ■ ■ X1 | |
| | K.149-LE132ZMS4P | | | | | | | |
| | 7.2 | 9 880 | 202.86 | 65 000 | 0.81 | 283 | 2KJ3513 - ■ HL23 - ■ ■ H2 | |
| | 7.7 | 9 300 | 190.92 | 65 000 | 0.86 | 283 | 2KJ3513 - ■ HL23 - ■ ■ G2 | |
| | 8.2 | 8 720 | 178.97 | 65 000 | 0.92 | 283 | 2KJ3513 - ■ HL23 - ■ ■ F2 | |
| | 9.3 | 7 730 | 158.65 | 65 000 | 1.0 | 283 | 2KJ3513 - ■ HL23 - ■ ■ E2 | |
| | 10 | 6 860 | 140.93 | 65 000 | 1.2 | 283 | 2KJ3513 - ■ HL23 - ■ ■ D2 | |
| | 12 | 6 190 | 127.16 | 65 000 | 1.3 | 283 | 2KJ3513 - ■ HL23 - ■ ■ C2 | |
| | 13 | 5 490 | 112.68 | 65 000 | 1.5 | 283 | 2KJ3513 - ■ HL23 - ■ ■ B2 | |
| | 15 | 4 860 | 99.79 | 64 000 | 1.6 | 283 | 2KJ3513 - ■ HL23 - ■ ■ A2 | |
| | 17 | 4 320 | 88.81 | 62 900 | 1.8 | 283 | 2KJ3513 - ■ HL23 - ■ ■ X1 | |
| | 18 | 3 870 | 79.59 | 61 700 | 2.1 | 283 | 2KJ3513 - ■ HL23 - ■ ■ W1 | |
| | 21 | 3 430 | 70.56 | 60 400 | 2.3 | 283 | 2KJ3513 - ■ HL23 - ■ ■ V1 | |
| | K.129-LE132ZMS4P | | | | | | | |
| | 14 | 5 000 | 102.64 | 37 000 | 0.88 | 200 | 2KJ3512 - ■ HL23 - ■ ■ A2 | |
| | 17 | 4 340 | 89.09 | 37 700 | 1.0 | 200 | 2KJ3512 - ■ HL23 - ■ ■ X1 | |
| | 18 | 3 900 | 80.12 | 38 100 | 1.1 | 200 | 2KJ3512 - ■ HL23 - ■ ■ W1 | |
| | 21 | 3 410 | 70.03 | 38 600 | 1.3 | 200 | 2KJ3512 - ■ HL23 - ■ ■ V1 | |
| | 24 | 3 040 | 62.49 | 38 900 | 1.4 | 200 | 2KJ3512 - ■ HL23 - ■ ■ U1 | |
| | 27 | 2 680 | 55.05 | 39 300 | 1.6 | 200 | 2KJ3512 - ■ HL23 - ■ ■ T1 | |
| | 30 | 2 350 | 48.24 | 39 200 | 1.9 | 200 | 2KJ3512 - ■ HL23 - ■ ■ S1 | |
| | 35 | 2 040 | 42.04 | 38 300 | 2.1 | 200 | 2KJ3512 - ■ HL23 - ■ ■ R1 | |
| | 38 | 1 870 | 38.37 | 37 700 | 2.4 | 200 | 2KJ3512 - ■ HL23 - ■ ■ Q1 | |
| | 45 | 1 600 | 33.03 | 36 700 | 2.7 | 200 | 2KJ3512 - ■ HL23 - ■ ■ P1 | |
| | K.109-LE132ZMS4P | | | | | | | |
| | 22 | 3 220 | 66.26 | 24 500 | 0.9 | 151 | 2KJ3511 - ■ HL23 - ■ ■ U1 | |
| | 25 | 2 880 | 59.17 | 24 500 | 1.0 | 151 | 2KJ3511 - ■ HL23 - ■ ■ T1 | |
| | 28 | 2 540 | 52.29 | 24 500 | 1.1 | 151 | 2KJ3511 - ■ HL23 - ■ ■ S1 | |
| | 32 | 2 230 | 45.89 | 24 500 | 1.3 | 151 | 2KJ3511 - ■ HL23 - ■ ■ R1 | |
| | 37 | 1 940 | 39.95 | 24 500 | 1.4 | 151 | 2KJ3511 - ■ HL23 - ■ ■ Q1 | |
| | 43 | 1 660 | 34.15 | 24 500 | 1.6 | 151 | 2KJ3511 - ■ HL23 - ■ ■ P1 | |
| | 50 | 1 420 | 29.23 | 24 500 | 1.8 | 151 | 2KJ3511 - ■ HL23 - ■ ■ N1 | |
| | 59 | 1 210 | 24.98 | 24 500 | 2 | 151 | 2KJ3511 - ■ HL23 - ■ ■ M1 | |
| 66 | 1 080 | 22.31 | 24 500 | 2.2 | 151 | 2KJ3511 - ■ HL23 - ■ ■ L1 | | |

Article No. supplement

| | |
|-----------------------|------------------------|
| Shaft design | 1, 5, 6, 7 or 9 |
| Frequency and voltage | 2 or 9 |
| Gearbox mounting type | A, D, F or H |

→ page 10/44

→ page 11/2

→ page 10/37

SIMOGEAR geared motors

Bevel geared motors

Geared motors up to 55 kW

Selection and ordering data (continued)

| P_{rated} kW | n_2 rpm | T_2 Nm | i - | F_{R2} N | f_B - | m kg | Article No. (Article No. supplement → below) | Order code No. of poles |
|--------------------------|--------------|-------------|----------|---------------|------------|-----------|---|----------------------------|
| 7.5 | | | | | | | | |
| K.109-LE132ZMS4P | | | | | | | | |
| | 75 | 960 | 19.71 | 24 200 | 2.5 | 151 | 2KJ3511 - ■ HL23 - ■ ■ K1 | |
| | 85 | 840 | 17.30 | 23 600 | 2.8 | 151 | 2KJ3511 - ■ HL23 - ■ ■ J1 | |
| | 98 | 730 | 15.06 | 22 900 | 3.1 | 151 | 2KJ3511 - ■ HL23 - ■ ■ H1 | |
| | 114 | 625 | 12.87 | 22 100 | 3.5 | 151 | 2KJ3511 - ■ HL23 - ■ ■ G1 | |
| | 141 | 505 | 10.45 | 20 800 | 2.5 | 151 | 2KJ3511 - ■ HL23 - ■ ■ E1 | |
| | 160 | 445 | 9.17 | 20 200 | 2.8 | 151 | 2KJ3511 - ■ HL23 - ■ ■ D1 | |
| | 184 | 385 | 7.99 | 19 500 | 3.3 | 151 | 2KJ3511 - ■ HL23 - ■ ■ C1 | |
| | 215 | 330 | 6.83 | 18 800 | 3.9 | 151 | 2KJ3511 - ■ HL23 - ■ ■ B1 | |
| | 252 | 285 | 5.84 | 18 100 | 4.6 | 151 | 2KJ3511 - ■ HL23 - ■ ■ A1 | |
| K.89-LE132ZMS4P | | | | | | | | |
| | 37 | 1 910 | 39.29 | 18 100 | 0.84 | 115 | 2KJ3510 - ■ HL23 - ■ ■ R1 | |
| | 45 | 1 600 | 32.96 | 18 100 | 1.0 | 115 | 2KJ3510 - ■ HL23 - ■ ■ Q1 | |
| | 47 | 1 510 | 31.03 | 18 100 | 1.1 | 115 | 2KJ3510 - ■ HL23 - ■ ■ P1 | |
| | 52 | 1 380 | 28.46 | 18 100 | 1.2 | 115 | 2KJ3510 - ■ HL23 - ■ ■ N1 | |
| | 59 | 1 210 | 24.86 | 18 100 | 1.3 | 115 | 2KJ3510 - ■ HL23 - ■ ■ M1 | |
| | 66 | 1 080 | 22.26 | 18 100 | 1.5 | 115 | 2KJ3510 - ■ HL23 - ■ ■ L1 | |
| | 76 | 945 | 19.46 | 18 100 | 1.6 | 115 | 2KJ3510 - ■ HL23 - ■ ■ K1 | |
| | 88 | 810 | 16.71 | 18 100 | 1.8 | 115 | 2KJ3510 - ■ HL23 - ■ ■ J1 | |
| | 100 | 720 | 14.77 | 18 100 | 2.0 | 115 | 2KJ3510 - ■ HL23 - ■ ■ H1 | |
| | 117 | 610 | 12.56 | 18 100 | 2.2 | 115 | 2KJ3510 - ■ HL23 - ■ ■ G1 | |
| | 137 | 520 | 10.76 | 18 100 | 2.4 | 115 | 2KJ3510 - ■ HL23 - ■ ■ F1 | |
| | 140 | 510 | 10.51 | 17 900 | 1.7 | 115 | 2KJ3510 - ■ HL23 - ■ ■ E1 | |
| | 163 | 435 | 9.02 | 17 400 | 1.8 | 115 | 2KJ3510 - ■ HL23 - ■ ■ D1 | |
| | 184 | 385 | 7.97 | 16 900 | 2.0 | 115 | 2KJ3510 - ■ HL23 - ■ ■ C1 | |
| | 217 | 330 | 6.78 | 16 400 | 2.2 | 115 | 2KJ3510 - ■ HL23 - ■ ■ B1 | |
| | 253 | 280 | 5.81 | 15 800 | 2.4 | 115 | 2KJ3510 - ■ HL23 - ■ ■ A1 | |
| K.79-LE132ZMS4P | | | | | | | | |
| | 83 | 855 | 17.62 | 12 900 | 0.83 | 94 | 2KJ3508 - ■ HL23 - ■ ■ J1 | |
| | 95 | 755 | 15.49 | 12 800 | 0.92 | 94 | 2KJ3508 - ■ HL23 - ■ ■ H1 | |
| | 112 | 635 | 13.07 | 12 700 | 1.0 | 94 | 2KJ3508 - ■ HL23 - ■ ■ G1 | |
| | 129 | 555 | 11.39 | 12 500 | 1.2 | 94 | 2KJ3508 - ■ HL23 - ■ ■ F1 | |
| | 140 | 510 | 10.51 | 12 100 | 0.87 | 94 | 2KJ3508 - ■ HL23 - ■ ■ E1 | |
| | 163 | 435 | 9.01 | 11 900 | 1.0 | 94 | 2KJ3508 - ■ HL23 - ■ ■ D1 | |
| | 186 | 385 | 7.92 | 11 600 | 1.2 | 94 | 2KJ3508 - ■ HL23 - ■ ■ C1 | |
| | 220 | 325 | 6.68 | 11 300 | 1.4 | 94 | 2KJ3508 - ■ HL23 - ■ ■ B1 | |
| | 253 | 280 | 5.82 | 11 100 | 1.5 | 94 | 2KJ3508 - ■ HL23 - ■ ■ A1 | |
| K.69-LE132ZMS4P | | | | | | | | |
| | 117 | 610 | 12.52 | 3 280 | 0.80 | 88 | 2KJ3507 - ■ HL23 - ■ ■ G1 | |
| | 135 | 530 | 10.91 | 3 510 | 0.88 | 88 | 2KJ3507 - ■ HL23 - ■ ■ F1 | |
| | 157 | 455 | 9.34 | 2 850 | 0.81 | 88 | 2KJ3507 - ■ HL23 - ■ ■ E1 | |
| | 184 | 390 | 8.01 | 3 080 | 0.94 | 88 | 2KJ3507 - ■ HL23 - ■ ■ D1 | |
| | 209 | 340 | 7.04 | 3 250 | 1.1 | 88 | 2KJ3507 - ■ HL23 - ■ ■ C1 | |
| | 247 | 285 | 5.94 | 3 400 | 1.2 | 88 | 2KJ3507 - ■ HL23 - ■ ■ B1 | |
| | 284 | 250 | 5.18 | 3 440 | 1.3 | 88 | 2KJ3507 - ■ HL23 - ■ ■ A1 | |
| K.49-LE132ZMS4P | | | | | | | | |
| | 143 | 500 | 10.27 | 1 260 | 0.83 | 82 | 2KJ3505 - ■ HL23 - ■ ■ G1 | |
| | 284 | 250 | 5.17 | 2 020 | 0.83 | 82 | 2KJ3505 - ■ HL23 - ■ ■ A1 | |

Article No. supplement

Shaft design

1, 5, 6, 7 or 9

Frequency and voltage

2 or 9

Gearbox mounting type

A, D, F or H

→ page 10/44

→ page 11/2

→ page 10/37

Selection and ordering data (continued)

| P_{rated} kW | n_2 rpm | T_2 Nm | i - | F_{R2} N | f_B - | m kg | Article No. (Article No. supplement → below) | Order code No. of poles |
|--------------------------|-------------------------|-------------|----------|---------------|------------|---------------------------|---|----------------------------|
| 7.5 | B.49-LE132ZMS4P | | | | | | | |
| | 146 | 490 | 10.10 | 3 640 | 0.91 | 79 | 2KJ3503 - ■ HL23 - ■ ■ K1 | |
| | 167 | 425 | 8.80 | 3 760 | 1.0 | 79 | 2KJ3503 - ■ HL23 - ■ ■ J1 | |
| | 177 | 400 | 8.29 | 4 100 | 0.82 | 79 | 2KJ3503 - ■ HL23 - ■ ■ H1 | |
| | 188 | 380 | 7.80 | 4 090 | 0.87 | 79 | 2KJ3503 - ■ HL23 - ■ ■ G1 | |
| | 199 | 355 | 7.37 | 4 120 | 0.92 | 79 | 2KJ3503 - ■ HL23 - ■ ■ F1 | |
| | 234 | 305 | 6.27 | 4 090 | 1.1 | 79 | 2KJ3503 - ■ HL23 - ■ ■ E1 | |
| | 274 | 260 | 5.37 | 4 060 | 1.3 | 79 | 2KJ3503 - ■ HL23 - ■ ■ D1 | |
| | 311 | 230 | 4.72 | 4 000 | 1.4 | 79 | 2KJ3503 - ■ HL23 - ■ ■ C1 | |
| | 369 | 194 | 3.98 | 3 920 | 1.7 | 79 | 2KJ3503 - ■ HL23 - ■ ■ B1 | |
| 424 | 169 | 3.47 | 3 840 | 1.9 | 79 | 2KJ3503 - ■ HL23 - ■ ■ A1 | | |
| 9.2 | K.189-LE160MPA4P | | | | | | | |
| | 7.4 | 11 900 | 199.51 | 104 000 | 1.6 | 700 | 2KJ3515 - ■ JQ23 - ■ ■ W1 | |
| | 8.2 | 10 600 | 178.49 | 104 000 | 1.8 | 700 | 2KJ3515 - ■ JQ23 - ■ ■ V1 | |
| | 9.1 | 9 620 | 160.98 | 104 000 | 2.0 | 700 | 2KJ3515 - ■ JQ23 - ■ ■ U1 | |
| | K.169-LE160MPA4P | | | | | | | |
| | 6.6 | 13 300 | 223.30 | 70 000 | 0.97 | 469 | 2KJ3514 - ■ JQ23 - ■ ■ F2 | |
| | 7.1 | 12 400 | 208.35 | 70 000 | 1.0 | 469 | 2KJ3514 - ■ JQ23 - ■ ■ E2 | |
| | 7.9 | 11 000 | 185.23 | 70 000 | 1.2 | 469 | 2KJ3514 - ■ JQ23 - ■ ■ D2 | |
| | 8.8 | 9 940 | 166.31 | 70 000 | 1.3 | 469 | 2KJ3514 - ■ JQ23 - ■ ■ C2 | |
| | 9.8 | 8 990 | 150.55 | 70 000 | 1.4 | 469 | 2KJ3514 - ■ JQ23 - ■ ■ B2 | |
| | 11 | 7 900 | 132.24 | 70 000 | 1.6 | 469 | 2KJ3514 - ■ JQ23 - ■ ■ A2 | |
| | 12 | 7 160 | 119.83 | 70 000 | 1.8 | 469 | 2KJ3514 - ■ JQ23 - ■ ■ X1 | |
| | 14 | 6 370 | 106.72 | 70 000 | 2.0 | 469 | 2KJ3514 - ■ JQ23 - ■ ■ W1 | |
| | K.149-LE160MPA4P | | | | | | | |
| | 9.3 | 9 480 | 158.65 | 62 700 | 0.84 | 301 | 2KJ3513 - ■ JQ23 - ■ ■ E2 | |
| | 10 | 8 420 | 140.93 | 62 600 | 0.95 | 301 | 2KJ3513 - ■ JQ23 - ■ ■ D2 | |
| | 12 | 7 600 | 127.16 | 62 200 | 1.1 | 301 | 2KJ3513 - ■ JQ23 - ■ ■ C2 | |
| | 13 | 6 730 | 112.68 | 61 700 | 1.2 | 301 | 2KJ3513 - ■ JQ23 - ■ ■ B2 | |
| | 15 | 5 960 | 99.79 | 61 000 | 1.3 | 301 | 2KJ3513 - ■ JQ23 - ■ ■ A2 | |
| | 17 | 5 300 | 88.81 | 60 100 | 1.5 | 301 | 2KJ3513 - ■ JQ23 - ■ ■ X1 | |
| | 18 | 4 750 | 79.59 | 59 200 | 1.7 | 301 | 2KJ3513 - ■ JQ23 - ■ ■ W1 | |
| | 21 | 4 210 | 70.56 | 58 200 | 1.9 | 301 | 2KJ3513 - ■ JQ23 - ■ ■ V1 | |
| | 24 | 3 720 | 62.28 | 57 000 | 2.1 | 301 | 2KJ3513 - ■ JQ23 - ■ ■ U1 | |
| | 27 | 3 270 | 54.76 | 55 700 | 2.4 | 301 | 2KJ3513 - ■ JQ23 - ■ ■ T1 | |
| | K.129-LE160MPA4P | | | | | | | |
| | 17 | 5 320 | 89.09 | 36 700 | 0.83 | 218 | 2KJ3512 - ■ JQ23 - ■ ■ X1 | |
| | 18 | 4 780 | 80.12 | 37 200 | 0.92 | 218 | 2KJ3512 - ■ JQ23 - ■ ■ W1 | |
| | 21 | 4 180 | 70.03 | 37 800 | 1.1 | 218 | 2KJ3512 - ■ JQ23 - ■ ■ V1 | |
| | 24 | 3 730 | 62.49 | 38 200 | 1.2 | 218 | 2KJ3512 - ■ JQ23 - ■ ■ U1 | |
| | 27 | 3 290 | 55.05 | 37 900 | 1.3 | 218 | 2KJ3512 - ■ JQ23 - ■ ■ T1 | |
| 30 | 2 880 | 48.24 | 37 400 | 1.5 | 218 | 2KJ3512 - ■ JQ23 - ■ ■ S1 | | |
| 35 | 2 510 | 42.04 | 36 700 | 1.8 | 218 | 2KJ3512 - ■ JQ23 - ■ ■ R1 | | |
| 38 | 2 290 | 38.37 | 36 300 | 1.9 | 218 | 2KJ3512 - ■ JQ23 - ■ ■ Q1 | | |
| 45 | 1 970 | 33.03 | 35 400 | 2.2 | 218 | 2KJ3512 - ■ JQ23 - ■ ■ P1 | | |
| 47 | 1 880 | 31.55 | 35 200 | 2.3 | 218 | 2KJ3512 - ■ JQ23 - ■ ■ N1 | | |
| 53 | 1 640 | 27.58 | 34 300 | 2.7 | 218 | 2KJ3512 - ■ JQ23 - ■ ■ M1 | | |
| 60 | 1 470 | 24.61 | 33 600 | 3.0 | 218 | 2KJ3512 - ■ JQ23 - ■ ■ L1 | | |

Article No. supplement

Shaft design

1, 5, 6, 7 or 9

Frequency and voltage

2 or 9

Gearbox mounting type

A, D, F or H

→ page 10/44

→ page 11/2

→ page 10/37

SIMOGEAR geared motors

Bevel geared motors

Geared motors up to 55 kW

Selection and ordering data (continued)

| P_{rated} kW | n_2 rpm | T_2 Nm | i - | F_{R2} N | f_B - | m kg | Article No. (Article No. supplement → below) | Order code No. of poles | |
|--------------------------|-------------------------|-------------------------|----------|---------------|------------|---------------------------|---|----------------------------|--|
| 9.2 | K.109-LE160MPA4P | | | | | | | | |
| | 25 | 3 530 | 59.17 | 24 500 | 0.82 | 170 | 2KJ3511 - ■ JQ23 - ■ ■ T1 | | |
| | 28 | 3 120 | 52.29 | 24 500 | 0.93 | 170 | 2KJ3511 - ■ JQ23 - ■ ■ S1 | | |
| | 32 | 2 740 | 45.89 | 24 500 | 1.1 | 170 | 2KJ3511 - ■ JQ23 - ■ ■ R1 | | |
| | 37 | 2 380 | 39.95 | 24 500 | 1.2 | 170 | 2KJ3511 - ■ JQ23 - ■ ■ Q1 | | |
| | 43 | 2 040 | 34.15 | 24 500 | 1.3 | 170 | 2KJ3511 - ■ JQ23 - ■ ■ P1 | | |
| | 50 | 1 740 | 29.23 | 24 500 | 1.5 | 170 | 2KJ3511 - ■ JQ23 - ■ ■ N1 | | |
| | 59 | 1 490 | 24.98 | 24 200 | 1.6 | 170 | 2KJ3511 - ■ JQ23 - ■ ■ M1 | | |
| | 66 | 1 330 | 22.31 | 23 900 | 1.8 | 170 | 2KJ3511 - ■ JQ23 - ■ ■ L1 | | |
| | 75 | 1 170 | 19.71 | 23 400 | 2.0 | 170 | 2KJ3511 - ■ JQ23 - ■ ■ K1 | | |
| | 85 | 1 030 | 17.30 | 22 900 | 2.3 | 170 | 2KJ3511 - ■ JQ23 - ■ ■ J1 | | |
| | 98 | 900 | 15.06 | 22 300 | 2.6 | 170 | 2KJ3511 - ■ JQ23 - ■ ■ H1 | | |
| | 114 | 765 | 12.87 | 21 600 | 2.9 | 170 | 2KJ3511 - ■ JQ23 - ■ ■ G1 | | |
| | 133 | 655 | 11.02 | 20 900 | 3.2 | 170 | 2KJ3511 - ■ JQ23 - ■ ■ F1 | | |
| | 141 | 625 | 10.45 | 20 300 | 2.0 | 170 | 2KJ3511 - ■ JQ23 - ■ ■ E1 | | |
| | 160 | 545 | 9.17 | 19 800 | 2.3 | 170 | 2KJ3511 - ■ JQ23 - ■ ■ D1 | | |
| | 184 | 475 | 7.99 | 19 200 | 2.7 | 170 | 2KJ3511 - ■ JQ23 - ■ ■ C1 | | |
| | 215 | 405 | 6.83 | 18 500 | 3.2 | 170 | 2KJ3511 - ■ JQ23 - ■ ■ B1 | | |
| | 252 | 345 | 5.84 | 17 800 | 3.7 | 170 | 2KJ3511 - ■ JQ23 - ■ ■ A1 | | |
| | | K.89-LE160MPA4P | | | | | | | |
| | | 45 | 1 970 | 32.96 | 18 100 | 0.81 | 133 | 2KJ3510 - ■ JQ23 - ■ ■ Q1 | |
| | | 47 | 1 850 | 31.03 | 18 100 | 0.86 | 133 | 2KJ3510 - ■ JQ23 - ■ ■ P1 | |
| 52 | | 1 700 | 28.46 | 18 100 | 0.94 | 133 | 2KJ3510 - ■ JQ23 - ■ ■ N1 | | |
| 59 | | 1 480 | 24.86 | 18 100 | 1.1 | 133 | 2KJ3510 - ■ JQ23 - ■ ■ M1 | | |
| 66 | | 1 330 | 22.26 | 18 100 | 1.2 | 133 | 2KJ3510 - ■ JQ23 - ■ ■ L1 | | |
| 76 | | 1 160 | 19.46 | 18 100 | 1.3 | 133 | 2KJ3510 - ■ JQ23 - ■ ■ K1 | | |
| 88 | | 995 | 16.71 | 18 100 | 1.5 | 133 | 2KJ3510 - ■ JQ23 - ■ ■ J1 | | |
| 100 | | 880 | 14.77 | 18 100 | 1.6 | 133 | 2KJ3510 - ■ JQ23 - ■ ■ H1 | | |
| 117 | | 750 | 12.56 | 18 100 | 1.8 | 133 | 2KJ3510 - ■ JQ23 - ■ ■ G1 | | |
| 137 | | 640 | 10.76 | 18 000 | 1.9 | 133 | 2KJ3510 - ■ JQ23 - ■ ■ F1 | | |
| 140 | | 625 | 10.51 | 17 200 | 1.3 | 133 | 2KJ3510 - ■ JQ23 - ■ ■ E1 | | |
| 163 | | 535 | 9.02 | 16 800 | 1.5 | 133 | 2KJ3510 - ■ JQ23 - ■ ■ D1 | | |
| 184 | | 475 | 7.97 | 16 400 | 1.6 | 133 | 2KJ3510 - ■ JQ23 - ■ ■ C1 | | |
| 217 | | 405 | 6.78 | 15 900 | 1.8 | 133 | 2KJ3510 - ■ JQ23 - ■ ■ B1 | | |
| 253 | | 345 | 5.81 | 15 400 | 1.9 | 133 | 2KJ3510 - ■ JQ23 - ■ ■ A1 | | |
| 11 | | K.189-LE160MPB4P | | | | | | | |
| | | 7.4 | 14 200 | 199.51 | 104 000 | 1.3 | 692 | 2KJ3515 - ■ JR23 - ■ ■ W1 | |
| | 8.3 | 12 700 | 178.49 | 104 000 | 1.5 | 692 | 2KJ3515 - ■ JR23 - ■ ■ V1 | | |
| | 9.2 | 11 400 | 160.98 | 104 000 | 1.7 | 692 | 2KJ3515 - ■ JR23 - ■ ■ U1 | | |
| | 10 | 10 100 | 142.28 | 104 000 | 1.9 | 692 | 2KJ3515 - ■ JR23 - ■ ■ T1 | | |
| | 11 | 9 260 | 130.05 | 104 000 | 2.1 | 692 | 2KJ3515 - ■ JR23 - ■ ■ S1 | | |
| | K.169-LE160MPB4P | | | | | | | | |
| | 6.6 | 15 900 | 223.30 | 70 000 | 0.82 | 461 | 2KJ3514 - ■ JR23 - ■ ■ F2 | | |
| | 7.1 | 14 800 | 208.35 | 70 000 | 0.88 | 461 | 2KJ3514 - ■ JR23 - ■ ■ E2 | | |
| | 8 | 13 100 | 185.23 | 70 000 | 0.99 | 461 | 2KJ3514 - ■ JR23 - ■ ■ D2 | | |
| | 8.9 | 11 800 | 166.31 | 70 000 | 1.1 | 461 | 2KJ3514 - ■ JR23 - ■ ■ C2 | | |
| 9.8 | 10 700 | 150.55 | 70 000 | 1.2 | 461 | 2KJ3514 - ■ JR23 - ■ ■ B2 | | | |
| 11 | 9 410 | 132.24 | 70 000 | 1.4 | 461 | 2KJ3514 - ■ JR23 - ■ ■ A2 | | | |

Article No. supplement

Shaft design

1, 5, 6, 7 or 9

Frequency and voltage

2 or 9

Gearbox mounting type

A, D, F or H

→ page 10/44

→ page 11/2

→ page 10/37

Selection and ordering data (continued)

| P_{rated} kW | n_2 rpm | T_2 Nm | i - | F_{R2} N | f_B - | m kg | Article No. (Article No. supplement → below) | Order code No. of poles |
|--------------------------|-------------------------|-------------|----------|---------------|------------|---------------------------|---|----------------------------|
| 11 | K.169-LE160MPB4P | | | | | | | |
| | 12 | 8 530 | 119.83 | 70 000 | 1.5 | 461 | 2KJ3514 - ■ JR23 - ■ ■ X1 | |
| | 14 | 7 600 | 106.72 | 70 000 | 1.7 | 461 | 2KJ3514 - ■ JR23 - ■ ■ W1 | |
| | 15 | 6 820 | 95.83 | 70 000 | 1.9 | 461 | 2KJ3514 - ■ JR23 - ■ ■ V1 | |
| | 17 | 6 090 | 85.51 | 70 000 | 2.1 | 461 | 2KJ3514 - ■ JR23 - ■ ■ U1 | |
| | K.149-LE160MPB4P | | | | | | | |
| | 10 | 10 000 | 140.93 | 58 100 | 0.80 | 293 | 2KJ3513 - ■ JR23 - ■ ■ D2 | |
| | 12 | 9 050 | 127.16 | 58 100 | 0.88 | 293 | 2KJ3513 - ■ JR23 - ■ ■ C2 | |
| | 13 | 8 020 | 112.68 | 58 000 | 1.0 | 293 | 2KJ3513 - ■ JR23 - ■ ■ B2 | |
| | 15 | 7 100 | 99.79 | 57 700 | 1.1 | 293 | 2KJ3513 - ■ JR23 - ■ ■ A2 | |
| | 17 | 6 320 | 88.81 | 57 200 | 1.3 | 293 | 2KJ3513 - ■ JR23 - ■ ■ X1 | |
| | 19 | 5 660 | 79.59 | 56 600 | 1.4 | 293 | 2KJ3513 - ■ JR23 - ■ ■ W1 | |
| | 21 | 5 020 | 70.56 | 55 900 | 1.6 | 293 | 2KJ3513 - ■ JR23 - ■ ■ V1 | |
| | 24 | 4 430 | 62.28 | 54 900 | 1.8 | 293 | 2KJ3513 - ■ JR23 - ■ ■ U1 | |
| | 27 | 3 900 | 54.76 | 53 900 | 2.1 | 293 | 2KJ3513 - ■ JR23 - ■ ■ T1 | |
| | 30 | 3 530 | 49.60 | 53 000 | 2.3 | 293 | 2KJ3513 - ■ JR23 - ■ ■ S1 | |
| 34 | 3 070 | 43.18 | 51 700 | 2.6 | 293 | 2KJ3513 - ■ JR23 - ■ ■ R1 | | |
| K.129-LE160MPB4P | | | | | | | | |
| 21 | 4 980 | 70.03 | 35 800 | 0.88 | 210 | 2KJ3512 - ■ JR23 - ■ ■ V1 | | |
| 24 | 4 450 | 62.49 | 35 800 | 0.99 | 210 | 2KJ3512 - ■ JR23 - ■ ■ U1 | | |
| 27 | 3 920 | 55.05 | 35 700 | 1.1 | 210 | 2KJ3512 - ■ JR23 - ■ ■ T1 | | |
| 31 | 3 430 | 48.24 | 35 500 | 1.3 | 210 | 2KJ3512 - ■ JR23 - ■ ■ S1 | | |
| 35 | 2 990 | 42.04 | 35 100 | 1.5 | 210 | 2KJ3512 - ■ JR23 - ■ ■ R1 | | |
| 38 | 2 730 | 38.37 | 34 700 | 1.6 | 210 | 2KJ3512 - ■ JR23 - ■ ■ Q1 | | |
| 45 | 2 350 | 33.03 | 34 100 | 1.9 | 210 | 2KJ3512 - ■ JR23 - ■ ■ P1 | | |
| 47 | 2 240 | 31.55 | 33 900 | 2.0 | 210 | 2KJ3512 - ■ JR23 - ■ ■ N1 | | |
| 53 | 1 960 | 27.58 | 33 200 | 2.2 | 210 | 2KJ3512 - ■ JR23 - ■ ■ M1 | | |
| 60 | 1 750 | 24.61 | 32 600 | 2.5 | 210 | 2KJ3512 - ■ JR23 - ■ ■ L1 | | |
| 68 | 1 540 | 21.68 | 31 800 | 2.8 | 210 | 2KJ3512 - ■ JR23 - ■ ■ K1 | | |
| 78 | 1 350 | 19.00 | 31 100 | 3.1 | 210 | 2KJ3512 - ■ JR23 - ■ ■ J1 | | |
| 89 | 1 170 | 16.56 | 30 200 | 3.4 | 210 | 2KJ3512 - ■ JR23 - ■ ■ H1 | | |
| 125 | 840 | 11.80 | 28 000 | 3.4 | 210 | 2KJ3512 - ■ JR23 - ■ ■ E1 | | |
| 143 | 735 | 10.34 | 27 200 | 3.9 | 210 | 2KJ3512 - ■ JR23 - ■ ■ D1 | | |
| K.109-LE160MPB4P | | | | | | | | |
| 32 | 3 260 | 45.89 | 23 500 | 0.89 | 162 | 2KJ3511 - ■ JR23 - ■ ■ R1 | | |
| 37 | 2 840 | 39.95 | 23 600 | 0.99 | 162 | 2KJ3511 - ■ JR23 - ■ ■ Q1 | | |
| 43 | 2 430 | 34.15 | 23 600 | 1.1 | 162 | 2KJ3511 - ■ JR23 - ■ ■ P1 | | |
| 50 | 2 080 | 29.23 | 23 400 | 1.3 | 162 | 2KJ3511 - ■ JR23 - ■ ■ N1 | | |
| 59 | 1 770 | 24.98 | 23 200 | 1.3 | 162 | 2KJ3511 - ■ JR23 - ■ ■ M1 | | |
| 66 | 1 580 | 22.31 | 22 900 | 1.5 | 162 | 2KJ3511 - ■ JR23 - ■ ■ L1 | | |
| 75 | 1 400 | 19.71 | 22 500 | 1.7 | 162 | 2KJ3511 - ■ JR23 - ■ ■ K1 | | |
| 85 | 1 230 | 17.30 | 22 100 | 1.9 | 162 | 2KJ3511 - ■ JR23 - ■ ■ J1 | | |
| 98 | 1 070 | 15.06 | 21 600 | 2.2 | 162 | 2KJ3511 - ■ JR23 - ■ ■ H1 | | |
| 115 | 915 | 12.87 | 21 000 | 2.4 | 162 | 2KJ3511 - ■ JR23 - ■ ■ G1 | | |
| 134 | 785 | 11.02 | 20 400 | 2.7 | 162 | 2KJ3511 - ■ JR23 - ■ ■ F1 | | |
| 141 | 740 | 10.45 | 19 800 | 1.7 | 162 | 2KJ3511 - ■ JR23 - ■ ■ E1 | | |
| 161 | 650 | 9.17 | 19 300 | 1.9 | 162 | 2KJ3511 - ■ JR23 - ■ ■ D1 | | |
| 185 | 565 | 7.99 | 18 800 | 2.2 | 162 | 2KJ3511 - ■ JR23 - ■ ■ C1 | | |

Article No. supplement

| | |
|-----------------------|-----------------|
| Shaft design | 1, 5, 6, 7 or 9 |
| Frequency and voltage | 2 or 9 |
| Gearbox mounting type | A, D, F or H |

→ page 10/44

→ page 11/2

→ page 10/37

SIMOGEAR geared motors

Bevel geared motors

Geared motors up to 55 kW

Selection and ordering data (continued)

| P_{rated} kW | n_2 rpm | T_2 Nm | i - | F_{R2} N | f_B - | m kg | Article No. (Article No. supplement → below) | Order code No. of poles |
|--------------------------|-------------------------|-------------|----------|---------------|------------|---------------------------|---|----------------------------|
| 11 | K.109-LE160MPB4P | | | | | | | |
| | 216 | 485 | 6.83 | 18 100 | 2.7 | 162 | 2KJ3511 - ■ JR23 - ■ ■ B1 | |
| | 253 | 415 | 5.84 | 17 500 | 3.1 | 162 | 2KJ3511 - ■ JR23 - ■ ■ A1 | |
| | K.89-LE160MPB4P | | | | | | | |
| | 59 | 1 770 | 24.86 | 18 100 | 0.9 | 125 | 2KJ3510 - ■ JR23 - ■ ■ M1 | |
| | 66 | 1 580 | 22.26 | 18 100 | 1.0 | 125 | 2KJ3510 - ■ JR23 - ■ ■ L1 | |
| | 76 | 1 380 | 19.46 | 18 100 | 1.1 | 125 | 2KJ3510 - ■ JR23 - ■ ■ K1 | |
| | 88 | 1 190 | 16.71 | 18 100 | 1.2 | 125 | 2KJ3510 - ■ JR23 - ■ ■ J1 | |
| | 100 | 1 050 | 14.77 | 18 100 | 1.3 | 125 | 2KJ3510 - ■ JR23 - ■ ■ H1 | |
| | 117 | 895 | 12.56 | 17 800 | 1.5 | 125 | 2KJ3510 - ■ JR23 - ■ ■ G1 | |
| | 137 | 765 | 10.76 | 17 400 | 1.6 | 125 | 2KJ3510 - ■ JR23 - ■ ■ F1 | |
| | 140 | 745 | 10.51 | 16 500 | 1.1 | 125 | 2KJ3510 - ■ JR23 - ■ ■ E1 | |
| | 164 | 640 | 9.02 | 16 200 | 1.2 | 125 | 2KJ3510 - ■ JR23 - ■ ■ D1 | |
| | 185 | 565 | 7.97 | 15 900 | 1.4 | 125 | 2KJ3510 - ■ JR23 - ■ ■ C1 | |
| 218 | 480 | 6.78 | 15 500 | 1.5 | 125 | 2KJ3510 - ■ JR23 - ■ ■ B1 | | |
| 254 | 410 | 5.81 | 15 100 | 1.6 | 125 | 2KJ3510 - ■ JR23 - ■ ■ A1 | | |
| 15 | K.189-LE160ZLL4P | | | | | | | |
| | 7.4 | 19 300 | 199.51 | 104 000 | 0.99 | 717 | 2KJ3515 - ■ JU23 - ■ ■ W1 | |
| | 8.3 | 17 300 | 178.49 | 104 000 | 1.1 | 717 | 2KJ3515 - ■ JU23 - ■ ■ V1 | |
| | 9.2 | 15 600 | 160.98 | 104 000 | 1.2 | 717 | 2KJ3515 - ■ JU23 - ■ ■ U1 | |
| | 10 | 13 800 | 142.28 | 104 000 | 1.4 | 717 | 2KJ3515 - ■ JU23 - ■ ■ T1 | |
| | 11 | 12 600 | 130.05 | 104 000 | 1.5 | 717 | 2KJ3515 - ■ JU23 - ■ ■ S1 | |
| | 13 | 11 300 | 117.00 | 104 000 | 1.7 | 717 | 2KJ3515 - ■ JU23 - ■ ■ R1 | |
| | 14 | 10 100 | 104.56 | 104 000 | 1.9 | 717 | 2KJ3515 - ■ JU23 - ■ ■ Q1 | |
| | 16 | 9 180 | 94.55 | 104 000 | 2.1 | 717 | 2KJ3515 - ■ JU23 - ■ ■ P1 | |
| | K.169-LE160ZLL4P | | | | | | | |
| | 8.9 | 16 100 | 166.31 | 70 000 | 0.80 | 486 | 2KJ3514 - ■ JU23 - ■ ■ C2 | |
| | 9.8 | 14 600 | 150.55 | 70 000 | 0.89 | 486 | 2KJ3514 - ■ JU23 - ■ ■ B2 | |
| | 11 | 12 800 | 132.24 | 70 000 | 1.0 | 486 | 2KJ3514 - ■ JU23 - ■ ■ A2 | |
| | 12 | 11 600 | 119.83 | 70 000 | 1.1 | 486 | 2KJ3514 - ■ JU23 - ■ ■ X1 | |
| | 14 | 10 300 | 106.72 | 70 000 | 1.3 | 486 | 2KJ3514 - ■ JU23 - ■ ■ W1 | |
| | 15 | 9 300 | 95.83 | 70 000 | 1.4 | 486 | 2KJ3514 - ■ JU23 - ■ ■ V1 | |
| | 17 | 8 300 | 85.51 | 70 000 | 1.6 | 486 | 2KJ3514 - ■ JU23 - ■ ■ U1 | |
| | 19 | 7 400 | 76.23 | 70 000 | 1.8 | 486 | 2KJ3514 - ■ JU23 - ■ ■ T1 | |
| | 22 | 6 560 | 67.61 | 70 000 | 2.0 | 486 | 2KJ3514 - ■ JU23 - ■ ■ S1 | |
| | 24 | 6 020 | 62.07 | 70 000 | 2.2 | 486 | 2KJ3514 - ■ JU23 - ■ ■ R1 | |
| | 27 | 5 310 | 54.68 | 70 000 | 2.4 | 486 | 2KJ3514 - ■ JU23 - ■ ■ Q1 | |
| | K.149-LE160ZLL4P | | | | | | | |
| 15 | 9 690 | 99.79 | 50 500 | 0.83 | 318 | 2KJ3513 - ■ JU23 - ■ ■ A2 | | |
| 17 | 8 620 | 88.81 | 50 800 | 0.93 | 318 | 2KJ3513 - ■ JU23 - ■ ■ X1 | | |
| 19 | 7 730 | 79.59 | 50 800 | 1.0 | 318 | 2KJ3513 - ■ JU23 - ■ ■ W1 | | |
| 21 | 6 850 | 70.56 | 50 700 | 1.2 | 318 | 2KJ3513 - ■ JU23 - ■ ■ V1 | | |
| 24 | 6 040 | 62.28 | 50 400 | 1.3 | 318 | 2KJ3513 - ■ JU23 - ■ ■ U1 | | |
| 27 | 5 310 | 54.76 | 49 900 | 1.5 | 318 | 2KJ3513 - ■ JU23 - ■ ■ T1 | | |
| 30 | 4 810 | 49.60 | 49 400 | 1.7 | 318 | 2KJ3513 - ■ JU23 - ■ ■ S1 | | |
| 34 | 4 190 | 43.18 | 48 600 | 1.9 | 318 | 2KJ3513 - ■ JU23 - ■ ■ R1 | | |
| 42 | 3 430 | 35.40 | 47 200 | 2.3 | 318 | 2KJ3513 - ■ JU23 - ■ ■ Q1 | | |
| 46 | 3 140 | 32.33 | 46 500 | 2.5 | 318 | 2KJ3513 - ■ JU23 - ■ ■ P1 | | |

Article No. supplement

Shaft design

1, 5, 6, 7 or 9

Frequency and voltage

2 or 9

Gearbox mounting type

A, D, F or H

→ page 10/44

→ page 11/2

→ page 10/37

Selection and ordering data (continued)

| P_{rated} kW | n_2 rpm | T_2 Nm | i - | F_{R2} N | f_B - | m kg | Article No. (Article No. supplement → below) | Order code No. of poles |
|--------------------------|-------------------------|-------------|----------|---------------|------------|---------------------------|---|----------------------------|
| 15 | K.149-LE160ZLL4P | | | | | | | |
| | 51 | 2 780 | 28.66 | 45 500 | 2.7 | 318 | 2KJ3513 - ■ JU23 - ■ ■ N1 | |
| | 58 | 2 450 | 25.30 | 44 500 | 3.0 | 318 | 2KJ3513 - ■ JU23 - ■ ■ M1 | |
| | 104 | 1 370 | 14.15 | 39 100 | 3.0 | 318 | 2KJ3513 - ■ JU23 - ■ ■ G1 | |
| | 119 | 1 200 | 12.44 | 38 000 | 3.3 | 318 | 2KJ3513 - ■ JU23 - ■ ■ F1 | |
| | 131 | 1 090 | 11.26 | 37 100 | 3.6 | 318 | 2KJ3513 - ■ JU23 - ■ ■ E1 | |
| | 150 | 950 | 9.81 | 35 800 | 4.0 | 318 | 2KJ3513 - ■ JU23 - ■ ■ D1 | |
| | K.129-LE160ZLL4P | | | | | | | |
| | 27 | 5 340 | 55.05 | 30 800 | 0.82 | 235 | 2KJ3512 - ■ JU23 - ■ ■ T1 | |
| | 31 | 4 680 | 48.24 | 31 200 | 0.94 | 235 | 2KJ3512 - ■ JU23 - ■ ■ S1 | |
| | 35 | 4 080 | 42.04 | 31 300 | 1.1 | 235 | 2KJ3512 - ■ JU23 - ■ ■ R1 | |
| | 38 | 3 720 | 38.37 | 31 300 | 1.2 | 235 | 2KJ3512 - ■ JU23 - ■ ■ Q1 | |
| | 45 | 3 200 | 33.03 | 31 200 | 1.4 | 235 | 2KJ3512 - ■ JU23 - ■ ■ P1 | |
| | 47 | 3 060 | 31.55 | 31 100 | 1.4 | 235 | 2KJ3512 - ■ JU23 - ■ ■ N1 | |
| | 53 | 2 670 | 27.58 | 30 800 | 1.6 | 235 | 2KJ3512 - ■ JU23 - ■ ■ M1 | |
| 60 | 2 390 | 24.61 | 30 400 | 1.8 | 235 | 2KJ3512 - ■ JU23 - ■ ■ L1 | | |
| 68 | 2 100 | 21.68 | 29 900 | 2.0 | 235 | 2KJ3512 - ■ JU23 - ■ ■ K1 | | |
| 78 | 1 840 | 19.00 | 29 400 | 2.2 | 235 | 2KJ3512 - ■ JU23 - ■ ■ J1 | | |
| 89 | 1 600 | 16.56 | 28 800 | 2.5 | 235 | 2KJ3512 - ■ JU23 - ■ ■ H1 | | |
| 98 | 1 460 | 15.11 | 28 300 | 2.7 | 235 | 2KJ3512 - ■ JU23 - ■ ■ G1 | | |
| 113 | 1 260 | 13.01 | 27 500 | 3.0 | 235 | 2KJ3512 - ■ JU23 - ■ ■ F1 | | |
| 125 | 1 140 | 11.80 | 27 000 | 2.5 | 235 | 2KJ3512 - ■ JU23 - ■ ■ E1 | | |
| 143 | 1 000 | 10.34 | 26 300 | 2.8 | 235 | 2KJ3512 - ■ JU23 - ■ ■ D1 | | |
| 164 | 875 | 9.01 | 25 500 | 3.2 | 235 | 2KJ3512 - ■ JU23 - ■ ■ C1 | | |
| 179 | 795 | 8.22 | 25 000 | 3.4 | 235 | 2KJ3512 - ■ JU23 - ■ ■ B1 | | |
| 208 | 685 | 7.08 | 24 200 | 3.7 | 235 | 2KJ3512 - ■ JU23 - ■ ■ A1 | | |
| K.109-LE160ZLL4P | | | | | | | | |
| 43 | 3 310 | 34.15 | 20 300 | 0.82 | 187 | 2KJ3511 - ■ JU23 - ■ ■ P1 | | |
| 50 | 2 830 | 29.23 | 20 600 | 0.92 | 187 | 2KJ3511 - ■ JU23 - ■ ■ N1 | | |
| 59 | 2 420 | 24.98 | 20 700 | 0.98 | 187 | 2KJ3511 - ■ JU23 - ■ ■ M1 | | |
| 66 | 2 160 | 22.31 | 20 700 | 1.1 | 187 | 2KJ3511 - ■ JU23 - ■ ■ L1 | | |
| 75 | 1 910 | 19.71 | 20 600 | 1.2 | 187 | 2KJ3511 - ■ JU23 - ■ ■ K1 | | |
| 85 | 1 680 | 17.30 | 20 400 | 1.4 | 187 | 2KJ3511 - ■ JU23 - ■ ■ J1 | | |
| 98 | 1 460 | 15.06 | 20 100 | 1.6 | 187 | 2KJ3511 - ■ JU23 - ■ ■ H1 | | |
| 115 | 1 250 | 12.87 | 19 700 | 1.8 | 187 | 2KJ3511 - ■ JU23 - ■ ■ G1 | | |
| 134 | 1 070 | 11.02 | 19 300 | 2.0 | 187 | 2KJ3511 - ■ JU23 - ■ ■ F1 | | |
| 141 | 1 010 | 10.45 | 18 600 | 1.2 | 187 | 2KJ3511 - ■ JU23 - ■ ■ E1 | | |
| 161 | 890 | 9.17 | 18 300 | 1.4 | 187 | 2KJ3511 - ■ JU23 - ■ ■ D1 | | |
| 185 | 775 | 7.99 | 17 800 | 1.6 | 187 | 2KJ3511 - ■ JU23 - ■ ■ C1 | | |
| 216 | 660 | 6.83 | 17 400 | 2.0 | 187 | 2KJ3511 - ■ JU23 - ■ ■ B1 | | |
| 253 | 565 | 5.84 | 16 900 | 2.3 | 187 | 2KJ3511 - ■ JU23 - ■ ■ A1 | | |
| K.89-LE160ZLL4P | | | | | | | | |
| 76 | 1 890 | 19.46 | 16 300 | 0.83 | 150 | 2KJ3510 - ■ JU23 - ■ ■ K1 | | |
| 88 | 1 620 | 16.71 | 16 400 | 0.91 | 150 | 2KJ3510 - ■ JU23 - ■ ■ J1 | | |
| 100 | 1 430 | 14.77 | 16 400 | 0.99 | 150 | 2KJ3510 - ■ JU23 - ■ ■ H1 | | |
| 117 | 1 220 | 12.56 | 16 300 | 1.1 | 150 | 2KJ3510 - ■ JU23 - ■ ■ G1 | | |
| 137 | 1 040 | 10.76 | 16 100 | 1.2 | 150 | 2KJ3510 - ■ JU23 - ■ ■ F1 | | |
| 140 | 1 020 | 10.51 | 15 000 | 0.83 | 150 | 2KJ3510 - ■ JU23 - ■ ■ E1 | | |

Article No. supplement

Shaft design

1, 5, 6, 7 or 9

Frequency and voltage

2 or 9

Gearbox mounting type

A, D, F or H

→ page 10/44

→ page 11/2

→ page 10/37

SIMOGEAR geared motors

Bevel geared motors

Geared motors up to 55 kW

Selection and ordering data (continued)

| P_{rated} kW | n_2 rpm | T_2 Nm | i - | F_{R2} N | f_B - | m kg | Article No. (Article No. supplement → below) | Order code No. of poles |
|--------------------------|-------------------------|-------------|----------|---------------|------------|---------------------------|---|----------------------------|
| 15 | K.89-LE160ZLL4P | | | | | | | |
| | 164 | 875 | 9.02 | 14 900 | 0.91 | 150 | 2KJ3510 - ■ JU23 - ■ ■ D1 | |
| | 185 | 770 | 7.97 | 14 700 | 0.99 | 150 | 2KJ3510 - ■ JU23 - ■ ■ C1 | |
| | 218 | 655 | 6.78 | 14 500 | 1.1 | 150 | 2KJ3510 - ■ JU23 - ■ ■ B1 | |
| | 254 | 560 | 5.81 | 14 200 | 1.2 | 150 | 2KJ3510 - ■ JU23 - ■ ■ A1 | |
| 18.5 | K.189-LES180MQ4P | | | | | | | |
| | 11 | 15 600 | 130.05 | 104 000 | 1.2 | 794 | 2KJ3515 - ■ KL33 - ■ ■ S1 | |
| | 13 | 14 000 | 117.00 | 104 000 | 1.4 | 794 | 2KJ3515 - ■ KL33 - ■ ■ R1 | |
| | 14 | 12 500 | 104.56 | 104 000 | 1.6 | 794 | 2KJ3515 - ■ KL33 - ■ ■ Q1 | |
| | 16 | 11 300 | 94.55 | 104 000 | 1.7 | 794 | 2KJ3515 - ■ KL33 - ■ ■ P1 | |
| | 18 | 10 000 | 83.44 | 104 000 | 1.9 | 794 | 2KJ3515 - ■ KL33 - ■ ■ N1 | |
| | 20 | 8 930 | 74.35 | 104 000 | 2.2 | 794 | 2KJ3515 - ■ KL33 - ■ ■ M1 | |
| | 22 | 8 090 | 67.36 | 104 000 | 2.4 | 794 | 2KJ3515 - ■ KL33 - ■ ■ L1 | |
| | K.169-LES180MQ4P | | | | | | | |
| | 12 | 14 400 | 119.83 | 70 000 | 0.9 | 565 | 2KJ3514 - ■ KL33 - ■ ■ X1 | |
| | 14 | 12 800 | 106.72 | 70 000 | 1.0 | 565 | 2KJ3514 - ■ KL33 - ■ ■ W1 | |
| | 15 | 11 500 | 95.83 | 70 000 | 1.1 | 565 | 2KJ3514 - ■ KL33 - ■ ■ V1 | |
| | 17 | 10 200 | 85.51 | 70 000 | 1.3 | 565 | 2KJ3514 - ■ KL33 - ■ ■ U1 | |
| | 19 | 9 160 | 76.23 | 70 000 | 1.4 | 565 | 2KJ3514 - ■ KL33 - ■ ■ T1 | |
| | 22 | 8 120 | 67.61 | 70 000 | 1.6 | 565 | 2KJ3514 - ■ KL33 - ■ ■ S1 | |
| | 24 | 7 460 | 62.07 | 70 000 | 1.7 | 565 | 2KJ3514 - ■ KL33 - ■ ■ R1 | |
| | 27 | 6 570 | 54.68 | 70 000 | 2.0 | 565 | 2KJ3514 - ■ KL33 - ■ ■ Q1 | |
| | 33 | 5 390 | 44.86 | 70 000 | 2.4 | 565 | 2KJ3514 - ■ KL33 - ■ ■ P1 | |
| | K.149-LES180MQ4P | | | | | | | |
| | 18 | 9 560 | 79.59 | 45 800 | 0.84 | 394 | 2KJ3513 - ■ KL33 - ■ ■ W1 | |
| | 21 | 8 480 | 70.56 | 46 300 | 0.94 | 394 | 2KJ3513 - ■ KL33 - ■ ■ V1 | |
| | 24 | 7 480 | 62.28 | 46 500 | 1.1 | 394 | 2KJ3513 - ■ KL33 - ■ ■ U1 | |
| 27 | 6 580 | 54.76 | 46 400 | 1.2 | 394 | 2KJ3513 - ■ KL33 - ■ ■ T1 | | |
| 30 | 5 960 | 49.60 | 46 300 | 1.3 | 394 | 2KJ3513 - ■ KL33 - ■ ■ S1 | | |
| 34 | 5 190 | 43.18 | 45 900 | 1.5 | 394 | 2KJ3513 - ■ KL33 - ■ ■ R1 | | |
| 42 | 4 250 | 35.40 | 45 000 | 1.8 | 394 | 2KJ3513 - ■ KL33 - ■ ■ Q1 | | |
| 45 | 3 880 | 32.33 | 44 500 | 2 | 394 | 2KJ3513 - ■ KL33 - ■ ■ P1 | | |
| 51 | 3 440 | 28.66 | 43 800 | 2.2 | 394 | 2KJ3513 - ■ KL33 - ■ ■ N1 | | |
| 58 | 3 040 | 25.30 | 42 900 | 2.4 | 394 | 2KJ3513 - ■ KL33 - ■ ■ M1 | | |
| 66 | 2 670 | 22.25 | 42 000 | 2.7 | 394 | 2KJ3513 - ■ KL33 - ■ ■ L1 | | |
| 73 | 2 420 | 20.15 | 41 200 | 2.9 | 394 | 2KJ3513 - ■ KL33 - ■ ■ K1 | | |
| 84 | 2 100 | 17.54 | 40 200 | 3.3 | 394 | 2KJ3513 - ■ KL33 - ■ ■ J1 | | |
| 104 | 1 700 | 14.15 | 38 200 | 2.4 | 394 | 2KJ3513 - ■ KL33 - ■ ■ G1 | | |
| 118 | 1 490 | 12.44 | 37 200 | 2.7 | 394 | 2KJ3513 - ■ KL33 - ■ ■ F1 | | |
| 131 | 1 350 | 11.26 | 36 300 | 2.9 | 394 | 2KJ3513 - ■ KL33 - ■ ■ E1 | | |
| 150 | 1 170 | 9.81 | 35 200 | 3.3 | 394 | 2KJ3513 - ■ KL33 - ■ ■ D1 | | |
| 183 | 965 | 8.04 | 33 600 | 3.8 | 394 | 2KJ3513 - ■ KL33 - ■ ■ C1 | | |
| 216 | 820 | 6.82 | 32 300 | 4.4 | 394 | 2KJ3513 - ■ KL33 - ■ ■ B1 | | |
| K.129-LES180MQ4P | | | | | | | | |
| 35 | 5 050 | 42.04 | 28 100 | 0.87 | 312 | 2KJ3512 - ■ KL33 - ■ ■ R1 | | |
| 38 | 4 610 | 38.37 | 28 300 | 0.95 | 312 | 2KJ3512 - ■ KL33 - ■ ■ Q1 | | |
| 45 | 3 970 | 33.03 | 28 600 | 1.1 | 312 | 2KJ3512 - ■ KL33 - ■ ■ P1 | | |
| 47 | 3 790 | 31.55 | 28 600 | 1.2 | 312 | 2KJ3512 - ■ KL33 - ■ ■ N1 | | |

Article No. supplement

Shaft design

1, 5, 6, 7 or 9

Frequency and voltage

2 or 9

Gearbox mounting type

A, D, F or H

→ page 10/44

→ page 11/2

→ page 10/37

Selection and ordering data (continued)

| P_{rated} kW | n_2 rpm | T_2 Nm | i - | F_{R2} N | f_B - | m kg | Article No. (Article No. supplement → below) | Order code No. of poles |
|--------------------------|--------------------------|-------------|----------|---------------|------------|---------------------------|---|----------------------------|
| 18.5 | K.129-LES180MQ4P | | | | | | | |
| | 53 | 3 310 | 27.58 | 28 600 | 1.3 | 312 | 2KJ3512 - ■ KL33 - ■ ■ M1 | |
| | 60 | 2 950 | 24.61 | 28 500 | 1.5 | 312 | 2KJ3512 - ■ KL33 - ■ ■ L1 | |
| | 68 | 2 600 | 21.68 | 28 300 | 1.6 | 312 | 2KJ3512 - ■ KL33 - ■ ■ K1 | |
| | 77 | 2 280 | 19.00 | 27 900 | 1.8 | 312 | 2KJ3512 - ■ KL33 - ■ ■ J1 | |
| | 89 | 1 990 | 16.56 | 27 500 | 2.0 | 312 | 2KJ3512 - ■ KL33 - ■ ■ H1 | |
| | 97 | 1 810 | 15.11 | 27 100 | 2.2 | 312 | 2KJ3512 - ■ KL33 - ■ ■ G1 | |
| | 113 | 1 560 | 13.01 | 26 500 | 2.4 | 312 | 2KJ3512 - ■ KL33 - ■ ■ F1 | |
| | 125 | 1 410 | 11.80 | 26 100 | 2.0 | 312 | 2KJ3512 - ■ KL33 - ■ ■ E1 | |
| | 142 | 1 240 | 10.34 | 25 500 | 2.3 | 312 | 2KJ3512 - ■ KL33 - ■ ■ D1 | |
| | 163 | 1 080 | 9.01 | 24 800 | 2.5 | 312 | 2KJ3512 - ■ KL33 - ■ ■ C1 | |
| | 179 | 985 | 8.22 | 24 400 | 2.7 | 312 | 2KJ3512 - ■ KL33 - ■ ■ B1 | |
| | 208 | 850 | 7.08 | 23 600 | 3.0 | 312 | 2KJ3512 - ■ KL33 - ■ ■ A1 | |
| | K.109-LES180MQ4P | | | | | | | |
| | 66 | 2 680 | 22.31 | 18 800 | 0.89 | 263 | 2KJ3511 - ■ KL33 - ■ ■ L1 | |
| | 75 | 2 360 | 19.71 | 18 900 | 1.0 | 263 | 2KJ3511 - ■ KL33 - ■ ■ K1 | |
| | 85 | 2 070 | 17.30 | 18 900 | 1.2 | 263 | 2KJ3511 - ■ KL33 - ■ ■ J1 | |
| | 98 | 1 810 | 15.06 | 18 800 | 1.3 | 263 | 2KJ3511 - ■ KL33 - ■ ■ H1 | |
| | 114 | 1 540 | 12.87 | 18 700 | 1.4 | 263 | 2KJ3511 - ■ KL33 - ■ ■ G1 | |
| | 133 | 1 320 | 11.02 | 18 400 | 1.6 | 263 | 2KJ3511 - ■ KL33 - ■ ■ F1 | |
| 141 | 1 250 | 10.45 | 17 600 | 1.0 | 263 | 2KJ3511 - ■ KL33 - ■ ■ E1 | | |
| 160 | 1 100 | 9.17 | 17 400 | 1.2 | 263 | 2KJ3511 - ■ KL33 - ■ ■ D1 | | |
| 184 | 960 | 7.99 | 17 100 | 1.3 | 263 | 2KJ3511 - ■ KL33 - ■ ■ C1 | | |
| 215 | 820 | 6.83 | 16 700 | 1.6 | 263 | 2KJ3511 - ■ KL33 - ■ ■ B1 | | |
| 252 | 700 | 5.84 | 16 300 | 1.9 | 263 | 2KJ3511 - ■ KL33 - ■ ■ A1 | | |
| 22 | K.189-LES180ZLN4P | | | | | | | |
| | 11 | 18 500 | 130.05 | 104 000 | 1.0 | 799 | 2KJ3515 - ■ KN33 - ■ ■ S1 | |
| | 13 | 16 700 | 117.00 | 104 000 | 1.2 | 799 | 2KJ3515 - ■ KN33 - ■ ■ R1 | |
| | 14 | 14 900 | 104.56 | 104 000 | 1.3 | 799 | 2KJ3515 - ■ KN33 - ■ ■ Q1 | |
| | 16 | 13 500 | 94.55 | 104 000 | 1.4 | 799 | 2KJ3515 - ■ KN33 - ■ ■ P1 | |
| | 18 | 11 900 | 83.44 | 104 000 | 1.6 | 799 | 2KJ3515 - ■ KN33 - ■ ■ N1 | |
| | 20 | 10 600 | 74.35 | 104 000 | 1.8 | 799 | 2KJ3515 - ■ KN33 - ■ ■ M1 | |
| | 22 | 9 620 | 67.36 | 104 000 | 2.0 | 799 | 2KJ3515 - ■ KN33 - ■ ■ L1 | |
| | 24 | 8 650 | 60.58 | 104 000 | 2.3 | 799 | 2KJ3515 - ■ KN33 - ■ ■ K1 | |
| | K.169-LES180ZLN4P | | | | | | | |
| | 14 | 15 200 | 106.72 | 70 000 | 0.85 | 570 | 2KJ3514 - ■ KN33 - ■ ■ W1 | |
| | 15 | 13 600 | 95.83 | 70 000 | 0.95 | 570 | 2KJ3514 - ■ KN33 - ■ ■ V1 | |
| | 17 | 12 200 | 85.51 | 70 000 | 1.1 | 570 | 2KJ3514 - ■ KN33 - ■ ■ U1 | |
| | 19 | 10 800 | 76.23 | 70 000 | 1.2 | 570 | 2KJ3514 - ■ KN33 - ■ ■ T1 | |
| | 22 | 9 660 | 67.61 | 70 000 | 1.3 | 570 | 2KJ3514 - ■ KN33 - ■ ■ S1 | |
| | 24 | 8 870 | 62.07 | 70 000 | 1.5 | 570 | 2KJ3514 - ■ KN33 - ■ ■ R1 | |
| | 27 | 7 810 | 54.68 | 70 000 | 1.7 | 570 | 2KJ3514 - ■ KN33 - ■ ■ Q1 | |
| | 33 | 6 410 | 44.86 | 70 000 | 2.0 | 570 | 2KJ3514 - ■ KN33 - ■ ■ P1 | |
| | 37 | 5 620 | 39.33 | 69 200 | 2.3 | 570 | 2KJ3514 - ■ KN33 - ■ ■ N1 | |
| | K.149-LES180ZLN4P | | | | | | | |
| 24 | 8 900 | 62.28 | 42 500 | 0.90 | 399 | 2KJ3513 - ■ KN33 - ■ ■ U1 | | |
| 27 | 7 820 | 54.76 | 43 000 | 1.0 | 399 | 2KJ3513 - ■ KN33 - ■ ■ T1 | | |
| 30 | 7 080 | 49.60 | 43 100 | 1.1 | 399 | 2KJ3513 - ■ KN33 - ■ ■ S1 | | |
| 34 | 6 170 | 43.18 | 43 100 | 1.3 | 399 | 2KJ3513 - ■ KN33 - ■ ■ R1 | | |

Article No. supplement

Shaft design

1, 5, 6, 7 or 9

Frequency and voltage

2 or 9

Gearbox mounting type

A, D, F or H

→ page 10/44

→ page 11/2

→ page 10/37

SIMOGEAR geared motors

Bevel geared motors

Geared motors up to 55 kW

Selection and ordering data (continued)

| P_{rated} kW | n_2 rpm | T_2 Nm | i - | F_{R2} N | f_B - | m kg | Article No. (Article No. supplement → below) | Order code No. of poles | |
|--------------------------|--------------------------|--------------------------|----------|---------------|------------|-----------|---|----------------------------|--|
| 22 | K.149-LES180ZLN4P | | | | | | | | |
| | 42 | 5 060 | 35.40 | 42 700 | 1.6 | 399 | 2KJ3513 - ■ KN33 - ■ ■ Q1 | | |
| | 45 | 4 620 | 32.33 | 42 400 | 1.7 | 399 | 2KJ3513 - ■ KN33 - ■ ■ P1 | | |
| | 51 | 4 090 | 28.66 | 41 900 | 1.9 | 399 | 2KJ3513 - ■ KN33 - ■ ■ N1 | | |
| | 58 | 3 610 | 25.30 | 41 300 | 2.1 | 399 | 2KJ3513 - ■ KN33 - ■ ■ M1 | | |
| | 66 | 3 180 | 22.25 | 40 600 | 2.3 | 399 | 2KJ3513 - ■ KN33 - ■ ■ L1 | | |
| | 73 | 2 880 | 20.15 | 40 000 | 2.5 | 399 | 2KJ3513 - ■ KN33 - ■ ■ K1 | | |
| | 84 | 2 500 | 17.54 | 39 100 | 2.7 | 399 | 2KJ3513 - ■ KN33 - ■ ■ J1 | | |
| | 102 | 2 050 | 14.38 | 37 700 | 3.2 | 399 | 2KJ3513 - ■ KN33 - ■ ■ H1 | | |
| | 104 | 2 020 | 14.15 | 37 200 | 2.0 | 399 | 2KJ3513 - ■ KN33 - ■ ■ G1 | | |
| | 118 | 1 770 | 12.44 | 36 300 | 2.3 | 399 | 2KJ3513 - ■ KN33 - ■ ■ F1 | | |
| | 131 | 1 600 | 11.26 | 35 600 | 2.5 | 399 | 2KJ3513 - ■ KN33 - ■ ■ E1 | | |
| | 150 | 1 400 | 9.81 | 34 600 | 2.7 | 399 | 2KJ3513 - ■ KN33 - ■ ■ D1 | | |
| | 183 | 1 140 | 8.04 | 33 100 | 3.2 | 399 | 2KJ3513 - ■ KN33 - ■ ■ C1 | | |
| | 216 | 975 | 6.82 | 31 800 | 3.7 | 399 | 2KJ3513 - ■ KN33 - ■ ■ B1 | | |
| | 22 | K.129-LES180ZLN4P | | | | | | | |
| | | 38 | 5 480 | 38.37 | 25 400 | 0.80 | 317 | 2KJ3512 - ■ KN33 - ■ ■ Q1 | |
| | | 45 | 4 720 | 33.03 | 26 000 | 0.93 | 317 | 2KJ3512 - ■ KN33 - ■ ■ P1 | |
| | | 47 | 4 500 | 31.55 | 26 200 | 0.98 | 317 | 2KJ3512 - ■ KN33 - ■ ■ N1 | |
| | | 53 | 3 940 | 27.58 | 26 500 | 1.1 | 317 | 2KJ3512 - ■ KN33 - ■ ■ M1 | |
| | | 60 | 3 510 | 24.61 | 26 600 | 1.3 | 317 | 2KJ3512 - ■ KN33 - ■ ■ L1 | |
| 68 | | 3 090 | 21.68 | 26 600 | 1.4 | 317 | 2KJ3512 - ■ KN33 - ■ ■ K1 | | |
| 77 | | 2 710 | 19.00 | 26 400 | 1.5 | 317 | 2KJ3512 - ■ KN33 - ■ ■ J1 | | |
| 89 | | 2 360 | 16.56 | 26 200 | 1.7 | 317 | 2KJ3512 - ■ KN33 - ■ ■ H1 | | |
| 97 | | 2 160 | 15.11 | 25 900 | 1.8 | 317 | 2KJ3512 - ■ KN33 - ■ ■ G1 | | |
| 113 | | 1 850 | 13.01 | 25 500 | 2.0 | 317 | 2KJ3512 - ■ KN33 - ■ ■ F1 | | |
| 125 | | 1 680 | 11.80 | 25 200 | 1.7 | 317 | 2KJ3512 - ■ KN33 - ■ ■ E1 | | |
| 142 | | 1 470 | 10.34 | 24 700 | 1.9 | 317 | 2KJ3512 - ■ KN33 - ■ ■ D1 | | |
| 163 | | 1 280 | 9.01 | 24 100 | 2.1 | 317 | 2KJ3512 - ■ KN33 - ■ ■ C1 | | |
| 179 | | 1 170 | 8.22 | 23 800 | 2.3 | 317 | 2KJ3512 - ■ KN33 - ■ ■ B1 | | |
| 208 | | 1 010 | 7.08 | 23 100 | 2.5 | 317 | 2KJ3512 - ■ KN33 - ■ ■ A1 | | |
| 22 | | K.109-LES180ZLN4P | | | | | | | |
| | | 75 | 2 810 | 19.71 | 17 200 | 0.84 | 268 | 2KJ3511 - ■ KN33 - ■ ■ K1 | |
| | 85 | 2 470 | 17.30 | 17 400 | 0.97 | 268 | 2KJ3511 - ■ KN33 - ■ ■ J1 | | |
| | 98 | 2 150 | 15.06 | 17 500 | 1.1 | 268 | 2KJ3511 - ■ KN33 - ■ ■ H1 | | |
| | 114 | 1 830 | 12.87 | 17 600 | 1.2 | 268 | 2KJ3511 - ■ KN33 - ■ ■ G1 | | |
| | 133 | 1 570 | 11.02 | 17 400 | 1.3 | 268 | 2KJ3511 - ■ KN33 - ■ ■ F1 | | |
| | 141 | 1 490 | 10.45 | 16 600 | 0.84 | 268 | 2KJ3511 - ■ KN33 - ■ ■ E1 | | |
| | 160 | 1 310 | 9.17 | 16 500 | 0.97 | 268 | 2KJ3511 - ■ KN33 - ■ ■ D1 | | |
| | 184 | 1 140 | 7.99 | 16 300 | 1.1 | 268 | 2KJ3511 - ■ KN33 - ■ ■ C1 | | |
| | 215 | 975 | 6.83 | 16 000 | 1.3 | 268 | 2KJ3511 - ■ KN33 - ■ ■ B1 | | |
| | 252 | 835 | 5.84 | 15 700 | 1.6 | 268 | 2KJ3511 - ■ KN33 - ■ ■ A1 | | |
| | 30 | K.189-LES200ZLU4P | | | | | | | |
| | | 13 | 22 800 | 117.00 | 104 000 | 0.86 | 875 | 2KJ3515 - ■ LN33 - ■ ■ R1 | |
| 14 | | 20 300 | 104.56 | 104 000 | 0.96 | 875 | 2KJ3515 - ■ LN33 - ■ ■ Q1 | | |
| 16 | | 18 400 | 94.55 | 104 000 | 1.1 | 875 | 2KJ3515 - ■ LN33 - ■ ■ P1 | | |
| 18 | | 16 200 | 83.44 | 104 000 | 1.2 | 875 | 2KJ3515 - ■ LN33 - ■ ■ N1 | | |
| 20 | | 14 400 | 74.35 | 104 000 | 1.3 | 875 | 2KJ3515 - ■ LN33 - ■ ■ M1 | | |

Article No. supplement

Shaft design

1, 5, 6, 7 or 9

→ page 10/44

Frequency and voltage

2 or 9

→ page 11/2

Gearbox mounting type

A, D, F or H

→ page 10/37

Selection and ordering data (continued)

| P_{rated} kW | n_2 rpm | T_2 Nm | i - | F_{R2} N | f_B - | m kg | Article No. (Article No. supplement → below) | Order code No. of poles |
|--------------------------|--------------------------|-------------|----------|---------------|------------|---------------------------|---|----------------------------|
| 30 | K.189-LES200ZLU4P | | | | | | | |
| | 22 | 13 100 | 67.36 | 104 000 | 1.5 | 875 | 2KJ3515 - ■ LN33 - ■ ■ L1 | |
| | 24 | 11 800 | 60.58 | 104 000 | 1.7 | 875 | 2KJ3515 - ■ LN33 - ■ ■ K1 | |
| | 29 | 9 810 | 50.34 | 104 000 | 2.0 | 875 | 2KJ3515 - ■ LN33 - ■ ■ J1 | |
| | 33 | 8 720 | 44.76 | 104 000 | 2.2 | 875 | 2KJ3515 - ■ LN33 - ■ ■ H1 | |
| | K.169-LES200ZLU4P | | | | | | | |
| | 19 | 14 800 | 76.23 | 65 900 | 0.88 | 645 | 2KJ3514 - ■ LN33 - ■ ■ T1 | |
| | 22 | 13 100 | 67.61 | 66 300 | 0.99 | 645 | 2KJ3514 - ■ LN33 - ■ ■ S1 | |
| | 24 | 12 000 | 62.07 | 66 400 | 1.1 | 645 | 2KJ3514 - ■ LN33 - ■ ■ R1 | |
| | 27 | 10 600 | 54.68 | 66 200 | 1.2 | 645 | 2KJ3514 - ■ LN33 - ■ ■ Q1 | |
| | 33 | 8 740 | 44.86 | 65 300 | 1.5 | 645 | 2KJ3514 - ■ LN33 - ■ ■ P1 | |
| | 37 | 7 660 | 39.33 | 64 500 | 1.7 | 645 | 2KJ3514 - ■ LN33 - ■ ■ N1 | |
| | 48 | 5 990 | 30.75 | 62 500 | 2.2 | 645 | 2KJ3514 - ■ LN33 - ■ ■ M1 | |
| | 50 | 5 730 | 29.43 | 62 100 | 2.3 | 645 | 2KJ3514 - ■ LN33 - ■ ■ L1 | |
| | 54 | 5 260 | 27.02 | 61 300 | 2.5 | 645 | 2KJ3514 - ■ LN33 - ■ ■ K1 | |
| 62 | 4 630 | 23.80 | 60 000 | 2.8 | 645 | 2KJ3514 - ■ LN33 - ■ ■ J1 | | |
| 120 | 2 370 | 12.20 | 51 100 | 2.8 | 645 | 2KJ3514 - ■ LN33 - ■ ■ E1 | | |
| 147 | 1 950 | 10.01 | 49 000 | 3.3 | 645 | 2KJ3514 - ■ LN33 - ■ ■ D1 | | |
| 167 | 1 710 | 8.78 | 47 600 | 3.7 | 645 | 2KJ3514 - ■ LN33 - ■ ■ C1 | | |
| K.149-LES200ZLU4P | | | | | | | | |
| 30 | 9 660 | 49.60 | 35 900 | 0.83 | 474 | 2KJ3513 - ■ LN33 - ■ ■ S1 | | |
| 34 | 8 410 | 43.18 | 36 900 | 0.95 | 474 | 2KJ3513 - ■ LN33 - ■ ■ R1 | | |
| 42 | 6 890 | 35.40 | 37 600 | 1.1 | 474 | 2KJ3513 - ■ LN33 - ■ ■ Q1 | | |
| 45 | 6 300 | 32.33 | 37 700 | 1.2 | 474 | 2KJ3513 - ■ LN33 - ■ ■ P1 | | |
| 51 | 5 580 | 28.66 | 37 800 | 1.4 | 474 | 2KJ3513 - ■ LN33 - ■ ■ N1 | | |
| 58 | 4 930 | 25.30 | 37 600 | 1.5 | 474 | 2KJ3513 - ■ LN33 - ■ ■ M1 | | |
| 66 | 4 330 | 22.25 | 37 400 | 1.7 | 474 | 2KJ3513 - ■ LN33 - ■ ■ L1 | | |
| 73 | 3 920 | 20.15 | 37 100 | 1.8 | 474 | 2KJ3513 - ■ LN33 - ■ ■ K1 | | |
| 84 | 3 410 | 17.54 | 36 500 | 2.0 | 474 | 2KJ3513 - ■ LN33 - ■ ■ J1 | | |
| 102 | 2 800 | 14.38 | 35 600 | 2.4 | 474 | 2KJ3513 - ■ LN33 - ■ ■ H1 | | |
| 104 | 2 750 | 14.15 | 35 100 | 1.5 | 474 | 2KJ3513 - ■ LN33 - ■ ■ G1 | | |
| 118 | 2 420 | 12.44 | 34 400 | 1.7 | 474 | 2KJ3513 - ■ LN33 - ■ ■ F1 | | |
| 131 | 2 190 | 11.26 | 33 900 | 1.8 | 474 | 2KJ3513 - ■ LN33 - ■ ■ E1 | | |
| 150 | 1 910 | 9.81 | 33 100 | 2.0 | 474 | 2KJ3513 - ■ LN33 - ■ ■ D1 | | |
| 183 | 1 560 | 8.04 | 31 800 | 2.4 | 474 | 2KJ3513 - ■ LN33 - ■ ■ C1 | | |
| 216 | 1 320 | 6.82 | 30 800 | 2.7 | 474 | 2KJ3513 - ■ LN33 - ■ ■ B1 | | |
| K.129-LES200ZLU4P | | | | | | | | |
| 53 | 5 370 | 27.58 | 21 600 | 0.82 | 393 | 2KJ3512 - ■ LN33 - ■ ■ M1 | | |
| 60 | 4 790 | 24.61 | 22 200 | 0.92 | 393 | 2KJ3512 - ■ LN33 - ■ ■ L1 | | |
| 68 | 4 220 | 21.68 | 22 700 | 1.0 | 393 | 2KJ3512 - ■ LN33 - ■ ■ K1 | | |
| 77 | 3 700 | 19.00 | 23 100 | 1.1 | 393 | 2KJ3512 - ■ LN33 - ■ ■ J1 | | |
| 89 | 3 220 | 16.56 | 23 300 | 1.2 | 393 | 2KJ3512 - ■ LN33 - ■ ■ H1 | | |
| 97 | 2 940 | 15.11 | 23 300 | 1.3 | 393 | 2KJ3512 - ■ LN33 - ■ ■ G1 | | |
| 113 | 2 530 | 13.01 | 23 200 | 1.5 | 393 | 2KJ3512 - ■ LN33 - ■ ■ F1 | | |
| 125 | 2 300 | 11.80 | 23 100 | 1.2 | 393 | 2KJ3512 - ■ LN33 - ■ ■ E1 | | |
| 142 | 2 010 | 10.34 | 22 800 | 1.4 | 393 | 2KJ3512 - ■ LN33 - ■ ■ D1 | | |
| 163 | 1 750 | 9.01 | 22 500 | 1.6 | 393 | 2KJ3512 - ■ LN33 - ■ ■ C1 | | |
| 179 | 1 600 | 8.22 | 22 300 | 1.7 | 393 | 2KJ3512 - ■ LN33 - ■ ■ B1 | | |
| 208 | 1 380 | 7.08 | 21 800 | 1.8 | 393 | 2KJ3512 - ■ LN33 - ■ ■ A1 | | |

Article No. supplement

Shaft design

1, 5, 6, 7 or 9

Frequency and voltage

2 or 9

Gearbox mounting type

A, D, F or H

→ page 10/44

→ page 11/2

→ page 10/37

SIMOGEAR geared motors

Bevel geared motors

Geared motors up to 55 kW

Selection and ordering data (continued)

| P_{rated} kW | n_2 rpm | T_2 Nm | i - | F_{R2} N | f_B - | m kg | Article No. (Article No. supplement → below) | Order code No. of poles |
|--------------------------|-------------------------|-------------|----------|---------------|------------|-----------|---|----------------------------|
| 37 | K.189-LES225SD4P | | | | | | | |
| | 16 | 22 600 | 94.55 | 104 000 | 0.86 | 917 | 2KJ3515 - MF33 - P1 | |
| | 18 | 19 900 | 83.44 | 104 000 | 0.98 | 917 | 2KJ3515 - MF33 - N1 | |
| | 20 | 17 700 | 74.35 | 104 000 | 1.1 | 917 | 2KJ3515 - MF33 - M1 | |
| | 22 | 16 100 | 67.36 | 104 000 | 1.2 | 917 | 2KJ3515 - MF33 - L1 | |
| | 24 | 14 400 | 60.58 | 104 000 | 1.3 | 917 | 2KJ3515 - MF33 - K1 | |
| | 29 | 12 000 | 50.34 | 104 000 | 1.6 | 917 | 2KJ3515 - MF33 - J1 | |
| | 33 | 10 700 | 44.76 | 104 000 | 1.8 | 917 | 2KJ3515 - MF33 - H1 | |
| | 41 | 8 520 | 35.67 | 104 000 | 2.3 | 917 | 2KJ3515 - MF33 - G1 | |
| | 52 | 6 780 | 28.39 | 104 000 | 2.9 | 917 | 2KJ3515 - MF33 - F1 | |
| | K.169-LES225SD4P | | | | | | | |
| | 22 | 16 100 | 67.61 | 59 200 | 0.80 | 690 | 2KJ3514 - MF33 - S1 | |
| | 24 | 14 800 | 62.07 | 59 800 | 0.88 | 690 | 2KJ3514 - MF33 - R1 | |
| | 27 | 13 000 | 54.68 | 60 400 | 0.99 | 690 | 2KJ3514 - MF33 - Q1 | |
| | 33 | 10 700 | 44.86 | 60 600 | 1.2 | 690 | 2KJ3514 - MF33 - P1 | |
| | 38 | 9 400 | 39.33 | 60 300 | 1.4 | 690 | 2KJ3514 - MF33 - N1 | |
| | 48 | 7 350 | 30.75 | 59 200 | 1.8 | 690 | 2KJ3514 - MF33 - M1 | |
| | 50 | 7 030 | 29.43 | 58 900 | 1.8 | 690 | 2KJ3514 - MF33 - L1 | |
| | 55 | 6 460 | 27.02 | 58 400 | 2.0 | 690 | 2KJ3514 - MF33 - K1 | |
| | 62 | 5 690 | 23.80 | 57 400 | 2.3 | 690 | 2KJ3514 - MF33 - J1 | |
| | 76 | 4 660 | 19.53 | 55 700 | 2.7 | 690 | 2KJ3514 - MF33 - H1 | |
| | 86 | 4 090 | 17.12 | 54 500 | 3.0 | 690 | 2KJ3514 - MF33 - G1 | |
| | 121 | 2 910 | 12.20 | 49 500 | 2.3 | 690 | 2KJ3514 - MF33 - E1 | |
| | 148 | 2 390 | 10.01 | 47 600 | 2.7 | 690 | 2KJ3514 - MF33 - D1 | |
| | 168 | 2 090 | 8.78 | 46 400 | 3.0 | 690 | 2KJ3514 - MF33 - C1 | |
| | 215 | 1 640 | 6.86 | 43 900 | 3.7 | 690 | 2KJ3514 - MF33 - B1 | |
| | K.149-LES225SD4P | | | | | | | |
| | 42 | 8 460 | 35.40 | 33 100 | 0.93 | 518 | 2KJ3513 - MF33 - Q1 | |
| | 46 | 7 720 | 32.33 | 33 700 | 1.0 | 518 | 2KJ3513 - MF33 - P1 | |
| | 52 | 6 850 | 28.66 | 34 100 | 1.1 | 518 | 2KJ3513 - MF33 - N1 | |
| | 58 | 6 040 | 25.30 | 34 400 | 1.2 | 518 | 2KJ3513 - MF33 - M1 | |
| | 66 | 5 310 | 22.25 | 34 500 | 1.4 | 518 | 2KJ3513 - MF33 - L1 | |
| | 73 | 4 810 | 20.15 | 34 500 | 1.5 | 518 | 2KJ3513 - MF33 - K1 | |
| | 84 | 4 190 | 17.54 | 34 300 | 1.6 | 518 | 2KJ3513 - MF33 - J1 | |
| | 103 | 3 430 | 14.38 | 33 700 | 1.9 | 518 | 2KJ3513 - MF33 - H1 | |
| | 104 | 3 380 | 14.15 | 33 200 | 1.2 | 518 | 2KJ3513 - MF33 - G1 | |
| | 119 | 2 970 | 12.44 | 32 700 | 1.4 | 518 | 2KJ3513 - MF33 - F1 | |
| | 131 | 2 690 | 11.26 | 32 300 | 1.5 | 518 | 2KJ3513 - MF33 - E1 | |
| | 151 | 2 340 | 9.81 | 31 700 | 1.6 | 518 | 2KJ3513 - MF33 - D1 | |
| | 184 | 1 920 | 8.04 | 30 700 | 1.9 | 518 | 2KJ3513 - MF33 - C1 | |
| | 217 | 1 630 | 6.82 | 29 800 | 2.2 | 518 | 2KJ3513 - MF33 - B1 | |
| | K.129-LES225SD4P | | | | | | | |
| | 68 | 5 180 | 21.68 | 19 400 | 0.82 | 435 | 2KJ3512 - MF33 - K1 | |
| | 78 | 4 540 | 19.00 | 20 100 | 0.91 | 435 | 2KJ3512 - MF33 - J1 | |
| | 89 | 3 950 | 16.56 | 20 700 | 1.0 | 435 | 2KJ3512 - MF33 - H1 | |
| | 98 | 3 610 | 15.11 | 20 900 | 1.1 | 435 | 2KJ3512 - MF33 - G1 | |
| | 114 | 3 110 | 13.01 | 21 200 | 1.2 | 435 | 2KJ3512 - MF33 - F1 | |
| | 125 | 2 820 | 11.80 | 21 200 | 1.0 | 435 | 2KJ3512 - MF33 - E1 | |

Article No. supplement

Shaft design

1, 5, 6, 7 or 9

→ page 10/44

Frequency and voltage

2 or 9

→ page 11/2

Gearbox mounting type

A, D, F or H

→ page 10/37

Selection and ordering data (continued)

| P_{rated} kW | n_2 rpm | T_2 Nm | i - | F_{R2} N | f_B - | m kg | Article No. (Article No. supplement → below) | Order code No. of poles |
|--------------------------|--------------------------|-------------|----------|---------------|------------|---------------------------|---|----------------------------|
| 37 | K.129-LES225SD4P | | | | | | | |
| | 143 | 2 470 | 10.34 | 21 200 | 1.2 | 435 | 2KJ3512 - ■ MF33 - ■ ■ D1 | |
| | 164 | 2 150 | 9.01 | 21 100 | 1.3 | 435 | 2KJ3512 - ■ MF33 - ■ ■ C1 | |
| | 180 | 1 960 | 8.22 | 21 000 | 1.4 | 435 | 2KJ3512 - ■ MF33 - ■ ■ B1 | |
| | 209 | 1 690 | 7.08 | 20 700 | 1.5 | 435 | 2KJ3512 - ■ MF33 - ■ ■ A1 | |
| 45 | K.189-LES225YMF4P | | | | | | | |
| | 18 | 24 200 | 83.44 | 104 000 | 0.8 | 962 | 2KJ3515 - ■ MT33 - ■ ■ N1 | |
| | 20 | 21 600 | 74.35 | 104 000 | 0.9 | 962 | 2KJ3515 - ■ MT33 - ■ ■ M1 | |
| | 22 | 19 500 | 67.36 | 104 000 | 1.0 | 962 | 2KJ3515 - ■ MT33 - ■ ■ L1 | |
| | 24 | 17 600 | 60.58 | 104 000 | 1.1 | 962 | 2KJ3515 - ■ MT33 - ■ ■ K1 | |
| | 29 | 14 600 | 50.34 | 104 000 | 1.3 | 962 | 2KJ3515 - ■ MT33 - ■ ■ J1 | |
| | 33 | 13 000 | 44.76 | 104 000 | 1.5 | 962 | 2KJ3515 - ■ MT33 - ■ ■ H1 | |
| | 41 | 10 300 | 35.67 | 104 000 | 1.9 | 962 | 2KJ3515 - ■ MT33 - ■ ■ G1 | |
| | 52 | 8 250 | 28.39 | 103 900 | 2.4 | 962 | 2KJ3515 - ■ MT33 - ■ ■ F1 | |
| | 58 | 7 370 | 25.37 | 101 700 | 2.6 | 962 | 2KJ3515 - ■ MT33 - ■ ■ E1 | |
| | K.169-LES225YMF4P | | | | | | | |
| | 27 | 15 800 | 54.68 | 53 900 | 0.82 | 735 | 2KJ3514 - ■ MT33 - ■ ■ Q1 | |
| | 33 | 13 000 | 44.86 | 55 200 | 1.0 | 735 | 2KJ3514 - ■ MT33 - ■ ■ P1 | |
| | 38 | 11 400 | 39.33 | 55 600 | 1.1 | 735 | 2KJ3514 - ■ MT33 - ■ ■ N1 | |
| | 48 | 8 940 | 30.75 | 55 500 | 1.5 | 735 | 2KJ3514 - ■ MT33 - ■ ■ M1 | |
| | 50 | 8 550 | 29.43 | 55 400 | 1.5 | 735 | 2KJ3514 - ■ MT33 - ■ ■ L1 | |
| | 55 | 7 850 | 27.02 | 55 100 | 1.7 | 735 | 2KJ3514 - ■ MT33 - ■ ■ K1 | |
| | 62 | 6 920 | 23.80 | 54 600 | 1.9 | 735 | 2KJ3514 - ■ MT33 - ■ ■ J1 | |
| | 76 | 5 670 | 19.53 | 53 400 | 2.2 | 735 | 2KJ3514 - ■ MT33 - ■ ■ H1 | |
| | 86 | 4 970 | 17.12 | 52 400 | 2.5 | 735 | 2KJ3514 - ■ MT33 - ■ ■ G1 | |
| | 110 | 3 890 | 13.39 | 50 400 | 3.1 | 735 | 2KJ3514 - ■ MT33 - ■ ■ F1 | |
| | 121 | 3 540 | 12.20 | 47 700 | 1.9 | 735 | 2KJ3514 - ■ MT33 - ■ ■ E1 | |
| | 148 | 2 910 | 10.01 | 46 100 | 2.2 | 735 | 2KJ3514 - ■ MT33 - ■ ■ D1 | |
| | 168 | 2 550 | 8.78 | 45 100 | 2.5 | 735 | 2KJ3514 - ■ MT33 - ■ ■ C1 | |
| | 215 | 1 990 | 6.86 | 42 900 | 3.1 | 735 | 2KJ3514 - ■ MT33 - ■ ■ B1 | |
| K.149-LES225YMF4P | | | | | | | | |
| 46 | 9 400 | 32.33 | 29 000 | 0.83 | 563 | 2KJ3513 - ■ MT33 - ■ ■ P1 | | |
| 52 | 8 330 | 28.66 | 30 000 | 0.92 | 563 | 2KJ3513 - ■ MT33 - ■ ■ N1 | | |
| 58 | 7 350 | 25.30 | 30 800 | 1.0 | 563 | 2KJ3513 - ■ MT33 - ■ ■ M1 | | |
| 66 | 6 470 | 22.25 | 31 300 | 1.1 | 563 | 2KJ3513 - ■ MT33 - ■ ■ L1 | | |
| 73 | 5 850 | 20.15 | 31 600 | 1.2 | 563 | 2KJ3513 - ■ MT33 - ■ ■ K1 | | |
| 84 | 5 100 | 17.54 | 31 700 | 1.4 | 563 | 2KJ3513 - ■ MT33 - ■ ■ J1 | | |
| 103 | 4 180 | 14.38 | 31 600 | 1.6 | 563 | 2KJ3513 - ■ MT33 - ■ ■ H1 | | |
| 104 | 4 110 | 14.15 | 31 000 | 1.0 | 563 | 2KJ3513 - ■ MT33 - ■ ■ G1 | | |
| 119 | 3 610 | 12.44 | 30 800 | 1.1 | 563 | 2KJ3513 - ■ MT33 - ■ ■ F1 | | |
| 131 | 3 270 | 11.26 | 30 600 | 1.2 | 563 | 2KJ3513 - ■ MT33 - ■ ■ E1 | | |
| 151 | 2 850 | 9.81 | 30 200 | 1.3 | 563 | 2KJ3513 - ■ MT33 - ■ ■ D1 | | |
| 184 | 2 330 | 8.04 | 29 500 | 1.6 | 563 | 2KJ3513 - ■ MT33 - ■ ■ C1 | | |
| 217 | 1 980 | 6.82 | 28 800 | 1.8 | 563 | 2KJ3513 - ■ MT33 - ■ ■ B1 | | |
| K.129-LES225YMF4P | | | | | | | | |
| 89 | 4 810 | 16.56 | 17 800 | 0.83 | 480 | 2KJ3512 - ■ MT33 - ■ ■ H1 | | |
| 98 | 4 390 | 15.11 | 18 300 | 0.90 | 480 | 2KJ3512 - ■ MT33 - ■ ■ G1 | | |
| 114 | 3 780 | 13.01 | 18 900 | 1.0 | 480 | 2KJ3512 - ■ MT33 - ■ ■ F1 | | |
| 125 | 3 430 | 11.80 | 19 100 | 0.82 | 480 | 2KJ3512 - ■ MT33 - ■ ■ E1 | | |

Article No. supplement

Shaft design

1, 5, 6, 7 or 9

Frequency and voltage

2 or 9

Gearbox mounting type

A, D, F or H

→ page 10/44

→ page 11/2

→ page 10/37

SIMOGEAR geared motors

Bevel geared motors

Geared motors up to 55 kW

Selection and ordering data (continued)

| P_{rated} kW | n_2 rpm | T_2 Nm | i - | F_{R2} N | f_B - | m kg | Article No. (Article No. supplement → below) | Order code No. of poles |
|--------------------------|--------------------------|-------------|----------|---------------|------------|---------------------------|---|----------------------------|
| 45 | K.129-LES225YMF4P | | | | | | | |
| | 143 | 3 000 | 10.34 | 19 400 | 0.95 | 480 | 2KJ3512 - ■ MT33 - ■ ■ D1 | |
| | 164 | 2 620 | 9.01 | 19 500 | 1.1 | 480 | 2KJ3512 - ■ MT33 - ■ ■ C1 | |
| | 180 | 2 390 | 8.22 | 19 500 | 1.1 | 480 | 2KJ3512 - ■ MT33 - ■ ■ B1 | |
| | 209 | 2 050 | 7.08 | 19 500 | 1.2 | 480 | 2KJ3512 - ■ MT33 - ■ ■ A1 | |
| 55 | K.189-LES250MD4P | | | | | | | |
| | 22 | 24 000 | 67.36 | 104 000 | 0.81 | 1 066 | 2KJ3515 - ■ NM33 - ■ ■ L1 | |
| | 24 | 21 600 | 60.58 | 104 000 | 0.90 | 1 066 | 2KJ3515 - ■ NM33 - ■ ■ K1 | |
| | 29 | 17 900 | 50.34 | 104 000 | 1.1 | 1 066 | 2KJ3515 - ■ NM33 - ■ ■ J1 | |
| | 33 | 15 900 | 44.76 | 104 000 | 1.2 | 1 066 | 2KJ3515 - ■ NM33 - ■ ■ H1 | |
| | 41 | 12 700 | 35.67 | 103 500 | 1.5 | 1 066 | 2KJ3515 - ■ NM33 - ■ ■ G1 | |
| | 52 | 10 100 | 28.39 | 100 300 | 1.9 | 1 066 | 2KJ3515 - ■ NM33 - ■ ■ F1 | |
| | 58 | 9 060 | 25.37 | 98 400 | 2.2 | 1 066 | 2KJ3515 - ■ NM33 - ■ ■ E1 | |
| | 70 | 7 530 | 21.09 | 95 300 | 2.6 | 1 066 | 2KJ3515 - ■ NM33 - ■ ■ D1 | |
| | 78 | 6 700 | 18.75 | 93 100 | 2.9 | 1 066 | 2KJ3515 - ■ NM33 - ■ ■ C1 | |
| | K.169-LES250MD4P | | | | | | | |
| | 33 | 16 000 | 44.86 | 48 400 | 0.81 | 837 | 2KJ3514 - ■ NM33 - ■ ■ P1 | |
| | 37 | 14 000 | 39.33 | 49 700 | 0.93 | 837 | 2KJ3514 - ■ NM33 - ■ ■ N1 | |
| | 48 | 10 900 | 30.75 | 51 100 | 1.2 | 837 | 2KJ3514 - ■ NM33 - ■ ■ M1 | |
| | 50 | 10 500 | 29.43 | 51 000 | 1.2 | 837 | 2KJ3514 - ■ NM33 - ■ ■ L1 | |
| | 54 | 9 650 | 27.02 | 51 100 | 1.3 | 837 | 2KJ3514 - ■ NM33 - ■ ■ K1 | |
| | 62 | 8 500 | 23.80 | 51 000 | 1.5 | 837 | 2KJ3514 - ■ NM33 - ■ ■ J1 | |
| | 75 | 6 970 | 19.53 | 50 500 | 1.8 | 837 | 2KJ3514 - ■ NM33 - ■ ■ H1 | |
| | 86 | 6 110 | 17.12 | 49 900 | 2.0 | 837 | 2KJ3514 - ■ NM33 - ■ ■ G1 | |
| | 110 | 4 780 | 13.39 | 48 400 | 2.5 | 837 | 2KJ3514 - ■ NM33 - ■ ■ F1 | |
| | 120 | 4 350 | 12.20 | 45 400 | 1.6 | 837 | 2KJ3514 - ■ NM33 - ■ ■ E1 | |
| | 147 | 3 570 | 10.01 | 44 300 | 1.8 | 837 | 2KJ3514 - ■ NM33 - ■ ■ D1 | |
| | 167 | 3 130 | 8.78 | 43 500 | 2.0 | 837 | 2KJ3514 - ■ NM33 - ■ ■ C1 | |
| | 214 | 2 450 | 6.86 | 41 700 | 2.5 | 837 | 2KJ3514 - ■ NM33 - ■ ■ B1 | |
| | K.149-LES250MD4P | | | | | | | |
| | 58 | 9 040 | 25.30 | 26 100 | 0.82 | 664 | 2KJ3513 - ■ NM33 - ■ ■ M1 | |
| | 66 | 7 950 | 22.25 | 27 200 | 0.91 | 664 | 2KJ3513 - ■ NM33 - ■ ■ L1 | |
| | 73 | 7 200 | 20.15 | 27 900 | 0.98 | 664 | 2KJ3513 - ■ NM33 - ■ ■ K1 | |
| | 84 | 6 260 | 17.54 | 28 600 | 1.1 | 664 | 2KJ3513 - ■ NM33 - ■ ■ J1 | |
| | 102 | 5 130 | 14.38 | 29 100 | 1.3 | 664 | 2KJ3513 - ■ NM33 - ■ ■ H1 | |
| | 104 | 5 050 | 14.15 | 28 300 | 0.82 | 664 | 2KJ3513 - ■ NM33 - ■ ■ G1 | |
| | 118 | 4 440 | 12.44 | 28 500 | 0.91 | 664 | 2KJ3513 - ■ NM33 - ■ ■ F1 | |
| | 131 | 4 020 | 11.26 | 28 500 | 0.98 | 664 | 2KJ3513 - ■ NM33 - ■ ■ E1 | |
| | 150 | 3 500 | 9.81 | 28 400 | 1.1 | 664 | 2KJ3513 - ■ NM33 - ■ ■ D1 | |
| | 183 | 2 870 | 8.04 | 28 000 | 1.3 | 664 | 2KJ3513 - ■ NM33 - ■ ■ C1 | |
| 216 | 2 430 | 6.82 | 27 500 | 1.5 | 664 | 2KJ3513 - ■ NM33 - ■ ■ B1 | | |

Article No. supplement

Shaft design

1, 5, 6, 7 or 9

→ page 10/44

Frequency and voltage

2 or 9

→ page 11/2

Gearbox mounting type

A, D, F or H

→ page 10/37

SIMOGEAR geared motors

Bevel geared motors

Transmission ratios and torques

Selection and ordering data

| i | n_2 rpm | T_{2N} Nm | F_{R2} N | $\phi^{1)}$ | J_G 10^{-4} kgm ² | R_{ex} - | Motor frame size | | | | | | | | Article No. | | |
|--------------|--------------|----------------|---------------|-------------|--|---------------|------------------|----|----|----|-----|-----|-----|-----|-------------|-----|--------------------------|
| | | | | | | | 63 | 71 | 80 | 90 | 100 | 112 | 132 | 160 | | 180 | 200 |
| B.19 | | | | | | | | | | | | | | | | | |
| 42.10 | 34 | 50 | 3 880 | 13.0 | 0.02 | 3410/81 | ✓ | ✓ | | | | | | | | | 2KJ3500 - ■■■■■■ - ■■ A2 |
| 37.28 | 39 | 50 | 3 700 | 13.5 | 0.03 | 671/18 | ✓ | ✓ | ✓ | | | | | | | | 2KJ3500 - ■■■■■■ - ■■ X1 |
| 32.39 | 45 | 50 | 3 510 | 13.6 | 0.04 | 583/18 | ✓ | ✓ | ✓ | | | | | | | | 2KJ3500 - ■■■■■■ - ■■ W1 |
| 29.44 | 49 | 50 | 3 380 | 13.6 | 0.04 | 265/9 | ✓ | ✓ | ✓ | | | | | | | | 2KJ3500 - ■■■■■■ - ■■ V1 |
| 25.06 | 58 | 50 | 3 170 | 13.7 | 0.06 | 451/18 | ✓ | ✓ | ✓ | | | | | | | | 2KJ3500 - ■■■■■■ - ■■ U1 |
| 22.78 | 64 | 50 | 3 050 | 13.7 | 0.08 | 205/9 | ✓ | ✓ | ✓ | | | | | | | | 2KJ3500 - ■■■■■■ - ■■ T1 |
| 19.86 | 73 | 50 | 2 890 | 13.9 | 0.09 | 715/36 | ✓ | ✓ | ✓ | | | | | | | | 2KJ3500 - ■■■■■■ - ■■ S1 |
| 17.78 | 82 | 50 | 2 770 | 14.0 | 0.12 | 160/9 | ✓ | ✓ | ✓ | | | | | | | | 2KJ3500 - ■■■■■■ - ■■ R1 |
| 15.79 | 92 | 50 | 2 640 | 14.1 | 0.14 | 1705/108 | ✓ | ✓ | ✓ | | | | | | | | 2KJ3500 - ■■■■■■ - ■■ Q1 |
| 14.57 | 100 | 50 | 2 550 | 14.1 | 0.17 | 1705/117 | ✓ | ✓ | ✓ | | | | | | | | 2KJ3500 - ■■■■■■ - ■■ P1 |
| 12.66 | 115 | 50 | 2 410 | 14.4 | 0.19 | 1595/126 | ✓ | ✓ | ✓ | | | | | | | | 2KJ3500 - ■■■■■■ - ■■ N1 |
| 11.00 | 132 | 50 | 2 270 | 14.1 | 0.19 | 11/1 | ✓ | ✓ | ✓ | | | | | | | | 2KJ3500 - ■■■■■■ - ■■ M1 |
| 9.93 | 146 | 50 | 2 190 | 14.2 | 0.25 | 715/72 | ✓ | ✓ | ✓ | | | | | | | | 2KJ3500 - ■■■■■■ - ■■ L1 |
| 9.35 | 155 | 50 | 2 160 | 14.2 | 0.29 | 1430/153 | ✓ | ✓ | ✓ | | | | | | | | 2KJ3500 - ■■■■■■ - ■■ K1 |
| 8.15 | 178 | 47 | 2 110 | 14.6 | 0.33 | 220/27 | ✓ | ✓ | ✓ | | | | | | | | 2KJ3500 - ■■■■■■ - ■■ J1 |
| 7.87 | 184 | 38 | 2 160 | 21.4 | 0.14 | 1472/187 | ✓ | ✓ | ✓ | | | | | | | | 2KJ3500 - ■■■■■■ - ■■ H1 |
| 6.99 | 207 | 38 | 2 100 | 21.7 | 0.17 | 713/102 | ✓ | ✓ | ✓ | | | | | | | | 2KJ3500 - ■■■■■■ - ■■ G1 |
| 6.45 | 225 | 39 | 2 060 | 21.6 | 0.20 | 1426/221 | ✓ | ✓ | ✓ | | | | | | | | 2KJ3500 - ■■■■■■ - ■■ F1 |
| 5.61 | 258 | 37 | 1 990 | 22.3 | 0.22 | 667/119 | ✓ | ✓ | ✓ | | | | | | | | 2KJ3500 - ■■■■■■ - ■■ E1 |
| 4.87 | 298 | 35 | 1 930 | 21.6 | 0.24 | 414/85 | ✓ | ✓ | ✓ | | | | | | | | 2KJ3500 - ■■■■■■ - ■■ D1 |
| 4.40 | 330 | 34 | 1 880 | 22.0 | 0.32 | 299/68 | ✓ | ✓ | ✓ | | | | | | | | 2KJ3500 - ■■■■■■ - ■■ C1 |
| 4.14 | 350 | 33 | 1 850 | 22.0 | 0.37 | 1196/289 | ✓ | ✓ | ✓ | | | | | | | | 2KJ3500 - ■■■■■■ - ■■ B1 |
| 3.61 | 402 | 31 | 1 780 | 22.8 | 0.43 | 184/51 | ✓ | ✓ | ✓ | | | | | | | | 2KJ3500 - ■■■■■■ - ■■ A1 |

¹⁾ Only in conjunction with reduced-backlash version

SIMOGEAR geared motors

Bevel geared motors

Transmission ratios and torques

Selection and ordering data (continued)

| i | n_2 rpm | T_{2N} Nm | F_{R2} N | $\phi^{1)}$ | J_G 10^{-4} kgm ² | R_{ex} - | Motor frame size | | | | | | | | Article No. | |
|--------------|--------------|----------------|---------------|-------------|--|---------------|------------------|----|----|----|-----|-----|-----|-----|-------------|--------------------------|
| | | | | | | | 63 | 71 | 80 | 90 | 100 | 112 | 132 | 160 | | 180 |
| B.29 | | | | | | | | | | | | | | | | |
| 46.85 | 31 | 110 | 4 130 | 10.6 | 0.04 | 1265/27 | ✓ | ✓ | | | | | | | | 2KJ3501 - ■■■■■■ - ■■ B2 |
| 41.56 | 35 | 110 | 4 130 | 11.0 | 0.05 | 374/9 | ✓ | ✓ | ✓ | ✓ | | | | | | 2KJ3501 - ■■■■■■ - ■■ A2 |
| 36.06 | 40 | 110 | 4 130 | 11.1 | 0.06 | 649/18 | ✓ | ✓ | ✓ | ✓ | | | | | | 2KJ3501 - ■■■■■■ - ■■ X1 |
| 32.78 | 44 | 110 | 4 130 | 11.1 | 0.07 | 295/9 | ✓ | ✓ | ✓ | ✓ | | | | | | 2KJ3501 - ■■■■■■ - ■■ W1 |
| 28.11 | 52 | 110 | 4 130 | 11.2 | 0.09 | 253/9 | ✓ | ✓ | ✓ | ✓ | | | | | | 2KJ3501 - ■■■■■■ - ■■ V1 |
| 25.56 | 57 | 110 | 4 130 | 11.2 | 0.11 | 230/9 | ✓ | ✓ | ✓ | ✓ | | | | | | 2KJ3501 - ■■■■■■ - ■■ U1 |
| 22.41 | 65 | 110 | 4 130 | 11.4 | 0.13 | 605/27 | ✓ | ✓ | ✓ | ✓ | ✓ | | | | | 2KJ3501 - ■■■■■■ - ■■ T1 |
| 20.00 | 72 | 110 | 4 130 | 11.4 | 0.16 | 20/1 | ✓ | ✓ | ✓ | ✓ | ✓ | | | | | 2KJ3501 - ■■■■■■ - ■■ S1 |
| 17.82 | 81 | 110 | 4 130 | 11.5 | 0.19 | 1925/108 | ✓ | ✓ | ✓ | ✓ | ✓ | | | | | 2KJ3501 - ■■■■■■ - ■■ R1 |
| 16.45 | 88 | 110 | 4 130 | 11.5 | 0.23 | 1925/117 | ✓ | ✓ | ✓ | ✓ | ✓ | | | | | 2KJ3501 - ■■■■■■ - ■■ Q1 |
| 14.40 | 101 | 110 | 4 020 | 11.7 | 0.28 | 605/42 | ✓ | ✓ | ✓ | ✓ | ✓ | | | | | 2KJ3501 - ■■■■■■ - ■■ P1 |
| 12.63 | 115 | 110 | 3 800 | 12.0 | 0.27 | 341/27 | ✓ | ✓ | ✓ | ✓ | ✓ | | | | | 2KJ3501 - ■■■■■■ - ■■ N1 |
| 11.46 | 127 | 110 | 3 650 | 12.1 | 0.38 | 275/24 | ✓ | ✓ | ✓ | ✓ | ✓ | | | | | 2KJ3501 - ■■■■■■ - ■■ M1 |
| 10.78 | 135 | 110 | 3 560 | 12.1 | 0.44 | 550/51 | ✓ | ✓ | ✓ | ✓ | ✓ | | | | | 2KJ3501 - ■■■■■■ - ■■ L1 |
| 9.51 | 152 | 110 | 3 370 | 11.8 | 0.50 | 770/81 | ✓ | ✓ | ✓ | ✓ | ✓ | | | | | 2KJ3501 - ■■■■■■ - ■■ K1 |
| 8.25 | 176 | 110 | 3 160 | 12.0 | 0.67 | 33/4 | ✓ | ✓ | ✓ | ✓ | ✓ | | | | | 2KJ3501 - ■■■■■■ - ■■ J1 |
| 7.84 | 185 | 75 | 3 350 | 16.5 | 0.41 | 345/44 | ✓ | ✓ | ✓ | ✓ | ✓ | | | | | 2KJ3501 - ■■■■■■ - ■■ H1 |
| 7.38 | 196 | 75 | 3 260 | 16.5 | 0.48 | 1380/187 | ✓ | ✓ | ✓ | ✓ | ✓ | | | | | 2KJ3501 - ■■■■■■ - ■■ G1 |
| 6.51 | 223 | 75 | 3 100 | 16.1 | 0.54 | 644/99 | ✓ | ✓ | ✓ | ✓ | ✓ | | | | | 2KJ3501 - ■■■■■■ - ■■ F1 |
| 5.65 | 257 | 75 | 2 920 | 16.3 | 0.73 | 621/110 | ✓ | ✓ | ✓ | ✓ | ✓ | | | | | 2KJ3501 - ■■■■■■ - ■■ E1 |
| 5.07 | 286 | 74 | 2 900 | 18.9 | 0.60 | 345/68 | ✓ | ✓ | ✓ | ✓ | ✓ | | | | | 2KJ3501 - ■■■■■■ - ■■ D1 |
| 4.78 | 303 | 74 | 2 830 | 18.9 | 0.70 | 1380/289 | ✓ | ✓ | ✓ | ✓ | ✓ | | | | | 2KJ3501 - ■■■■■■ - ■■ C1 |
| 4.21 | 344 | 74 | 2 680 | 18.2 | 0.82 | 644/153 | ✓ | ✓ | ✓ | ✓ | ✓ | | | | | 2KJ3501 - ■■■■■■ - ■■ B1 |
| 3.65 | 397 | 73 | 2 550 | 18.6 | 1.10 | 621/170 | ✓ | ✓ | ✓ | ✓ | ✓ | | | | | 2KJ3501 - ■■■■■■ - ■■ A1 |

¹⁾ Only in conjunction with reduced-backlash version

Selection and ordering data (continued)

| i | n_2 rpm | T_{2N} Nm | F_{R2} N | $\varphi^{1)}$ | J_G 10^{-4} kgm ² | R_{ex} - | Motor frame size | | | | | | | | Article No. | | |
|--------------|--------------|----------------|---------------|----------------|--|---------------|------------------|----|----|----|-----|-----|-----|-----|-------------|-----|--------------------------|
| | | | | | | | 63 | 71 | 80 | 90 | 100 | 112 | 132 | 160 | | 180 | 200 |
| B.39 | | | | | | | | | | | | | | | | | |
| 56.36 | 26 | 250 | 6 980 | 8.5 | 0.06 | 4565/81 | ✓ | ✓ | | | | | | | | | 2KJ3502 - ■■■■■■ - ■■ A2 |
| 50.11 | 29 | 210 | 6 980 | 8.8 | 0.08 | 451/9 | ✓ | ✓ | ✓ | ✓ | | | | | | | 2KJ3502 - ■■■■■■ - ■■ X1 |
| 44.00 | 33 | 250 | 6 980 | 8.9 | 0.09 | 44/1 | ✓ | ✓ | ✓ | ✓ | | | | | | | 2KJ3502 - ■■■■■■ - ■■ W1 |
| 40.00 | 36 | 230 | 6 980 | 8.9 | 0.11 | 40/1 | ✓ | ✓ | ✓ | ✓ | | | | | | | 2KJ3502 - ■■■■■■ - ■■ V1 |
| 34.22 | 42 | 250 | 6 980 | 8.9 | 0.13 | 308/9 | ✓ | ✓ | ✓ | ✓ | | | | | | | 2KJ3502 - ■■■■■■ - ■■ U1 |
| 31.11 | 47 | 250 | 6 980 | 8.9 | 0.16 | 280/9 | ✓ | ✓ | ✓ | ✓ | | | | | | | 2KJ3502 - ■■■■■■ - ■■ T1 |
| 27.50 | 53 | 250 | 6 980 | 9.0 | 0.20 | 55/2 | ✓ | ✓ | ✓ | ✓ | ✓ | ✓ | | | | | 2KJ3502 - ■■■■■■ - ■■ S1 |
| 25.00 | 58 | 250 | 6 980 | 9.0 | 0.26 | 25/1 | ✓ | ✓ | ✓ | ✓ | ✓ | ✓ | | | | | 2KJ3502 - ■■■■■■ - ■■ R1 |
| 21.90 | 66 | 250 | 6 720 | 9.2 | 0.30 | 2365/108 | ✓ | ✓ | ✓ | ✓ | ✓ | ✓ | | | | | 2KJ3502 - ■■■■■■ - ■■ Q1 |
| 20.21 | 72 | 250 | 6 490 | 9.2 | 0.36 | 2365/117 | ✓ | ✓ | ✓ | ✓ | ✓ | ✓ | | | | | 2KJ3502 - ■■■■■■ - ■■ P1 |
| 17.90 | 81 | 250 | 6 160 | 9.3 | 0.43 | 2255/126 | ✓ | ✓ | ✓ | ✓ | ✓ | ✓ | | | | | 2KJ3502 - ■■■■■■ - ■■ N1 |
| 14.90 | 97 | 250 | 5 680 | 9.5 | 0.58 | 715/48 | ✓ | ✓ | ✓ | ✓ | ✓ | ✓ | | | | | 2KJ3502 - ■■■■■■ - ■■ M1 |
| 14.02 | 103 | 250 | 5 520 | 9.5 | 0.67 | 715/51 | ✓ | ✓ | ✓ | ✓ | ✓ | ✓ | | | | | 2KJ3502 - ■■■■■■ - ■■ L1 |
| 12.56 | 115 | 250 | 5 260 | 9.6 | 0.75 | 2035/162 | ✓ | ✓ | ✓ | ✓ | ✓ | ✓ | | | | | 2KJ3502 - ■■■■■■ - ■■ K1 |
| 10.69 | 136 | 240 | 4 960 | 9.8 | 0.98 | 385/36 | ✓ | ✓ | ✓ | ✓ | ✓ | ✓ | | | | | 2KJ3502 - ■■■■■■ - ■■ J1 |
| 9.17 | 158 | 230 | 4 690 | 10.1 | 1.29 | 55/6 | | | ✓ | ✓ | ✓ | ✓ | | | | | 2KJ3502 - ■■■■■■ - ■■ H1 |
| 7.89 | 184 | 220 | 4 550 | 10.3 | 1.66 | 1705/216 | | | ✓ | ✓ | ✓ | ✓ | | | | | 2KJ3502 - ■■■■■■ - ■■ G1 |
| 6.60 | 220 | 200 | 4 590 | 15.1 | 0.94 | 897/136 | ✓ | ✓ | ✓ | ✓ | ✓ | ✓ | | | | | 2KJ3502 - ■■■■■■ - ■■ F1 |
| 6.21 | 233 | 200 | 4 550 | 15.1 | 1.08 | 1794/289 | ✓ | ✓ | ✓ | ✓ | ✓ | ✓ | | | | | 2KJ3502 - ■■■■■■ - ■■ E1 |
| 5.56 | 261 | 200 | 4 460 | 15.5 | 1.26 | 851/153 | ✓ | ✓ | ✓ | ✓ | ✓ | ✓ | | | | | 2KJ3502 - ■■■■■■ - ■■ D1 |
| 4.74 | 306 | 200 | 4 330 | 16.0 | 1.69 | 161/34 | ✓ | ✓ | ✓ | ✓ | ✓ | ✓ | | | | | 2KJ3502 - ■■■■■■ - ■■ C1 |
| 4.06 | 357 | 200 | 4 190 | 16.5 | 2.30 | 69/17 | | | ✓ | ✓ | ✓ | ✓ | | | | | 2KJ3502 - ■■■■■■ - ■■ B1 |
| 3.50 | 414 | 192 | 4 050 | 17.1 | 3.00 | 713/204 | | | ✓ | ✓ | ✓ | ✓ | | | | | 2KJ3502 - ■■■■■■ - ■■ A1 |

¹⁾ Only in conjunction with reduced-backlash version

SIMOGEAR geared motors

Bevel geared motors

Transmission ratios and torques

Selection and ordering data (continued)

| i | n_2 rpm | T_{2N} Nm | F_{R2} N | $\varphi^{1)}$ | J_G 10^{-4} kgm ² | R_{ex} - | Motor frame size | | | | | | | | | | Article No. |
|--------------|--------------|----------------|---------------|----------------|--|---------------|------------------|----|----|----|-----|-----|-----|-----|-----|-----|--------------------------|
| | | | | | | | 63 | 71 | 80 | 90 | 100 | 112 | 132 | 160 | 180 | 200 | |
| B.49 | | | | | | | | | | | | | | | | | |
| 59.28 | 24 | 450 | 9 510 | 8.3 | 0.19 | 1067/18 | ✓ | ✓ | ✓ | ✓ | | | | | | | 2KJ3503 - ■■■■■■ - ■■ C2 |
| 53.89 | 27 | 450 | 9 120 | 8.3 | 0.23 | 485/9 | ✓ | ✓ | ✓ | ✓ | | | | | | | 2KJ3503 - ■■■■■■ - ■■ B2 |
| 45.83 | 32 | 450 | 8 480 | 8.3 | 0.28 | 275/6 | ✓ | ✓ | ✓ | ✓ | | | | | | | 2KJ3503 - ■■■■■■ - ■■ A2 |
| 41.67 | 35 | 450 | 8 120 | 8.3 | 0.34 | 125/3 | ✓ | ✓ | ✓ | ✓ | | | | | | | 2KJ3503 - ■■■■■■ - ■■ X1 |
| 37.18 | 39 | 450 | 7 710 | 8.4 | 0.40 | 4015/108 | ✓ | ✓ | ✓ | ✓ | ✓ | ✓ | | | | | 2KJ3503 - ■■■■■■ - ■■ W1 |
| 33.33 | 44 | 450 | 7 320 | 8.4 | 0.48 | 100/3 | ✓ | ✓ | ✓ | ✓ | ✓ | ✓ | | | | | 2KJ3503 - ■■■■■■ - ■■ V1 |
| 30.05 | 48 | 450 | 6 970 | 8.4 | 0.56 | 3245/108 | ✓ | ✓ | ✓ | ✓ | ✓ | ✓ | | | | | 2KJ3503 - ■■■■■■ - ■■ U1 |
| 27.74 | 52 | 450 | 6 710 | 8.4 | 0.67 | 3245/117 | ✓ | ✓ | ✓ | ✓ | ✓ | ✓ | | | | | 2KJ3503 - ■■■■■■ - ■■ T1 |
| 25.32 | 57 | 450 | 6 420 | 8.5 | 0.80 | 1595/63 | ✓ | ✓ | ✓ | ✓ | ✓ | ✓ | ✓ | | | | 2KJ3503 - ■■■■■■ - ■■ S1 |
| 21.01 | 69 | 450 | 5 850 | 8.6 | 1.03 | 3025/144 | ✓ | ✓ | ✓ | ✓ | ✓ | ✓ | ✓ | | | | 2KJ3503 - ■■■■■■ - ■■ R1 |
| 19.77 | 73 | 450 | 5 670 | 8.6 | 1.18 | 3025/153 | ✓ | ✓ | ✓ | ✓ | ✓ | ✓ | ✓ | | | | 2KJ3503 - ■■■■■■ - ■■ Q1 |
| 18.67 | 78 | 450 | 5 510 | 8.6 | 1.34 | 3025/162 | ✓ | ✓ | ✓ | ✓ | ✓ | ✓ | ✓ | | | | 2KJ3503 - ■■■■■■ - ■■ P1 |
| 15.89 | 91 | 450 | 5 060 | 8.7 | 1.66 | 143/9 | ✓ | ✓ | ✓ | ✓ | ✓ | ✓ | ✓ | | | | 2KJ3503 - ■■■■■■ - ■■ N1 |
| 13.61 | 107 | 450 | 4 660 | 8.9 | 2.10 | 245/18 | | | ✓ | ✓ | ✓ | ✓ | ✓ | | | | 2KJ3503 - ■■■■■■ - ■■ M1 |
| 11.97 | 121 | 450 | 4 340 | 9.0 | 2.50 | 2585/216 | | | ✓ | ✓ | ✓ | ✓ | ✓ | | | | 2KJ3503 - ■■■■■■ - ■■ L1 |
| 10.10 | 144 | 450 | 3 930 | 9.2 | 3.30 | 2090/207 | | | ✓ | ✓ | ✓ | ✓ | ✓ | | | | 2KJ3503 - ■■■■■■ - ■■ K1 |
| 8.80 | 165 | 450 | 3 620 | 9.7 | 4.40 | 44/5 | | | ✓ | ✓ | ✓ | ✓ | ✓ | | | | 2KJ3503 - ■■■■■■ - ■■ J1 |
| 8.29 | 175 | 330 | 4 540 | 14.1 | 1.52 | 2255/272 | ✓ | ✓ | ✓ | ✓ | ✓ | ✓ | ✓ | | | | 2KJ3503 - ■■■■■■ - ■■ H1 |
| 7.80 | 186 | 330 | 4 410 | 14.1 | 1.74 | 2255/289 | ✓ | ✓ | ✓ | ✓ | ✓ | ✓ | ✓ | | | | 2KJ3503 - ■■■■■■ - ■■ G1 |
| 7.37 | 197 | 330 | 4 290 | 14.1 | 1.97 | 2255/306 | ✓ | ✓ | ✓ | ✓ | ✓ | ✓ | ✓ | | | | 2KJ3503 - ■■■■■■ - ■■ F1 |
| 6.27 | 231 | 330 | 3 970 | 14.4 | 2.50 | 533/85 | ✓ | ✓ | ✓ | ✓ | ✓ | ✓ | ✓ | | | | 2KJ3503 - ■■■■■■ - ■■ E1 |
| 5.37 | 270 | 330 | 3 700 | 14.8 | 3.30 | 2009/374 | | | ✓ | ✓ | ✓ | ✓ | ✓ | | | | 2KJ3503 - ■■■■■■ - ■■ D1 |
| 4.72 | 307 | 330 | 3 690 | 15.1 | 4.10 | 1927/408 | | | ✓ | ✓ | ✓ | ✓ | ✓ | | | | 2KJ3503 - ■■■■■■ - ■■ C1 |
| 3.98 | 364 | 330 | 3 660 | 15.6 | 5.40 | 1558/391 | | | ✓ | ✓ | ✓ | ✓ | ✓ | | | | 2KJ3503 - ■■■■■■ - ■■ B1 |
| 3.47 | 418 | 325 | 3 610 | 17.0 | 7.20 | 1476/425 | | | ✓ | ✓ | ✓ | ✓ | ✓ | | | | 2KJ3503 - ■■■■■■ - ■■ A1 |

¹⁾ Only in conjunction with reduced-backlash version

Selection and ordering data (continued)

| i | n ₂ rpm | T _{2N} Nm | F _{R2} N | φ ¹⁾ | J _G 10 ⁻⁴ kgm ² | R _{ex} - | Motor frame size | | | | | | | | | | Article No. |
|-------------|-----------------------|-----------------------|----------------------|-----------------|--|----------------------|------------------|----|----|----|-----|-----|-----|-----|-----|-----|--------------------------|
| | | | | | | | 63 | 71 | 80 | 90 | 100 | 112 | 132 | 160 | 180 | 200 | |
| K.39 | | | | | | | | | | | | | | | | | |
| 157.32 | 9.2 | 220 | 6 080 | 7.3 | 0.04 | 3933/25 | ✓ | ✓ | | | | | | | | | 2KJ3504 - ■■■■■■ - ■■ J2 |
| 139.54 | 10 | 220 | 6 080 | 7.4 | 0.05 | 17442/125 | ✓ | ✓ | ✓ | ✓ | | | | | | | 2KJ3504 - ■■■■■■ - ■■ H2 |
| 121.07 | 12 | 220 | 6 080 | 7.4 | 0.06 | 30267/250 | ✓ | ✓ | ✓ | ✓ | | | | | | | 2KJ3504 - ■■■■■■ - ■■ G2 |
| 110.06 | 13 | 220 | 6 080 | 7.4 | 0.07 | 30267/275 | ✓ | ✓ | ✓ | ✓ | | | | | | | 2KJ3504 - ■■■■■■ - ■■ F2 |
| 94.39 | 15 | 220 | 6 080 | 7.4 | 0.09 | 11799/125 | ✓ | ✓ | ✓ | ✓ | | | | | | | 2KJ3504 - ■■■■■■ - ■■ E2 |
| 85.81 | 17 | 220 | 6 080 | 7.4 | 0.11 | 23598/275 | ✓ | ✓ | ✓ | ✓ | | | | | | | 2KJ3504 - ■■■■■■ - ■■ D2 |
| 75.24 | 19 | 220 | 6 080 | 7.5 | 0.12 | 1881/25 | ✓ | ✓ | ✓ | ✓ | ✓ | ✓ | | | | | 2KJ3504 - ■■■■■■ - ■■ C2 |
| 67.16 | 22 | 220 | 6 080 | 7.5 | 0.15 | 18468/275 | ✓ | ✓ | ✓ | ✓ | ✓ | ✓ | | | | | 2KJ3504 - ■■■■■■ - ■■ B2 |
| 59.85 | 24 | 220 | 6 080 | 7.5 | 0.18 | 1197/20 | ✓ | ✓ | ✓ | ✓ | ✓ | ✓ | | | | | 2KJ3504 - ■■■■■■ - ■■ A2 |
| 55.25 | 26 | 220 | 6 080 | 7.5 | 0.22 | 3591/65 | ✓ | ✓ | ✓ | ✓ | ✓ | ✓ | | | | | 2KJ3504 - ■■■■■■ - ■■ X1 |
| 48.37 | 30 | 220 | 6 080 | 7.6 | 0.26 | 16929/350 | ✓ | ✓ | ✓ | ✓ | ✓ | ✓ | | | | | 2KJ3504 - ■■■■■■ - ■■ W1 |
| 42.41 | 34 | 220 | 5 790 | 7.7 | 0.24 | 5301/125 | ✓ | ✓ | ✓ | ✓ | ✓ | ✓ | | | | | 2KJ3504 - ■■■■■■ - ■■ V1 |
| 38.47 | 38 | 220 | 5 540 | 7.7 | 0.34 | 1539/40 | ✓ | ✓ | ✓ | ✓ | ✓ | ✓ | | | | | 2KJ3504 - ■■■■■■ - ■■ U1 |
| 36.21 | 40 | 220 | 5 390 | 7.7 | 0.40 | 3078/85 | ✓ | ✓ | ✓ | ✓ | ✓ | ✓ | | | | | 2KJ3504 - ■■■■■■ - ■■ T1 |
| 31.92 | 45 | 220 | 5 080 | 7.6 | 0.44 | 798/25 | ✓ | ✓ | ✓ | ✓ | ✓ | ✓ | | | | | 2KJ3504 - ■■■■■■ - ■■ S1 |
| 27.70 | 52 | 220 | 4 760 | 7.7 | 0.60 | 13851/500 | ✓ | ✓ | ✓ | ✓ | ✓ | ✓ | | | | | 2KJ3504 - ■■■■■■ - ■■ R1 |
| 26.89 | 54 | 220 | 4 690 | 9.2 | 0.26 | 6804/253 | ✓ | ✓ | ✓ | ✓ | ✓ | ✓ | | | | | 2KJ3504 - ■■■■■■ - ■■ Q1 |
| 23.97 | 60 | 220 | 4 440 | 9.3 | 0.32 | 2205/92 | ✓ | ✓ | ✓ | ✓ | ✓ | ✓ | | | | | 2KJ3504 - ■■■■■■ - ■■ P1 |
| 22.12 | 66 | 220 | 4 270 | 9.3 | 0.38 | 6615/299 | ✓ | ✓ | ✓ | ✓ | ✓ | ✓ | | | | | 2KJ3504 - ■■■■■■ - ■■ N1 |
| 19.37 | 75 | 220 | 4 000 | 9.4 | 0.47 | 891/46 | ✓ | ✓ | ✓ | ✓ | ✓ | ✓ | | | | | 2KJ3504 - ■■■■■■ - ■■ M1 |
| 16.98 | 85 | 220 | 3 740 | 9.6 | 0.51 | 1953/115 | ✓ | ✓ | ✓ | ✓ | ✓ | ✓ | | | | | 2KJ3504 - ■■■■■■ - ■■ L1 |
| 15.41 | 94 | 220 | 3 560 | 9.7 | 0.67 | 2835/184 | ✓ | ✓ | ✓ | ✓ | ✓ | ✓ | | | | | 2KJ3504 - ■■■■■■ - ■■ K1 |
| 14.50 | 100 | 220 | 3 450 | 9.7 | 0.78 | 5670/391 | ✓ | ✓ | ✓ | ✓ | ✓ | ✓ | | | | | 2KJ3504 - ■■■■■■ - ■■ J1 |
| 12.78 | 113 | 220 | 3 220 | 9.7 | 0.92 | 294/23 | ✓ | ✓ | ✓ | ✓ | ✓ | ✓ | | | | | 2KJ3504 - ■■■■■■ - ■■ H1 |
| 11.09 | 131 | 220 | 2 990 | 9.8 | 1.24 | 5103/460 | ✓ | ✓ | ✓ | ✓ | ✓ | ✓ | | | | | 2KJ3504 - ■■■■■■ - ■■ G1 |
| 10.04 | 144 | 184 | 2 880 | 14.7 | 0.55 | 231/23 | ✓ | ✓ | ✓ | ✓ | ✓ | ✓ | | | | | 2KJ3504 - ■■■■■■ - ■■ F1 |
| 8.81 | 165 | 183 | 2 790 | 15.1 | 0.62 | 3038/345 | ✓ | ✓ | ✓ | ✓ | ✓ | ✓ | | | | | 2KJ3504 - ■■■■■■ - ■■ E1 |
| 7.99 | 181 | 175 | 2 810 | 15.3 | 0.80 | 735/92 | ✓ | ✓ | ✓ | ✓ | ✓ | ✓ | | | | | 2KJ3504 - ■■■■■■ - ■■ D1 |
| 7.52 | 193 | 171 | 2 810 | 15.3 | 0.92 | 2940/391 | ✓ | ✓ | ✓ | ✓ | ✓ | ✓ | | | | | 2KJ3504 - ■■■■■■ - ■■ C1 |
| 6.63 | 219 | 161 | 2 820 | 15.3 | 1.11 | 1372/207 | ✓ | ✓ | ✓ | ✓ | ✓ | ✓ | | | | | 2KJ3504 - ■■■■■■ - ■■ B1 |
| 5.75 | 252 | 150 | 2 810 | 15.4 | 1.49 | 1323/230 | ✓ | ✓ | ✓ | ✓ | ✓ | ✓ | | | | | 2KJ3504 - ■■■■■■ - ■■ A1 |

1) Only in conjunction with reduced-backlash version

SIMOGEAR geared motors

Bevel geared motors

Transmission ratios and torques

Selection and ordering data (continued)

| i | n_2 rpm | T_{2N} Nm | F_{R2} N | $\varphi^{1)}$ | J_G 10^{-4} kgm ² | R_{ex} - | Motor frame size | | | | | | | | | | Article No. |
|---------------|--------------|----------------|---------------|----------------|--|---------------|------------------|----|----|----|-----|-----|-----|-----|-----|-----|--------------------------|
| | | | | | | | 63 | 71 | 80 | 90 | 100 | 112 | 132 | 160 | 180 | 200 | |
| K.49 | | | | | | | | | | | | | | | | | |
| 200.25 | 7.2 | 420 | 7 820 | 6.7 | 0.06 | 12616/63 | ✓ | ✓ | | | | | | | | | 2KJ3505 - ■■■■■■ - ■■ J2 |
| 178.06 | 8.1 | 420 | 7 820 | 6.8 | 0.07 | 6232/35 | ✓ | ✓ | ✓ | ✓ | | | | | | | 2KJ3505 - ■■■■■■ - ■■ H2 |
| 156.34 | 9.3 | 420 | 7 820 | 6.8 | 0.08 | 5472/35 | ✓ | ✓ | ✓ | ✓ | | | | | | | 2KJ3505 - ■■■■■■ - ■■ G2 |
| 142.13 | 10 | 420 | 7 820 | 6.8 | 0.10 | 10944/77 | ✓ | ✓ | ✓ | ✓ | | | | | | | 2KJ3505 - ■■■■■■ - ■■ F2 |
| 121.60 | 12 | 420 | 7 820 | 6.8 | 0.12 | 608/5 | ✓ | ✓ | ✓ | ✓ | | | | | | | 2KJ3505 - ■■■■■■ - ■■ E2 |
| 110.55 | 13 | 420 | 7 820 | 6.8 | 0.14 | 1216/11 | ✓ | ✓ | ✓ | ✓ | | | | | | | 2KJ3505 - ■■■■■■ - ■■ D2 |
| 97.71 | 15 | 420 | 7 710 | 6.8 | 0.17 | 684/7 | ✓ | ✓ | ✓ | ✓ | ✓ | ✓ | | | | | 2KJ3505 - ■■■■■■ - ■■ C2 |
| 88.83 | 16 | 420 | 7 370 | 6.8 | 0.22 | 6840/77 | ✓ | ✓ | ✓ | ✓ | ✓ | ✓ | | | | | 2KJ3505 - ■■■■■■ - ■■ B2 |
| 77.81 | 19 | 420 | 6 910 | 6.9 | 0.25 | 1634/21 | ✓ | ✓ | ✓ | ✓ | ✓ | ✓ | | | | | 2KJ3505 - ■■■■■■ - ■■ A2 |
| 71.82 | 20 | 420 | 6 640 | 6.9 | 0.30 | 6536/91 | ✓ | ✓ | ✓ | ✓ | ✓ | ✓ | | | | | 2KJ3505 - ■■■■■■ - ■■ X1 |
| 63.59 | 23 | 420 | 6 250 | 6.9 | 0.37 | 3116/49 | ✓ | ✓ | ✓ | ✓ | ✓ | ✓ | ✓ | | | | 2KJ3505 - ■■■■■■ - ■■ W1 |
| 52.93 | 27 | 420 | 5 680 | 7.0 | 0.50 | 741/14 | ✓ | ✓ | ✓ | ✓ | ✓ | ✓ | ✓ | | | | 2KJ3505 - ■■■■■■ - ■■ V1 |
| 49.82 | 29 | 420 | 5 500 | 7.0 | 0.58 | 5928/119 | ✓ | ✓ | ✓ | ✓ | ✓ | ✓ | ✓ | | | | 2KJ3505 - ■■■■■■ - ■■ U1 |
| 44.63 | 32 | 420 | 5 190 | 7.0 | 0.65 | 2812/63 | ✓ | ✓ | ✓ | ✓ | ✓ | ✓ | ✓ | | | | 2KJ3505 - ■■■■■■ - ■■ T1 |
| 38.00 | 38 | 420 | 4 740 | 7.1 | 0.84 | 38/1 | ✓ | ✓ | ✓ | ✓ | ✓ | ✓ | ✓ | | | | 2KJ3505 - ■■■■■■ - ■■ S1 |
| 32.57 | 45 | 420 | 4 340 | 7.1 | 1.11 | 228/7 | | | ✓ | ✓ | ✓ | ✓ | ✓ | | | | 2KJ3505 - ■■■■■■ - ■■ R1 |
| 28.05 | 52 | 420 | 3 970 | 7.2 | 1.43 | 589/21 | | | ✓ | ✓ | ✓ | ✓ | ✓ | | | | 2KJ3505 - ■■■■■■ - ■■ Q1 |
| 26.30 | 55 | 420 | 3 820 | 8.6 | 0.52 | 55040/2093 | ✓ | ✓ | ✓ | ✓ | ✓ | ✓ | ✓ | | | | 2KJ3505 - ■■■■■■ - ■■ P1 |
| 23.28 | 62 | 420 | 3 540 | 8.7 | 0.65 | 26240/1127 | ✓ | ✓ | ✓ | ✓ | ✓ | ✓ | ✓ | | | | 2KJ3505 - ■■■■■■ - ■■ N1 |
| 19.38 | 75 | 420 | 3 130 | 8.8 | 0.90 | 3120/161 | ✓ | ✓ | ✓ | ✓ | ✓ | ✓ | ✓ | | | | 2KJ3505 - ■■■■■■ - ■■ M1 |
| 18.24 | 79 | 420 | 3 000 | 8.8 | 1.03 | 49920/2737 | ✓ | ✓ | ✓ | ✓ | ✓ | ✓ | ✓ | | | | 2KJ3505 - ■■■■■■ - ■■ L1 |
| 16.34 | 89 | 420 | 2 780 | 9.0 | 1.21 | 23680/1449 | ✓ | ✓ | ✓ | ✓ | ✓ | ✓ | ✓ | | | | 2KJ3505 - ■■■■■■ - ■■ K1 |
| 13.91 | 104 | 420 | 2 880 | 9.1 | 1.62 | 320/23 | ✓ | ✓ | ✓ | ✓ | ✓ | ✓ | ✓ | | | | 2KJ3505 - ■■■■■■ - ■■ J1 |
| 11.93 | 122 | 420 | 3 000 | 9.3 | 2.20 | 1920/161 | | | ✓ | ✓ | ✓ | ✓ | ✓ | | | | 2KJ3505 - ■■■■■■ - ■■ H1 |
| 10.27 | 141 | 415 | 3 080 | 9.5 | 2.90 | 4960/483 | | | ✓ | ✓ | ✓ | ✓ | ✓ | | | | 2KJ3505 - ■■■■■■ - ■■ G1 |
| 9.75 | 149 | 275 | 2 960 | 14.2 | 1.03 | 39/4 | ✓ | ✓ | ✓ | ✓ | ✓ | ✓ | ✓ | | | | 2KJ3505 - ■■■■■■ - ■■ F1 |
| 9.18 | 158 | 270 | 2 980 | 14.2 | 1.19 | 156/17 | ✓ | ✓ | ✓ | ✓ | ✓ | ✓ | ✓ | | | | 2KJ3505 - ■■■■■■ - ■■ E1 |
| 8.22 | 176 | 255 | 3 010 | 14.5 | 1.40 | 74/9 | ✓ | ✓ | ✓ | ✓ | ✓ | ✓ | ✓ | | | | 2KJ3505 - ■■■■■■ - ■■ D1 |
| 7.00 | 207 | 240 | 3 030 | 14.8 | 1.88 | 7/1 | ✓ | ✓ | ✓ | ✓ | ✓ | ✓ | ✓ | | | | 2KJ3505 - ■■■■■■ - ■■ C1 |
| 6.00 | 242 | 225 | 3 020 | 15.2 | 2.50 | 6/1 | | | ✓ | ✓ | ✓ | ✓ | ✓ | | | | 2KJ3505 - ■■■■■■ - ■■ B1 |
| 5.17 | 280 | 210 | 2 990 | 15.4 | 3.30 | 31/6 | | | ✓ | ✓ | ✓ | ✓ | ✓ | | | | 2KJ3505 - ■■■■■■ - ■■ A1 |

¹⁾ Only in conjunction with reduced-backlash version

Selection and ordering data (continued)

| i | n_2 rpm | T_{2N} Nm | F_{R2} N | $\varphi^{1)}$ | J_G 10^{-4} kgm ² | R_{ex} - | Motor frame size | | | | | | | | | | Article No. |
|---------------|--------------|----------------|---------------|----------------|--|---------------|------------------|----|----|----|-----|-----|-----|-----|-----|-----|--------------------------|
| | | | | | | | 63 | 71 | 80 | 90 | 100 | 112 | 132 | 160 | 180 | 200 | |
| K.69 | | | | | | | | | | | | | | | | | |
| 196.59 | 7.4 | 600 | 10 800 | 6.4 | 0.17 | 14744/75 | ✓ | ✓ | ✓ | ✓ | | | | | | | 2KJ3507 - ■■■■■■ - ■■ H2 |
| 178.72 | 8.1 | 600 | 10 800 | 6.4 | 0.20 | 29488/165 | ✓ | ✓ | ✓ | ✓ | | | | | | | 2KJ3507 - ■■■■■■ - ■■ G2 |
| 152.00 | 9.5 | 600 | 10 800 | 6.4 | 0.25 | 152/1 | ✓ | ✓ | ✓ | ✓ | | | | | | | 2KJ3507 - ■■■■■■ - ■■ F2 |
| 138.18 | 10 | 600 | 10 800 | 6.4 | 0.30 | 1520/11 | ✓ | ✓ | ✓ | ✓ | | | | | | | 2KJ3507 - ■■■■■■ - ■■ E2 |
| 123.29 | 12 | 600 | 10 800 | 6.4 | 0.35 | 5548/45 | ✓ | ✓ | ✓ | ✓ | ✓ | | | | | | 2KJ3507 - ■■■■■■ - ■■ D2 |
| 110.55 | 13 | 600 | 10 800 | 6.4 | 0.42 | 1216/11 | ✓ | ✓ | ✓ | ✓ | ✓ | | | | | | 2KJ3507 - ■■■■■■ - ■■ C2 |
| 99.64 | 15 | 600 | 10 800 | 6.4 | 0.49 | 4484/45 | ✓ | ✓ | ✓ | ✓ | ✓ | | | | | | 2KJ3507 - ■■■■■■ - ■■ B2 |
| 91.98 | 16 | 600 | 10 600 | 6.4 | 0.58 | 17936/195 | ✓ | ✓ | ✓ | ✓ | ✓ | | | | | | 2KJ3507 - ■■■■■■ - ■■ A2 |
| 83.96 | 17 | 600 | 10 100 | 6.4 | 0.69 | 8816/105 | ✓ | ✓ | ✓ | ✓ | ✓ | ✓ | | | | | 2KJ3507 - ■■■■■■ - ■■ X1 |
| 69.67 | 21 | 600 | 9 300 | 6.5 | 0.87 | 209/3 | ✓ | ✓ | ✓ | ✓ | ✓ | ✓ | ✓ | | | | 2KJ3507 - ■■■■■■ - ■■ W1 |
| 65.57 | 22 | 600 | 9 030 | 6.5 | 1.01 | 3344/51 | ✓ | ✓ | ✓ | ✓ | ✓ | ✓ | ✓ | | | | 2KJ3507 - ■■■■■■ - ■■ V1 |
| 61.93 | 23 | 600 | 8 770 | 6.5 | 1.15 | 1672/27 | ✓ | ✓ | ✓ | ✓ | ✓ | ✓ | ✓ | | | | 2KJ3507 - ■■■■■■ - ■■ U1 |
| 52.69 | 28 | 600 | 8 090 | 6.5 | 1.40 | 3952/75 | ✓ | ✓ | ✓ | ✓ | ✓ | ✓ | ✓ | | | | 2KJ3507 - ■■■■■■ - ■■ T1 |
| 45.14 | 32 | 600 | 7 470 | 6.5 | 1.70 | 7448/165 | | | ✓ | ✓ | ✓ | ✓ | ✓ | | | | 2KJ3507 - ■■■■■■ - ■■ S1 |
| 39.69 | 37 | 600 | 6 980 | 6.5 | 2.10 | 1786/45 | | | ✓ | ✓ | ✓ | ✓ | ✓ | | | | 2KJ3507 - ■■■■■■ - ■■ R1 |
| 33.48 | 43 | 580 | 6 500 | 6.5 | 2.60 | 11552/345 | | | ✓ | ✓ | ✓ | ✓ | ✓ | | | | 2KJ3507 - ■■■■■■ - ■■ Q1 |
| 29.18 | 50 | 555 | 6 200 | 6.5 | 3.50 | 3648/125 | | | ✓ | ✓ | ✓ | ✓ | ✓ | | | | 2KJ3507 - ■■■■■■ - ■■ P1 |
| 26.05 | 56 | 600 | 5 500 | 7.8 | 1.25 | 3751/144 | ✓ | ✓ | ✓ | ✓ | ✓ | ✓ | ✓ | | | | 2KJ3507 - ■■■■■■ - ■■ N1 |
| 24.52 | 59 | 595 | 5 340 | 7.8 | 1.44 | 3751/153 | ✓ | ✓ | ✓ | ✓ | ✓ | ✓ | ✓ | | | | 2KJ3507 - ■■■■■■ - ■■ M1 |
| 23.15 | 63 | 585 | 5 230 | 7.8 | 1.63 | 3751/162 | ✓ | ✓ | ✓ | ✓ | ✓ | ✓ | ✓ | | | | 2KJ3507 - ■■■■■■ - ■■ L1 |
| 19.70 | 74 | 555 | 4 950 | 8.0 | 2.10 | 4433/225 | ✓ | ✓ | ✓ | ✓ | ✓ | ✓ | ✓ | | | | 2KJ3507 - ■■■■■■ - ■■ K1 |
| 16.88 | 86 | 530 | 4 680 | 8.0 | 2.60 | 1519/90 | | | ✓ | ✓ | ✓ | ✓ | ✓ | | | | 2KJ3507 - ■■■■■■ - ■■ J1 |
| 14.84 | 98 | 515 | 4 430 | 8.0 | 3.30 | 16027/1080 | | | ✓ | ✓ | ✓ | ✓ | ✓ | | | | 2KJ3507 - ■■■■■■ - ■■ H1 |
| 12.52 | 116 | 490 | 4 170 | 8.0 | 4.30 | 12958/1035 | | | ✓ | ✓ | ✓ | ✓ | ✓ | | | | 2KJ3507 - ■■■■■■ - ■■ G1 |
| 10.91 | 133 | 470 | 3 960 | 8.0 | 5.70 | 1364/125 | | | ✓ | ✓ | ✓ | ✓ | ✓ | | | | 2KJ3507 - ■■■■■■ - ■■ F1 |
| 9.34 | 155 | 370 | 3 640 | 13.0 | 2.40 | 3224/345 | ✓ | ✓ | ✓ | ✓ | ✓ | ✓ | ✓ | | | | 2KJ3507 - ■■■■■■ - ■■ E1 |
| 8.01 | 181 | 365 | 3 330 | 13.0 | 3.10 | 6076/759 | | | ✓ | ✓ | ✓ | ✓ | ✓ | | | | 2KJ3507 - ■■■■■■ - ■■ D1 |
| 7.04 | 206 | 365 | 3 210 | 13.0 | 3.90 | 1457/207 | | | ✓ | ✓ | ✓ | ✓ | ✓ | | | | 2KJ3507 - ■■■■■■ - ■■ C1 |
| 5.94 | 244 | 345 | 3 350 | 13.0 | 5.10 | 9424/1587 | | | ✓ | ✓ | ✓ | ✓ | ✓ | | | | 2KJ3507 - ■■■■■■ - ■■ B1 |
| 5.18 | 280 | 330 | 3 420 | 13.0 | 6.80 | 2976/575 | | | ✓ | ✓ | ✓ | ✓ | ✓ | | | | 2KJ3507 - ■■■■■■ - ■■ A1 |

¹⁾ Only in conjunction with reduced-backlash version

SIMOGEAR geared motors

Bevel geared motors

Transmission ratios and torques

Selection and ordering data (continued)

| i | n_2 rpm | T_{2N} Nm | F_{R2} N | $\varphi^{1)}$ | J_G 10^{-4} kgm ² | R_{ex} - | Motor frame size | | | | | | | | | | Article No. |
|---------------|--------------|----------------|---------------|----------------|--|---------------|------------------|----|----|----|-----|-----|-----|-----|-----|-----|--------------------------|
| | | | | | | | 63 | 71 | 80 | 90 | 100 | 112 | 132 | 160 | 180 | 200 | |
| K.79 | | | | | | | | | | | | | | | | | |
| 244.25 | 5.9 | 820 | 13 900 | 5.7 | 0.17 | 175861/720 | ✓ | ✓ | ✓ | ✓ | | | | | | | 2KJ3508 - ■■■■■■ - ■■ J2 |
| 222.05 | 6.5 | 820 | 13 900 | 5.7 | 0.20 | 175861/792 | ✓ | ✓ | ✓ | ✓ | | | | | | | 2KJ3508 - ■■■■■■ - ■■ H2 |
| 188.85 | 7.7 | 820 | 13 900 | 5.7 | 0.25 | 9065/48 | ✓ | ✓ | ✓ | ✓ | | | | | | | 2KJ3508 - ■■■■■■ - ■■ G2 |
| 171.69 | 8.4 | 820 | 13 900 | 5.7 | 0.31 | 45325/264 | ✓ | ✓ | ✓ | ✓ | | | | | | | 2KJ3508 - ■■■■■■ - ■■ F2 |
| 153.18 | 9.5 | 820 | 13 900 | 5.8 | 0.35 | 132349/864 | ✓ | ✓ | ✓ | ✓ | ✓ | ✓ | | | | | 2KJ3508 - ■■■■■■ - ■■ E2 |
| 137.35 | 11 | 820 | 13 900 | 5.8 | 0.42 | 9065/66 | ✓ | ✓ | ✓ | ✓ | ✓ | ✓ | | | | | 2KJ3508 - ■■■■■■ - ■■ D2 |
| 123.80 | 12 | 820 | 13 900 | 5.8 | 0.50 | 106967/864 | ✓ | ✓ | ✓ | ✓ | ✓ | ✓ | | | | | 2KJ3508 - ■■■■■■ - ■■ C2 |
| 114.28 | 13 | 820 | 13 900 | 5.8 | 0.59 | 106967/936 | ✓ | ✓ | ✓ | ✓ | ✓ | ✓ | | | | | 2KJ3508 - ■■■■■■ - ■■ B2 |
| 104.32 | 14 | 820 | 13 900 | 5.8 | 0.70 | 7511/72 | ✓ | ✓ | ✓ | ✓ | ✓ | ✓ | ✓ | | | | 2KJ3508 - ■■■■■■ - ■■ A2 |
| 86.56 | 17 | 820 | 13 900 | 5.8 | 0.89 | 99715/1152 | ✓ | ✓ | ✓ | ✓ | ✓ | ✓ | ✓ | | | | 2KJ3508 - ■■■■■■ - ■■ X1 |
| 81.47 | 18 | 820 | 13 900 | 5.8 | 1.02 | 99715/1224 | ✓ | ✓ | ✓ | ✓ | ✓ | ✓ | ✓ | | | | 2KJ3508 - ■■■■■■ - ■■ W1 |
| 76.94 | 19 | 820 | 13 900 | 5.8 | 1.16 | 99715/1296 | ✓ | ✓ | ✓ | ✓ | ✓ | ✓ | ✓ | | | | 2KJ3508 - ■■■■■■ - ■■ V1 |
| 65.47 | 22 | 820 | 13 900 | 5.9 | 1.42 | 23569/360 | ✓ | ✓ | ✓ | ✓ | ✓ | ✓ | ✓ | | | | 2KJ3508 - ■■■■■■ - ■■ U1 |
| 56.08 | 26 | 820 | 13 900 | 5.9 | 1.73 | 88837/1584 | | | ✓ | ✓ | ✓ | ✓ | ✓ | | | | 2KJ3508 - ■■■■■■ - ■■ T1 |
| 49.31 | 29 | 820 | 13 900 | 5.9 | 2.10 | 85211/1728 | | | ✓ | ✓ | ✓ | ✓ | ✓ | | | | 2KJ3508 - ■■■■■■ - ■■ S1 |
| 41.60 | 35 | 800 | 14 000 | 6.0 | 2.70 | 34447/828 | | | ✓ | ✓ | ✓ | ✓ | ✓ | | | | 2KJ3508 - ■■■■■■ - ■■ R1 |
| 36.26 | 40 | 770 | 14 000 | 6.1 | 3.60 | 1813/50 | | | ✓ | ✓ | ✓ | ✓ | ✓ | | | | 2KJ3508 - ■■■■■■ - ■■ Q1 |
| 32.78 | 44 | 820 | 13 900 | 7.2 | 0.94 | 6293/192 | ✓ | ✓ | ✓ | ✓ | ✓ | ✓ | ✓ | | | | 2KJ3508 - ■■■■■■ - ■■ P1 |
| 27.20 | 53 | 800 | 14 000 | 7.3 | 1.23 | 83545/3072 | ✓ | ✓ | ✓ | ✓ | ✓ | ✓ | ✓ | | | | 2KJ3508 - ■■■■■■ - ■■ N1 |
| 25.60 | 57 | 785 | 14 000 | 7.3 | 1.41 | 83545/3264 | ✓ | ✓ | ✓ | ✓ | ✓ | ✓ | ✓ | | | | 2KJ3508 - ■■■■■■ - ■■ M1 |
| 24.17 | 60 | 770 | 14 000 | 7.3 | 1.60 | 83545/3456 | ✓ | ✓ | ✓ | ✓ | ✓ | ✓ | ✓ | | | | 2KJ3508 - ■■■■■■ - ■■ L1 |
| 20.57 | 70 | 740 | 14 100 | 7.4 | 2.00 | 19747/960 | ✓ | ✓ | ✓ | ✓ | ✓ | ✓ | ✓ | | | | 2KJ3508 - ■■■■■■ - ■■ K1 |
| 17.62 | 82 | 715 | 13 800 | 7.5 | 2.60 | 74431/4224 | | | ✓ | ✓ | ✓ | ✓ | ✓ | | | | 2KJ3508 - ■■■■■■ - ■■ J1 |
| 15.49 | 94 | 695 | 13 300 | 7.6 | 3.20 | 71393/4608 | | | ✓ | ✓ | ✓ | ✓ | ✓ | | | | 2KJ3508 - ■■■■■■ - ■■ H1 |
| 13.07 | 111 | 665 | 12 600 | 7.8 | 4.20 | 28861/2208 | | | ✓ | ✓ | ✓ | ✓ | ✓ | | | | 2KJ3508 - ■■■■■■ - ■■ G1 |
| 11.39 | 127 | 645 | 12 000 | 8.3 | 5.50 | 4557/400 | | | ✓ | ✓ | ✓ | ✓ | ✓ | | | | 2KJ3508 - ■■■■■■ - ■■ F1 |
| 10.51 | 138 | 445 | 12 600 | 10.4 | 2.30 | 1209/115 | ✓ | ✓ | ✓ | ✓ | ✓ | ✓ | ✓ | | | | 2KJ3508 - ■■■■■■ - ■■ E1 |
| 9.01 | 161 | 450 | 11 900 | 10.6 | 3.00 | 4557/506 | | | ✓ | ✓ | ✓ | ✓ | ✓ | | | | 2KJ3508 - ■■■■■■ - ■■ D1 |
| 7.92 | 183 | 450 | 11 300 | 10.8 | 3.70 | 1457/184 | | | ✓ | ✓ | ✓ | ✓ | ✓ | | | | 2KJ3508 - ■■■■■■ - ■■ C1 |
| 6.68 | 217 | 455 | 10 900 | 11.1 | 4.90 | 3534/529 | | | ✓ | ✓ | ✓ | ✓ | ✓ | | | | 2KJ3508 - ■■■■■■ - ■■ B1 |
| 5.82 | 249 | 430 | 10 700 | 12.1 | 6.60 | 3348/575 | | | ✓ | ✓ | ✓ | ✓ | ✓ | | | | 2KJ3508 - ■■■■■■ - ■■ A1 |

¹⁾ Only in conjunction with reduced-backlash version

Selection and ordering data (continued)

| i | n_2 rpm | T_{2N} Nm | F_{R2} N | $\varphi^{1)}$ | J_G 10^{-4} kgm ² | R_{ex} | Motor frame size | | | | | | | | | | Article No. |
|---------------|--------------|----------------|---------------|----------------|--|-------------|------------------|----|----|----|-----|-----|-----|-----|-----|-----|--------------------------|
| | | | | | | | 63 | 71 | 80 | 90 | 100 | 112 | 132 | 160 | 180 | 200 | |
| K.89 | | | | | | | | | | | | | | | | | |
| 231.80 | 6.3 | 1 600 | 18 100 | 5.6 | 0.42 | 10199/44 | ✓ | ✓ | ✓ | | | | | | | | 2KJ3510 - ■■■■■■ - ■■ K2 |
| 210.72 | 6.9 | 1 600 | 18 100 | 5.6 | 0.51 | 50995/242 | ✓ | ✓ | ✓ | | | | | | | | 2KJ3510 - ■■■■■■ - ■■ J2 |
| 189.01 | 7.7 | 1 600 | 18 100 | 5.6 | 0.71 | 149695/792 | ✓ | ✓ | ✓ | ✓ | ✓ | | | | | | 2KJ3510 - ■■■■■■ - ■■ H2 |
| 169.94 | 8.5 | 1 600 | 18 100 | 5.6 | 0.80 | 41125/242 | ✓ | ✓ | ✓ | ✓ | ✓ | | | | | | 2KJ3510 - ■■■■■■ - ■■ G2 |
| 153.70 | 9.4 | 1 600 | 18 100 | 5.6 | 0.88 | 60865/396 | ✓ | ✓ | ✓ | ✓ | ✓ | | | | | | 2KJ3510 - ■■■■■■ - ■■ F2 |
| 141.88 | 10 | 1 600 | 18 100 | 5.6 | 1.05 | 60865/429 | ✓ | ✓ | ✓ | ✓ | ✓ | | | | | | 2KJ3510 - ■■■■■■ - ■■ E2 |
| 129.96 | 11 | 1 600 | 18 100 | 5.6 | 1.37 | 17155/132 | ✓ | ✓ | ✓ | ✓ | ✓ | ✓ | ✓ | | | | 2KJ3510 - ■■■■■■ - ■■ D2 |
| 109.04 | 13 | 1 600 | 18 100 | 5.6 | 1.45 | 57575/528 | ✓ | ✓ | ✓ | ✓ | ✓ | ✓ | ✓ | | | | 2KJ3510 - ■■■■■■ - ■■ C2 |
| 102.63 | 14 | 1 600 | 18 100 | 5.6 | 1.66 | 57575/561 | ✓ | ✓ | ✓ | ✓ | ✓ | ✓ | ✓ | | | | 2KJ3510 - ■■■■■■ - ■■ B2 |
| 94.16 | 15 | 1 600 | 18 100 | 5.6 | 1.81 | 27965/297 | ✓ | ✓ | ✓ | ✓ | ✓ | ✓ | ✓ | | | | 2KJ3510 - ■■■■■■ - ■■ A2 |
| 82.25 | 18 | 1 600 | 18 100 | 5.6 | 2.60 | 329/4 | ✓ | ✓ | ✓ | ✓ | ✓ | ✓ | ✓ | | | | 2KJ3510 - ■■■■■■ - ■■ X1 |
| 73.64 | 20 | 1 600 | 18 100 | 5.6 | 3.20 | 106925/1452 | | ✓ | ✓ | ✓ | ✓ | ✓ | ✓ | | | | 2KJ3510 - ■■■■■■ - ■■ W1 |
| 64.39 | 23 | 1 600 | 18 100 | 5.6 | 3.70 | 50995/792 | | ✓ | ✓ | ✓ | ✓ | ✓ | ✓ | | | | 2KJ3510 - ■■■■■■ - ■■ V1 |
| 55.27 | 26 | 1 600 | 18 100 | 5.6 | 4.10 | 27965/506 | | ✓ | ✓ | ✓ | ✓ | ✓ | ✓ | | | | 2KJ3510 - ■■■■■■ - ■■ U1 |
| 48.85 | 30 | 1 600 | 18 100 | 5.6 | 5.20 | 16121/330 | | ✓ | ✓ | ✓ | ✓ | ✓ | ✓ | | | | 2KJ3510 - ■■■■■■ - ■■ T1 |
| 41.54 | 35 | 1 570 | 18 100 | 5.6 | 6.60 | 8225/198 | | | | ✓ | ✓ | ✓ | ✓ | | | | 2KJ3510 - ■■■■■■ - ■■ S1 |
| 39.29 | 37 | 1 600 | 18 100 | 7.0 | 1.86 | 11315/288 | ✓ | ✓ | ✓ | ✓ | ✓ | ✓ | ✓ | | | | 2KJ3510 - ■■■■■■ - ■■ R1 |
| 32.96 | 44 | 1 600 | 18 100 | 7.0 | 2.10 | 37975/1152 | ✓ | ✓ | ✓ | ✓ | ✓ | ✓ | ✓ | | | | 2KJ3510 - ■■■■■■ - ■■ Q1 |
| 31.03 | 47 | 1 600 | 18 100 | 7.0 | 2.40 | 37975/1224 | ✓ | ✓ | ✓ | ✓ | ✓ | ✓ | ✓ | | | | 2KJ3510 - ■■■■■■ - ■■ P1 |
| 28.46 | 51 | 1 600 | 18 100 | 7.0 | 2.70 | 18445/648 | ✓ | ✓ | ✓ | ✓ | ✓ | ✓ | ✓ | | | | 2KJ3510 - ■■■■■■ - ■■ N1 |
| 24.86 | 58 | 1 600 | 18 100 | 7.1 | 3.80 | 2387/96 | ✓ | ✓ | ✓ | ✓ | ✓ | ✓ | ✓ | | | | 2KJ3510 - ■■■■■■ - ■■ M1 |
| 22.26 | 65 | 1 600 | 18 100 | 7.1 | 4.70 | 70525/3168 | | ✓ | ✓ | ✓ | ✓ | ✓ | ✓ | | | | 2KJ3510 - ■■■■■■ - ■■ L1 |
| 19.46 | 75 | 1 560 | 17 900 | 7.1 | 5.70 | 33635/1728 | | ✓ | ✓ | ✓ | ✓ | ✓ | ✓ | | | | 2KJ3510 - ■■■■■■ - ■■ K1 |
| 16.71 | 87 | 1 480 | 17 200 | 7.1 | 6.80 | 18445/1104 | | ✓ | ✓ | ✓ | ✓ | ✓ | ✓ | | | | 2KJ3510 - ■■■■■■ - ■■ J1 |
| 14.77 | 98 | 1 420 | 16 600 | 7.1 | 8.60 | 10633/720 | | ✓ | ✓ | ✓ | ✓ | ✓ | ✓ | | | | 2KJ3510 - ■■■■■■ - ■■ H1 |
| 12.56 | 115 | 1 330 | 16 300 | 7.1 | 11.00 | 5425/432 | | | | ✓ | ✓ | ✓ | ✓ | | | | 2KJ3510 - ■■■■■■ - ■■ G1 |
| 10.76 | 135 | 1 250 | 16 100 | 7.1 | 15.00 | 775/72 | | | | ✓ | ✓ | ✓ | ✓ | | | | 2KJ3510 - ■■■■■■ - ■■ F1 |
| 10.51 | 138 | 845 | 16 100 | 10.8 | 6.40 | 6727/640 | | ✓ | ✓ | ✓ | ✓ | ✓ | ✓ | | | | 2KJ3510 - ■■■■■■ - ■■ E1 |
| 9.02 | 161 | 800 | 15 400 | 10.8 | 7.70 | 33201/3680 | | ✓ | ✓ | ✓ | ✓ | ✓ | ✓ | | | | 2KJ3510 - ■■■■■■ - ■■ D1 |
| 7.97 | 182 | 770 | 14 800 | 10.8 | 9.80 | 31899/4000 | | ✓ | ✓ | ✓ | ✓ | ✓ | ✓ | | | | 2KJ3510 - ■■■■■■ - ■■ C1 |
| 6.78 | 214 | 720 | 14 500 | 10.8 | 13.00 | 217/32 | | | | ✓ | ✓ | ✓ | ✓ | | | | 2KJ3510 - ■■■■■■ - ■■ B1 |
| 5.81 | 250 | 675 | 14 200 | 10.8 | 17.00 | 93/16 | | | | ✓ | ✓ | ✓ | ✓ | | | | 2KJ3510 - ■■■■■■ - ■■ A1 |

¹⁾ Only in conjunction with reduced-backlash version

SIMOGEAR geared motors

Bevel geared motors

Transmission ratios and torques

Selection and ordering data (continued)

| i | n_2 rpm | T_{2N} Nm | F_{R2} N | $\varphi^{1)}$ | J_G 10 ⁻⁴ kgm ² | R_{ex} - | Motor frame size | | | | | | | | | | Article No. |
|---------------|--------------|----------------|---------------|----------------|---|---------------|------------------|----|----|----|-----|-----|-----|-----|-----|-----|--------------------------|
| | | | | | | | 63 | 71 | 80 | 90 | 100 | 112 | 132 | 160 | 180 | 200 | |
| K.109 | | | | | | | | | | | | | | | | | |
| 216.65 | 6.7 | 2 900 | 24 500 | 5.6 | 1.27 | 107242/495 | | ✓ | ✓ | ✓ | ✓ | | | | | | 2KJ3511 - ■■■■■■ - ■■ H2 |
| 195.60 | 7.4 | 2 900 | 24 500 | 5.6 | 1.37 | 118336/605 | | ✓ | ✓ | ✓ | ✓ | | | | | | 2KJ3511 - ■■■■■■ - ■■ G2 |
| 177.43 | 8.2 | 2 900 | 24 500 | 5.6 | 1.61 | 35131/198 | | ✓ | ✓ | ✓ | ✓ | | | | | | 2KJ3511 - ■■■■■■ - ■■ F2 |
| 163.78 | 8.9 | 2 900 | 24 500 | 5.6 | 1.9 | 70262/429 | | ✓ | ✓ | ✓ | ✓ | | | | | | 2KJ3511 - ■■■■■■ - ■■ E2 |
| 148.88 | 9.7 | 2 900 | 24 500 | 5.6 | 2.2 | 57319/385 | | ✓ | ✓ | ✓ | ✓ | ✓ | ✓ | | | | 2KJ3511 - ■■■■■■ - ■■ D2 |
| 126.07 | 12 | 2 900 | 24 500 | 5.6 | 2.6 | 5547/44 | | ✓ | ✓ | ✓ | ✓ | ✓ | ✓ | | | | 2KJ3511 - ■■■■■■ - ■■ C2 |
| 118.65 | 12 | 2 900 | 24 500 | 5.6 | 2.6 | 22188/187 | | ✓ | ✓ | ✓ | ✓ | ✓ | ✓ | | | | 2KJ3511 - ■■■■■■ - ■■ B2 |
| 109.57 | 13 | 2 900 | 24 500 | 5.6 | 4.1 | 14792/135 | | ✓ | ✓ | ✓ | ✓ | ✓ | ✓ | | | | 2KJ3511 - ■■■■■■ - ■■ A2 |
| 97.49 | 15 | 2 900 | 24 500 | 5.6 | 5.0 | 53621/550 | | ✓ | ✓ | ✓ | ✓ | ✓ | ✓ | | | | 2KJ3511 - ■■■■■■ - ■■ X1 |
| 86.59 | 17 | 2 900 | 24 500 | 5.7 | 6.0 | 31433/363 | | ✓ | ✓ | ✓ | ✓ | ✓ | ✓ | | | | 2KJ3511 - ■■■■■■ - ■■ W1 |
| 77.51 | 19 | 2 900 | 24 500 | 5.7 | 5.9 | 153467/1980 | | ✓ | ✓ | ✓ | ✓ | ✓ | ✓ | | | | 2KJ3511 - ■■■■■■ - ■■ V1 |
| 66.26 | 22 | 2 900 | 24 500 | 5.7 | 6.8 | 251464/3795 | | ✓ | ✓ | ✓ | ✓ | ✓ | ✓ | | | | 2KJ3511 - ■■■■■■ - ■■ U1 |
| 59.17 | 25 | 2 900 | 24 500 | 5.8 | 8.6 | 7396/125 | | ✓ | ✓ | ✓ | ✓ | ✓ | ✓ | ✓ | | | 2KJ3511 - ■■■■■■ - ■■ T1 |
| 52.29 | 28 | 2 900 | 24 500 | 5.8 | 9.7 | 25886/495 | | | | ✓ | ✓ | ✓ | ✓ | ✓ | | | 2KJ3511 - ■■■■■■ - ■■ S1 |
| 45.89 | 32 | 2 900 | 24 500 | 5.8 | 14 | 159014/3465 | | | | ✓ | ✓ | ✓ | ✓ | ✓ | | | 2KJ3511 - ■■■■■■ - ■■ R1 |
| 39.95 | 36 | 2 820 | 23 900 | 5.8 | 17 | 151618/3795 | | | | ✓ | ✓ | ✓ | ✓ | ✓ | | | 2KJ3511 - ■■■■■■ - ■■ Q1 |
| 34.15 | 42 | 2 710 | 22 700 | 5.8 | 21 | 118336/3465 | | | | ✓ | ✓ | ✓ | ✓ | ✓ | | | 2KJ3511 - ■■■■■■ - ■■ P1 |
| 29.23 | 50 | 2 620 | 21 500 | 5.8 | 27 | 7396/253 | | | | ✓ | ✓ | ✓ | ✓ | ✓ | | | 2KJ3511 - ■■■■■■ - ■■ N1 |
| 24.98 | 58 | 2 380 | 21 000 | 6.9 | 9.9 | 163744/6555 | | ✓ | ✓ | ✓ | ✓ | ✓ | ✓ | | | | 2KJ3511 - ■■■■■■ - ■■ M1 |
| 22.31 | 65 | 2 380 | 20 000 | 7.1 | 13 | 52976/2375 | | ✓ | ✓ | ✓ | ✓ | ✓ | ✓ | ✓ | | | 2KJ3511 - ■■■■■■ - ■■ L1 |
| 19.71 | 74 | 2 380 | 18 900 | 7.1 | 15 | 16856/855 | | | | ✓ | ✓ | ✓ | ✓ | ✓ | | | 2KJ3511 - ■■■■■■ - ■■ K1 |
| 17.30 | 84 | 2 400 | 17 800 | 7.1 | 20 | 14792/855 | | | | ✓ | ✓ | ✓ | ✓ | ✓ | | | 2KJ3511 - ■■■■■■ - ■■ J1 |
| 15.06 | 96 | 2 310 | 17 500 | 7.1 | 25 | 98728/6555 | | | | ✓ | ✓ | ✓ | ✓ | ✓ | | | 2KJ3511 - ■■■■■■ - ■■ H1 |
| 12.87 | 113 | 2 200 | 17 500 | 7.1 | 33 | 11008/855 | | | | ✓ | ✓ | ✓ | ✓ | ✓ | | | 2KJ3511 - ■■■■■■ - ■■ G1 |
| 11.02 | 132 | 2 100 | 17 400 | 7.2 | 43 | 4816/437 | | | | ✓ | ✓ | ✓ | ✓ | ✓ | | | 2KJ3511 - ■■■■■■ - ■■ F1 |
| 10.45 | 139 | 1 260 | 17 600 | 10.8 | 17 | 784/75 | | | | ✓ | ✓ | ✓ | ✓ | ✓ | | | 2KJ3511 - ■■■■■■ - ■■ E1 |
| 9.17 | 158 | 1 270 | 16 700 | 10.8 | 23 | 688/75 | | | | ✓ | ✓ | ✓ | ✓ | ✓ | | | 2KJ3511 - ■■■■■■ - ■■ D1 |
| 7.99 | 181 | 1 280 | 16 300 | 10.8 | 29 | 4592/575 | | | | ✓ | ✓ | ✓ | ✓ | ✓ | | | 2KJ3511 - ■■■■■■ - ■■ C1 |
| 6.83 | 212 | 1 300 | 16 000 | 10.8 | 38 | 512/75 | | | | ✓ | ✓ | ✓ | ✓ | ✓ | | | 2KJ3511 - ■■■■■■ - ■■ B1 |
| 5.84 | 248 | 1 300 | 15 700 | 11.0 | 49 | 672/115 | | | | ✓ | ✓ | ✓ | ✓ | ✓ | | | 2KJ3511 - ■■■■■■ - ■■ A1 |

¹⁾ Only in conjunction with reduced-backlash version

Selection and ordering data (continued)

| i | n_2 rpm | T_{2N} Nm | F_{R2} N | $\varphi^{1)}$ | J_G 10^{-4} kgm ² | R_{ex} - | Motor frame size | | | | | | | | | | Article No. |
|---------------|--------------|----------------|---------------|----------------|--|---------------|------------------|----|----|----|-----|-----|-----|-----|-----|-----|--------------------------|
| | | | | | | | 63 | 71 | 80 | 90 | 100 | 112 | 132 | 160 | 180 | 200 | |
| K.129 | | | | | | | | | | | | | | | | | |
| 228.30 | 6.4 | 4 400 | 37 600 | 6.3 | 3.3 | 30821/135 | | | | ✓ | ✓ | ✓ | | | | | 2KJ3512 - ■■■■■■ - ■■ J2 |
| 210.74 | 6.9 | 4 400 | 37 600 | 6.3 | 3.9 | 123284/585 | | | | ✓ | ✓ | ✓ | | | | | 2KJ3512 - ■■■■■■ - ■■ H2 |
| 194.04 | 7.5 | 4 400 | 37 600 | 6.3 | 4.5 | 8732/45 | | | | ✓ | ✓ | ✓ | ✓ | ✓ | | | 2KJ3512 - ■■■■■■ - ■■ G2 |
| 165.47 | 8.8 | 4 400 | 37 600 | 6.3 | 5.6 | 5957/36 | | | | ✓ | ✓ | ✓ | ✓ | ✓ | | | 2KJ3512 - ■■■■■■ - ■■ F2 |
| 155.74 | 9.3 | 4 400 | 37 600 | 6.3 | 6.4 | 23828/153 | | | | ✓ | ✓ | ✓ | ✓ | ✓ | | | 2KJ3512 - ■■■■■■ - ■■ E2 |
| 144.53 | 10 | 4 400 | 37 600 | 6.3 | 7.0 | 58534/405 | | | | ✓ | ✓ | ✓ | ✓ | ✓ | | | 2KJ3512 - ■■■■■■ - ■■ D2 |
| 127.77 | 11 | 4 400 | 37 600 | 6.3 | 8.4 | 9583/75 | | | | ✓ | ✓ | ✓ | ✓ | ✓ | | | 2KJ3512 - ■■■■■■ - ■■ C2 |
| 114.06 | 13 | 4 400 | 37 600 | 6.3 | 10 | 56462/495 | | | | ✓ | ✓ | ✓ | ✓ | ✓ | | | 2KJ3512 - ■■■■■■ - ■■ B2 |
| 102.64 | 14 | 4 400 | 37 600 | 6.3 | 12 | 27713/270 | | | | ✓ | ✓ | ✓ | ✓ | ✓ | | | 2KJ3512 - ■■■■■■ - ■■ A2 |
| 89.09 | 16 | 4 400 | 37 600 | 6.3 | 14 | 92204/1035 | | | | ✓ | ✓ | ✓ | ✓ | ✓ | | | 2KJ3512 - ■■■■■■ - ■■ X1 |
| 80.12 | 18 | 4 400 | 37 600 | 6.3 | 17 | 30044/375 | | | | ✓ | ✓ | ✓ | ✓ | ✓ | ✓ | | 2KJ3512 - ■■■■■■ - ■■ W1 |
| 70.03 | 21 | 4 400 | 37 600 | 6.3 | 19 | 18907/270 | | | | ✓ | ✓ | ✓ | ✓ | ✓ | ✓ | | 2KJ3512 - ■■■■■■ - ■■ V1 |
| 62.49 | 23 | 4 400 | 36 200 | 6.4 | 23 | 2812/45 | | | | ✓ | ✓ | ✓ | ✓ | ✓ | ✓ | ✓ | 2KJ3512 - ■■■■■■ - ■■ U1 |
| 55.05 | 26 | 4 400 | 34 300 | 6.4 | 27 | 11396/207 | | | | ✓ | ✓ | ✓ | ✓ | ✓ | ✓ | ✓ | 2KJ3512 - ■■■■■■ - ■■ T1 |
| 48.24 | 30 | 4 400 | 32 400 | 6.4 | 33 | 6512/135 | | | | ✓ | ✓ | ✓ | ✓ | ✓ | ✓ | ✓ | 2KJ3512 - ■■■■■■ - ■■ S1 |
| 42.04 | 34 | 4 400 | 30 500 | 6.4 | 39 | 14504/345 | | | | ✓ | ✓ | ✓ | ✓ | ✓ | ✓ | ✓ | 2KJ3512 - ■■■■■■ - ■■ R1 |
| 38.37 | 38 | 4 400 | 29 200 | 6.9 | 45 | 1036/27 | | | | ✓ | ✓ | ✓ | ✓ | ✓ | ✓ | ✓ | 2KJ3512 - ■■■■■■ - ■■ Q1 |
| 33.03 | 44 | 4 400 | 27 300 | 7.0 | 55 | 11396/345 | | | | | ✓ | ✓ | ✓ | ✓ | ✓ | ✓ | 2KJ3512 - ■■■■■■ - ■■ P1 |
| 31.55 | 46 | 4 400 | 26 700 | 7.0 | 23 | 3944/125 | | | | ✓ | ✓ | ✓ | ✓ | ✓ | ✓ | | 2KJ3512 - ■■■■■■ - ■■ N1 |
| 27.58 | 53 | 4 400 | 25 000 | 7.0 | 27 | 1241/45 | | | | ✓ | ✓ | ✓ | ✓ | ✓ | ✓ | | 2KJ3512 - ■■■■■■ - ■■ M1 |
| 24.61 | 59 | 4 400 | 23 700 | 7.1 | 33 | 2584/105 | | | | ✓ | ✓ | ✓ | ✓ | ✓ | ✓ | ✓ | 2KJ3512 - ■■■■■■ - ■■ L1 |
| 21.68 | 67 | 4 270 | 22 700 | 7.1 | 40 | 1496/69 | | | | ✓ | ✓ | ✓ | ✓ | ✓ | ✓ | ✓ | 2KJ3512 - ■■■■■■ - ■■ K1 |
| 19.00 | 76 | 4 140 | 21 700 | 7.1 | 50 | 5984/315 | | | | ✓ | ✓ | ✓ | ✓ | ✓ | ✓ | ✓ | 2KJ3512 - ■■■■■■ - ■■ J1 |
| 16.56 | 88 | 4 020 | 20 600 | 7.2 | 62 | 1904/115 | | | | ✓ | ✓ | ✓ | ✓ | ✓ | ✓ | ✓ | 2KJ3512 - ■■■■■■ - ■■ H1 |
| 15.11 | 96 | 3 940 | 20 000 | 7.2 | 72 | 136/9 | | | | ✓ | ✓ | ✓ | ✓ | ✓ | ✓ | ✓ | 2KJ3512 - ■■■■■■ - ■■ G1 |
| 13.01 | 111 | 3 810 | 19 000 | 7.2 | 91 | 1496/115 | | | | | ✓ | ✓ | ✓ | ✓ | ✓ | ✓ | 2KJ3512 - ■■■■■■ - ■■ F1 |
| 11.80 | 123 | 2 830 | 21 400 | 9.5 | 46 | 119680/10143 | | | | ✓ | ✓ | ✓ | ✓ | ✓ | ✓ | ✓ | 2KJ3512 - ■■■■■■ - ■■ E1 |
| 10.34 | 140 | 2 850 | 20 100 | 9.6 | 57 | 95744/9261 | | | | ✓ | ✓ | ✓ | ✓ | ✓ | ✓ | ✓ | 2KJ3512 - ■■■■■■ - ■■ D1 |
| 9.01 | 161 | 2 760 | 19 500 | 9.7 | 71 | 4352/483 | | | | ✓ | ✓ | ✓ | ✓ | ✓ | ✓ | ✓ | 2KJ3512 - ■■■■■■ - ■■ C1 |
| 8.22 | 176 | 2 680 | 19 500 | 9.8 | 83 | 10880/1323 | | | | ✓ | ✓ | ✓ | ✓ | ✓ | ✓ | ✓ | 2KJ3512 - ■■■■■■ - ■■ B1 |
| 7.08 | 205 | 2 530 | 19 500 | 9.9 | 107 | 23936/3381 | | | | | ✓ | ✓ | ✓ | ✓ | ✓ | ✓ | 2KJ3512 - ■■■■■■ - ■■ A1 |

1) Only in conjunction with reduced-backlash version

SIMOGEAR geared motors

Bevel geared motors

Transmission ratios and torques

Selection and ordering data (continued)

| i | n ₂ rpm | T _{2N} Nm | F _{R2} N | φ ¹⁾ | J _G 10 ⁻⁴ kgm ² | R _{ex} - | Motor frame size | | | | | | | | | | Article No. |
|---------------|-----------------------|-----------------------|----------------------|-----------------|--|----------------------|------------------|----|----|----|-----|-----|-----|-----|-----|--------------------------|-------------|
| | | | | | | | 63 | 71 | 80 | 90 | 100 | 112 | 132 | 160 | 180 | 200 | |
| K.149 | | | | | | | | | | | | | | | | | |
| 237.03 | 6.1 | 8 000 | 65 000 | 5.3 | 7.1 | 83433/352 | | | ✓ | ✓ | ✓ | ✓ | ✓ | | | 2KJ3513 - ■■■■■■ - ■■ J2 | |
| 202.86 | 7.1 | 8 000 | 65 000 | 5.3 | 9.0 | 285621/1408 | | | ✓ | ✓ | ✓ | ✓ | ✓ | | | 2KJ3513 - ■■■■■■ - ■■ H2 | |
| 190.92 | 7.6 | 8 000 | 65 000 | 5.3 | 10 | 285621/1496 | | | ✓ | ✓ | ✓ | ✓ | ✓ | | | 2KJ3513 - ■■■■■■ - ■■ G2 | |
| 178.97 | 8.1 | 8 000 | 65 000 | 5.3 | 11 | 188993/1056 | | | ✓ | ✓ | ✓ | ✓ | ✓ | | | 2KJ3513 - ■■■■■■ - ■■ F2 | |
| 158.65 | 9.1 | 8 000 | 65 000 | 5.3 | 14 | 558453/3520 | | | ✓ | ✓ | ✓ | ✓ | ✓ | | | 2KJ3513 - ■■■■■■ - ■■ E2 | |
| 140.93 | 10 | 8 000 | 64 100 | 5.3 | 16 | 17052/121 | | | ✓ | ✓ | ✓ | ✓ | ✓ | | | 2KJ3513 - ■■■■■■ - ■■ D2 | |
| 127.16 | 11 | 8 000 | 61 400 | 5.3 | 19 | 89523/704 | | | ✓ | ✓ | ✓ | ✓ | ✓ | | | 2KJ3513 - ■■■■■■ - ■■ C2 | |
| 112.68 | 13 | 8 000 | 58 400 | 5.3 | 23 | 456141/4048 | | | ✓ | ✓ | ✓ | ✓ | ✓ | | | 2KJ3513 - ■■■■■■ - ■■ B2 | |
| 99.79 | 15 | 8 000 | 55 600 | 5.4 | 26 | 439089/4400 | | | ✓ | ✓ | ✓ | ✓ | ✓ | ✓ | | 2KJ3513 - ■■■■■■ - ■■ A2 | |
| 88.81 | 16 | 8 000 | 52 900 | 5.4 | 31 | 1421/16 | | | | ✓ | ✓ | ✓ | ✓ | ✓ | ✓ | 2KJ3513 - ■■■■■■ - ■■ X1 | |
| 79.59 | 18 | 8 000 | 50 400 | 5.4 | 37 | 14007/176 | | | | ✓ | ✓ | ✓ | ✓ | ✓ | ✓ | 2KJ3513 - ■■■■■■ - ■■ W1 | |
| 70.56 | 21 | 8 000 | 47 900 | 5.4 | 43 | 285621/4048 | | | | ✓ | ✓ | ✓ | ✓ | ✓ | ✓ | 2KJ3513 - ■■■■■■ - ■■ V1 | |
| 62.28 | 23 | 8 000 | 45 300 | 5.4 | 52 | 5481/88 | | | | ✓ | ✓ | ✓ | ✓ | ✓ | ✓ | 2KJ3513 - ■■■■■■ - ■■ U1 | |
| 54.76 | 26 | 8 000 | 42 700 | 5.4 | 63 | 55419/1012 | | | | ✓ | ✓ | ✓ | ✓ | ✓ | ✓ | 2KJ3513 - ■■■■■■ - ■■ T1 | |
| 49.60 | 29 | 8 000 | 40 800 | 5.4 | 70 | 8729/176 | | | | ✓ | ✓ | ✓ | ✓ | ✓ | ✓ | 2KJ3513 - ■■■■■■ - ■■ S1 | |
| 43.18 | 34 | 8 000 | 38 200 | 5.4 | 85 | 174783/4048 | | | | | ✓ | ✓ | ✓ | ✓ | ✓ | 2KJ3513 - ■■■■■■ - ■■ R1 | |
| 35.40 | 41 | 7 850 | 35 100 | 5.5 | 110 | 80997/2288 | | | | | ✓ | ✓ | ✓ | ✓ | ✓ | 2KJ3513 - ■■■■■■ - ■■ Q1 | |
| 32.33 | 45 | 7 760 | 33 900 | 6.1 | 49 | 12673/392 | | | | ✓ | ✓ | ✓ | ✓ | ✓ | ✓ | 2KJ3513 - ■■■■■■ - ■■ P1 | |
| 28.66 | 51 | 7 630 | 32 200 | 6.1 | 59 | 36917/1288 | | | | ✓ | ✓ | ✓ | ✓ | ✓ | ✓ | 2KJ3513 - ■■■■■■ - ■■ N1 | |
| 25.30 | 57 | 7 420 | 30 900 | 6.1 | 73 | 4959/196 | | | | ✓ | ✓ | ✓ | ✓ | ✓ | ✓ | 2KJ3513 - ■■■■■■ - ■■ M1 | |
| 22.25 | 65 | 7 210 | 29 500 | 6.2 | 89 | 7163/322 | | | | ✓ | ✓ | ✓ | ✓ | ✓ | ✓ | 2KJ3513 - ■■■■■■ - ■■ L1 | |
| 20.15 | 72 | 7 070 | 28 400 | 6.2 | 103 | 23693/1176 | | | | ✓ | ✓ | ✓ | ✓ | ✓ | ✓ | 2KJ3513 - ■■■■■■ - ■■ K1 | |
| 17.54 | 83 | 6 890 | 28 500 | 6.3 | 128 | 22591/1288 | | | | | ✓ | ✓ | ✓ | ✓ | ✓ | 2KJ3513 - ■■■■■■ - ■■ J1 | |
| 14.38 | 101 | 6 660 | 29 000 | 6.3 | 174 | 10469/728 | | | | | ✓ | ✓ | ✓ | ✓ | ✓ | 2KJ3513 - ■■■■■■ - ■■ H1 | |
| 14.15 | 102 | 4 140 | 31 100 | 8.0 | 79 | 17328/1225 | | | | ✓ | ✓ | ✓ | ✓ | ✓ | ✓ | 2KJ3513 - ■■■■■■ - ■■ G1 | |
| 12.44 | 117 | 4 030 | 29 800 | 8.0 | 97 | 150176/12075 | | | | ✓ | ✓ | ✓ | ✓ | ✓ | ✓ | 2KJ3513 - ■■■■■■ - ■■ F1 | |
| 11.26 | 129 | 3 950 | 28 800 | 8.1 | 113 | 124184/11025 | | | | ✓ | ✓ | ✓ | ✓ | ✓ | ✓ | 2KJ3513 - ■■■■■■ - ■■ E1 | |
| 9.81 | 148 | 3 850 | 28 400 | 8.2 | 141 | 118408/12075 | | | | | ✓ | ✓ | ✓ | ✓ | ✓ | 2KJ3513 - ■■■■■■ - ■■ D1 | |
| 8.04 | 180 | 3 720 | 28 000 | 8.3 | 194 | 54872/6825 | | | | | ✓ | ✓ | ✓ | ✓ | ✓ | 2KJ3513 - ■■■■■■ - ■■ C1 | |
| 6.82 | 213 | 3 630 | 27 500 | 8.4 | 266 | 89528/13125 | | | | | ✓ | ✓ | ✓ | ✓ | ✓ | 2KJ3513 - ■■■■■■ - ■■ B1 | |

¹⁾ Only in conjunction with reduced-backlash version

SIMOGEAR geared motors

Bevel geared motors

Transmission ratios and torques

Selection and ordering data (continued)

| i | n_2 rpm | T_{2N} Nm | F_{R2} N | $\varphi^{1)}$ | J_G 10^{-4} kgm ² | R_{ex} - | Motor frame size | | | | | | | | | | Article No. |
|---------------|--------------|----------------|---------------|----------------|--|---------------|------------------|----|----|----|-----|-----|-----|-----|-----|-----|--------------------------|
| | | | | | | | 63 | 71 | 80 | 90 | 100 | 112 | 132 | 160 | 180 | 200 | |
| K.169 | | | | | | | | | | | | | | | | | |
| 223.30 | 6.5 | 13 000 | 70 000 | 5.2 | 18 | 273319/1224 | | | | | ✓ | ✓ | ✓ | ✓ | | | 2KJ3514 - ■■■■■■ - ■■ F2 |
| 208.35 | 7.0 | 13 000 | 70 000 | 5.2 | 20 | 135013/648 | | | | | ✓ | ✓ | ✓ | ✓ | | | 2KJ3514 - ■■■■■■ - ■■ E2 |
| 185.23 | 7.8 | 13 000 | 70 000 | 5.2 | 24 | 29637/160 | | | | | ✓ | ✓ | ✓ | ✓ | | | 2KJ3514 - ■■■■■■ - ■■ D2 |
| 166.31 | 8.7 | 13 000 | 70 000 | 5.2 | 28 | 16465/99 | | | | | ✓ | ✓ | ✓ | ✓ | | | 2KJ3514 - ■■■■■■ - ■■ C2 |
| 150.55 | 9.6 | 13 000 | 70 000 | 5.2 | 33 | 260147/1728 | | | | | ✓ | ✓ | ✓ | ✓ | | | 2KJ3514 - ■■■■■■ - ■■ B2 |
| 132.24 | 11 | 13 000 | 70 000 | 5.2 | 40 | 437969/3312 | | | | | ✓ | ✓ | ✓ | ✓ | | | 2KJ3514 - ■■■■■■ - ■■ A2 |
| 119.83 | 12 | 13 000 | 70 000 | 5.2 | 47 | 431383/3600 | | | | | ✓ | ✓ | ✓ | ✓ | ✓ | | 2KJ3514 - ■■■■■■ - ■■ X1 |
| 106.72 | 14 | 13 000 | 70 000 | 5.2 | 54 | 23051/216 | | | | | ✓ | ✓ | ✓ | ✓ | ✓ | | 2KJ3514 - ■■■■■■ - ■■ W1 |
| 95.83 | 15 | 13 000 | 70 000 | 5.2 | 65 | 36223/378 | | | | | ✓ | ✓ | ✓ | ✓ | ✓ | ✓ | 2KJ3514 - ■■■■■■ - ■■ V1 |
| 85.51 | 17 | 13 000 | 70 000 | 5.2 | 75 | 141599/1656 | | | | | ✓ | ✓ | ✓ | ✓ | ✓ | ✓ | 2KJ3514 - ■■■■■■ - ■■ U1 |
| 76.23 | 19 | 13 000 | 70 000 | 5.2 | 88 | 16465/216 | | | | | ✓ | ✓ | ✓ | ✓ | ✓ | ✓ | 2KJ3514 - ■■■■■■ - ■■ T1 |
| 67.61 | 21 | 13 000 | 66 900 | 5.3 | 103 | 55981/828 | | | | | ✓ | ✓ | ✓ | ✓ | ✓ | ✓ | 2KJ3514 - ■■■■■■ - ■■ S1 |
| 62.07 | 23 | 13 000 | 64 500 | 5.3 | 114 | 62567/1008 | | | | | ✓ | ✓ | ✓ | ✓ | ✓ | ✓ | 2KJ3514 - ■■■■■■ - ■■ R1 |
| 54.68 | 27 | 13 000 | 60 900 | 5.3 | 134 | 181115/3312 | | | | | | ✓ | ✓ | ✓ | ✓ | ✓ | 2KJ3514 - ■■■■■■ - ■■ Q1 |
| 44.86 | 32 | 13 000 | 55 700 | 5.3 | 180 | 55981/1248 | | | | | | ✓ | ✓ | ✓ | ✓ | ✓ | 2KJ3514 - ■■■■■■ - ■■ P1 |
| 39.33 | 37 | 13 000 | 52 300 | 5.3 | 198 | 141599/3600 | | | | | | ✓ | ✓ | ✓ | ✓ | ✓ | 2KJ3514 - ■■■■■■ - ■■ N1 |
| 30.75 | 47 | 13 000 | 46 500 | 5.4 | 309 | 42809/1392 | | | | | | ✓ | ✓ | ✓ | ✓ | ✓ | 2KJ3514 - ■■■■■■ - ■■ M1 |
| 29.43 | 49 | 13 000 | 45 500 | 5.8 | 133 | 25721/874 | | | | ✓ | ✓ | ✓ | ✓ | ✓ | ✓ | ✓ | 2KJ3514 - ■■■■■■ - ■■ L1 |
| 27.02 | 54 | 13 000 | 43 500 | 5.9 | 151 | 1513/56 | | | | ✓ | ✓ | ✓ | ✓ | ✓ | ✓ | ✓ | 2KJ3514 - ■■■■■■ - ■■ K1 |
| 23.80 | 61 | 13 000 | 40 800 | 5.9 | 181 | 83215/3496 | | | | | | ✓ | ✓ | ✓ | ✓ | ✓ | 2KJ3514 - ■■■■■■ - ■■ J1 |
| 19.53 | 74 | 12 700 | 40 000 | 6.0 | 249 | 77163/3952 | | | | | | ✓ | ✓ | ✓ | ✓ | ✓ | 2KJ3514 - ■■■■■■ - ■■ H1 |
| 17.12 | 85 | 12 400 | 40 800 | 6.0 | 288 | 65059/3800 | | | | | | ✓ | ✓ | ✓ | ✓ | ✓ | 2KJ3514 - ■■■■■■ - ■■ G1 |
| 13.39 | 108 | 11 900 | 41 300 | 6.2 | 457 | 59007/4408 | | | | | | ✓ | ✓ | ✓ | ✓ | ✓ | 2KJ3514 - ■■■■■■ - ■■ F1 |
| 12.20 | 119 | 6 760 | 38 700 | 8.1 | 202 | 143990/11799 | | | | | | ✓ | ✓ | ✓ | ✓ | ✓ | 2KJ3514 - ■■■■■■ - ■■ E1 |
| 10.01 | 145 | 6 530 | 37 800 | 8.3 | 280 | 22253/2223 | | | | | | ✓ | ✓ | ✓ | ✓ | ✓ | 2KJ3514 - ■■■■■■ - ■■ D1 |
| 8.78 | 165 | 6 360 | 37 800 | 8.3 | 328 | 112574/12825 | | | | | | ✓ | ✓ | ✓ | ✓ | ✓ | 2KJ3514 - ■■■■■■ - ■■ C1 |
| 6.86 | 211 | 6 130 | 37 300 | 8.8 | 523 | 34034/4959 | | | | | | ✓ | ✓ | ✓ | ✓ | ✓ | 2KJ3514 - ■■■■■■ - ■■ B1 |

¹⁾ Only in conjunction with reduced-backlash version

SIMOGEAR geared motors

Bevel geared motors

Transmission ratios and torques

Selection and ordering data (continued)

| i | n_2 rpm | T_{2N} Nm | F_{R2} N | $\varphi^{1)}$ | J_G 10^{-4} kgm ² | R_{ex} - | Motor frame size | | | | | | | | | | Article No. |
|---------------|--------------|----------------|---------------|----------------|--|---------------|------------------|----|----|----|-----|-----|-----|-----|-----|--------------------------|-------------|
| | | | | | | | 63 | 71 | 80 | 90 | 100 | 112 | 132 | 160 | 180 | 200 | |
| K.189 | | | | | | | | | | | | | | | | | |
| 199.51 | 7.3 | 19 100 | 104 000 | 4.8 | 37 | 186543/935 | | | | | ✓ | ✓ | ✓ | | | 2KJ3515 - ■■■■■■ - ■■ W1 | |
| 178.49 | 8.1 | 19 500 | 104 000 | 4.8 | 43 | 367164/2057 | | | | | ✓ | ✓ | ✓ | | | 2KJ3515 - ■■■■■■ - ■■ V1 | |
| 160.98 | 9 | 19 500 | 104 000 | 4.8 | 50 | 60207/374 | | | | | ✓ | ✓ | ✓ | | | 2KJ3515 - ■■■■■■ - ■■ U1 | |
| 142.28 | 10 | 19 500 | 104 000 | 4.8 | 62 | 611940/4301 | | | | | ✓ | ✓ | ✓ | | | 2KJ3515 - ■■■■■■ - ■■ T1 | |
| 130.05 | 11 | 19 500 | 104 000 | 4.8 | 73 | 55272/425 | | | | | ✓ | ✓ | ✓ | ✓ | | 2KJ3515 - ■■■■■■ - ■■ S1 | |
| 117.00 | 12 | 19 500 | 104 000 | 4.8 | 86 | 43757/374 | | | | | ✓ | ✓ | ✓ | ✓ | ✓ | 2KJ3515 - ■■■■■■ - ■■ R1 | |
| 104.56 | 14 | 19 500 | 104 000 | 4.8 | 100 | 19552/187 | | | | | ✓ | ✓ | ✓ | ✓ | ✓ | 2KJ3515 - ■■■■■■ - ■■ Q1 | |
| 94.55 | 15 | 19 500 | 104 000 | 4.8 | 119 | 406644/4301 | | | | | ✓ | ✓ | ✓ | ✓ | ✓ | 2KJ3515 - ■■■■■■ - ■■ P1 | |
| 83.44 | 17 | 19 500 | 104 000 | 4.8 | 140 | 15604/187 | | | | | ✓ | ✓ | ✓ | ✓ | ✓ | 2KJ3515 - ■■■■■■ - ■■ N1 | |
| 74.35 | 20 | 19 500 | 104 000 | 4.8 | 164 | 319788/4301 | | | | | ✓ | ✓ | ✓ | ✓ | ✓ | 2KJ3515 - ■■■■■■ - ■■ M1 | |
| 67.36 | 22 | 19 500 | 104 000 | 4.8 | 182 | 12596/187 | | | | | ✓ | ✓ | ✓ | ✓ | ✓ | 2KJ3515 - ■■■■■■ - ■■ L1 | |
| 60.58 | 24 | 19 500 | 104 000 | 4.8 | 220 | 23688/391 | | | | | | ✓ | ✓ | ✓ | ✓ | 2KJ3515 - ■■■■■■ - ■■ K1 | |
| 50.34 | 29 | 19 500 | 104 000 | 4.8 | 273 | 122388/2431 | | | | | | ✓ | ✓ | ✓ | ✓ | 2KJ3515 - ■■■■■■ - ■■ J1 | |
| 44.76 | 32 | 19 500 | 99 100 | 4.8 | 334 | 209244/4675 | | | | | | ✓ | ✓ | ✓ | ✓ | 2KJ3515 - ■■■■■■ - ■■ H1 | |
| 35.67 | 41 | 19 500 | 89 900 | 4.9 | 455 | 193452/5423 | | | | | | ✓ | ✓ | ✓ | ✓ | 2KJ3515 - ■■■■■■ - ■■ G1 | |
| 28.39 | 51 | 19 500 | 81 300 | 5.0 | 586 | 153972/5423 | | | | | | | ✓ | ✓ | ✓ | 2KJ3515 - ■■■■■■ - ■■ F1 | |
| 25.37 | 57 | 19 500 | 77 300 | 5.3 | 335 | 11088/437 | | | | | | ✓ | ✓ | ✓ | ✓ | 2KJ3515 - ■■■■■■ - ■■ E1 | |
| 21.09 | 69 | 19 500 | 70 900 | 5.4 | 439 | 5208/247 | | | | | | ✓ | ✓ | ✓ | ✓ | 2KJ3515 - ■■■■■■ - ■■ D1 | |
| 18.75 | 77 | 19 500 | 67 000 | 5.4 | 545 | 8904/475 | | | | | | ✓ | ✓ | ✓ | ✓ | 2KJ3515 - ■■■■■■ - ■■ C1 | |
| 14.94 | 97 | 19 500 | 60 000 | 5.6 | 786 | 8232/551 | | | | | | ✓ | ✓ | ✓ | ✓ | 2KJ3515 - ■■■■■■ - ■■ B1 | |
| 11.89 | 122 | 19 500 | 61 300 | 5.7 | 1 109 | 6552/551 | | | | | | | ✓ | ✓ | ✓ | 2KJ3515 - ■■■■■■ - ■■ A1 | |

¹⁾ Only in conjunction with reduced-backlash version

Selection and ordering data

| i | n_2 rpm | T_{2N} Nm | F_{R2} N | φ ¹⁾ | J_G 10^{-4} kgm ² | R_{ex} | Motor frame size | | | | | | | | Article No. |
|-----------------|--------------|----------------|---------------|-------------------------|-------------------------------------|-----------------|------------------|----|----|----|-----|-----|-----|-----|--------------------------|
| | | | | | | | 63 | 71 | 80 | 90 | 100 | 112 | 132 | 160 | |
| K.39-D19 | | | | | | | | | | | | | | | |
| 6 699 | 0.22 | 220 | 6 080 | - | 0.11 | 167640192/25025 | ✓ | ✓ | | | | | | | 2KJ3521 - ■■■■■■ - ■■ H1 |
| 5 949 | 0.24 | 220 | 6 080 | - | 0.13 | 13533453/2275 | ✓ | ✓ | | | | | | | 2KJ3521 - ■■■■■■ - ■■ G1 |
| 5 491 | 0.26 | 220 | 6 080 | - | 0.16 | 162401436/29575 | ✓ | ✓ | | | | | | | 2KJ3521 - ■■■■■■ - ■■ F1 |
| 4 770 | 0.30 | 220 | 6 080 | - | 0.17 | 75961962/15925 | ✓ | ✓ | | | | | | | 2KJ3521 - ■■■■■■ - ■■ E1 |
| 4 145 | 0.35 | 220 | 6 080 | - | 0.18 | 47148804/11375 | ✓ | ✓ | | | | | | | 2KJ3521 - ■■■■■■ - ■■ D1 |
| 3 742 | 0.39 | 220 | 6 080 | - | 0.22 | 1309689/350 | ✓ | ✓ | | | | | | | 2KJ3521 - ■■■■■■ - ■■ C1 |
| 3 522 | 0.41 | 220 | 6 080 | - | 0.26 | 10477512/2975 | ✓ | ✓ | | | | | | | 2KJ3521 - ■■■■■■ - ■■ B1 |
| 3 070 | 0.47 | 220 | 6 080 | - | 0.29 | 6985008/2275 | ✓ | ✓ | | | | | | | 2KJ3521 - ■■■■■■ - ■■ A1 |
| K.39-Z19 | | | | | | | | | | | | | | | |
| 3 001 | 0.48 | 220 | 6 080 | - | 0.02 | 975384/325 | ✓ | ✓ | | | | | | | 2KJ3520 - ■■■■■■ - ■■ E2 |
| 2 657 | 0.55 | 220 | 6 080 | - | 0.03 | 4318434/1625 | ✓ | ✓ | ✓ | | | | | | 2KJ3520 - ■■■■■■ - ■■ D2 |
| 2 309 | 0.63 | 220 | 6 080 | - | 0.04 | 3752082/1625 | ✓ | ✓ | ✓ | | | | | | 2KJ3520 - ■■■■■■ - ■■ C2 |
| 2 099 | 0.69 | 220 | 6 080 | - | 0.05 | 7504164/3575 | ✓ | ✓ | ✓ | | | | | | 2KJ3520 - ■■■■■■ - ■■ B2 |
| 1 786 | 0.81 | 220 | 6 080 | - | 0.07 | 2902554/162 | ✓ | ✓ | ✓ | | | | | | 2KJ3520 - ■■■■■■ - ■■ A2 |
| 1 624 | 0.89 | 220 | 6 080 | - | 0.08 | 5805108/3575 | ✓ | ✓ | ✓ | | | | | | 2KJ3520 - ■■■■■■ - ■■ X1 |
| 1 416 | 1.0 | 220 | 6 080 | - | 0.09 | 35397/25 | ✓ | ✓ | ✓ | | | | | | 2KJ3520 - ■■■■■■ - ■■ W1 |
| 1 267 | 1.1 | 220 | 6 080 | - | 0.12 | 4530816/3575 | ✓ | ✓ | ✓ | | | | | | 2KJ3520 - ■■■■■■ - ■■ V1 |
| 1 125 | 1.3 | 220 | 6 080 | - | 0.15 | 365769/325 | ✓ | ✓ | ✓ | | | | | | 2KJ3520 - ■■■■■■ - ■■ U1 |
| 1 039 | 1.4 | 220 | 6 080 | - | 0.18 | 4389228/4225 | ✓ | ✓ | ✓ | | | | | | 2KJ3520 - ■■■■■■ - ■■ T1 |
| 902 | 1.6 | 220 | 6 080 | - | 0.20 | 2053026/2275 | ✓ | ✓ | ✓ | | | | | | 2KJ3520 - ■■■■■■ - ■■ S1 |
| 784 | 1.8 | 220 | 6 080 | - | 0.21 | 1274292/1625 | ✓ | ✓ | ✓ | | | | | | 2KJ3520 - ■■■■■■ - ■■ R1 |
| 708 | 2.0 | 220 | 6 080 | - | 0.27 | 35397/50 | ✓ | ✓ | ✓ | | | | | | 2KJ3520 - ■■■■■■ - ■■ Q1 |
| 666 | 2.2 | 220 | 6 080 | - | 0.32 | 283176/425 | ✓ | ✓ | ✓ | | | | | | 2KJ3520 - ■■■■■■ - ■■ P1 |
| 581 | 2.5 | 220 | 6 080 | - | 0.36 | 188784/325 | ✓ | ✓ | ✓ | | | | | | 2KJ3520 - ■■■■■■ - ■■ N1 |
| 536 | 2.7 | 220 | 6 080 | - | 0.19 | 243846/455 | ✓ | ✓ | ✓ | | | | | | 2KJ3520 - ■■■■■■ - ■■ M1 |
| 466 | 3.1 | 220 | 6 080 | - | 0.22 | 114057/245 | ✓ | ✓ | ✓ | | | | | | 2KJ3520 - ■■■■■■ - ■■ L1 |
| 405 | 3.6 | 220 | 6 080 | - | 0.23 | 70794/175 | ✓ | ✓ | ✓ | | | | | | 2KJ3520 - ■■■■■■ - ■■ K1 |
| 365 | 4.0 | 220 | 6 080 | - | 0.29 | 51129/140 | ✓ | ✓ | ✓ | | | | | | 2KJ3520 - ■■■■■■ - ■■ J1 |
| 343.72 | 4.2 | 220 | 6 080 | - | 0.35 | 204516/595 | ✓ | ✓ | ✓ | | | | | | 2KJ3520 - ■■■■■■ - ■■ H1 |
| 329.29 | 4.4 | 220 | 6 080 | - | 0.32 | 699732/2125 | ✓ | ✓ | ✓ | | | | | | 2KJ3520 - ■■■■■■ - ■■ G1 |
| 287.07 | 5.1 | 220 | 6 080 | - | 0.37 | 466488/1625 | ✓ | ✓ | ✓ | | | | | | 2KJ3520 - ■■■■■■ - ■■ F1 |
| 264.86 | 5.5 | 220 | 6 080 | - | 0.19 | 602547/2275 | ✓ | ✓ | ✓ | | | | | | 2KJ3520 - ■■■■■■ - ■■ E1 |
| 230.07 | 6.3 | 220 | 6 080 | - | 0.22 | 563673/2450 | ✓ | ✓ | ✓ | | | | | | 2KJ3520 - ■■■■■■ - ■■ D1 |
| 199.92 | 7.3 | 220 | 6 080 | - | 0.23 | 174933/875 | ✓ | ✓ | ✓ | | | | | | 2KJ3520 - ■■■■■■ - ■■ C1 |
| 180.49 | 8.0 | 220 | 6 080 | - | 0.30 | 252681/1400 | ✓ | ✓ | ✓ | | | | | | 2KJ3520 - ■■■■■■ - ■■ B1 |
| 169.87 | 8.5 | 220 | 6 080 | - | 0.35 | 505362/2975 | ✓ | ✓ | ✓ | | | | | | 2KJ3520 - ■■■■■■ - ■■ A1 |

1) Only in conjunction with reduced-backlash version

SIMOGEAR geared motors

Bevel geared motors

Transmission ratios and torques for very low speeds

Selection and ordering data (continued)

| i | n ₂ rpm | T _{2N} Nm | F _{R2} N | φ ¹⁾ | J _G 10 ⁻⁴ kgm ² | R _{ex} | Motor frame size | | | | | | | | Article No. |
|-----------------|-----------------------|-----------------------|----------------------|-----------------|---|-----------------|------------------|----|----|----|-----|-----|-----|-----|--------------------------|
| | | | | | | | 63 | 71 | 80 | 90 | 100 | 112 | 132 | 160 | |
| K.49-D19 | | | | | | | | | | | | | | | |
| 9 641 | 0.15 | 420 | 7 820 | - | 0.08 | 67488/7 | ✓ | ✓ | | | | | | | 2KJ3523 - ■■■■■■ - ■■ J1 |
| 8 630 | 0.17 | 420 | 7 820 | - | 0.11 | 8638464/1001 | ✓ | ✓ | | | | | | | 2KJ3523 - ■■■■■■ - ■■ H1 |
| 7 663 | 0.19 | 420 | 7 820 | - | 0.13 | 697376/91 | ✓ | ✓ | | | | | | | 2KJ3523 - ■■■■■■ - ■■ G1 |
| 7 074 | 0.20 | 420 | 7 820 | - | 0.16 | 8368512/1183 | ✓ | ✓ | | | | | | | 2KJ3523 - ■■■■■■ - ■■ F1 |
| 6 145 | 0.24 | 420 | 7 820 | - | 0.17 | 3914304/637 | ✓ | ✓ | | | | | | | 2KJ3523 - ■■■■■■ - ■■ E1 |
| 5 340 | 0.27 | 420 | 7 820 | - | 0.18 | 2429568/455 | ✓ | ✓ | | | | | | | 2KJ3523 - ■■■■■■ - ■■ D1 |
| 4 821 | 0.30 | 420 | 7 820 | - | 0.22 | 33744/7 | ✓ | ✓ | | | | | | | 2KJ3523 - ■■■■■■ - ■■ C1 |
| 4 537 | 0.32 | 420 | 7 820 | - | 0.26 | 539904/119 | ✓ | ✓ | | | | | | | 2KJ3523 - ■■■■■■ - ■■ B1 |
| 3 955 | 0.37 | 420 | 7 820 | - | 0.29 | 359936/91 | ✓ | ✓ | | | | | | | 2KJ3523 - ■■■■■■ - ■■ A1 |
| K.49-Z19 | | | | | | | | | | | | | | | |
| 3 866 | 0.38 | 420 | 7 820 | - | 0.02 | 150784/39 | ✓ | ✓ | | | | | | | 2KJ3522 - ■■■■■■ - ■■ G2 |
| 3 424 | 0.42 | 420 | 7 820 | - | 0.03 | 222528/65 | ✓ | ✓ | ✓ | | | | | | 2KJ3522 - ■■■■■■ - ■■ F2 |
| 2 975 | 0.49 | 420 | 7 820 | - | 0.04 | 193344/65 | ✓ | ✓ | ✓ | | | | | | 2KJ3522 - ■■■■■■ - ■■ E2 |
| 2 704 | 0.54 | 420 | 7 820 | - | 0.05 | 386688/143 | ✓ | ✓ | ✓ | | | | | | 2KJ3522 - ■■■■■■ - ■■ D2 |
| 2 301 | 0.63 | 420 | 7 820 | - | 0.07 | 149568/65 | ✓ | ✓ | ✓ | | | | | | 2KJ3522 - ■■■■■■ - ■■ C2 |
| 2 092 | 0.69 | 420 | 7 820 | - | 0.08 | 299136/143 | ✓ | ✓ | ✓ | | | | | | 2KJ3522 - ■■■■■■ - ■■ B2 |
| 1 824 | 0.79 | 420 | 7 820 | - | 0.09 | 1824/1 | ✓ | ✓ | ✓ | | | | | | 2KJ3522 - ■■■■■■ - ■■ A2 |
| 1 633 | 0.89 | 420 | 7 820 | - | 0.12 | 233472/143 | ✓ | ✓ | ✓ | | | | | | 2KJ3522 - ■■■■■■ - ■■ W1 |
| 1 450 | 1.0 | 420 | 7 820 | - | 0.15 | 18848/13 | ✓ | ✓ | ✓ | | | | | | 2KJ3522 - ■■■■■■ - ■■ V1 |
| 1 338 | 1.1 | 420 | 7 820 | - | 0.18 | 226176/169 | ✓ | ✓ | ✓ | | | | | | 2KJ3522 - ■■■■■■ - ■■ U1 |
| 1 163 | 1.2 | 420 | 7 820 | - | 0.20 | 105792/91 | ✓ | ✓ | ✓ | | | | | | 2KJ3522 - ■■■■■■ - ■■ T1 |
| 1 010 | 1.4 | 420 | 7 820 | - | 0.21 | 65664/65 | ✓ | ✓ | ✓ | | | | | | 2KJ3522 - ■■■■■■ - ■■ S1 |
| 912 | 1.6 | 420 | 7 820 | - | 0.27 | 912/1 | ✓ | ✓ | ✓ | | | | | | 2KJ3522 - ■■■■■■ - ■■ R1 |
| 858 | 1.7 | 420 | 7 820 | - | 0.32 | 14592/17 | ✓ | ✓ | ✓ | | | | | | 2KJ3522 - ■■■■■■ - ■■ Q1 |
| 748 | 1.9 | 420 | 7 820 | - | 0.36 | 9728/13 | ✓ | ✓ | ✓ | | | | | | 2KJ3522 - ■■■■■■ - ■■ P1 |
| 690 | 2.1 | 420 | 7 820 | - | 0.19 | 188480/273 | ✓ | ✓ | ✓ | | | | | | 2KJ3522 - ■■■■■■ - ■■ N1 |
| 600 | 2.4 | 420 | 7 820 | - | 0.22 | 88160/147 | ✓ | ✓ | ✓ | | | | | | 2KJ3522 - ■■■■■■ - ■■ M1 |
| 521 | 2.8 | 420 | 7 820 | - | 0.23 | 3648/7 | ✓ | ✓ | ✓ | | | | | | 2KJ3522 - ■■■■■■ - ■■ L1 |
| 470 | 3.1 | 420 | 7 820 | - | 0.30 | 9880/21 | ✓ | ✓ | ✓ | | | | | | 2KJ3522 - ■■■■■■ - ■■ K1 |
| 443 | 3.3 | 420 | 7 820 | - | 0.35 | 158080/357 | ✓ | ✓ | ✓ | | | | | | 2KJ3522 - ■■■■■■ - ■■ J1 |
| 437 | 3.3 | 420 | 7 820 | - | 0.27 | 24453/56 | ✓ | ✓ | ✓ | | | | | | 2KJ3522 - ■■■■■■ - ■■ H1 |
| 411 | 3.5 | 420 | 7 820 | - | 0.32 | 48906/119 | ✓ | ✓ | ✓ | | | | | | 2KJ3522 - ■■■■■■ - ■■ G1 |
| 358 | 4.1 | 420 | 7 820 | - | 0.37 | 2508/7 | ✓ | ✓ | ✓ | | | | | | 2KJ3522 - ■■■■■■ - ■■ F1 |
| 330.56 | 4.4 | 420 | 7 820 | - | 0.20 | 32395/98 | ✓ | ✓ | ✓ | | | | | | 2KJ3522 - ■■■■■■ - ■■ E1 |
| 287.15 | 5.0 | 420 | 7 820 | - | 0.23 | 393965/1372 | ✓ | ✓ | ✓ | | | | | | 2KJ3522 - ■■■■■■ - ■■ D1 |
| 249.52 | 5.8 | 420 | 7 820 | - | 0.24 | 24453/98 | ✓ | ✓ | ✓ | | | | | | 2KJ3522 - ■■■■■■ - ■■ C1 |
| 225.26 | 6.4 | 420 | 7 820 | - | 0.31 | 176605/784 | ✓ | ✓ | ✓ | | | | | | 2KJ3522 - ■■■■■■ - ■■ B1 |
| 212.01 | 6.8 | 420 | 7 820 | - | 0.37 | 176605/833 | ✓ | ✓ | ✓ | | | | | | 2KJ3522 - ■■■■■■ - ■■ A1 |

¹⁾ Only in conjunction with reduced-backlash version

Selection and ordering data (continued)

| i | n_2 rpm | T_{2N} Nm | F_{R2} N | φ ¹⁾ | J_G 10 ⁻⁴ kgm ² | R_{ex} | Motor frame size | | | | | | | | Article No. |
|-----------------|--------------|----------------|---------------|-------------------------|--|--------------|------------------|----|----|----|-----|-----|-----|-----|--------------------------|
| | | | | | | | 63 | 71 | 80 | 90 | 100 | 112 | 132 | 160 | |
| K.69-D19 | | | | | | | | | | | | | | | |
| 9 641 | 0.15 | 600 | 10 800 | - | 0.08 | 67488/7 | ✓ | ✓ | | | | | | | 2KJ3525 - ■■■■■■ - ■■ J1 |
| 8 630 | 0.17 | 600 | 10 800 | - | 0.11 | 8638464/1001 | ✓ | ✓ | | | | | | | 2KJ3525 - ■■■■■■ - ■■ H1 |
| 7 663 | 0.19 | 600 | 10 800 | - | 0.13 | 697376/91 | ✓ | ✓ | | | | | | | 2KJ3525 - ■■■■■■ - ■■ G1 |
| 7 074 | 0.20 | 600 | 10 800 | - | 0.16 | 8368512/1183 | ✓ | ✓ | | | | | | | 2KJ3525 - ■■■■■■ - ■■ F1 |
| 6 145 | 0.24 | 600 | 10 800 | - | 0.17 | 3914304/637 | ✓ | ✓ | | | | | | | 2KJ3525 - ■■■■■■ - ■■ E1 |
| 5 340 | 0.27 | 600 | 10 800 | - | 0.18 | 2429568/455 | ✓ | ✓ | | | | | | | 2KJ3525 - ■■■■■■ - ■■ D1 |
| 4 821 | 0.30 | 600 | 10 800 | - | 0.22 | 33744/7 | ✓ | ✓ | | | | | | | 2KJ3525 - ■■■■■■ - ■■ C1 |
| 4 537 | 0.32 | 600 | 10 800 | - | 0.26 | 539904/119 | ✓ | ✓ | | | | | | | 2KJ3525 - ■■■■■■ - ■■ B1 |
| 3 955 | 0.37 | 600 | 10 800 | - | 0.29 | 359936/91 | ✓ | ✓ | | | | | | | 2KJ3525 - ■■■■■■ - ■■ A1 |
| K.69-Z19 | | | | | | | | | | | | | | | |
| 3 866 | 0.38 | 600 | 10 800 | - | 0.02 | 150784/39 | ✓ | ✓ | | | | | | | 2KJ3524 - ■■■■■■ - ■■ F2 |
| 3 424 | 0.42 | 600 | 10 800 | - | 0.03 | 222528/65 | ✓ | ✓ | ✓ | | | | | | 2KJ3524 - ■■■■■■ - ■■ E2 |
| 2 975 | 0.49 | 600 | 10 800 | - | 0.04 | 193344/65 | ✓ | ✓ | ✓ | | | | | | 2KJ3524 - ■■■■■■ - ■■ D2 |
| 2 704 | 0.54 | 600 | 10 800 | - | 0.05 | 386688/143 | ✓ | ✓ | ✓ | | | | | | 2KJ3524 - ■■■■■■ - ■■ C2 |
| 2 301 | 0.63 | 600 | 10 800 | - | 0.07 | 149568/65 | ✓ | ✓ | ✓ | | | | | | 2KJ3524 - ■■■■■■ - ■■ B2 |
| 2 092 | 0.69 | 600 | 10 800 | - | 0.08 | 299136/143 | ✓ | ✓ | ✓ | | | | | | 2KJ3524 - ■■■■■■ - ■■ A2 |
| 1 824 | 0.79 | 600 | 10 800 | - | 0.10 | 1824/1 | ✓ | ✓ | ✓ | | | | | | 2KJ3524 - ■■■■■■ - ■■ W1 |
| 1 633 | 0.89 | 600 | 10 800 | - | 0.13 | 233472/143 | ✓ | ✓ | ✓ | | | | | | 2KJ3524 - ■■■■■■ - ■■ V1 |
| 1 450 | 1.0 | 600 | 10 800 | - | 0.15 | 18848/13 | ✓ | ✓ | ✓ | | | | | | 2KJ3524 - ■■■■■■ - ■■ U1 |
| 1 338 | 1.1 | 600 | 10 800 | - | 0.18 | 226176/169 | ✓ | ✓ | ✓ | | | | | | 2KJ3524 - ■■■■■■ - ■■ T1 |
| 1 163 | 1.2 | 600 | 10 800 | - | 0.21 | 105792/91 | ✓ | ✓ | ✓ | | | | | | 2KJ3524 - ■■■■■■ - ■■ S1 |
| 1 010 | 1.4 | 600 | 10 800 | - | 0.21 | 65664/65 | ✓ | ✓ | ✓ | | | | | | 2KJ3524 - ■■■■■■ - ■■ R1 |
| 912 | 1.6 | 600 | 10 800 | - | 0.27 | 912/1 | ✓ | ✓ | ✓ | | | | | | 2KJ3524 - ■■■■■■ - ■■ Q1 |
| 858 | 1.7 | 600 | 10 800 | - | 0.32 | 14592/17 | ✓ | ✓ | ✓ | | | | | | 2KJ3524 - ■■■■■■ - ■■ P1 |
| 748 | 1.9 | 600 | 10 800 | - | 0.37 | 9728/13 | ✓ | ✓ | ✓ | | | | | | 2KJ3524 - ■■■■■■ - ■■ N1 |
| 690 | 2.1 | 600 | 10 800 | - | 0.20 | 188480/273 | ✓ | ✓ | ✓ | | | | | | 2KJ3524 - ■■■■■■ - ■■ M1 |
| 600 | 2.4 | 600 | 10 800 | - | 0.23 | 88160/147 | ✓ | ✓ | ✓ | | | | | | 2KJ3524 - ■■■■■■ - ■■ L1 |
| 521 | 2.8 | 600 | 10 800 | - | 0.24 | 3648/7 | ✓ | ✓ | ✓ | | | | | | 2KJ3524 - ■■■■■■ - ■■ K1 |
| 470 | 3.1 | 600 | 10 800 | - | 0.31 | 9880/21 | ✓ | ✓ | ✓ | | | | | | 2KJ3524 - ■■■■■■ - ■■ J1 |
| 443 | 3.3 | 600 | 10 800 | - | 0.37 | 158080/357 | ✓ | ✓ | ✓ | | | | | | 2KJ3524 - ■■■■■■ - ■■ H1 |
| 419 | 3.5 | 600 | 10 800 | - | 0.38 | 147136/351 | ✓ | ✓ | ✓ | | | | | | 2KJ3524 - ■■■■■■ - ■■ G1 |
| 387 | 3.7 | 600 | 10 800 | - | 0.22 | 2850760/7371 | ✓ | ✓ | ✓ | | | | | | 2KJ3524 - ■■■■■■ - ■■ F1 |
| 335.96 | 4.3 | 600 | 10 800 | - | 0.25 | 1333420/3969 | ✓ | ✓ | ✓ | | | | | | 2KJ3524 - ■■■■■■ - ■■ E1 |
| 291.94 | 5.0 | 600 | 10 800 | - | 0.27 | 18392/63 | ✓ | ✓ | ✓ | | | | | | 2KJ3524 - ■■■■■■ - ■■ D1 |
| 263.55 | 5.5 | 600 | 10 800 | - | 0.35 | 149435/567 | ✓ | ✓ | ✓ | | | | | | 2KJ3524 - ■■■■■■ - ■■ C1 |
| 248.05 | 5.8 | 600 | 10 800 | - | 0.41 | 2390960/9639 | ✓ | ✓ | ✓ | | | | | | 2KJ3524 - ■■■■■■ - ■■ B1 |
| 216.25 | 6.7 | 600 | 10 800 | - | 0.48 | 367840/1701 | ✓ | ✓ | ✓ | | | | | | 2KJ3524 - ■■■■■■ - ■■ A1 |

¹⁾ Only in conjunction with reduced-backlash version

SIMOGEAR geared motors

Bevel geared motors

Transmission ratios and torques for very low speeds

Selection and ordering data (continued)

| i | n_2 rpm | T_{2N} Nm | F_{R2} N | φ ¹⁾ | J_G 10 ⁻⁴ kgm ² | R_{ex} | Motor frame size | | | | | | | | Article No. |
|-----------------|--------------|----------------|---------------|-------------------------|--|----------------|------------------|----|----|----|-----|-----|-----|-----|--------------------------|
| | | | | | | | 63 | 71 | 80 | 90 | 100 | 112 | 132 | 160 | |
| K.79-D19 | | | | | | | | | | | | | | | |
| 9 522 | 0.15 | 820 | 13 900 | - | 0.13 | 1485365/156 | ✓ | ✓ | | | | | | | 2KJ3527 - ■■■■■■ - ■■ G1 |
| 8 789 | 0.16 | 820 | 13 900 | - | 0.16 | 1485365/169 | ✓ | ✓ | | | | | | | 2KJ3527 - ■■■■■■ - ■■ F1 |
| 7 635 | 0.19 | 820 | 13 900 | - | 0.17 | 198505/26 | ✓ | ✓ | | | | | | | 2KJ3527 - ■■■■■■ - ■■ E1 |
| 6 634 | 0.22 | 820 | 13 900 | - | 0.18 | 86247/13 | ✓ | ✓ | | | | | | | 2KJ3527 - ■■■■■■ - ■■ D1 |
| 5 989 | 0.24 | 820 | 13 900 | - | 0.22 | 47915/8 | ✓ | ✓ | | | | | | | 2KJ3527 - ■■■■■■ - ■■ C1 |
| 5 637 | 0.26 | 820 | 13 900 | - | 0.26 | 95830/17 | ✓ | ✓ | | | | | | | 2KJ3527 - ■■■■■■ - ■■ B1 |
| 4 914 | 0.30 | 820 | 13 900 | - | 0.29 | 191660/39 | ✓ | ✓ | | | | | | | 2KJ3527 - ■■■■■■ - ■■ A1 |
| K.79-Z19 | | | | | | | | | | | | | | | |
| 4 804 | 0.30 | 820 | 13 900 | - | 0.02 | 562030/117 | ✓ | ✓ | ✓ | | | | | | 2KJ3526 - ■■■■■■ - ■■ F2 |
| 4 254 | 0.34 | 820 | 13 900 | - | 0.03 | 110593/26 | ✓ | ✓ | ✓ | | | | | | 2KJ3526 - ■■■■■■ - ■■ E2 |
| 3 696 | 0.39 | 820 | 13 900 | - | 0.04 | 96089/26 | ✓ | ✓ | ✓ | | | | | | 2KJ3526 - ■■■■■■ - ■■ D2 |
| 3 360 | 0.43 | 820 | 13 900 | - | 0.05 | 480445/143 | ✓ | ✓ | ✓ | | | | | | 2KJ3526 - ■■■■■■ - ■■ C2 |
| 2 859 | 0.51 | 820 | 13 900 | - | 0.07 | 74333/26 | ✓ | ✓ | ✓ | | | | | | 2KJ3526 - ■■■■■■ - ■■ B2 |
| 2 599 | 0.56 | 820 | 13 900 | - | 0.08 | 371665/143 | ✓ | ✓ | ✓ | | | | | | 2KJ3526 - ■■■■■■ - ■■ A2 |
| 2 266 | 0.64 | 820 | 13 900 | - | 0.10 | 9065/4 | ✓ | ✓ | ✓ | | | | | | 2KJ3526 - ■■■■■■ - ■■ W1 |
| 2 029 | 0.71 | 820 | 13 900 | - | 0.13 | 290080/143 | ✓ | ✓ | ✓ | | | | | | 2KJ3526 - ■■■■■■ - ■■ V1 |
| 1 801 | 0.81 | 820 | 13 900 | - | 0.15 | 281015/156 | ✓ | ✓ | ✓ | | | | | | 2KJ3526 - ■■■■■■ - ■■ U1 |
| 1 663 | 0.87 | 820 | 13 900 | - | 0.18 | 281015/169 | ✓ | ✓ | ✓ | | | | | | 2KJ3526 - ■■■■■■ - ■■ T1 |
| 1 444 | 1.0 | 820 | 13 900 | - | 0.21 | 37555/26 | ✓ | ✓ | ✓ | | | | | | 2KJ3526 - ■■■■■■ - ■■ S1 |
| 1 255 | 1.2 | 820 | 13 900 | - | 0.21 | 16317/13 | ✓ | ✓ | ✓ | | | | | | 2KJ3526 - ■■■■■■ - ■■ R1 |
| 1 133 | 1.3 | 820 | 13 900 | - | 0.27 | 9065/8 | ✓ | ✓ | ✓ | | | | | | 2KJ3526 - ■■■■■■ - ■■ Q1 |
| 1 066 | 1.4 | 820 | 13 900 | - | 0.32 | 18130/17 | ✓ | ✓ | ✓ | | | | | | 2KJ3526 - ■■■■■■ - ■■ P1 |
| 930 | 1.6 | 820 | 13 900 | - | 0.37 | 36260/39 | ✓ | ✓ | ✓ | | | | | | 2KJ3526 - ■■■■■■ - ■■ N1 |
| 858 | 1.7 | 820 | 13 900 | - | 0.20 | 200725/234 | ✓ | ✓ | ✓ | | | | | | 2KJ3526 - ■■■■■■ - ■■ M1 |
| 745 | 1.9 | 820 | 13 900 | - | 0.23 | 26825/36 | ✓ | ✓ | ✓ | | | | | | 2KJ3526 - ■■■■■■ - ■■ L1 |
| 648 | 2.2 | 820 | 13 900 | - | 0.24 | 1295/2 | ✓ | ✓ | ✓ | | | | | | 2KJ3526 - ■■■■■■ - ■■ K1 |
| 585 | 2.5 | 820 | 13 900 | - | 0.31 | 84175/144 | ✓ | ✓ | ✓ | | | | | | 2KJ3526 - ■■■■■■ - ■■ J1 |
| 550 | 2.6 | 820 | 13 900 | - | 0.37 | 84175/153 | ✓ | ✓ | ✓ | | | | | | 2KJ3526 - ■■■■■■ - ■■ H1 |
| 521 | 2.8 | 820 | 13 900 | - | 0.38 | 1096865/2106 | ✓ | ✓ | ✓ | | | | | | 2KJ3526 - ■■■■■■ - ■■ G1 |
| 481 | 3.0 | 820 | 13 900 | - | 0.22 | 24287725/50544 | ✓ | ✓ | ✓ | | | | | | 2KJ3526 - ■■■■■■ - ■■ F1 |
| 417 | 3.5 | 820 | 13 900 | - | 0.25 | 3245825/7776 | ✓ | ✓ | ✓ | | | | | | 2KJ3526 - ■■■■■■ - ■■ E1 |
| 363 | 4.0 | 820 | 13 900 | - | 0.27 | 156695/432 | ✓ | ✓ | ✓ | | | | | | 2KJ3526 - ■■■■■■ - ■■ D1 |
| 327.46 | 4.4 | 820 | 13 900 | - | 0.35 | 10185175/31104 | ✓ | ✓ | ✓ | | | | | | 2KJ3526 - ■■■■■■ - ■■ C1 |
| 308.19 | 4.7 | 820 | 13 900 | - | 0.41 | 10185175/33048 | ✓ | ✓ | ✓ | | | | | | 2KJ3526 - ■■■■■■ - ■■ B1 |
| 268.68 | 5.4 | 820 | 13 900 | - | 0.48 | 783475/2916 | ✓ | ✓ | ✓ | | | | | | 2KJ3526 - ■■■■■■ - ■■ A1 |

¹⁾ Only in conjunction with reduced-backlash version

Selection and ordering data (continued)

| i | n_2 rpm | T_{2N} Nm | F_{R2} N | φ ¹⁾ | J_G 10 ⁻⁴ kgm ² | R_{ex} | Motor frame size | | | | | | | | Article No. |
|-----------------|--------------|----------------|---------------|-------------------------|--|-------------------|------------------|----|----|----|-----|-----|-----|--------------------------|-------------|
| | | | | | | | 63 | 71 | 80 | 90 | 100 | 112 | 132 | 160 | |
| K.89-D39 | | | | | | | | | | | | | | | |
| 9 761 | 0.15 | 1 600 | 18 100 | - | 0.17 | 1577036825/161568 | ✓ | ✓ | ✓ | ✓ | ✓ | ✓ | | 2KJ3530 - ■■■■■■ - ■■ E1 | |
| 9 010 | 0.16 | 1 600 | 18 100 | - | 0.21 | 121310525/13464 | ✓ | ✓ | ✓ | ✓ | ✓ | ✓ | | 2KJ3530 - ■■■■■■ - ■■ D1 | |
| 7 888 | 0.18 | 1 600 | 18 100 | - | 0.25 | 6436885/816 | ✓ | ✓ | ✓ | ✓ | ✓ | ✓ | | 2KJ3530 - ■■■■■■ - ■■ C1 | |
| 6 916 | 0.21 | 1 600 | 18 100 | - | 0.23 | 279360809/40392 | ✓ | ✓ | ✓ | ✓ | ✓ | ✓ | | 2KJ3530 - ■■■■■■ - ■■ B1 | |
| 6 275 | 0.23 | 1 600 | 18 100 | - | 0.33 | 225290975/35904 | ✓ | ✓ | ✓ | ✓ | ✓ | ✓ | | 2KJ3530 - ■■■■■■ - ■■ A1 | |
| K.89-Z39 | | | | | | | | | | | | | | | |
| 6 101 | 0.24 | 1 600 | 18 100 | - | 0.06 | 86972795/14256 | ✓ | ✓ | | | | | | 2KJ3528 - ■■■■■■ - ■■ F2 | |
| 5 425 | 0.27 | 1 600 | 18 100 | - | 0.07 | 8592493/1584 | ✓ | ✓ | ✓ | ✓ | | | | 2KJ3528 - ■■■■■■ - ■■ E2 | |
| 4 763 | 0.30 | 1 600 | 18 100 | - | 0.08 | 209573/44 | ✓ | ✓ | ✓ | ✓ | | | | 2KJ3528 - ■■■■■■ - ■■ D2 | |
| 4 330 | 0.33 | 1 600 | 18 100 | - | 0.10 | 1047865/242 | ✓ | ✓ | ✓ | ✓ | | | | 2KJ3528 - ■■■■■■ - ■■ C2 | |
| 3 705 | 0.39 | 1 600 | 18 100 | - | 0.12 | 1467011/396 | ✓ | ✓ | ✓ | ✓ | | | | 2KJ3528 - ■■■■■■ - ■■ B2 | |
| 3 368 | 0.43 | 1 600 | 18 100 | - | 0.14 | 7335055/2178 | ✓ | ✓ | ✓ | ✓ | | | | 2KJ3528 - ■■■■■■ - ■■ A2 | |
| 2 977 | 0.49 | 1 600 | 18 100 | - | 0.17 | 1047865/352 | ✓ | ✓ | ✓ | ✓ | ✓ | ✓ | | 2KJ3528 - ■■■■■■ - ■■ W1 | |
| 2 706 | 0.54 | 1 600 | 18 100 | - | 0.22 | 5239325/1936 | ✓ | ✓ | ✓ | ✓ | ✓ | ✓ | | 2KJ3528 - ■■■■■■ - ■■ V1 | |
| 2 370 | 0.61 | 1 600 | 18 100 | - | 0.26 | 45058195/19008 | ✓ | ✓ | ✓ | ✓ | ✓ | ✓ | | 2KJ3528 - ■■■■■■ - ■■ U1 | |
| 2 188 | 0.66 | 1 600 | 18 100 | - | 0.31 | 3466015/1584 | ✓ | ✓ | ✓ | ✓ | ✓ | ✓ | | 2KJ3528 - ■■■■■■ - ■■ T1 | |
| 1 937 | 0.75 | 1 600 | 18 100 | - | 0.36 | 6137495/3168 | ✓ | ✓ | ✓ | ✓ | ✓ | ✓ | | 2KJ3528 - ■■■■■■ - ■■ S1 | |
| 1 612 | 0.90 | 1 600 | 18 100 | - | 0.48 | 13622245/8448 | ✓ | ✓ | ✓ | ✓ | ✓ | ✓ | | 2KJ3528 - ■■■■■■ - ■■ R1 | |
| 1 518 | 0.96 | 1 600 | 18 100 | - | 0.56 | 13622245/8976 | ✓ | ✓ | ✓ | ✓ | ✓ | ✓ | | 2KJ3528 - ■■■■■■ - ■■ Q1 | |
| 1 360 | 1.1 | 1 600 | 18 100 | - | 0.61 | 38771005/28512 | ✓ | ✓ | ✓ | ✓ | ✓ | ✓ | | 2KJ3528 - ■■■■■■ - ■■ P1 | |
| 1 158 | 1.3 | 1 600 | 18 100 | - | 0.79 | 7335055/6336 | ✓ | ✓ | ✓ | ✓ | ✓ | ✓ | | 2KJ3528 - ■■■■■■ - ■■ N1 | |
| 992 | 1.5 | 1 600 | 18 100 | - | 1.04 | 1047865/1056 | ✓ | ✓ | ✓ | ✓ | ✓ | ✓ | | 2KJ3528 - ■■■■■■ - ■■ M1 | |
| 854 | 1.7 | 1 600 | 18 100 | - | 1.32 | 32483815/38016 | ✓ | ✓ | ✓ | ✓ | ✓ | ✓ | | 2KJ3528 - ■■■■■■ - ■■ L1 | |
| 705 | 2.1 | 1 600 | 18 100 | - | 0.61 | 45656975/64768 | ✓ | ✓ | ✓ | ✓ | ✓ | ✓ | | 2KJ3528 - ■■■■■■ - ■■ K1 | |
| 663 | 2.2 | 1 600 | 18 100 | - | 0.70 | 45656975/68816 | ✓ | ✓ | ✓ | ✓ | ✓ | ✓ | | 2KJ3528 - ■■■■■■ - ■■ J1 | |
| 594 | 2.4 | 1 600 | 18 100 | - | 0.79 | 129946775/218592 | ✓ | ✓ | ✓ | ✓ | ✓ | ✓ | | 2KJ3528 - ■■■■■■ - ■■ H1 | |
| 506 | 2.9 | 1 600 | 18 100 | - | 1.04 | 24584525/48576 | ✓ | ✓ | ✓ | ✓ | ✓ | ✓ | | 2KJ3528 - ■■■■■■ - ■■ G1 | |
| 476 | 3.0 | 1 600 | 18 100 | - | 0.65 | 84791525/178112 | ✓ | ✓ | ✓ | ✓ | ✓ | ✓ | | 2KJ3528 - ■■■■■■ - ■■ F1 | |
| 448 | 3.2 | 1 600 | 18 100 | - | 0.75 | 84791525/189244 | ✓ | ✓ | ✓ | ✓ | ✓ | ✓ | | 2KJ3528 - ■■■■■■ - ■■ E1 | |
| 401 | 3.6 | 1 600 | 18 100 | - | 0.85 | 241329725/601128 | ✓ | ✓ | ✓ | ✓ | ✓ | ✓ | | 2KJ3528 - ■■■■■■ - ■■ D1 | |
| 341.78 | 4.2 | 1 600 | 18 100 | - | 1.12 | 45656975/133584 | ✓ | ✓ | ✓ | ✓ | ✓ | ✓ | | 2KJ3528 - ■■■■■■ - ■■ C1 | |
| 292.96 | 4.9 | 1 600 | 18 100 | - | 1.48 | 6522425/22264 | | | ✓ | ✓ | ✓ | ✓ | | 2KJ3528 - ■■■■■■ - ■■ B1 | |
| 252.27 | 5.7 | 1 600 | 18 100 | - | 1.92 | 202195175/801504 | | | ✓ | ✓ | ✓ | ✓ | | 2KJ3528 - ■■■■■■ - ■■ A1 | |

1) Only in conjunction with reduced-backlash version

SIMOGEAR geared motors

Bevel geared motors

Transmission ratios and torques for very low speeds

Selection and ordering data (continued)

| i | n_2 rpm | T_{2N} Nm | F_{R2} N | φ ¹⁾ | J_G 10 ⁻⁴ kgm ² | R_{ex} | Motor frame size | | | | | | | | Article No. |
|------------------|--------------|----------------|---------------|-------------------------|--|-------------------|------------------|----|----|----|-----|-----|-----|--------------------------|-------------|
| | | | | | | | 63 | 71 | 80 | 90 | 100 | 112 | 132 | 160 | |
| K.109-D39 | | | | | | | | | | | | | | | |
| 13 352 | 0.11 | 2 900 | 24 500 | - | 0.12 | 57881096/4335 | ✓ | ✓ | ✓ | ✓ | ✓ | ✓ | | 2KJ3532 - ■■■■■■ - ■■ G1 | |
| 11 918 | 0.12 | 2 900 | 24 500 | - | 0.15 | 2083719456/174845 | ✓ | ✓ | ✓ | ✓ | ✓ | ✓ | | 2KJ3532 - ■■■■■■ - ■■ F1 | |
| 10 621 | 0.14 | 2 900 | 24 500 | - | 0.17 | 101291918/9537 | ✓ | ✓ | ✓ | ✓ | ✓ | ✓ | | 2KJ3532 - ■■■■■■ - ■■ E1 | |
| 9 804 | 0.15 | 2 900 | 24 500 | - | 0.21 | 31166744/3179 | ✓ | ✓ | ✓ | ✓ | ✓ | ✓ | | 2KJ3532 - ■■■■■■ - ■■ D1 | |
| 8 583 | 0.17 | 2 900 | 24 500 | - | 0.25 | 12403092/1445 | ✓ | ✓ | ✓ | ✓ | ✓ | ✓ | | 2KJ3532 - ■■■■■■ - ■■ C1 | |
| 7 526 | 0.19 | 2 900 | 24 500 | - | 0.23 | 1794313976/238425 | ✓ | ✓ | ✓ | ✓ | ✓ | ✓ | | 2KJ3532 - ■■■■■■ - ■■ B1 | |
| 6 828 | 0.21 | 2 900 | 24 500 | - | 0.33 | 21705411/3179 | ✓ | ✓ | ✓ | ✓ | ✓ | ✓ | | 2KJ3532 - ■■■■■■ - ■■ A1 | |
| K.109-Z39 | | | | | | | | | | | | | | | |
| 6 638 | 0.22 | 2 900 | 24 500 | - | 0.06 | 55861988/8415 | ✓ | ✓ | | | | | | 2KJ3531 - ■■■■■■ - ■■ F2 | |
| 5 903 | 0.25 | 2 900 | 24 500 | - | 0.07 | 27594476/4675 | ✓ | ✓ | ✓ | ✓ | | | | 2KJ3531 - ■■■■■■ - ■■ F2 | |
| 5 183 | 0.28 | 2 900 | 24 500 | - | 0.08 | 24229296/4675 | ✓ | ✓ | ✓ | ✓ | | | | 2KJ3531 - ■■■■■■ - ■■ E2 | |
| 4 712 | 0.31 | 2 900 | 24 500 | - | 0.10 | 48458592/10285 | ✓ | ✓ | ✓ | ✓ | | | | 2KJ3531 - ■■■■■■ - ■■ D2 | |
| 4 031 | 0.36 | 2 900 | 24 500 | - | 0.12 | 18845008/4675 | ✓ | ✓ | ✓ | ✓ | | | | 2KJ3531 - ■■■■■■ - ■■ C2 | |
| 3 665 | 0.40 | 2 900 | 24 500 | - | 0.14 | 37690016/10285 | ✓ | ✓ | ✓ | ✓ | | | | 2KJ3531 - ■■■■■■ - ■■ B2 | |
| 3 239 | 0.45 | 2 900 | 24 500 | - | 0.17 | 3028662/935 | ✓ | ✓ | ✓ | ✓ | ✓ | ✓ | | 2KJ3531 - ■■■■■■ - ■■ A2 | |
| 2 945 | 0.49 | 2 900 | 24 500 | - | 0.23 | 6057324/2057 | ✓ | ✓ | ✓ | ✓ | ✓ | ✓ | | 2KJ3531 - ■■■■■■ - ■■ W1 | |
| 2 579 | 0.56 | 2 900 | 24 500 | - | 0.26 | 7235137/2805 | ✓ | ✓ | ✓ | ✓ | ✓ | ✓ | | 2KJ3531 - ■■■■■■ - ■■ V1 | |
| 2 381 | 0.61 | 2 900 | 24 500 | - | 0.31 | 2226196/935 | ✓ | ✓ | ✓ | ✓ | ✓ | ✓ | | 2KJ3531 - ■■■■■■ - ■■ U1 | |
| 2 108 | 0.69 | 2 900 | 24 500 | - | 0.36 | 1971034/935 | ✓ | ✓ | ✓ | ✓ | ✓ | ✓ | | 2KJ3531 - ■■■■■■ - ■■ T1 | |
| 1 755 | 0.83 | 2 900 | 24 500 | - | 0.48 | 6562101/3740 | ✓ | ✓ | ✓ | ✓ | ✓ | ✓ | | 2KJ3531 - ■■■■■■ - ■■ S1 | |
| 1 651 | 0.88 | 2 900 | 24 500 | - | 0.57 | 26248404/15895 | ✓ | ✓ | ✓ | ✓ | ✓ | ✓ | | 2KJ3531 - ■■■■■■ - ■■ R1 | |
| 1 480 | 0.98 | 2 900 | 24 500 | - | 0.62 | 12451166/8415 | ✓ | ✓ | ✓ | ✓ | ✓ | ✓ | | 2KJ3531 - ■■■■■■ - ■■ Q1 | |
| 1 260 | 1.2 | 2 900 | 24 500 | - | 0.80 | 1177813/935 | ✓ | ✓ | ✓ | ✓ | ✓ | ✓ | | 2KJ3531 - ■■■■■■ - ■■ P1 | |
| 1 080 | 1.3 | 2 900 | 24 500 | - | 1.05 | 1009554/935 | | | ✓ | ✓ | ✓ | ✓ | | 2KJ3531 - ■■■■■■ - ■■ N1 | |
| 930 | 1.6 | 2 900 | 24 500 | - | 1.34 | 5216029/5610 | | | ✓ | ✓ | ✓ | ✓ | | 2KJ3531 - ■■■■■■ - ■■ M1 | |
| 767 | 1.9 | 2 900 | 24 500 | - | 0.63 | 13196313/17204 | ✓ | ✓ | ✓ | ✓ | ✓ | ✓ | | 2KJ3531 - ■■■■■■ - ■■ L1 | |
| 722 | 2.0 | 2 900 | 24 500 | - | 0.73 | 52785252/73117 | ✓ | ✓ | ✓ | ✓ | ✓ | ✓ | | 2KJ3531 - ■■■■■■ - ■■ K1 | |
| 647 | 2.2 | 2 900 | 24 500 | - | 0.83 | 8346386/12903 | ✓ | ✓ | ✓ | ✓ | ✓ | ✓ | | 2KJ3531 - ■■■■■■ - ■■ J1 | |
| 551 | 2.6 | 2 900 | 24 500 | - | 1.09 | 2368569/4301 | ✓ | ✓ | ✓ | ✓ | ✓ | ✓ | | 2KJ3531 - ■■■■■■ - ■■ H1 | |
| 519 | 2.8 | 2 900 | 24 500 | - | 1.40 | 88672493/170775 | | | ✓ | ✓ | ✓ | ✓ | | 2KJ3531 - ■■■■■■ - ■■ G1 | |
| 428 | 3.4 | 2 900 | 24 500 | - | 0.73 | 24926369/58190 | ✓ | ✓ | ✓ | ✓ | ✓ | ✓ | | 2KJ3531 - ■■■■■■ - ■■ F1 | |
| 403 | 3.6 | 2 900 | 24 500 | - | 0.84 | 11730056/29095 | ✓ | ✓ | ✓ | ✓ | ✓ | ✓ | | 2KJ3531 - ■■■■■■ - ■■ E1 | |
| 361 | 4.0 | 2 900 | 24 500 | - | 0.97 | 283777124/785565 | ✓ | ✓ | ✓ | ✓ | ✓ | ✓ | | 2KJ3531 - ■■■■■■ - ■■ D1 | |
| 307.54 | 4.7 | 2 900 | 24 500 | - | 1.28 | 26843782/87285 | ✓ | ✓ | ✓ | ✓ | ✓ | ✓ | | 2KJ3531 - ■■■■■■ - ■■ C1 | |
| 263.61 | 5.5 | 2 900 | 24 500 | - | 1.70 | 7669652/29095 | | | ✓ | ✓ | ✓ | ✓ | | 2KJ3531 - ■■■■■■ - ■■ B1 | |
| 227 | 6.4 | 2 900 | 24 500 | - | 2.20 | 59439803/261855 | | | ✓ | ✓ | ✓ | ✓ | | 2KJ3531 - ■■■■■■ - ■■ A1 | |

¹⁾ Only in conjunction with reduced-backlash version

Selection and ordering data (continued)

| i | n_2 rpm | T_{2N} Nm | F_{R2} N | φ ¹⁾ | J_G 10 ⁻⁴ kgm ² | R_{ex} | Motor frame size | | | | | | | | Article No. |
|------------------|--------------|----------------|---------------|-------------------------|--|-------------------|------------------|----|----|----|-----|-----|-----|-----|--------------------------|
| | | | | | | | 63 | 71 | 80 | 90 | 100 | 112 | 132 | 160 | |
| K.129-D39 | | | | | | | | | | | | | | | |
| 14 490 | 0.10 | 4 400 | 40 000 | - | 0.09 | 2494142287/172125 | ✓ | ✓ | ✓ | ✓ | | | | | 2KJ3534 - ■■■■■■ - ■■ H1 |
| 13 173 | 0.11 | 4 400 | 40 000 | - | 0.10 | 4988284574/378675 | ✓ | ✓ | ✓ | ✓ | | | | | 2KJ3534 - ■■■■■■ - ■■ G1 |
| 11 550 | 0.13 | 4 400 | 40 000 | - | 0.12 | 1192850659/103275 | ✓ | ✓ | ✓ | ✓ | ✓ | ✓ | | | 2KJ3534 - ■■■■■■ - ■■ F1 |
| 10 309 | 0.14 | 4 400 | 40 000 | - | 0.15 | 433763876/42075 | ✓ | ✓ | ✓ | ✓ | ✓ | ✓ | | | 2KJ3534 - ■■■■■■ - ■■ E1 |
| 9 188 | 0.16 | 4 400 | 40 000 | - | 0.18 | 759086783/82620 | ✓ | ✓ | ✓ | ✓ | ✓ | ✓ | | | 2KJ3534 - ■■■■■■ - ■■ D1 |
| 8 481 | 0.17 | 4 400 | 40 000 | - | 0.21 | 58391291/6885 | ✓ | ✓ | ✓ | ✓ | ✓ | ✓ | | | 2KJ3534 - ■■■■■■ - ■■ C1 |
| 7 425 | 0.20 | 4 400 | 40 000 | - | 0.25 | 170407237/22950 | ✓ | ✓ | ✓ | ✓ | ✓ | ✓ | | | 2KJ3534 - ■■■■■■ - ■■ B1 |
| 6 510 | 0.22 | 4 400 | 40 000 | - | 0.23 | 3361670039/516375 | ✓ | ✓ | ✓ | ✓ | ✓ | ✓ | | | 2KJ3534 - ■■■■■■ - ■■ A1 |
| K.129-Z39 | | | | | | | | | | | | | | | |
| 5 743 | 0.25 | 4 400 | 37 600 | - | 0.06 | 209316289/36450 | ✓ | ✓ | | | | | | | 2KJ3533 - ■■■■■■ - ■■ A2 |
| 5 106 | 0.28 | 4 400 | 37 600 | - | 0.07 | 103397203/20250 | ✓ | ✓ | ✓ | ✓ | | | | | 2KJ3533 - ■■■■■■ - ■■ X1 |
| 4 483 | 0.32 | 4 400 | 37 600 | - | 0.09 | 5043766/1125 | ✓ | ✓ | ✓ | ✓ | | | | | 2KJ3533 - ■■■■■■ - ■■ W1 |
| 4 076 | 0.36 | 4 400 | 37 600 | - | 0.11 | 10087532/2475 | ✓ | ✓ | ✓ | ✓ | | | | | 2KJ3533 - ■■■■■■ - ■■ V1 |
| 3 487 | 0.42 | 4 400 | 37 600 | - | 0.13 | 35306362/10125 | ✓ | ✓ | ✓ | ✓ | | | | | 2KJ3533 - ■■■■■■ - ■■ U1 |
| 3 170 | 0.46 | 4 400 | 37 600 | - | 0.15 | 70612724/22275 | ✓ | ✓ | ✓ | ✓ | | | | | 2KJ3533 - ■■■■■■ - ■■ T1 |
| 2 802 | 0.52 | 4 400 | 37 600 | - | 0.18 | 2521883/900 | ✓ | ✓ | ✓ | ✓ | ✓ | ✓ | | | 2KJ3533 - ■■■■■■ - ■■ S1 |
| 2 547 | 0.57 | 4 400 | 37 600 | - | 0.24 | 2521883/990 | ✓ | ✓ | ✓ | ✓ | ✓ | ✓ | | | 2KJ3533 - ■■■■■■ - ■■ R1 |
| 2 231 | 0.65 | 4 400 | 37 600 | - | 0.28 | 108440969/48600 | ✓ | ✓ | ✓ | ✓ | ✓ | ✓ | | | 2KJ3533 - ■■■■■■ - ■■ Q1 |
| 2 060 | 0.70 | 4 400 | 37 600 | - | 0.33 | 8341613/4050 | ✓ | ✓ | ✓ | ✓ | ✓ | ✓ | | | 2KJ3533 - ■■■■■■ - ■■ P1 |
| 1 824 | 0.79 | 4 400 | 37 600 | - | 0.39 | 14771029/8100 | ✓ | ✓ | ✓ | ✓ | ✓ | ✓ | | | 2KJ3533 - ■■■■■■ - ■■ N1 |
| 1 518 | 0.96 | 4 400 | 37 600 | - | 0.53 | 32784479/21600 | ✓ | ✓ | ✓ | ✓ | ✓ | ✓ | | | 2KJ3533 - ■■■■■■ - ■■ M1 |
| 1 429 | 1.0 | 4 400 | 37 600 | - | 0.61 | 32784479/22950 | ✓ | ✓ | ✓ | ✓ | ✓ | ✓ | | | 2KJ3533 - ■■■■■■ - ■■ L1 |
| 1 280 | 1.1 | 4 400 | 37 600 | - | 0.68 | 93309671/72900 | ✓ | ✓ | ✓ | ✓ | ✓ | ✓ | | | 2KJ3533 - ■■■■■■ - ■■ K1 |
| 1 090 | 1.3 | 4 400 | 37 600 | - | 0.88 | 17653181/16200 | ✓ | ✓ | ✓ | ✓ | ✓ | ✓ | | | 2KJ3533 - ■■■■■■ - ■■ J1 |
| 934 | 1.6 | 4 400 | 37 600 | - | 1.16 | 2521883/2700 | | | ✓ | ✓ | ✓ | ✓ | | | 2KJ3533 - ■■■■■■ - ■■ H1 |
| 804 | 1.8 | 4 400 | 37 600 | - | 1.48 | 78178373/97200 | | | ✓ | ✓ | ✓ | ✓ | | | 2KJ3533 - ■■■■■■ - ■■ G1 |
| 664 | 2.2 | 4 400 | 37 600 | - | 0.85 | 21976409/33120 | ✓ | ✓ | ✓ | ✓ | ✓ | ✓ | | | 2KJ3533 - ■■■■■■ - ■■ F1 |
| 625 | 2.3 | 4 400 | 37 600 | - | 0.98 | 21976409/35190 | ✓ | ✓ | ✓ | ✓ | ✓ | ✓ | | | 2KJ3533 - ■■■■■■ - ■■ E1 |
| 560 | 2.6 | 4 400 | 37 600 | - | 1.13 | 62548241/111780 | ✓ | ✓ | ✓ | ✓ | ✓ | ✓ | | | 2KJ3533 - ■■■■■■ - ■■ D1 |
| 476 | 3.0 | 4 400 | 37 600 | - | 1.51 | 11833451/24840 | ✓ | ✓ | ✓ | ✓ | ✓ | ✓ | | | 2KJ3533 - ■■■■■■ - ■■ C1 |
| 408 | 3.6 | 4 400 | 37 600 | - | 2.00 | 1690493/4140 | | | ✓ | ✓ | ✓ | ✓ | | | 2KJ3533 - ■■■■■■ - ■■ B1 |
| 352 | 4.1 | 4 400 | 37 600 | - | 2.60 | 52405283/149040 | | | ✓ | ✓ | ✓ | ✓ | | | 2KJ3533 - ■■■■■■ - ■■ A1 |

1) Only in conjunction with reduced-backlash version

SIMOGEAR geared motors

Bevel geared motors

Transmission ratios and torques for very low speeds

Selection and ordering data (continued)

| i | n_2 rpm | T_{2N} Nm | F_{R2} N | φ ¹⁾ | J_G 10 ⁻⁴ kgm ² | R_{ex} | Motor frame size | | | | | | | | Article No. |
|------------------|--------------|----------------|---------------|-------------------------|--|-----------------|------------------|----|----|----|-----|-----|-----|-----|--------------------------|
| | | | | | | | 63 | 71 | 80 | 90 | 100 | 112 | 132 | 160 | |
| K.149-D49 | | | | | | | | | | | | | | | |
| 13 575 | 0.11 | 8 000 | 65 000 | - | 0.12 | 23891273/1760 | ✓ | ✓ | ✓ | ✓ | | | | | 2KJ3536 - ■■■■■■ - ■■ L1 |
| 12 341 | 0.12 | 8 000 | 65 000 | - | 0.14 | 23891273/1936 | ✓ | ✓ | ✓ | ✓ | | | | | 2KJ3536 - ■■■■■■ - ■■ K1 |
| 10 908 | 0.13 | 8 000 | 65 000 | - | 0.17 | 30717351/2816 | ✓ | ✓ | ✓ | ✓ | ✓ | ✓ | | | 2KJ3536 - ■■■■■■ - ■■ J1 |
| 9 917 | 0.15 | 8 000 | 65 000 | - | 0.22 | 153586755/15488 | ✓ | ✓ | ✓ | ✓ | ✓ | ✓ | | | 2KJ3536 - ■■■■■■ - ■■ H1 |
| 8 686 | 0.17 | 8 000 | 65 000 | - | 0.26 | 146760677/16896 | ✓ | ✓ | ✓ | ✓ | ✓ | ✓ | | | 2KJ3536 - ■■■■■■ - ■■ G1 |
| 8 018 | 0.18 | 8 000 | 65 000 | - | 0.31 | 146760677/18304 | ✓ | ✓ | ✓ | ✓ | ✓ | ✓ | | | 2KJ3536 - ■■■■■■ - ■■ F1 |
| 7 099 | 0.20 | 8 000 | 65 000 | - | 0.37 | 19990657/2816 | ✓ | ✓ | ✓ | ✓ | ✓ | ✓ | ✓ | | 2KJ3536 - ■■■■■■ - ■■ E1 |
| 5 909 | 0.25 | 8 000 | 65 000 | - | 0.50 | 133108521/22528 | ✓ | ✓ | ✓ | ✓ | ✓ | ✓ | ✓ | | 2KJ3536 - ■■■■■■ - ■■ D1 |
| 5 561 | 0.26 | 8 000 | 65 000 | - | 0.59 | 7829913/1408 | ✓ | ✓ | ✓ | ✓ | ✓ | ✓ | ✓ | | 2KJ3536 - ■■■■■■ - ■■ C1 |
| 4 983 | 0.29 | 8 000 | 65 000 | - | 0.66 | 126282443/25344 | ✓ | ✓ | ✓ | ✓ | ✓ | ✓ | ✓ | | 2KJ3536 - ■■■■■■ - ■■ B1 |
| 4 242 | 0.34 | 8 000 | 65 000 | - | 0.86 | 23891273/5632 | ✓ | ✓ | ✓ | ✓ | ✓ | ✓ | ✓ | | 2KJ3536 - ■■■■■■ - ■■ A1 |
| K.149-Z49 | | | | | | | | | | | | | | | |
| 4 149 | 0.35 | 8 000 | 65 000 | - | 0.18 | 58423197/14080 | ✓ | ✓ | ✓ | ✓ | ✓ | ✓ | ✓ | | 2KJ3535 - ■■■■■■ - ■■ B2 |
| 3 772 | 0.38 | 8 000 | 65 000 | - | 0.22 | 58423197/15488 | ✓ | ✓ | ✓ | ✓ | ✓ | ✓ | ✓ | | 2KJ3535 - ■■■■■■ - ■■ A2 |
| 3 208 | 0.45 | 8 000 | 65 000 | - | 0.28 | 9034515/2816 | ✓ | ✓ | ✓ | ✓ | ✓ | ✓ | ✓ | | 2KJ3535 - ■■■■■■ - ■■ X1 |
| 2 917 | 0.5 | 8 000 | 65 000 | - | 0.34 | 45172575/15488 | ✓ | ✓ | ✓ | ✓ | ✓ | ✓ | ✓ | | 2KJ3535 - ■■■■■■ - ■■ W1 |
| 2 602 | 0.56 | 8 000 | 65 000 | - | 0.39 | 14655991/5632 | ✓ | ✓ | ✓ | ✓ | ✓ | ✓ | ✓ | | 2KJ3535 - ■■■■■■ - ■■ V1 |
| 2 333 | 0.62 | 8 000 | 65 000 | - | 0.47 | 9034515/3872 | ✓ | ✓ | ✓ | ✓ | ✓ | ✓ | ✓ | | 2KJ3535 - ■■■■■■ - ■■ U1 |
| 2 103 | 0.69 | 8 000 | 65 000 | - | 0.55 | 11845253/5632 | ✓ | ✓ | ✓ | ✓ | ✓ | ✓ | ✓ | | 2KJ3535 - ■■■■■■ - ■■ T1 |
| 1 941 | 0.75 | 8 000 | 65 000 | - | 0.66 | 35535759/18304 | ✓ | ✓ | ✓ | ✓ | ✓ | ✓ | ✓ | | 2KJ3535 - ■■■■■■ - ■■ S1 |
| 1 772 | 0.82 | 8 000 | 65 000 | - | 0.78 | 2495247/1408 | ✓ | ✓ | ✓ | ✓ | ✓ | ✓ | ✓ | | 2KJ3535 - ■■■■■■ - ■■ R1 |
| 1 470 | 0.99 | 8 000 | 65 000 | - | 1.00 | 3011505/2048 | ✓ | ✓ | ✓ | ✓ | ✓ | ✓ | ✓ | | 2KJ3535 - ■■■■■■ - ■■ Q1 |
| 1 384 | 1.0 | 8 000 | 65 000 | - | 1.16 | 3011505/2176 | ✓ | ✓ | ✓ | ✓ | ✓ | ✓ | ✓ | | 2KJ3535 - ■■■■■■ - ■■ P1 |
| 1 307 | 1.1 | 8 000 | 65 000 | - | 1.31 | 1003835/768 | ✓ | ✓ | ✓ | ✓ | ✓ | ✓ | ✓ | | 2KJ3535 - ■■■■■■ - ■■ N1 |
| 1 112 | 1.3 | 8 000 | 65 000 | - | 1.62 | 7829913/7040 | ✓ | ✓ | ✓ | ✓ | ✓ | ✓ | ✓ | | 2KJ3535 - ■■■■■■ - ■■ M1 |
| 953 | 1.5 | 8 000 | 65 000 | - | 2.00 | 29512749/30976 | ✓ | ✓ | ✓ | ✓ | ✓ | ✓ | ✓ | | 2KJ3535 - ■■■■■■ - ■■ L1 |
| 838 | 1.7 | 8 000 | 65 000 | - | 2.50 | 9436049/11264 | ✓ | ✓ | ✓ | ✓ | ✓ | ✓ | ✓ | | 2KJ3535 - ■■■■■■ - ■■ K1 |
| 707 | 2.1 | 8 000 | 65 000 | - | 3.20 | 497553/704 | ✓ | ✓ | ✓ | ✓ | ✓ | ✓ | ✓ | | 2KJ3535 - ■■■■■■ - ■■ J1 |
| 616 | 2.4 | 8 000 | 65 000 | - | 4.20 | 5420709/8800 | ✓ | ✓ | ✓ | ✓ | ✓ | ✓ | ✓ | | 2KJ3535 - ■■■■■■ - ■■ H1 |
| 608 | 2.4 | 8 000 | 65 000 | - | 1.81 | 826413/1360 | ✓ | ✓ | ✓ | ✓ | ✓ | ✓ | ✓ | | 2KJ3535 - ■■■■■■ - ■■ G1 |
| 574 | 2.5 | 8 000 | 65 000 | - | 2.00 | 275471/480 | ✓ | ✓ | ✓ | ✓ | ✓ | ✓ | ✓ | | 2KJ3535 - ■■■■■■ - ■■ F1 |
| 488 | 3.0 | 8 000 | 65 000 | - | 2.60 | 10743369/22000 | ✓ | ✓ | ✓ | ✓ | ✓ | ✓ | ✓ | | 2KJ3535 - ■■■■■■ - ■■ E1 |
| 418 | 3.5 | 8 000 | 65 000 | - | 3.40 | 40494237/96800 | ✓ | ✓ | ✓ | ✓ | ✓ | ✓ | ✓ | | 2KJ3535 - ■■■■■■ - ■■ D1 |
| 368 | 3.9 | 8 000 | 65 000 | - | 4.30 | 12947137/35200 | ✓ | ✓ | ✓ | ✓ | ✓ | ✓ | ✓ | | 2KJ3535 - ■■■■■■ - ■■ C1 |
| 310.31 | 4.7 | 8 000 | 65 000 | - | 5.70 | 682689/2200 | ✓ | ✓ | ✓ | ✓ | ✓ | ✓ | ✓ | | 2KJ3535 - ■■■■■■ - ■■ B1 |
| 270.46 | 5.4 | 8 000 | 65 000 | - | 7.50 | 7437717/27500 | ✓ | ✓ | ✓ | ✓ | ✓ | ✓ | ✓ | | 2KJ3535 - ■■■■■■ - ■■ A1 |

¹⁾ Only in conjunction with reduced-backlash version

Selection and ordering data (continued)

| i | n ₂ rpm | T _{2N} Nm | F _{R2} N | φ ¹⁾ ' | J _G 10 ⁻⁴ kgm ² | R _{ex} - | Motor frame size | | | | | | | | Article No. |
|------------------|-----------------------|-----------------------|----------------------|----------------------|---|----------------------|------------------|----|----|----|-----|-----|-----|--------------------------|-------------|
| | | | | | | | 63 | 71 | 80 | 90 | 100 | 112 | 132 | 160 | |
| K.169-D49 | | | | | | | | | | | | | | | |
| 14 931 | 0.10 | 13 000 | 70 000 | - | 0.22 | 315340973/21120 | ✓ | ✓ | ✓ | ✓ | ✓ | ✓ | | 2KJ3538 - ■■■■■■ - ■■ H1 | |
| 13 078 | 0.11 | 13 000 | 70 000 | - | 0.26 | 13559661839/1036800 | ✓ | ✓ | ✓ | ✓ | ✓ | ✓ | | 2KJ3538 - ■■■■■■ - ■■ G1 | |
| 12 072 | 0.12 | 13 000 | 70 000 | - | 0.31 | 13559661839/1123200 | ✓ | ✓ | ✓ | ✓ | ✓ | ✓ | | 2KJ3538 - ■■■■■■ - ■■ F1 | |
| 10 689 | 0.14 | 13 000 | 70 000 | - | 0.38 | 12928979893/1209600 | ✓ | ✓ | ✓ | ✓ | ✓ | ✓ | ✓ | 2KJ3538 - ■■■■■■ - ■■ E1 | |
| 8 896 | 0.16 | 13 000 | 70 000 | - | 0.51 | 4099432649/460800 | ✓ | ✓ | ✓ | ✓ | ✓ | ✓ | ✓ | 2KJ3538 - ■■■■■■ - ■■ D1 | |
| 8 373 | 0.17 | 13 000 | 70 000 | - | 0.59 | 241143097/28800 | ✓ | ✓ | ✓ | ✓ | ✓ | ✓ | ✓ | 2KJ3538 - ■■■■■■ - ■■ C1 | |
| 7 502 | 0.19 | 13 000 | 70 000 | - | 0.66 | 11667616001/1555200 | ✓ | ✓ | ✓ | ✓ | ✓ | ✓ | ✓ | 2KJ3538 - ■■■■■■ - ■■ B1 | |
| 6 387 | 0.23 | 13 000 | 70 000 | - | 0.86 | 2207386811/345600 | ✓ | ✓ | ✓ | ✓ | ✓ | ✓ | ✓ | 2KJ3538 - ■■■■■■ - ■■ A1 | |
| K.169-Z49 | | | | | | | | | | | | | | | |
| 6 248 | 0.23 | 13 000 | 70 000 | - | 0.19 | 1799298493/288000 | ✓ | ✓ | ✓ | ✓ | | | | 2KJ3537 - ■■■■■■ - ■■ C2 | |
| 5 680 | 0.26 | 13 000 | 70 000 | - | 0.23 | 1799298493/316800 | ✓ | ✓ | ✓ | ✓ | | | | 2KJ3537 - ■■■■■■ - ■■ B2 | |
| 4 831 | 0.30 | 13 000 | 70 000 | - | 0.28 | 18549469/3840 | ✓ | ✓ | ✓ | ✓ | | | | 2KJ3537 - ■■■■■■ - ■■ A2 | |
| 4 391 | 0.33 | 13 000 | 70 000 | - | 0.34 | 18549469/4224 | ✓ | ✓ | ✓ | ✓ | | | | 2KJ3537 - ■■■■■■ - ■■ X1 | |
| 3 918 | 0.37 | 13 000 | 70 000 | - | 0.40 | 1354111237/345600 | ✓ | ✓ | ✓ | ✓ | ✓ | | | 2KJ3537 - ■■■■■■ - ■■ W1 | |
| 3 513 | 0.41 | 13 000 | 70 000 | - | 0.48 | 18549469/5280 | ✓ | ✓ | ✓ | ✓ | ✓ | | | 2KJ3537 - ■■■■■■ - ■■ V1 | |
| 3 167 | 0.46 | 13 000 | 70 000 | - | 0.57 | 1094418671/345600 | ✓ | ✓ | ✓ | ✓ | ✓ | | | 2KJ3537 - ■■■■■■ - ■■ U1 | |
| 2 923 | 0.50 | 13 000 | 70 000 | - | 0.67 | 1094418671/374400 | ✓ | ✓ | ✓ | ✓ | ✓ | | | 2KJ3537 - ■■■■■■ - ■■ T1 | |
| 2 668 | 0.54 | 13 000 | 70 000 | - | 0.80 | 537934601/201600 | ✓ | ✓ | ✓ | ✓ | ✓ | ✓ | | 2KJ3537 - ■■■■■■ - ■■ S1 | |
| 2 214 | 0.65 | 13 000 | 70 000 | - | 1.03 | 204044159/92160 | ✓ | ✓ | ✓ | ✓ | ✓ | ✓ | | 2KJ3537 - ■■■■■■ - ■■ R1 | |
| 2 084 | 0.70 | 13 000 | 70 000 | - | 1.19 | 204044159/97920 | ✓ | ✓ | ✓ | ✓ | ✓ | ✓ | | 2KJ3537 - ■■■■■■ - ■■ Q1 | |
| 1 968 | 0.74 | 13 000 | 70 000 | - | 1.35 | 204044159/103680 | ✓ | ✓ | ✓ | ✓ | ✓ | ✓ | | 2KJ3537 - ■■■■■■ - ■■ P1 | |
| 1 675 | 0.87 | 13 000 | 70 000 | - | 1.67 | 241143097/144000 | ✓ | ✓ | ✓ | ✓ | ✓ | ✓ | | 2KJ3537 - ■■■■■■ - ■■ N1 | |
| 1 435 | 1.0 | 13 000 | 70 000 | - | 2.10 | 908923981/633600 | | | ✓ | ✓ | ✓ | ✓ | | 2KJ3537 - ■■■■■■ - ■■ M1 | |
| 1 261 | 1.1 | 13 000 | 70 000 | - | 2.60 | 871825043/691200 | | | ✓ | ✓ | ✓ | ✓ | | 2KJ3537 - ■■■■■■ - ■■ L1 | |
| 1 064 | 1.4 | 13 000 | 70 000 | - | 3.30 | 352439911/331200 | | | ✓ | ✓ | ✓ | ✓ | | 2KJ3537 - ■■■■■■ - ■■ K1 | |
| 927 | 1.6 | 13 000 | 70 000 | - | 4.40 | 18549469/20000 | | | ✓ | ✓ | ✓ | ✓ | | 2KJ3537 - ■■■■■■ - ■■ J1 | |
| 915 | 1.6 | 13 000 | 70 000 | - | 1.98 | 279967567/306000 | ✓ | ✓ | ✓ | ✓ | ✓ | ✓ | | 2KJ3537 - ■■■■■■ - ■■ H1 | |
| 864 | 1.7 | 13 000 | 70 000 | - | 2.20 | 279967567/324000 | ✓ | ✓ | ✓ | ✓ | ✓ | ✓ | | 2KJ3537 - ■■■■■■ - ■■ G1 | |
| 735 | 2.0 | 13 000 | 70 000 | - | 2.90 | 330870761/450000 | ✓ | ✓ | ✓ | ✓ | ✓ | ✓ | | 2KJ3537 - ■■■■■■ - ■■ F1 | |
| 630 | 2.3 | 13 000 | 70 000 | - | 3.80 | 1247128253/1980000 | | | ✓ | ✓ | ✓ | ✓ | | 2KJ3537 - ■■■■■■ - ■■ E1 | |
| 554 | 2.6 | 13 000 | 70 000 | - | 4.70 | 1196225059/2160000 | | | ✓ | ✓ | ✓ | ✓ | | 2KJ3537 - ■■■■■■ - ■■ D1 | |
| 467 | 3.1 | 13 000 | 70 000 | - | 6.30 | 483580343/1035000 | | | ✓ | ✓ | ✓ | ✓ | | 2KJ3537 - ■■■■■■ - ■■ C1 | |
| 416 | 3.5 | 13 000 | 70 000 | - | 6.90 | 25840171/62100 | | | ✓ | ✓ | ✓ | ✓ | | 2KJ3537 - ■■■■■■ - ■■ B1 | |
| 363 | 4.0 | 13 000 | 70 000 | - | 9.10 | 1360009/3750 | | | ✓ | ✓ | ✓ | ✓ | | 2KJ3537 - ■■■■■■ - ■■ A1 | |

1) Only in conjunction with reduced-backlash version

SIMOGEAR geared motors

Bevel geared motors

Transmission ratios and torques for very low speeds

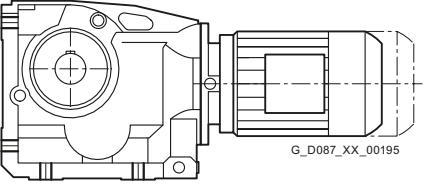
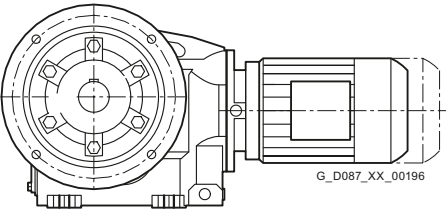
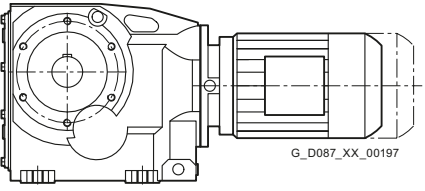
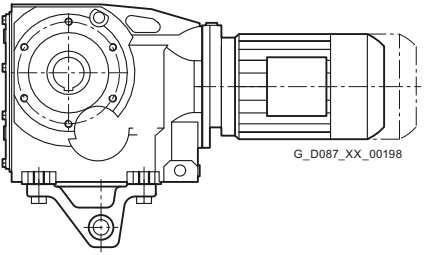
Selection and ordering data (continued)

| i | n_2 rpm | T_{2N} Nm | F_{R2} N | φ ¹⁾ | J_G 10 ⁻⁴ kgm ² | R_{ex} | Motor frame size | | | | | | | | Article No. |
|------------------|--------------|----------------|---------------|-------------------------|--|-----------------|------------------|----|----|----|-----|-----|-----|--------------------------|-------------|
| | | | | | | | 63 | 71 | 80 | 90 | 100 | 112 | 132 | 160 | |
| K.189-D69 | | | | | | | | | | | | | | | |
| 13 345 | 0.11 | 19 500 | 104 000 | - | 0.26 | 840736/63 | ✓ | ✓ | ✓ | ✓ | ✓ | ✓ | | 2KJ3541 - ■■■■■■ - ■■ G1 | |
| 12 318 | 0.12 | 19 500 | 104 000 | - | 0.32 | 258688/21 | ✓ | ✓ | ✓ | ✓ | ✓ | ✓ | | 2KJ3541 - ■■■■■■ - ■■ F1 | |
| 10 907 | 0.13 | 19 500 | 104 000 | - | 0.38 | 1603264/147 | ✓ | ✓ | ✓ | ✓ | ✓ | ✓ | ✓ | 2KJ3541 - ■■■■■■ - ■■ E1 | |
| 9 078 | 0.16 | 19 500 | 104 000 | - | 0.52 | 63544/7 | ✓ | ✓ | ✓ | ✓ | ✓ | ✓ | ✓ | 2KJ3541 - ■■■■■■ - ■■ D1 | |
| 8 544 | 0.17 | 19 500 | 104 000 | - | 0.61 | 1016704/119 | ✓ | ✓ | ✓ | ✓ | ✓ | ✓ | ✓ | 2KJ3541 - ■■■■■■ - ■■ C1 | |
| 7 655 | 0.19 | 19 500 | 104 000 | - | 0.67 | 1446848/189 | ✓ | ✓ | ✓ | ✓ | ✓ | ✓ | ✓ | 2KJ3541 - ■■■■■■ - ■■ B1 | |
| 6 517 | 0.22 | 19 500 | 104 000 | - | 0.89 | 19552/3 | ✓ | ✓ | ✓ | ✓ | ✓ | ✓ | ✓ | 2KJ3541 - ■■■■■■ - ■■ A1 | |
| K.189-Z69 | | | | | | | | | | | | | | | |
| 6 375 | 0.23 | 19 500 | 104 000 | - | 0.21 | 3793088/595 | ✓ | ✓ | ✓ | ✓ | | | | 2KJ3540 - ■■■■■■ - ■■ C2 | |
| 5 795 | 0.25 | 19 500 | 104 000 | - | 0.26 | 7586176/1309 | ✓ | ✓ | ✓ | ✓ | | | | 2KJ3540 - ■■■■■■ - ■■ B2 | |
| 4 929 | 0.29 | 19 500 | 104 000 | - | 0.32 | 586560/119 | ✓ | ✓ | ✓ | ✓ | | | | 2KJ3540 - ■■■■■■ - ■■ A2 | |
| 4 481 | 0.32 | 19 500 | 104 000 | - | 0.39 | 5865600/1309 | ✓ | ✓ | ✓ | ✓ | | | | 2KJ3540 - ■■■■■■ - ■■ X1 | |
| 3 998 | 0.36 | 19 500 | 104 000 | - | 0.46 | 1427296/357 | ✓ | ✓ | ✓ | ✓ | ✓ | ✓ | | 2KJ3540 - ■■■■■■ - ■■ W1 | |
| 3 585 | 0.40 | 19 500 | 104 000 | - | 0.56 | 4692480/1309 | ✓ | ✓ | ✓ | ✓ | ✓ | ✓ | | 2KJ3540 - ■■■■■■ - ■■ V1 | |
| 3 231 | 0.45 | 19 500 | 104 000 | - | 0.66 | 1153568/357 | ✓ | ✓ | ✓ | ✓ | ✓ | ✓ | | 2KJ3540 - ■■■■■■ - ■■ U1 | |
| 2 983 | 0.49 | 19 500 | 104 000 | - | 0.78 | 354944/119 | ✓ | ✓ | ✓ | ✓ | ✓ | ✓ | | 2KJ3540 - ■■■■■■ - ■■ T1 | |
| 2 723 | 0.53 | 19 500 | 104 000 | - | 0.93 | 2268032/833 | ✓ | ✓ | ✓ | ✓ | ✓ | ✓ | ✓ | 2KJ3540 - ■■■■■■ - ■■ S1 | |
| 2 259 | 0.64 | 19 500 | 104 000 | - | 1.23 | 268840/119 | ✓ | ✓ | ✓ | ✓ | ✓ | ✓ | ✓ | 2KJ3540 - ■■■■■■ - ■■ R1 | |
| 2 126 | 0.68 | 19 500 | 104 000 | - | 1.41 | 4301440/2023 | ✓ | ✓ | ✓ | ✓ | ✓ | ✓ | ✓ | 2KJ3540 - ■■■■■■ - ■■ Q1 | |
| 2 008 | 0.72 | 19 500 | 104 000 | - | 1.59 | 2150720/1071 | ✓ | ✓ | ✓ | ✓ | ✓ | ✓ | ✓ | 2KJ3540 - ■■■■■■ - ■■ P1 | |
| 1 709 | 0.85 | 19 500 | 104 000 | - | 2.0 | 1016704/595 | ✓ | ✓ | ✓ | ✓ | ✓ | ✓ | ✓ | 2KJ3540 - ■■■■■■ - ■■ N1 | |
| 1 464 | 0.99 | 19 500 | 104 000 | - | 2.5 | 273728/187 | | | ✓ | ✓ | ✓ | ✓ | ✓ | 2KJ3540 - ■■■■■■ - ■■ M1 | |
| 1 287 | 1.1 | 19 500 | 104 000 | - | 3.2 | 459472/357 | | | ✓ | ✓ | ✓ | ✓ | ✓ | 2KJ3540 - ■■■■■■ - ■■ L1 | |
| 1 086 | 1.3 | 19 500 | 104 000 | - | 4.1 | 2971904/2737 | | | ✓ | ✓ | ✓ | ✓ | ✓ | 2KJ3540 - ■■■■■■ - ■■ K1 | |
| 946 | 1.5 | 19 500 | 104 000 | - | 5.5 | 2815488/2975 | | | ✓ | ✓ | ✓ | ✓ | ✓ | 2KJ3540 - ■■■■■■ - ■■ J1 | |
| 889 | 1.6 | 19 500 | 104 000 | - | 3.1 | 3128320/3519 | ✓ | ✓ | ✓ | ✓ | ✓ | ✓ | ✓ | 2KJ3540 - ■■■■■■ - ■■ H1 | |
| 756 | 1.9 | 19 500 | 104 000 | - | 4.0 | 16267264/21505 | ✓ | ✓ | ✓ | ✓ | ✓ | ✓ | ✓ | 2KJ3540 - ■■■■■■ - ■■ G1 | |
| 648 | 2.2 | 19 500 | 104 000 | - | 5.3 | 30657536/47311 | | | ✓ | ✓ | ✓ | ✓ | ✓ | 2KJ3540 - ■■■■■■ - ■■ F1 | |
| 570 | 2.5 | 19 500 | 104 000 | - | 6.7 | 7351552/12903 | | | ✓ | ✓ | ✓ | ✓ | ✓ | 2KJ3540 - ■■■■■■ - ■■ E1 | |
| 481 | 3.0 | 19 500 | 104 000 | - | 9.1 | 47550464/98923 | | | ✓ | ✓ | ✓ | ✓ | ✓ | 2KJ3540 - ■■■■■■ - ■■ D1 | |
| 419 | 3.5 | 19 500 | 104 000 | - | 12 | 45047808/107525 | | | ✓ | ✓ | ✓ | ✓ | ✓ | 2KJ3540 - ■■■■■■ - ■■ C1 | |
| 384 | 3.8 | 19 500 | 104 000 | - | 11 | 37948928/98923 | | | ✓ | ✓ | ✓ | ✓ | ✓ | 2KJ3540 - ■■■■■■ - ■■ B1 | |
| 334.36 | 4.3 | 19 500 | 104 000 | - | 14 | 35951616/107525 | | | ✓ | ✓ | ✓ | ✓ | ✓ | 2KJ3540 - ■■■■■■ - ■■ A1 | |

¹⁾ Only in conjunction with reduced-backlash version

Dimensional drawing overview

 Information about dimensional drawings can be found in chapter [Introduction on page 1/21](#).

| Design | Size | Dimensional drawing on page | |
|---|---|-----------------------------|------|
| Foot-mounted design | | | |
|  | B..19 | 5/75 | |
| | B..29 | 5/79 | |
| | B..39 | 5/83 | |
| | B..49 | 5/87 | |
| | K..39 | 5/91 | |
| | K..49 | 5/95 | |
| | K..69 | 5/99 | |
| | K..79 | 5/103 | |
| | K..89 | 5/107 | |
| | K..109 | 5/111 | |
| | K..129 | 5/115 | |
| | K..149 | 5/119 | |
| | K..169 | 5/123 | |
| | K..189 | 5/127 | |
| | Flange-mounted design | | |
| |  | B.F.19 | 5/76 |
| B.F.29 | | 5/80 | |
| B.F.39 | | 5/84 | |
| B.F.49 | | 5/88 | |
| K.F.39 | | 5/92 | |
| K.F.49 | | 5/96 | |
| K.F.69 | | 5/100 | |
| K.F.79 | | 5/104 | |
| K.F.89 | | 5/108 | |
| K.F.109 | | 5/112 | |
| K.F.129 | | 5/116 | |
| K.F.149 | | 5/120 | |
| K.F.169 | | 5/124 | |
| K.F.189 | | 5/128 | |
| Housing flange design | | | |
|  | | B.Z.19 | 5/77 |
| | B.Z.29 | 5/81 | |
| | B.Z.39 | 5/85 | |
| | B.Z.49 | 5/89 | |
| | K.Z.39 | 5/93 | |
| | K.Z.49 | 5/97 | |
| | K.Z.69 | 5/101 | |
| | K.Z.79 | 5/105 | |
| | K.Z.89 | 5/109 | |
| | K.Z.109 | 5/113 | |
| | K.Z.129 | 5/117 | |
| | K.Z.149 | 5/121 | |
| | K.Z.169 | 5/125 | |
| | K.Z.189 | 5/129 | |
| | Shaft-mounted design | | |
| |  | BAD.19 | 5/78 |
| BAD.29 | | 5/82 | |
| BAD.39 | | 5/86 | |
| BAD.49 | | 5/90 | |
| KAD.39 | | 5/94 | |
| KAD.49 | | 5/98 | |
| KAD.69 | | 5/102 | |
| KAD.79 | | 5/106 | |
| KAD.89 | | 5/110 | |
| KAD.109 | | 5/114 | |
| KAD.129 | | 5/118 | |
| KAD.149 | | 5/122 | |
| KAD.169 | | 5/126 | |
| KAD.189 | | 5/130 | |

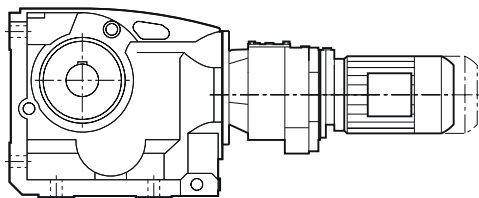
SIMOGEAR geared motors

Bevel geared motors

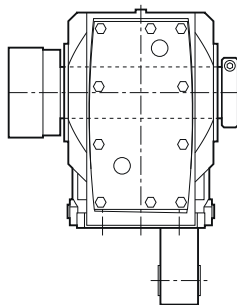
Dimensions**Dimensional drawing overview** (continued)

| Design | Size | Dimensional drawing on page |
|-----------------------------------|------|-----------------------------|
| Bevel tandem geared motors | | |

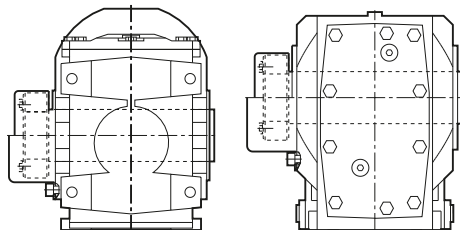
K.39-D/Z19 ... K.189-D/Z69 5/131

**Additional versions and options****SIMOLOC assembly system**

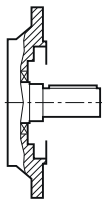
BADR29 ... BADR49 5/132 ... 5/133
 KADR39 ... BADR89

**Protection covers**

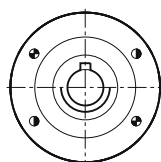
BA.19 ... KA.189 5/134 ... 5/135

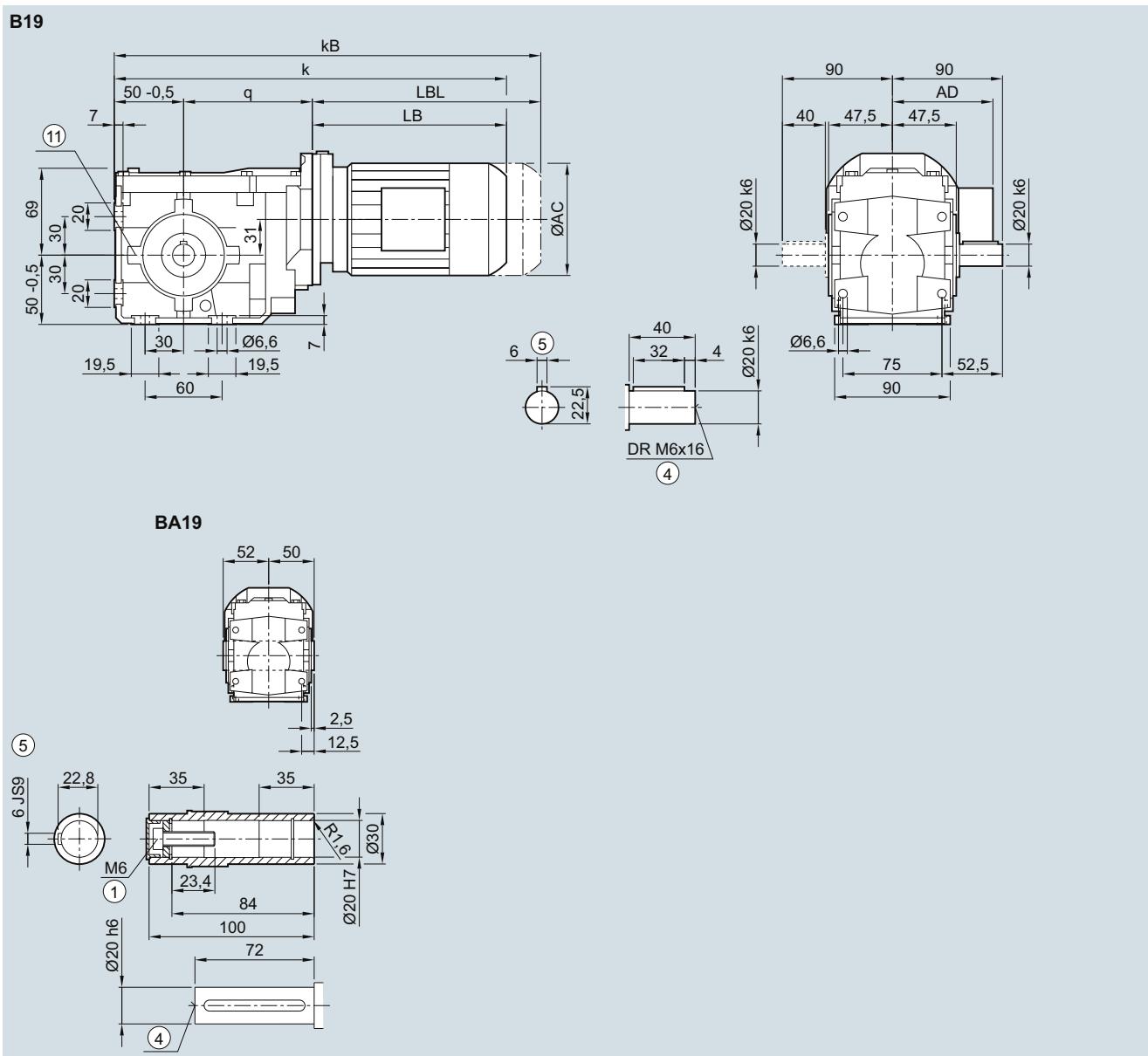
**Inner contour of the flange design**

BF19 ... KF189 5/136
 BAF19 ... KAF189

**Pin holes**

K.Z.109 and K.Z.129 5/137



B..19 gearbox in a foot-mounted design
B030, BA030


| Motor | LA 63 | 71 | 71Z | LE 80 | 80Z |
|------------------|----------|-------|-------|----------|-------|
| q | 133.0 | 141.0 | 141.0 | 149.5 | 149.5 |
| AC | 117.8 | 138.8 | 138.8 | 156.3 | 156.3 |
| AD ¹⁾ | 124.0 | 134.0 | 134.0 | 149.2 | 149.2 |
| k | 343.5 | 375.5 | 394.5 | 439.5 | 474.5 |
| kB | 388.0 | 430.5 | 449.5 | 499.5 | 534.5 |
| LB | 160.5 | 184.5 | 203.5 | 240.0 | 275.0 |
| LBL | 205.0 | 239.5 | 258.5 | 300.0 | 335.0 |

① ISO 4014

④ DIN 332

⑤ Feather key/keyway DIN 6885-1

1) AD depends on the motor options, for other dimensions see page 8/36.

⑥ Use bores only for housing flange design

SIMOGEAR geared motors

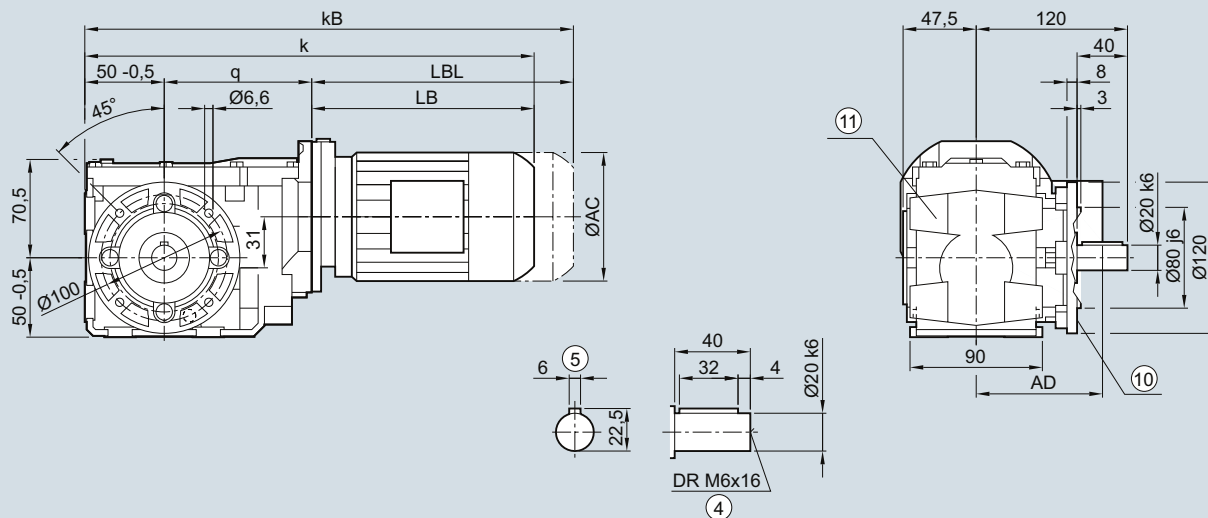
Bevel geared motors

Dimensions

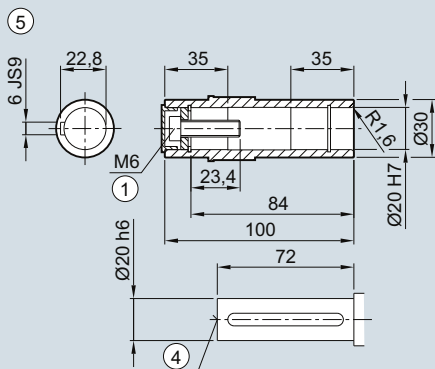
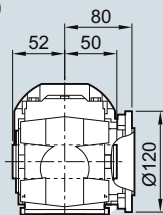
B.F.19 gearbox in a flange-mounted design

BF030, BAF030

BF19



BAF19



| Motor | LA 63 | 71 | 71Z | LE 80 | 80Z |
|------------------|----------|-------|-------|----------|-------|
| q | 133.0 | 141.0 | 141.0 | 149.5 | 149.5 |
| AC | 117.8 | 138.8 | 138.8 | 156.3 | 156.3 |
| AD ¹⁾ | 124.0 | 134.0 | 134.0 | 149.2 | 149.2 |
| k | 343.5 | 375.5 | 394.5 | 439.5 | 474.5 |
| kB | 388.0 | 430.5 | 449.5 | 499.5 | 534.5 |
| LB | 160.5 | 184.5 | 203.5 | 240.0 | 275.0 |
| LBL | 205.0 | 239.5 | 258.5 | 300.0 | 335.0 |

① ISO 4014

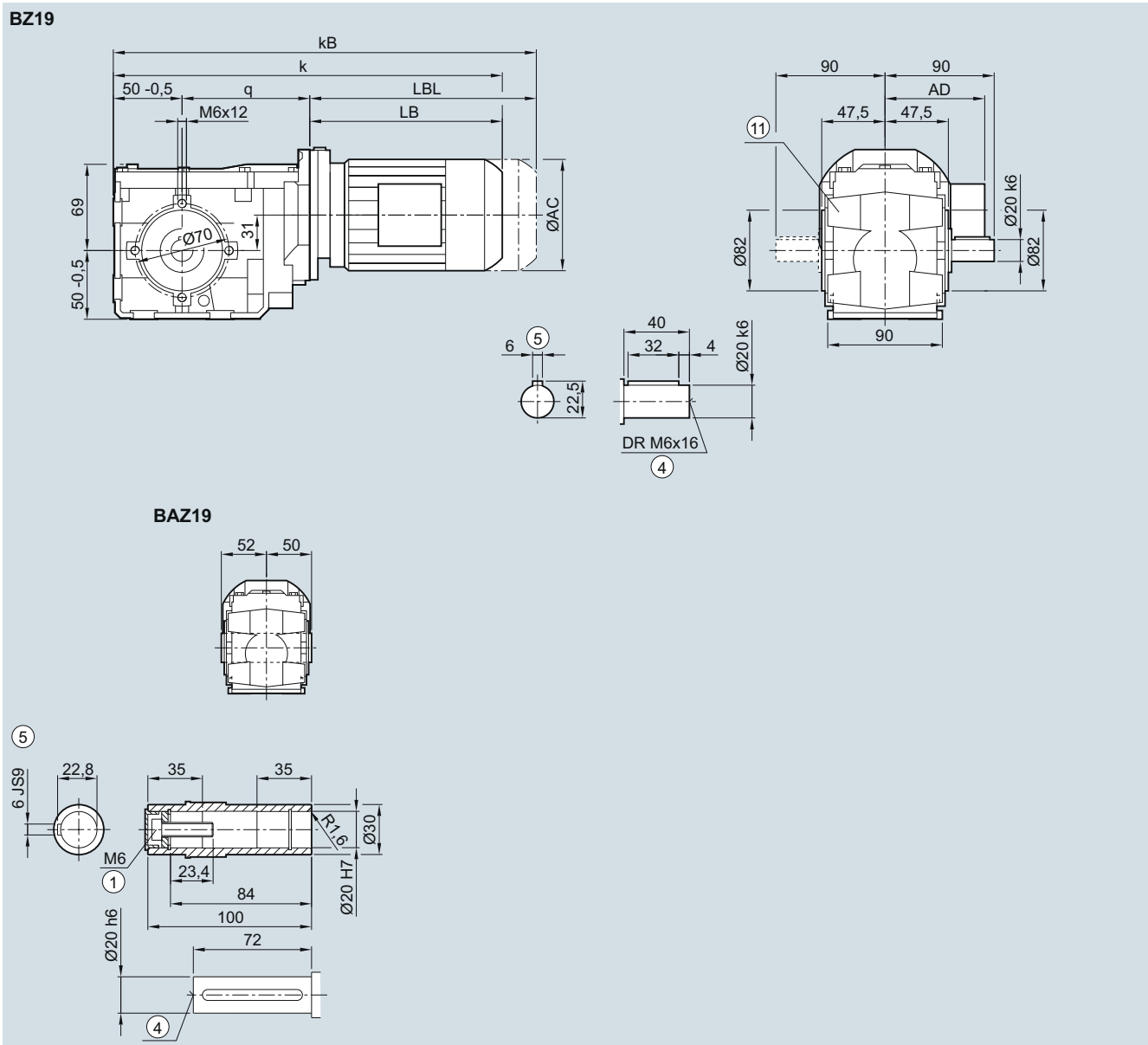
④ DIN 332

⑤ Feather key/keyway DIN 6885-1

⑩ For inner contour see page 5/136

¹⁾ AD depends on the motor options, for other dimensions see page 8/36.

⑪ Use bores only for foot-mounted design

B.Z.19 gearbox in a housing flange design
BZ030, BAZ030


5

| Motor | LA 63 | 71 | 71Z | LE 80 | 80Z |
|------------------|----------|-------|-------|----------|-------|
| q | 133.0 | 141.0 | 141.0 | 149.5 | 149.5 |
| AC | 117.8 | 138.8 | 138.8 | 156.3 | 156.3 |
| AD ¹⁾ | 124.0 | 134.0 | 134.0 | 149.2 | 149.2 |
| k | 343.5 | 375.5 | 394.5 | 439.5 | 474.5 |
| kB | 388.0 | 430.5 | 449.5 | 499.5 | 534.5 |
| LB | 160.5 | 184.5 | 203.5 | 240.0 | 275.0 |
| LBL | 205.0 | 239.5 | 258.5 | 300.0 | 335.0 |

① ISO 4014

④ DIN 332

⑤ Feather key/keyway DIN 6885-1

1) AD depends on the motor options, for other dimensions see page 8/36.

⑩ Use bores only for foot-mounted design

SIMOGEAR geared motors

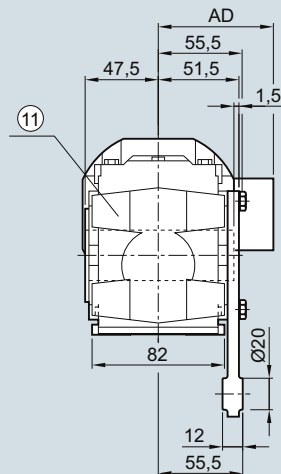
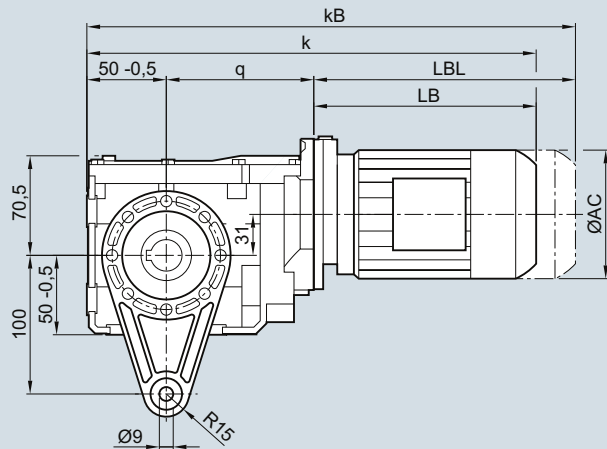
Bevel geared motors

Dimensions

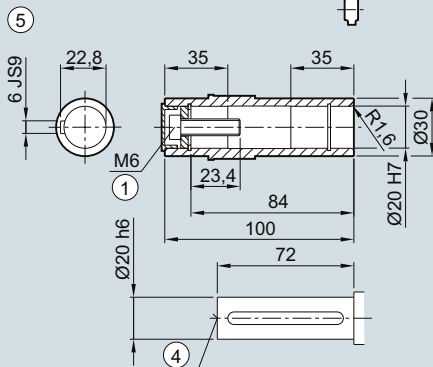
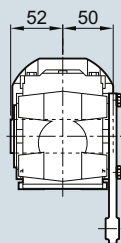
BAD.19 gearbox in a shaft-mounted design

BAD030

BAD19



BAD19



| Motor | LA 63 | 71 | 71Z | LE 80 | 80Z |
|------------------|----------|-------|-------|----------|-------|
| q | 133.0 | 141.0 | 141.0 | 149.5 | 149.5 |
| AC | 117.8 | 138.8 | 138.8 | 156.3 | 156.3 |
| AD ¹⁾ | 124.0 | 134.0 | 134.0 | 149.2 | 149.2 |
| k | 343.5 | 375.5 | 394.5 | 439.5 | 474.5 |
| kB | 388.0 | 430.5 | 449.5 | 499.5 | 534.5 |
| LB | 160.5 | 184.5 | 203.5 | 240.0 | 275.0 |
| LBL | 205.0 | 239.5 | 258.5 | 300.0 | 335.0 |

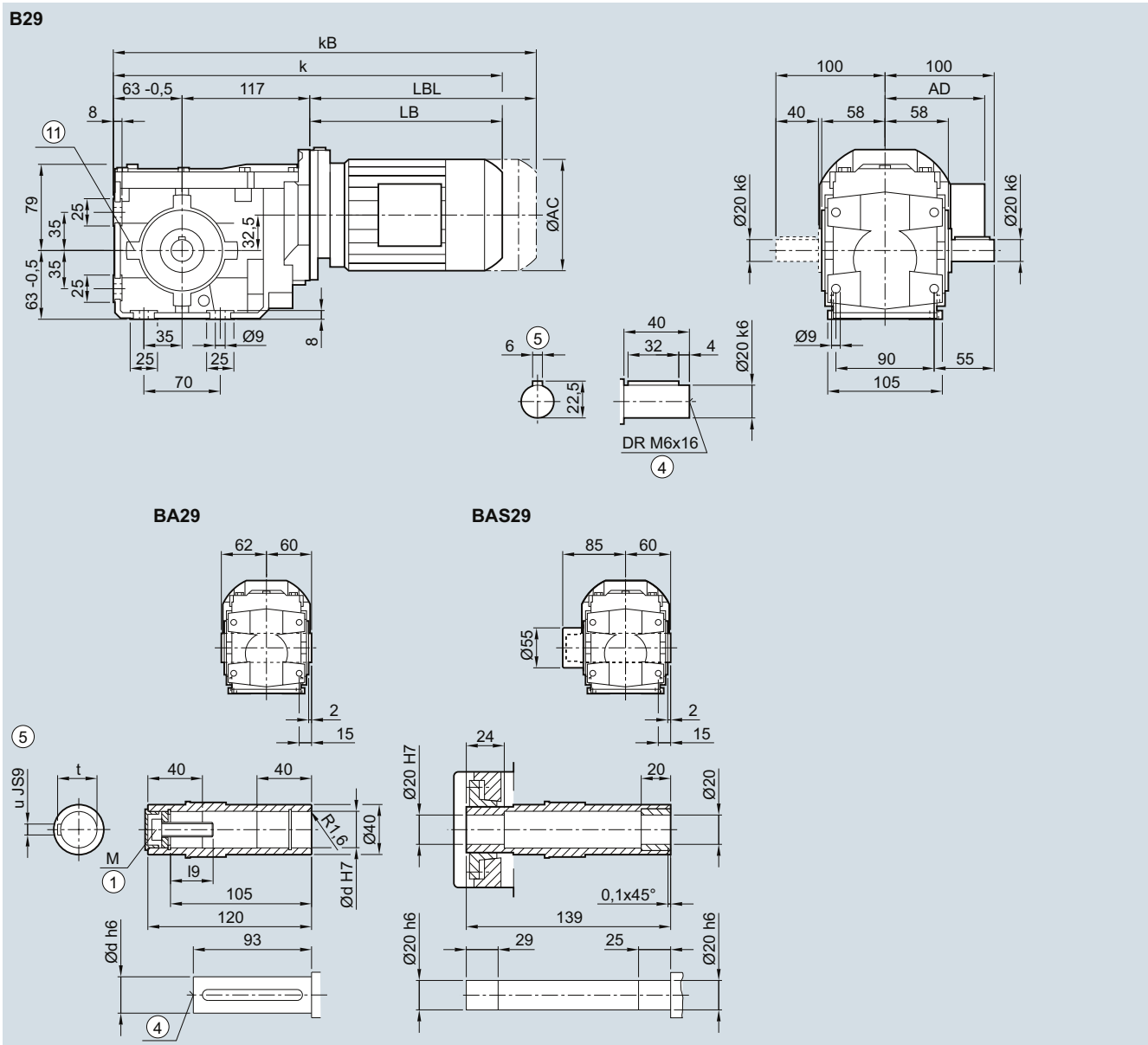
① ISO 4014

④ DIN 332

⑤ Feather key/keyway DIN 6885-1

¹⁾ AD depends on the motor options, for other dimensions see page 8/36.

⑩ Use bores only for foot-mounted design

B..29 gearbox in a foot-mounted design
B030, BA030, BAS030


| Shaft | d | I9 | M | t | u |
|-------|----|------|-----|------|---|
| | 20 | 23.4 | M6 | 22.8 | 6 |
| | 25 | 27.6 | M10 | 28.3 | 8 |

| Motor | LA 63 | 71 | 71Z | LE 80 | 80Z | 90 | 90Z | 100 | 100Z |
|------------------|-------|-------|-------|-------|-------|-------|-------|-------|-------|
| AC | 117.8 | 138.8 | 138.8 | 156.3 | 156.3 | 173.8 | 173.8 | 198.0 | 198.0 |
| AD ¹⁾ | 124.0 | 134.0 | 134.0 | 149.2 | 149.2 | 154.2 | 154.2 | 170.5 | 170.5 |
| k | 374.0 | 406.0 | 425.0 | 470.0 | 505.0 | 531.5 | 571.5 | 588.0 | 623.0 |
| kB | 418.5 | 461.0 | 480.0 | 530.0 | 565.0 | 601.5 | 641.5 | 666.5 | 701.5 |
| LB | 194.0 | 226.0 | 245.0 | 290.0 | 325.0 | 351.5 | 391.5 | 408.0 | 443.0 |
| LBL | 238.5 | 281.0 | 300.0 | 350.0 | 385.0 | 421.5 | 461.5 | 486.5 | 521.5 |

① ISO 4014

④ DIN 332

⑤ Feather key/keyway DIN 6885-1

1) AD depends on the motor options, for other dimensions see page 8/36.

⑥ Use bores only for housing flange design

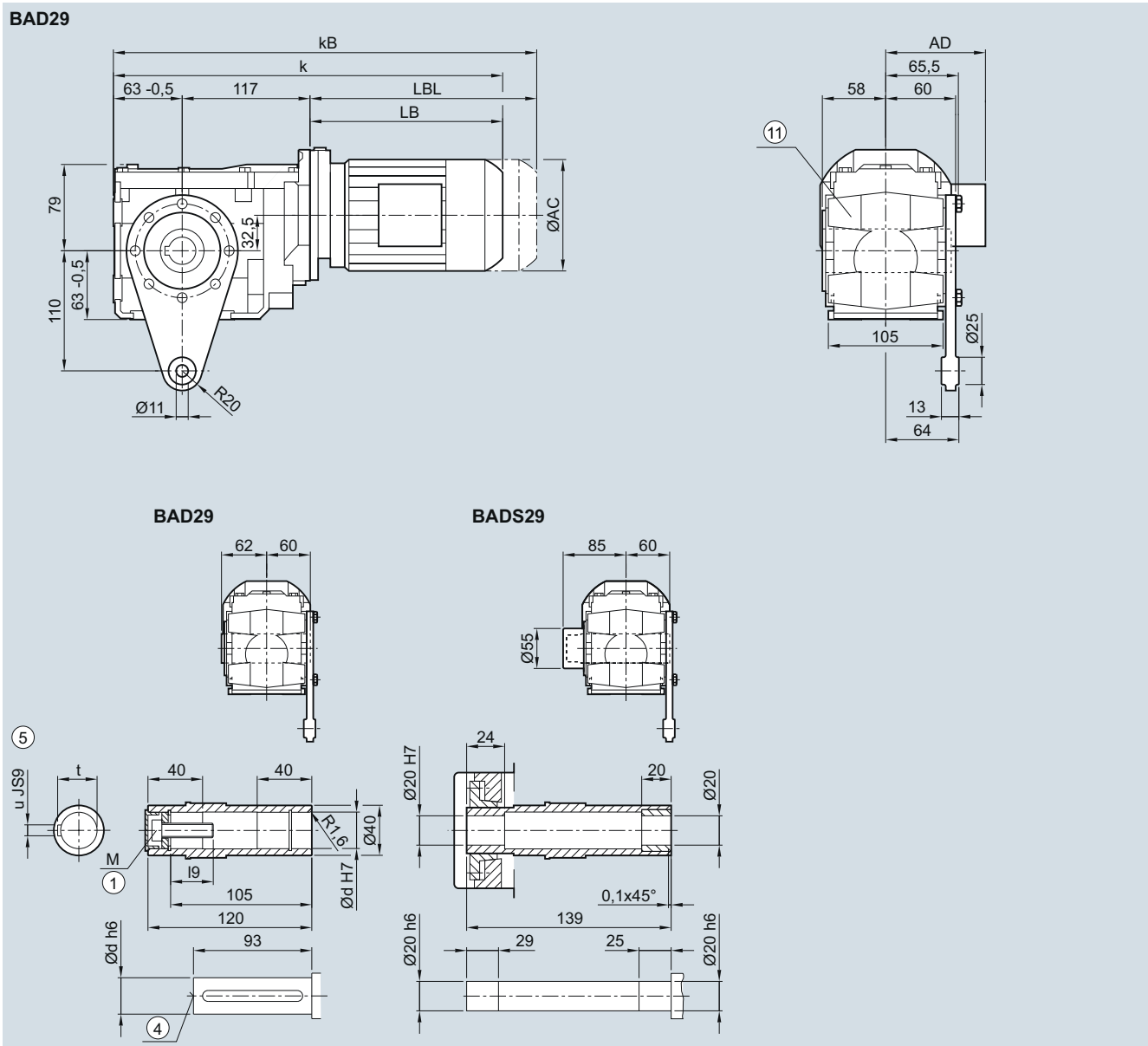
SIMOGEAR geared motors

Bevel geared motors

Dimensions

BAD.29 gearbox in a shaft-mounted design

BAD030, BADS030



| Shaft | d | l9 | M | t | u |
|-------|----|------|-----|------|---|
| | 20 | 23.4 | M6 | 22.8 | 6 |
| | 25 | 27.6 | M10 | 28.3 | 8 |

| Motor | LA 63 | 71 | 71Z | LE 80 | 80Z | 90 | 90Z | 100 | 100Z |
|------------------|-------|-------|-------|-------|-------|-------|-------|-------|-------|
| AC | 117.8 | 138.8 | 138.8 | 156.3 | 156.3 | 173.8 | 173.8 | 198.0 | 198.0 |
| AD ¹⁾ | 124.0 | 134.0 | 134.0 | 149.2 | 149.2 | 154.2 | 154.2 | 170.5 | 170.5 |
| k | 374.0 | 406.0 | 425.0 | 470.0 | 505.0 | 531.5 | 571.5 | 588.0 | 623.0 |
| kB | 418.5 | 461.0 | 480.0 | 530.0 | 565.0 | 601.5 | 641.5 | 666.5 | 701.5 |
| LB | 194.0 | 226.0 | 245.0 | 290.0 | 325.0 | 351.5 | 391.5 | 408.0 | 443.0 |
| LBL | 238.5 | 281.0 | 300.0 | 350.0 | 385.0 | 421.5 | 461.5 | 486.5 | 521.5 |

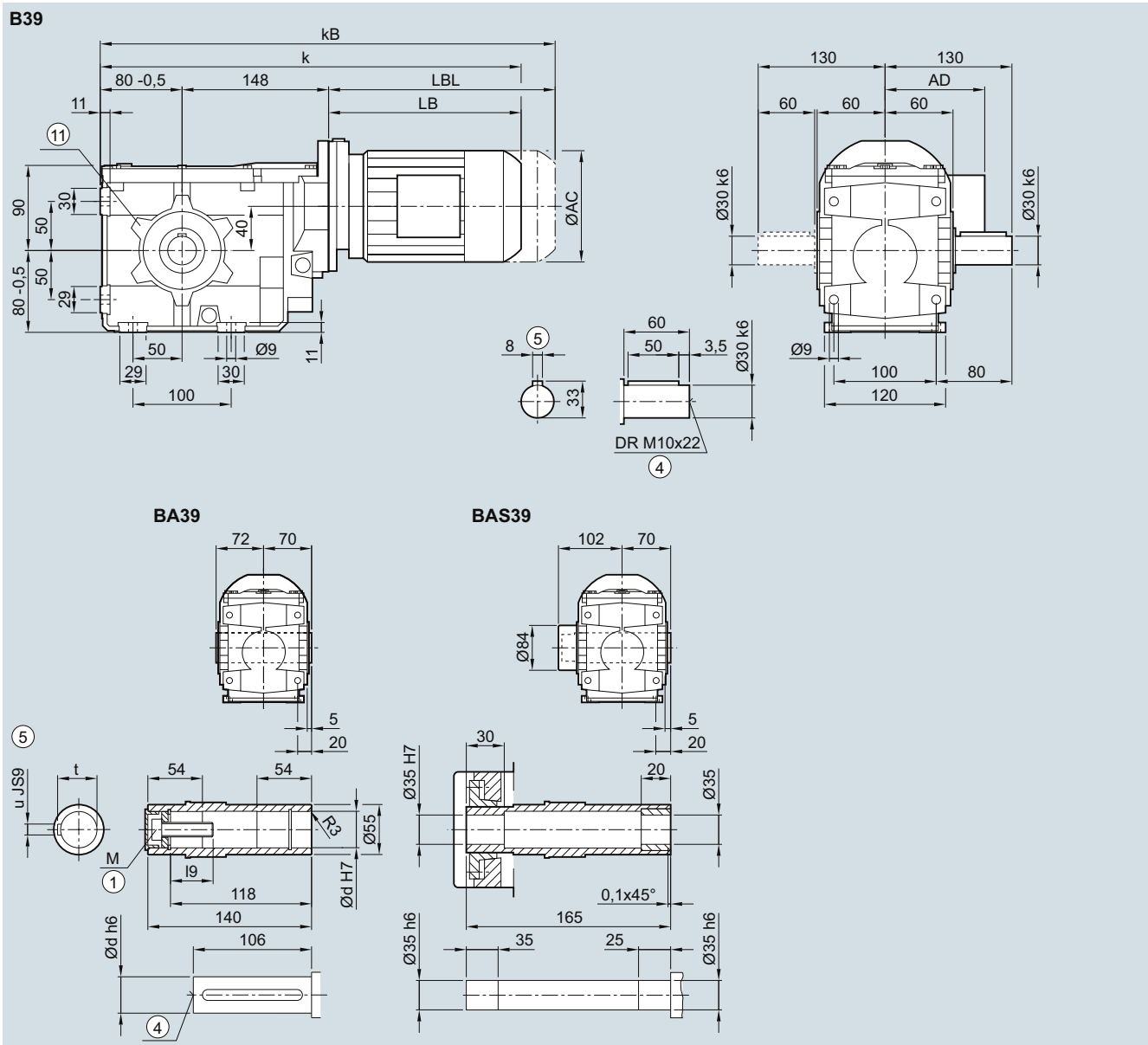
① ISO 4014

④ DIN 332

⑤ Feather key/keyway DIN 6885-1

1) AD depends on the motor options, for other dimensions see page 8/36.

⑩ Use bores only for foot-mounted design

B..39 gearbox in a foot-mounted design
B030, BA030, BAS030


| Shaft | d | l9 | M | t | u |
|-------|----|-------|-----|------|----|
| | 30 | 32.6 | M10 | 33.3 | 8 |
| | 35 | 37 | M12 | 38.3 | 10 |
| | 40 | 47.75 | M16 | 43.3 | 12 |

| Motor | LA 63 | 71 | 71Z | LE 80 | 80Z | 90 | 90Z | 100 | 100Z | 112 | 112Z |
|------------------|-------|-------|-------|-------|-------|-------|-------|-------|-------|-------|-------|
| AC | 117.8 | 138.8 | 138.8 | 156.3 | 156.3 | 173.8 | 173.8 | 198.0 | 198.0 | 222.0 | 222.0 |
| AD ¹⁾ | 124.0 | 134.0 | 134.0 | 149.2 | 149.2 | 154.2 | 154.2 | 170.5 | 170.5 | 181.5 | 181.5 |
| k | 422.0 | 454.0 | 473.0 | 518.0 | 553.0 | 579.5 | 619.5 | 636.0 | 671.0 | 646.0 | 671.0 |
| kB | 466.5 | 509.0 | 528.0 | 578.0 | 613.0 | 649.5 | 689.5 | 714.5 | 749.5 | 719.0 | 744.0 |
| LB | 194.0 | 226.0 | 245.0 | 290.0 | 325.0 | 351.5 | 391.5 | 408.0 | 443.0 | 418.0 | 443.0 |
| LBL | 238.5 | 281.0 | 300.0 | 350.0 | 385.0 | 421.5 | 461.5 | 486.5 | 521.5 | 491.0 | 516.0 |

① ISO 4014

④ DIN 332

⑤ Feather key/keyway DIN 6885-1

1) AD depends on the motor options, for other dimensions see page 8/36.

⑥ Use bores only for housing flange design

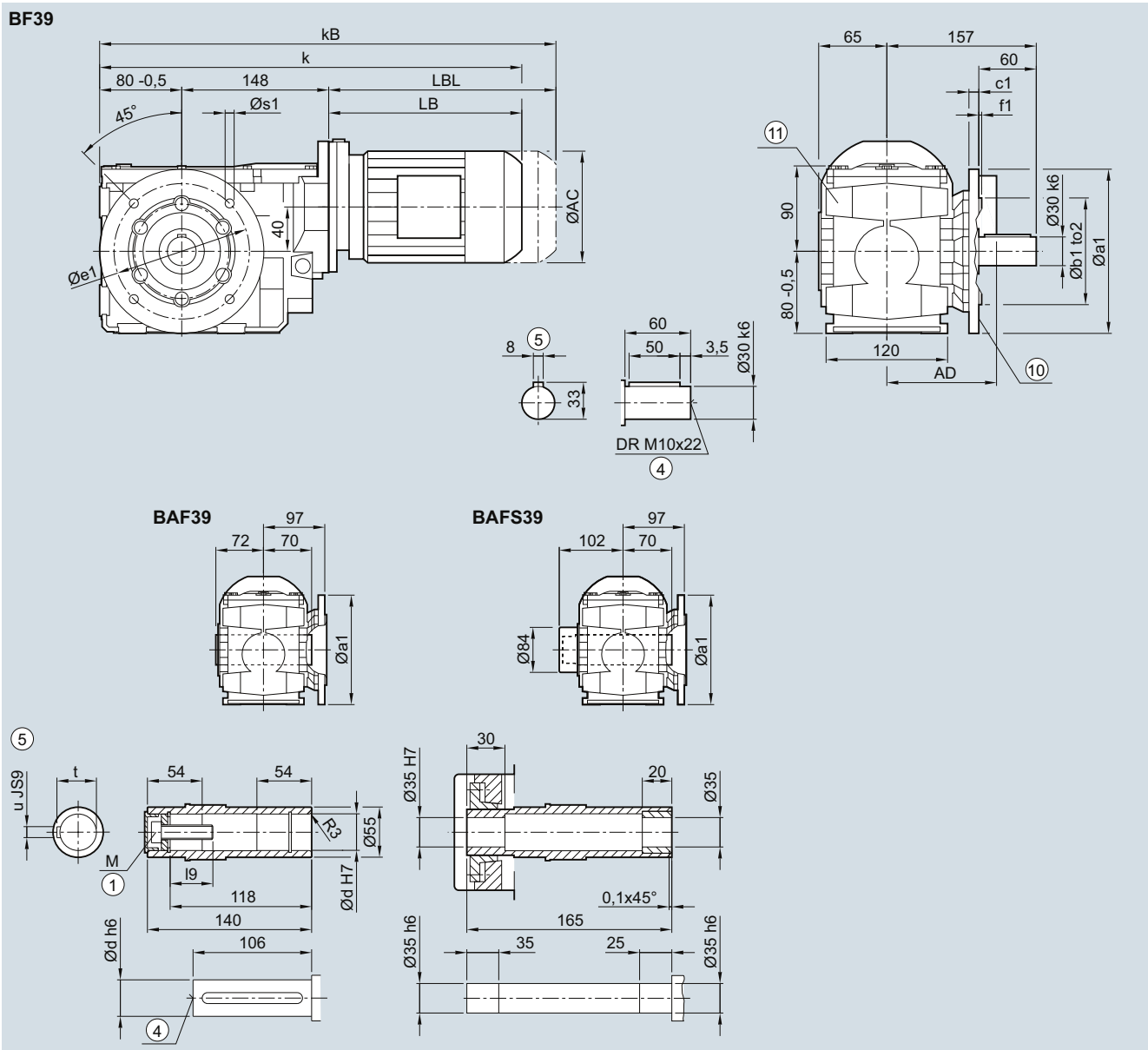
SIMOGEAR geared motors

Bevel geared motors

Dimensions

B.F.39 gearbox in a flange-mounted design

BF030, BAF030, BAFS030



| Flange | a1 | b1 | c1 | f1 | e1 | s | to2 | | | | |
|------------------|-------|-------|-------|-------|-------|-------|-------|-------|-------|-------|-------|
| | 160 | 110 | 10 | 3.5 | 130 | 9 | j6 | | | | |
| | 200 | 130 | 12 | 3.5 | 165 | 11 | j6 | | | | |
| Shaft | d | l9 | M | t | u | | | | | | |
| | 30 | 32.6 | M10 | 33.3 | 8 | | | | | | |
| | 35 | 37 | M12 | 38.3 | 10 | | | | | | |
| | 40 | 47.75 | M16 | 43.3 | 12 | | | | | | |
| Motor | LA 63 | 71 | 71Z | LE 80 | 80Z | 90 | 90Z | 100 | 100Z | 112 | 112Z |
| AC | 117.8 | 138.8 | 138.8 | 156.3 | 156.3 | 173.8 | 173.8 | 198.0 | 198.0 | 222.0 | 222.0 |
| AD ¹⁾ | 124.0 | 134.0 | 134.0 | 149.2 | 149.2 | 154.2 | 154.2 | 170.5 | 170.5 | 181.5 | 181.5 |
| k | 422.0 | 454.0 | 473.0 | 518.0 | 553.0 | 579.5 | 619.5 | 636.0 | 671.0 | 646.0 | 671.0 |
| kB | 466.5 | 509.0 | 528.0 | 578.0 | 613.0 | 649.5 | 689.5 | 714.5 | 749.5 | 719.0 | 744.0 |
| LB | 194.0 | 226.0 | 245.0 | 290.0 | 325.0 | 351.5 | 391.5 | 408.0 | 443.0 | 418.0 | 443.0 |
| LBL | 238.5 | 281.0 | 300.0 | 350.0 | 385.0 | 421.5 | 461.5 | 486.5 | 521.5 | 491.0 | 516.0 |

① ISO 4014

④ DIN 332

⑤ Feather key/keyway DIN 6885-1

⑩ For inner contour see page 5/136

1) AD depends on the motor options, for other dimensions see page 8/36.

⑪ Use bores only for foot-mounted design

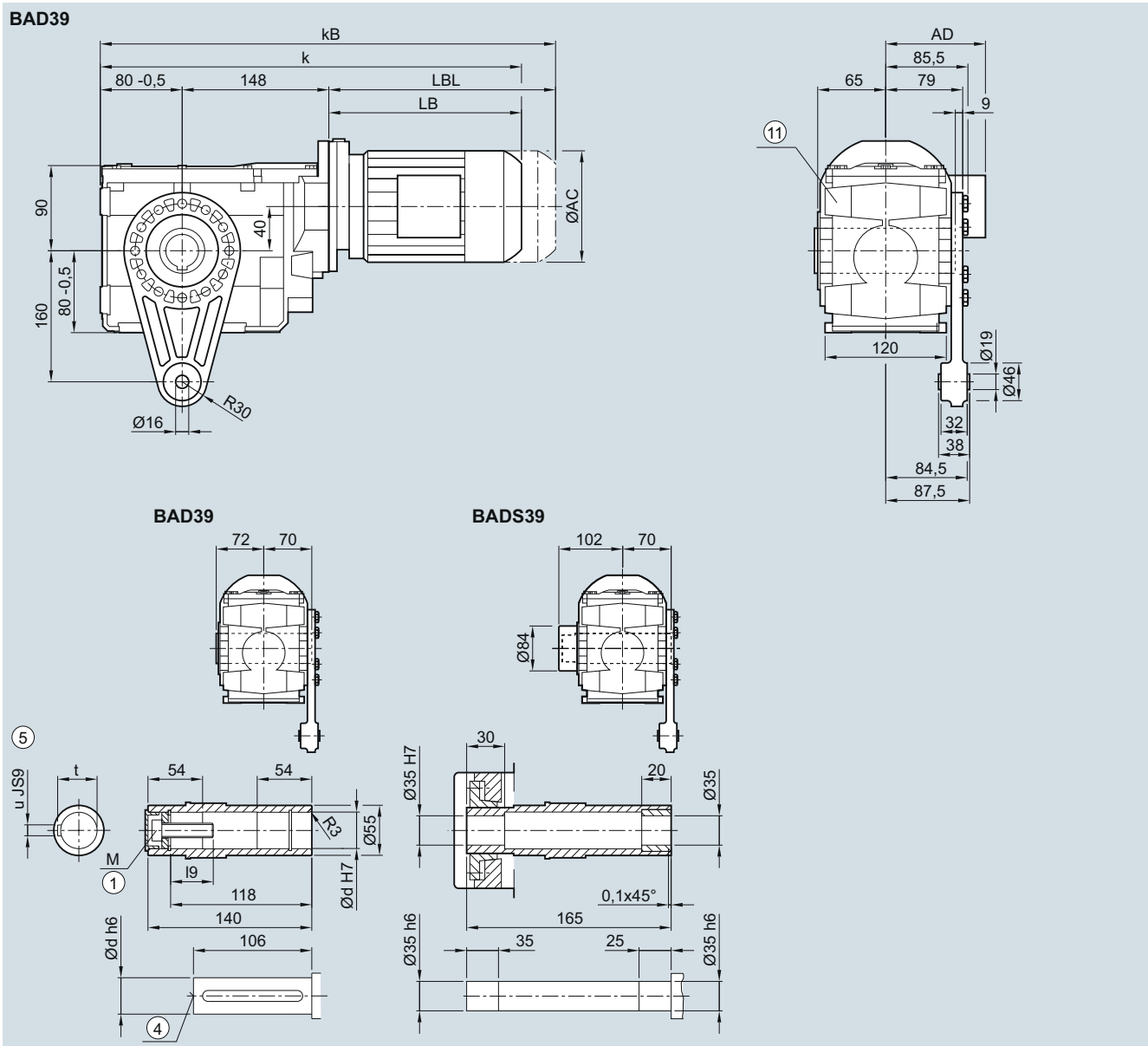
SIMOGEAR geared motors

Bevel geared motors

Dimensions

BAD.39 gearbox in a shaft-mounted design

BAD030, BADS030



| Shaft | d | l9 | M | t | u |
|-------|----|-------|-----|------|----|
| | 30 | 32.6 | M10 | 33.3 | 8 |
| | 35 | 37 | M12 | 38.3 | 10 |
| | 40 | 47.75 | M16 | 43.3 | 12 |

| Motor | LA 63 | 71 | 71Z | LE 80 | 80Z | 90 | 90Z | 100 | 100Z | 112 | 112Z |
|------------------|-------|-------|-------|-------|-------|-------|-------|-------|-------|-------|-------|
| AC | 117.8 | 138.8 | 138.8 | 156.3 | 156.3 | 173.8 | 173.8 | 198.0 | 198.0 | 222.0 | 222.0 |
| AD ¹⁾ | 124.0 | 134.0 | 134.0 | 149.2 | 149.2 | 154.2 | 154.2 | 170.5 | 170.5 | 181.5 | 181.5 |
| k | 422.0 | 454.0 | 473.0 | 518.0 | 553.0 | 579.5 | 619.5 | 636.0 | 671.0 | 646.0 | 671.0 |
| kB | 466.5 | 509.0 | 528.0 | 578.0 | 613.0 | 649.5 | 689.5 | 714.5 | 749.5 | 719.0 | 744.0 |
| LB | 194.0 | 226.0 | 245.0 | 290.0 | 325.0 | 351.5 | 391.5 | 408.0 | 443.0 | 418.0 | 443.0 |
| LBL | 238.5 | 281.0 | 300.0 | 350.0 | 385.0 | 421.5 | 461.5 | 486.5 | 521.5 | 491.0 | 516.0 |

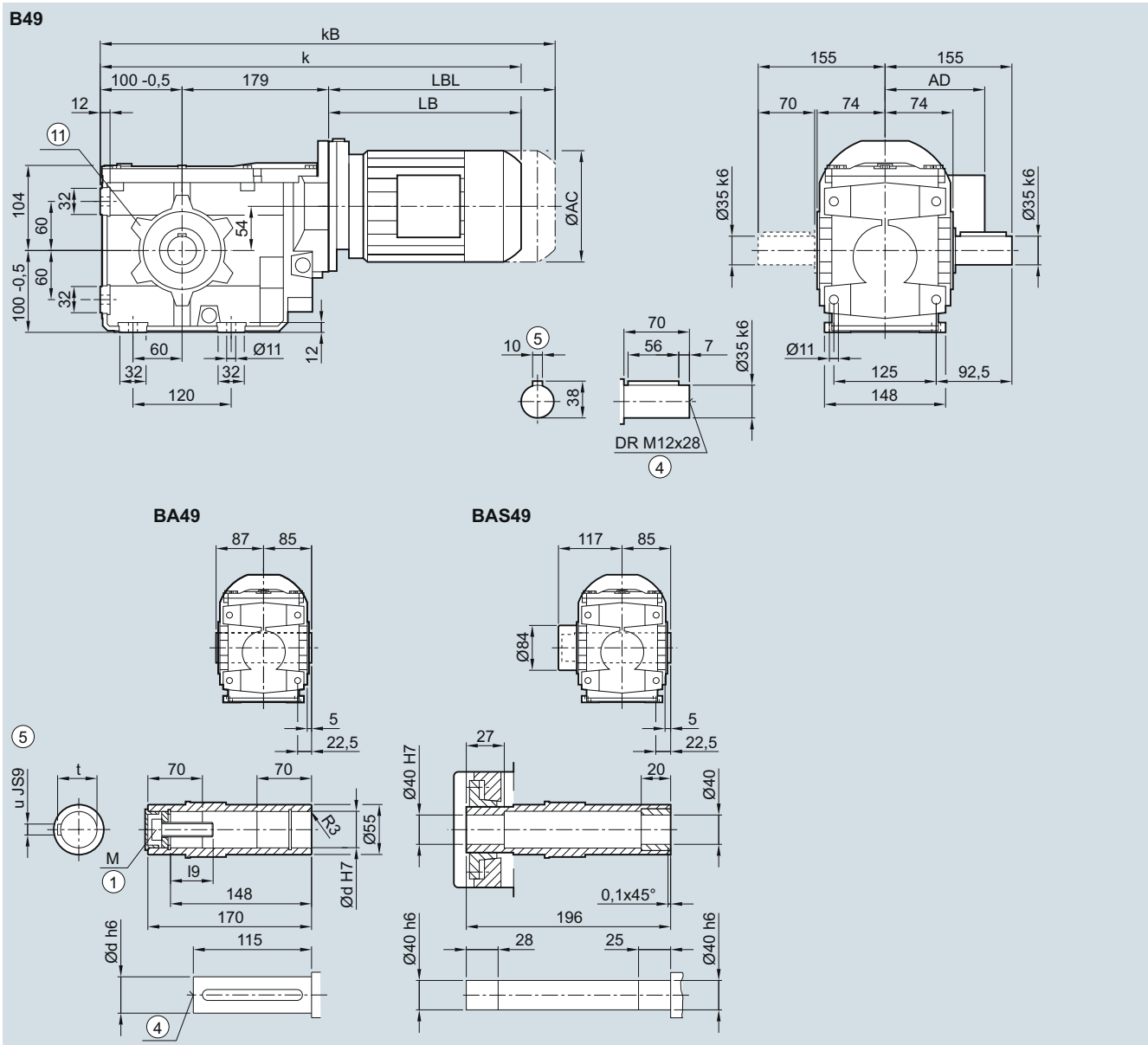
① ISO 4014

④ DIN 332

⑤ Feather key/keyway DIN 6885-1

1) AD depends on the motor options, for other dimensions see page 8/36.

② Use bores only for foot-mounted design

B..49 gearbox in a foot-mounted design
B030, BA030, BAS030


| Shaft | d | I9 | M | t | u |
|-------|----|-------|-----|------|----|
| | 35 | 57 | M12 | 38.3 | 10 |
| | 40 | 67.75 | M16 | 43.3 | 12 |

| Motor | LA 63 | 71 | 71Z | LE 80 | 80Z | 90 | 90Z | 100 | 100Z | 112 | 112Z | 132 | 132Z |
|------------------|-------|-------|-------|-------|-------|-------|-------|-------|-------|-------|-------|-------|-------|
| AC | 117.8 | 138.8 | 138.8 | 156.3 | 156.3 | 173.8 | 173.8 | 198.0 | 198.0 | 222.0 | 222.0 | 264.0 | 264.0 |
| AD ¹⁾ | 124.0 | 134.0 | 134.0 | 149.2 | 149.2 | 154.2 | 154.2 | 170.5 | 170.5 | 181.5 | 181.5 | 207.0 | 207.0 |
| k | 463.5 | 495.5 | 514.5 | 559.5 | 594.5 | 621.0 | 661.0 | 677.5 | 712.5 | 687.5 | 722.0 | 740.5 | 790.5 |
| kB | 508.0 | 550.5 | 569.5 | 619.5 | 654.5 | 691.0 | 731.0 | 756.0 | 791.0 | 760.5 | 795.0 | 845.0 | 895.0 |
| LB | 184.5 | 216.5 | 235.5 | 280.5 | 315.5 | 342.0 | 382.0 | 398.5 | 433.5 | 408.5 | 443.0 | 461.5 | 511.5 |
| LBL | 229.0 | 271.5 | 290.5 | 340.5 | 375.5 | 412.0 | 452.0 | 477.0 | 512.0 | 481.5 | 516.0 | 566.0 | 616.0 |

① ISO 4014

④ DIN 332

⑤ Feather key/keyway DIN 6885-1

1) AD depends on the motor options, for other dimensions see page 8/36.

⑥ Use bores only for housing flange design

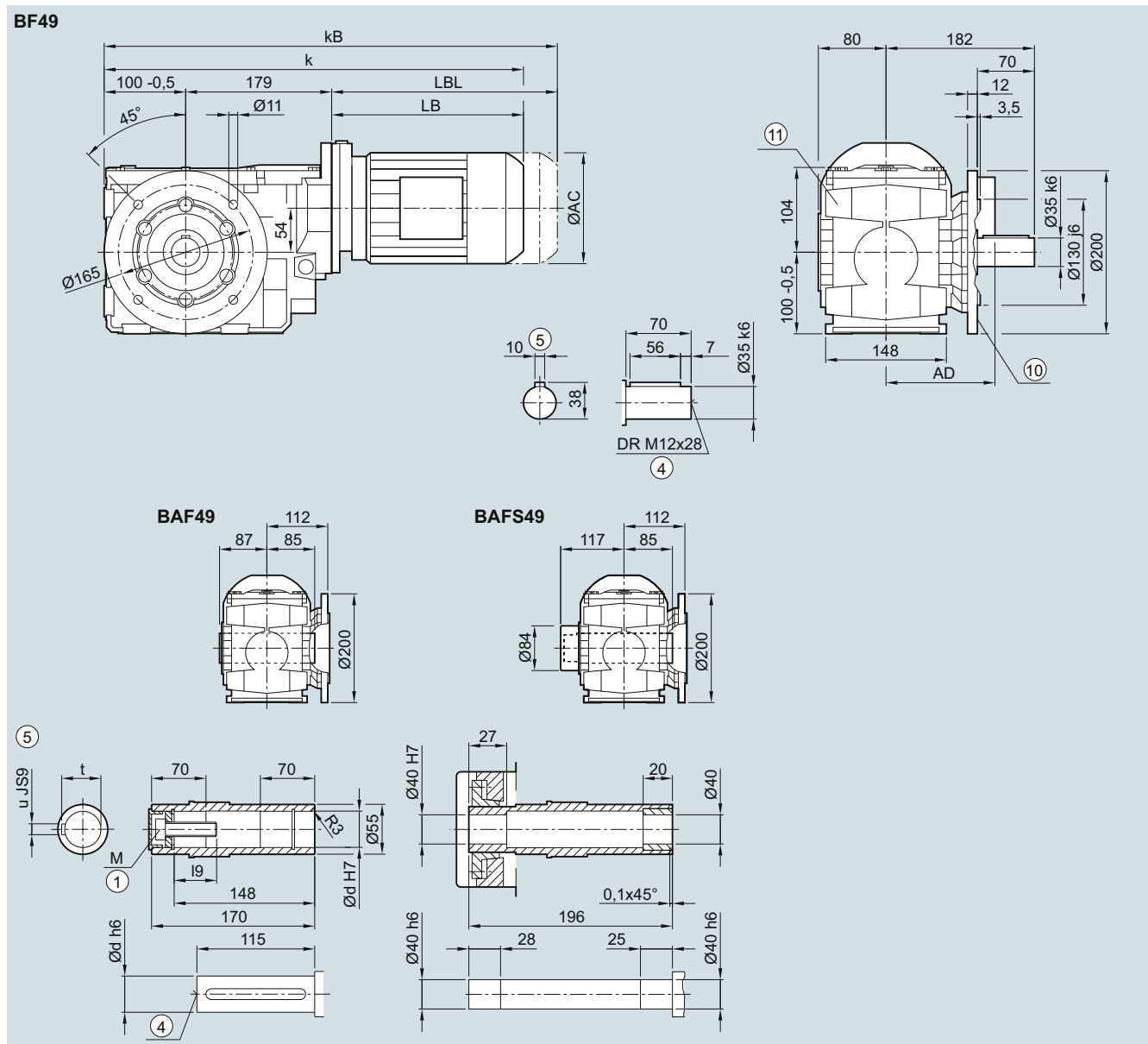
SIMOGEAR geared motors

Bevel geared motors

Dimensions

B.F.49 gearbox in a flange-mounted design

BF030, BAF030, BAFS030



| Shaft | d | l9 | M | t | u |
|-------|----|-------|-----|------|----|
| | 35 | 57 | M12 | 38.3 | 10 |
| | 40 | 67.75 | M16 | 43.3 | 12 |

| Motor | LA 63 | 71 | 71Z | LE 80 | 80Z | 90 | 90Z | 100 | 100Z | 112 | 112Z | 132 | 132Z |
|------------------|-------|-------|-------|-------|-------|-------|-------|-------|-------|-------|-------|-------|-------|
| AC | 117.8 | 138.8 | 138.8 | 156.3 | 156.3 | 173.8 | 173.8 | 198.0 | 198.0 | 222.0 | 222.0 | 264.0 | 264.0 |
| AD ¹⁾ | 124.0 | 134.0 | 134.0 | 149.2 | 149.2 | 154.2 | 154.2 | 170.5 | 170.5 | 181.5 | 181.5 | 207.0 | 207.0 |
| k | 463.5 | 495.5 | 514.5 | 559.5 | 594.5 | 621.0 | 661.0 | 677.5 | 712.5 | 687.5 | 722.0 | 740.5 | 790.5 |
| kB | 508.0 | 550.5 | 569.5 | 619.5 | 654.5 | 691.0 | 731.0 | 756.0 | 791.0 | 760.5 | 795.0 | 845.0 | 895.0 |
| LB | 184.5 | 216.5 | 235.5 | 280.5 | 315.5 | 342.0 | 382.0 | 398.5 | 433.5 | 408.5 | 443.0 | 461.5 | 511.5 |
| LBL | 229.0 | 271.5 | 290.5 | 340.5 | 375.5 | 412.0 | 452.0 | 477.0 | 512.0 | 481.5 | 516.0 | 566.0 | 616.0 |

① ISO 4014

④ DIN 332

⑥ Feather key/keyway DIN 6885-1

⑩ For inner contour see page 5/136

¹⁾ AD depends on the motor options, for other dimensions see page 8/36.

⑪ Use bores only for foot-mounted design

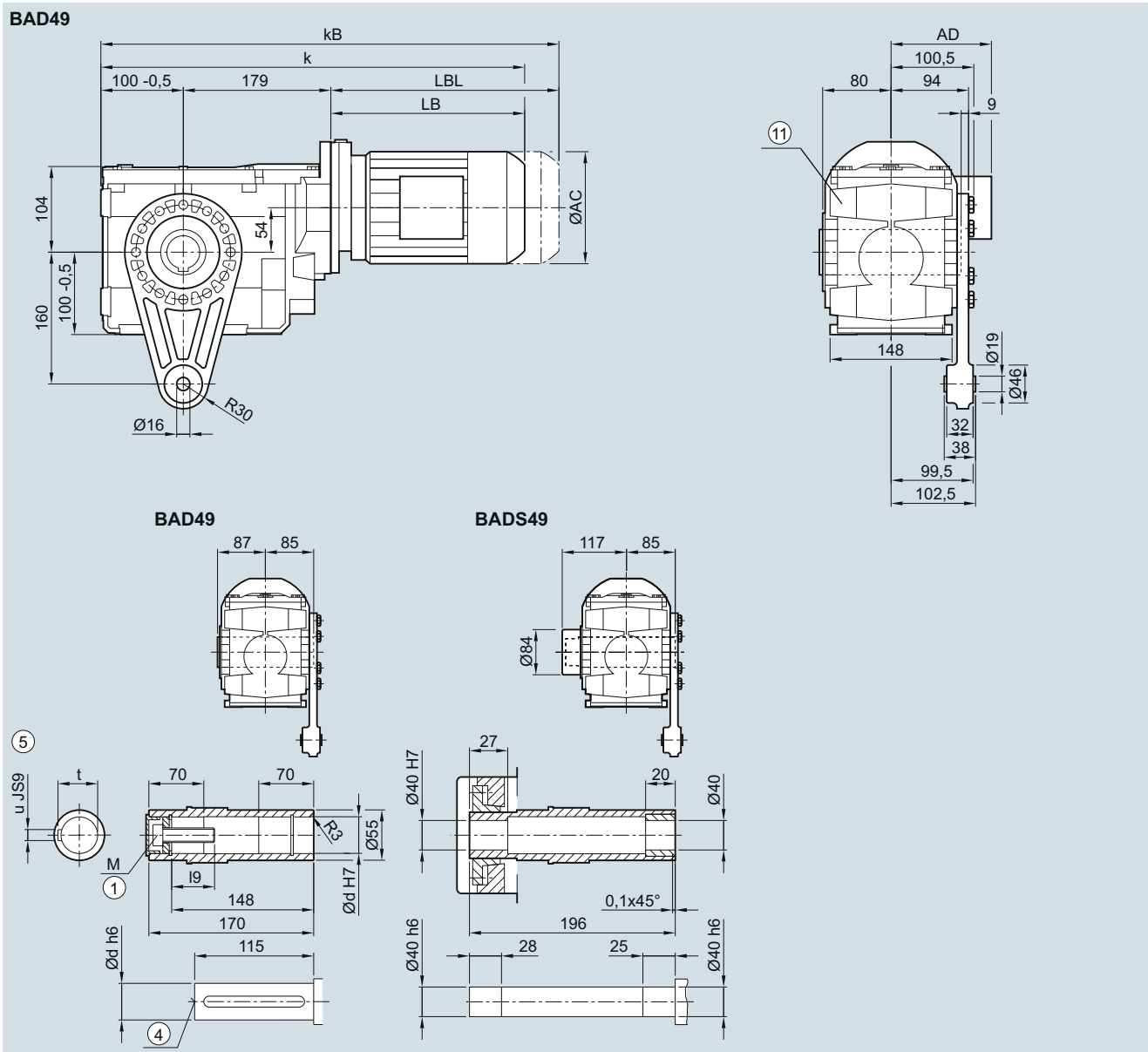
SIMOGEAR geared motors

Bevel geared motors

Dimensions

BAD.49 gearbox in a shaft-mounted design

BAD030, BADS030



| Shaft | d | l9 | M | t | u |
|-------|----|-------|-----|------|----|
| | 35 | 57 | M12 | 38.3 | 10 |
| | 40 | 67.75 | M16 | 43.3 | 12 |

| Motor | LA 63 | 71 | 71Z | LE 80 | 80Z | 90 | 90Z | 100 | 100Z | 112 | 112Z | 132 | 132Z |
|------------------|-------|-------|-------|-------|-------|-------|-------|-------|-------|-------|-------|-------|-------|
| AC | 117.8 | 138.8 | 138.8 | 156.3 | 156.3 | 173.8 | 173.8 | 198.0 | 198.0 | 222.0 | 222.0 | 264.0 | 264.0 |
| AD ¹⁾ | 124.0 | 134.0 | 134.0 | 149.2 | 149.2 | 154.2 | 154.2 | 170.5 | 170.5 | 181.5 | 181.5 | 207.0 | 207.0 |
| k | 463.5 | 495.5 | 514.5 | 559.5 | 594.5 | 621.0 | 661.0 | 677.5 | 712.5 | 687.5 | 722.0 | 740.5 | 790.5 |
| kB | 508.0 | 550.5 | 569.5 | 619.5 | 654.5 | 691.0 | 731.0 | 756.0 | 791.0 | 760.5 | 795.0 | 845.0 | 895.0 |
| LB | 184.5 | 216.5 | 235.5 | 280.5 | 315.5 | 342.0 | 382.0 | 398.5 | 433.5 | 408.5 | 443.0 | 461.5 | 511.5 |
| LBL | 229.0 | 271.5 | 290.5 | 340.5 | 375.5 | 412.0 | 452.0 | 477.0 | 512.0 | 481.5 | 516.0 | 566.0 | 616.0 |

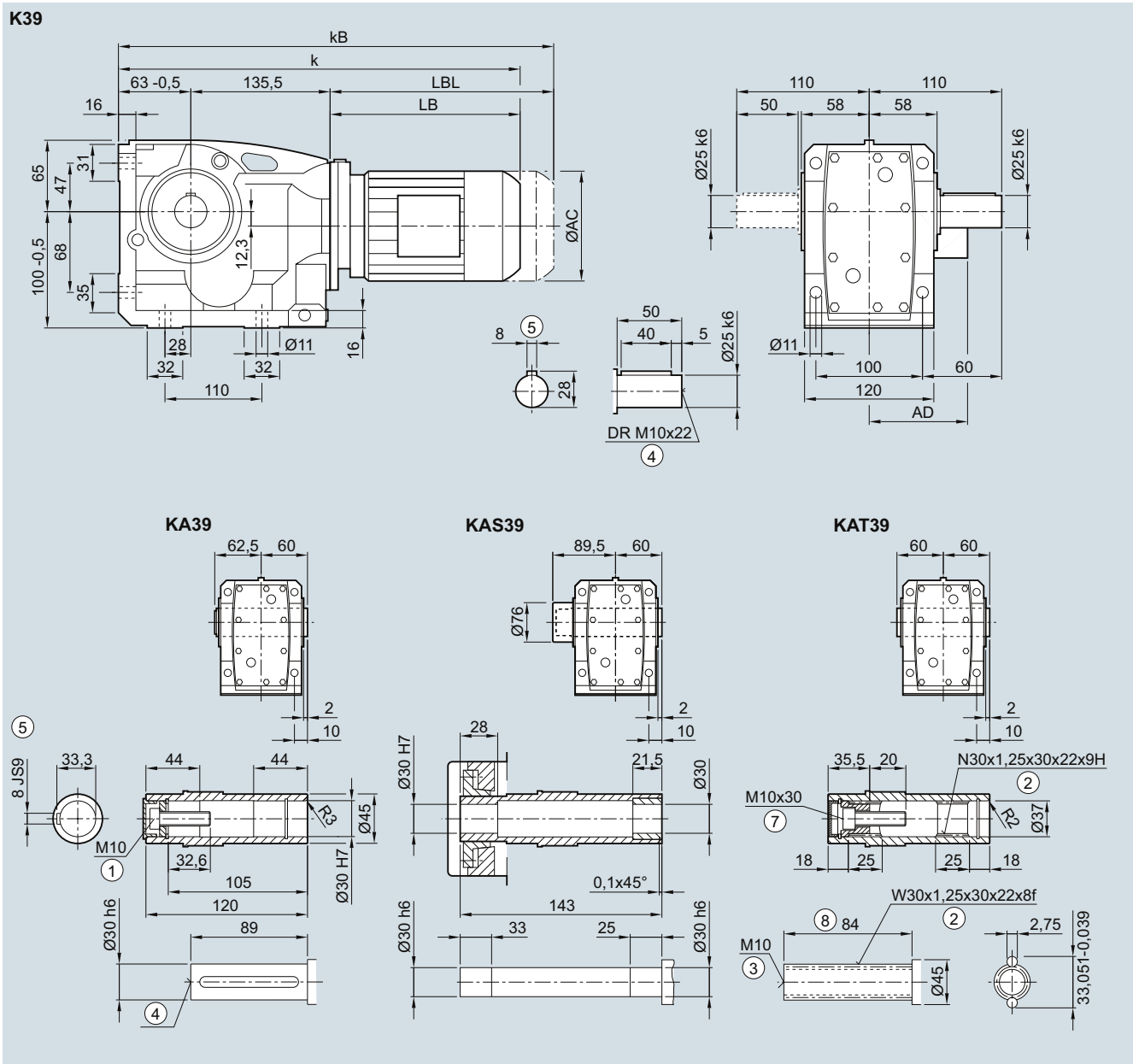
① ISO 4014

④ DIN 332

⑤ Feather key/keyway DIN 6885-1

1) AD depends on the motor options, for other dimensions see page 8/36.

⑪ Use bores only for foot-mounted design

K..39 gearbox in a foot-mounted design
K030, KA030, KAS030, KAT030


| Motor | LA 63 | 71 | 71Z | LE 80 | 80Z | 90 | 90Z | 100 | 100Z | 112 | 112Z |
|------------------|----------|-------|-------|----------|-------|-------|-------|-------|-------|-------|-------|
| AC | 117.8 | 138.8 | 138.8 | 156.3 | 156.3 | 173.8 | 173.8 | 198.0 | 198.0 | 222.0 | 222.0 |
| AD ¹⁾ | 124.0 | 134.0 | 134.0 | 149.2 | 149.2 | 154.2 | 154.2 | 170.5 | 170.5 | 181.5 | 181.5 |
| k | 392.0 | 424.0 | 443.0 | 488.0 | 523.0 | 549.5 | 589.5 | 606.0 | 641.0 | 616.0 | 641.0 |
| kB | 436.5 | 479.0 | 498.0 | 548.0 | 583.0 | 619.5 | 659.5 | 684.5 | 719.5 | 689.0 | 714.0 |
| LB | 194.0 | 226.0 | 245.0 | 290.0 | 325.0 | 351.5 | 391.5 | 408.0 | 443.0 | 418.0 | 443.0 |
| LBL | 238.5 | 281.0 | 300.0 | 350.0 | 385.0 | 421.5 | 461.5 | 486.5 | 521.5 | 491.0 | 516.0 |

① ISO 4014 ② DIN 5480 ③ DIN 332-D ④ DIN 332 ⑤ Feather key/keyway DIN 6885-1 ⑥ ISO 4762 ⑦ Without locating shoulder +1 mm

1) AD depends on the motor options, for other dimensions see page 8/36.

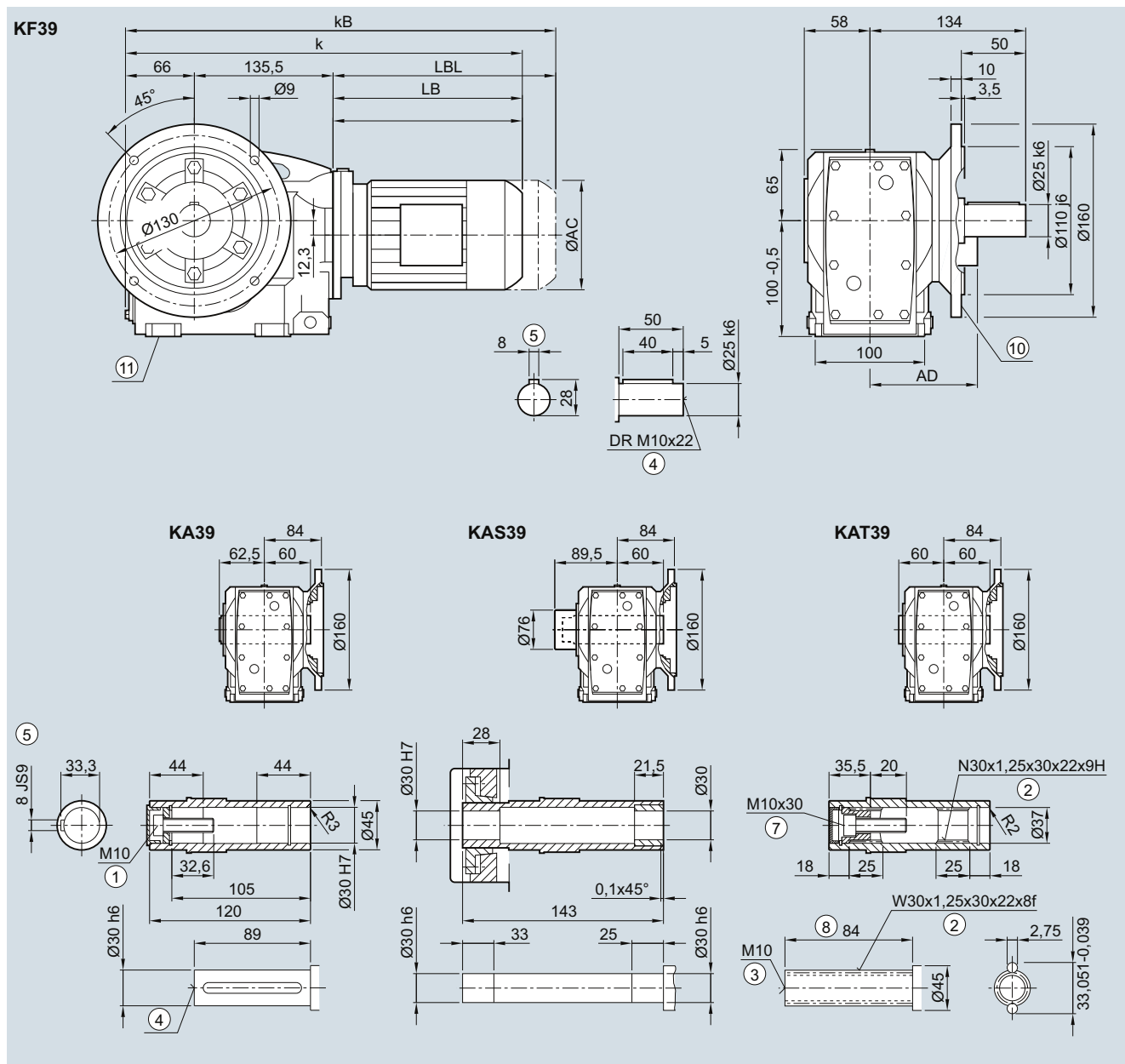
SIMOGEAR geared motors

Bevel geared motors

Dimensions

K.F.39 gearbox in a flange-mounted design

KF030, KAF030, KAFS030, KAFT030

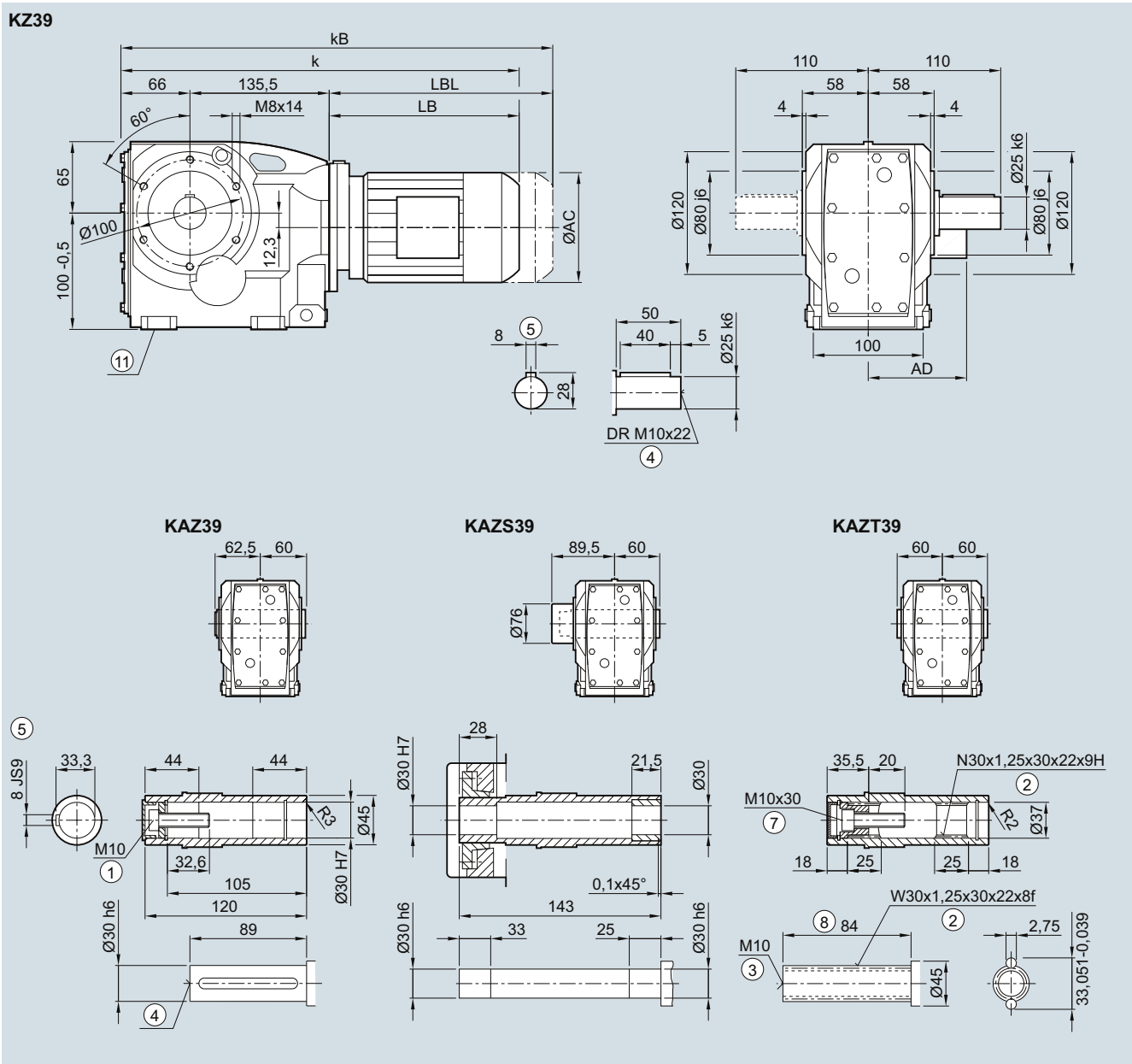


| Motor | LA 63 | 71 | 71Z | LE 80 | 80Z | 90 | 90Z | 100 | 100Z | 112 | 112Z |
|------------------|-------|-------|-------|-------|-------|-------|-------|-------|-------|-------|-------|
| AC | 117.8 | 138.8 | 138.8 | 156.3 | 156.3 | 173.8 | 173.8 | 198.0 | 198.0 | 222.0 | 222.0 |
| AD ¹⁾ | 124.0 | 134.0 | 134.0 | 149.2 | 149.2 | 154.2 | 154.2 | 170.5 | 170.5 | 181.5 | 181.5 |
| k | 395.0 | 427.0 | 446.0 | 491.0 | 526.0 | 552.5 | 592.5 | 609.0 | 644.0 | 619.0 | 644.0 |
| kB | 439.5 | 482.0 | 501.0 | 551.0 | 586.0 | 622.5 | 662.5 | 687.5 | 722.5 | 692.0 | 717.0 |
| LB | 194.0 | 226.0 | 245.0 | 290.0 | 325.0 | 351.5 | 391.5 | 408.0 | 443.0 | 418.0 | 443.0 |
| LBL | 238.5 | 281.0 | 300.0 | 350.0 | 385.0 | 421.5 | 461.5 | 486.5 | 521.5 | 491.0 | 516.0 |

① ISO 4014 ② DIN 5480 ③ DIN 332-D ④ DIN 332 ⑤ Feather key/keyway DIN 6885-1 ⑦ ISO 4762 ⑧ Without locating shoulder + 1 mm
 ⑨ For inner contour see page 5/136 ⑩ Use bores only for foot-mounted design
 1) AD depends on the motor options, for other dimensions see page 8/36.

K.Z.39 gearbox in a housing flange design

KZ030, KAZ030, KAZS030, KAZT030



5

| Motor | LA 63 | 71 | 71Z | LE 80 | 80Z | 90 | 90Z | 100 | 100Z | 112 | 112Z |
|------------------|-------|-------|-------|-------|-------|-------|-------|-------|-------|-------|-------|
| AC | 117.8 | 138.8 | 138.8 | 156.3 | 156.3 | 173.8 | 173.8 | 198.0 | 198.0 | 222.0 | 222.0 |
| AD ¹⁾ | 124.0 | 134.0 | 134.0 | 149.2 | 149.2 | 154.2 | 154.2 | 170.5 | 170.5 | 181.5 | 181.5 |
| k | 395.0 | 427.0 | 446.0 | 491.0 | 526.0 | 552.5 | 592.5 | 609.0 | 644.0 | 619.0 | 644.0 |
| kB | 439.5 | 482.0 | 501.0 | 551.0 | 586.0 | 622.5 | 662.5 | 687.5 | 722.5 | 692.0 | 717.0 |
| LB | 194.0 | 226.0 | 245.0 | 290.0 | 325.0 | 351.5 | 391.5 | 408.0 | 443.0 | 418.0 | 443.0 |
| LBL | 238.5 | 281.0 | 300.0 | 350.0 | 385.0 | 421.5 | 461.5 | 486.5 | 521.5 | 491.0 | 516.0 |

① ISO 4014 ② DIN 5480 ③ DIN 332-D ④ DIN 332 ⑤ Feather key/keyway DIN 6885-1 ⑦ ISO 4762 ⑧ Without locating shoulder +1 mm
 ⑨ Use bores only for foot-mounted design
 1) AD depends on the motor options, for other dimensions see page 8/36.

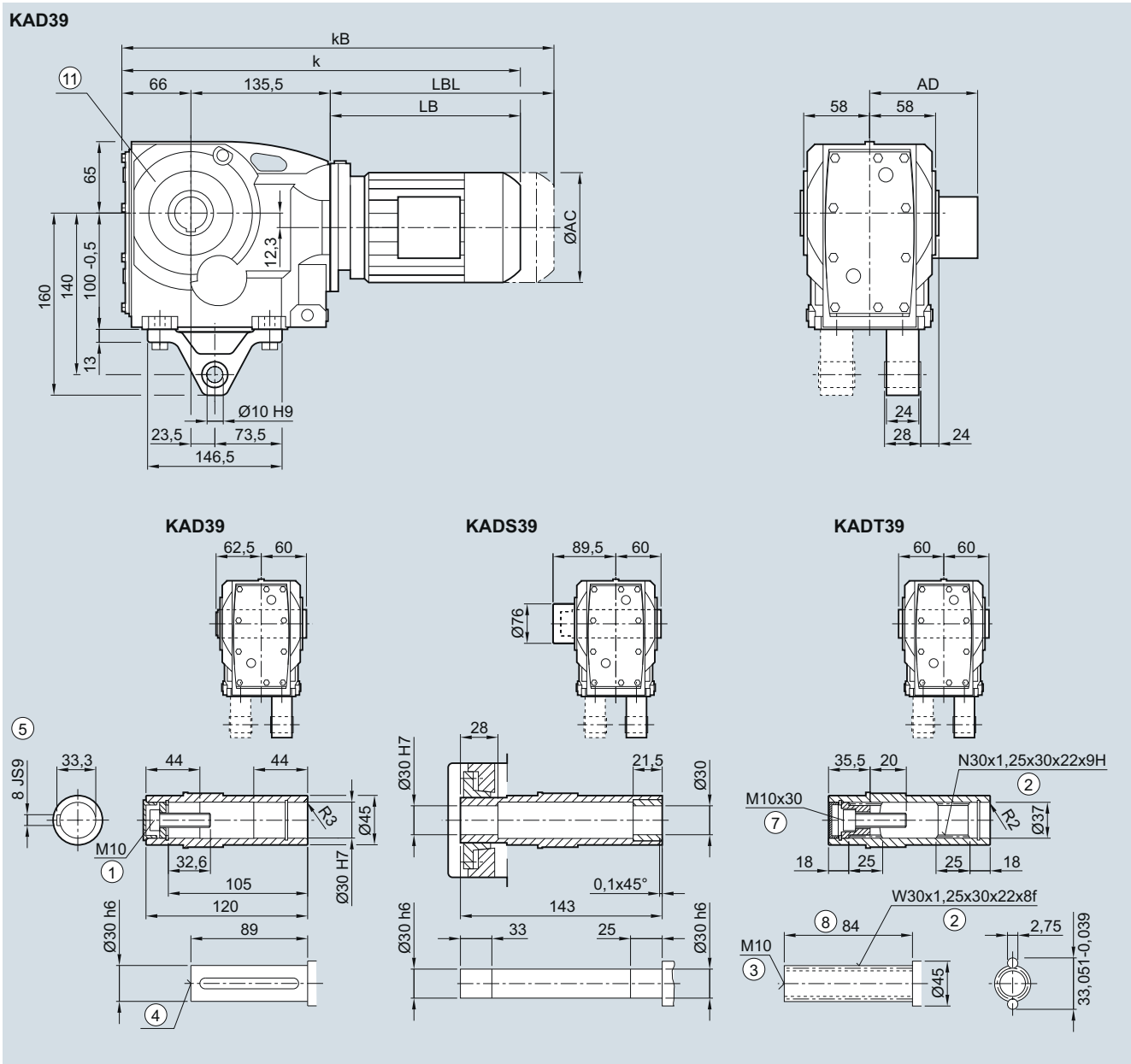
SIMOGEAR geared motors

Bevel geared motors

Dimensions

KAD.39 gearbox in a shaft-mounted design

KAD031, KADS031, KADT031



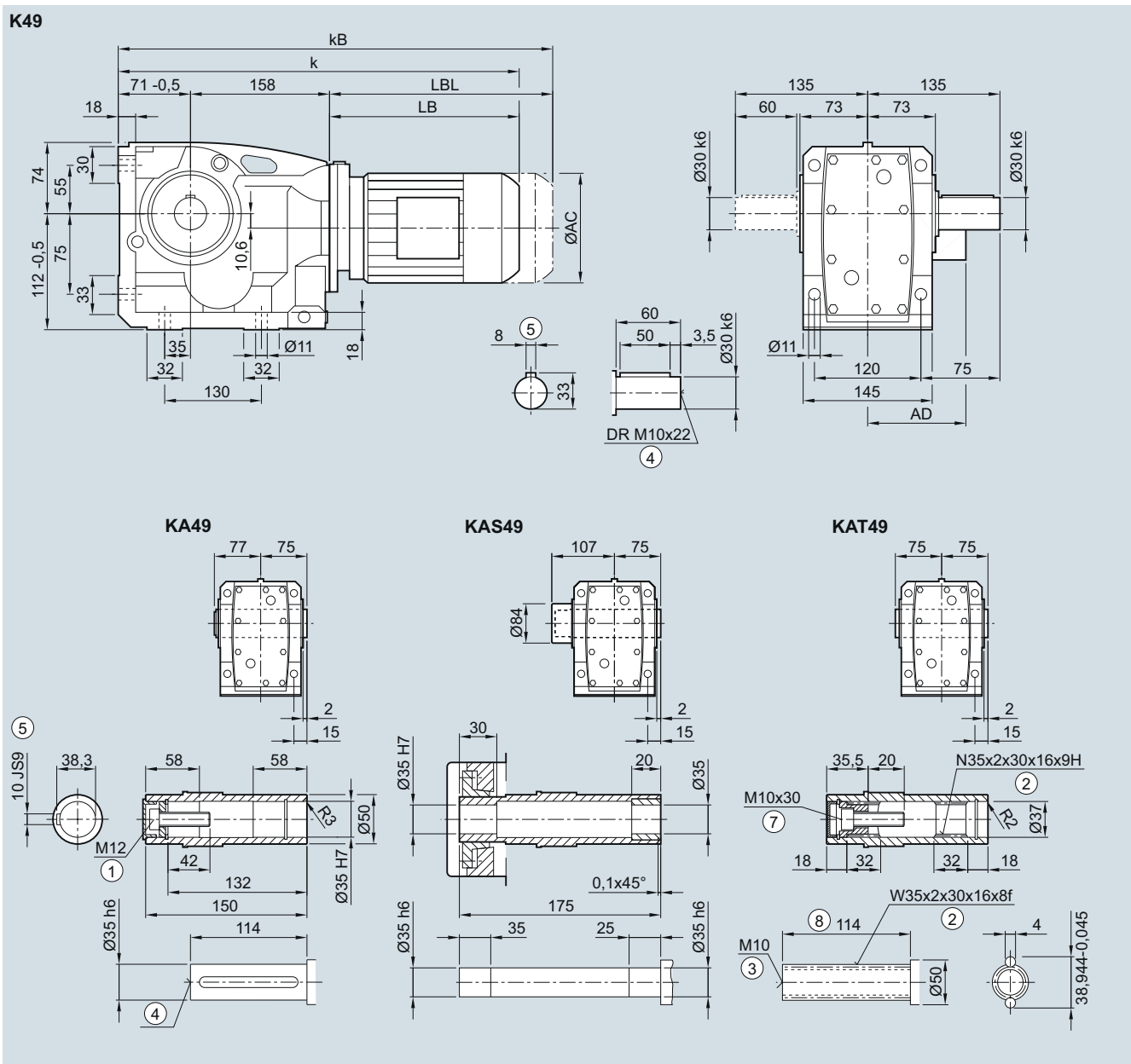
| Motor | LA 63 | 71 | 71Z | LE 80 | 80Z | 90 | 90Z | 100 | 100Z | 112 | 112Z |
|------------------|----------|-------|-------|----------|-------|-------|-------|-------|-------|-------|-------|
| AC | 117.8 | 138.8 | 138.8 | 156.3 | 156.3 | 173.8 | 173.8 | 198.0 | 198.0 | 222.0 | 222.0 |
| AD ¹⁾ | 124.0 | 134.0 | 134.0 | 149.2 | 149.2 | 154.2 | 154.2 | 170.5 | 170.5 | 181.5 | 181.5 |
| k | 395.0 | 427.0 | 446.0 | 491.0 | 526.0 | 552.5 | 592.5 | 609.0 | 644.0 | 619.0 | 644.0 |
| kB | 439.5 | 482.0 | 501.0 | 551.0 | 586.0 | 622.5 | 662.5 | 687.5 | 722.5 | 692.0 | 717.0 |
| LB | 194.0 | 226.0 | 245.0 | 290.0 | 325.0 | 351.5 | 391.5 | 408.0 | 443.0 | 418.0 | 443.0 |
| LBL | 238.5 | 281.0 | 300.0 | 350.0 | 385.0 | 421.5 | 461.5 | 486.5 | 521.5 | 491.0 | 516.0 |

① ISO 4014 ② DIN 5480 ③ DIN 332-D ④ DIN 332
 ⑤ Use bores only for housing flange design

⑤ Feather key/keyway DIN 6885-1 ⑦ ISO 4762 ⑧ Without locating shoulder +1 mm
 1) AD depends on the motor options, for other dimensions see page 8/36.

K..49 gearbox in a foot-mounted design

K030, KA030, KAS030, KAT030



| Motor | LA 63 | 71 | 71Z | LE 80 | 80Z | 90 | 90Z | 100 | 100Z | 112 | 112Z | 132 | 132Z |
|------------------|----------|-------|-------|----------|-------|-------|-------|-------|-------|-------|-------|-------|-------|
| AC | 117.8 | 138.8 | 138.8 | 156.3 | 156.3 | 173.8 | 173.8 | 198.0 | 198.0 | 222.0 | 222.0 | 264.0 | 264.0 |
| AD ¹⁾ | 124.0 | 134.0 | 134.0 | 149.2 | 149.2 | 154.2 | 154.2 | 170.5 | 170.5 | 181.5 | 181.5 | 207.0 | 207.0 |
| k | 413.5 | 445.5 | 464.5 | 509.5 | 544.5 | 571.0 | 611.0 | 627.5 | 662.5 | 637.5 | 672.0 | 690.5 | 740.5 |
| kB | 458.0 | 500.5 | 519.5 | 569.5 | 604.5 | 641.0 | 681.0 | 706.0 | 741.0 | 710.5 | 745.0 | 795.0 | 845.0 |
| LB | 184.5 | 216.5 | 235.5 | 280.5 | 315.5 | 342.0 | 382.0 | 398.5 | 433.5 | 408.5 | 443.0 | 461.5 | 511.5 |
| LBL | 229.0 | 271.5 | 290.5 | 340.5 | 375.5 | 412.0 | 452.0 | 477.0 | 512.0 | 481.5 | 516.0 | 566.0 | 616.0 |

① ISO 4014 ② DIN 5480 ③ DIN 332-D ④ DIN 332 ⑤ Feather key/keyway DIN 6885-1 ⑦ ISO 4762 ⑧ Without locating shoulder +1 mm

¹⁾ AD depends on the motor options, for other dimensions see page 8/36.

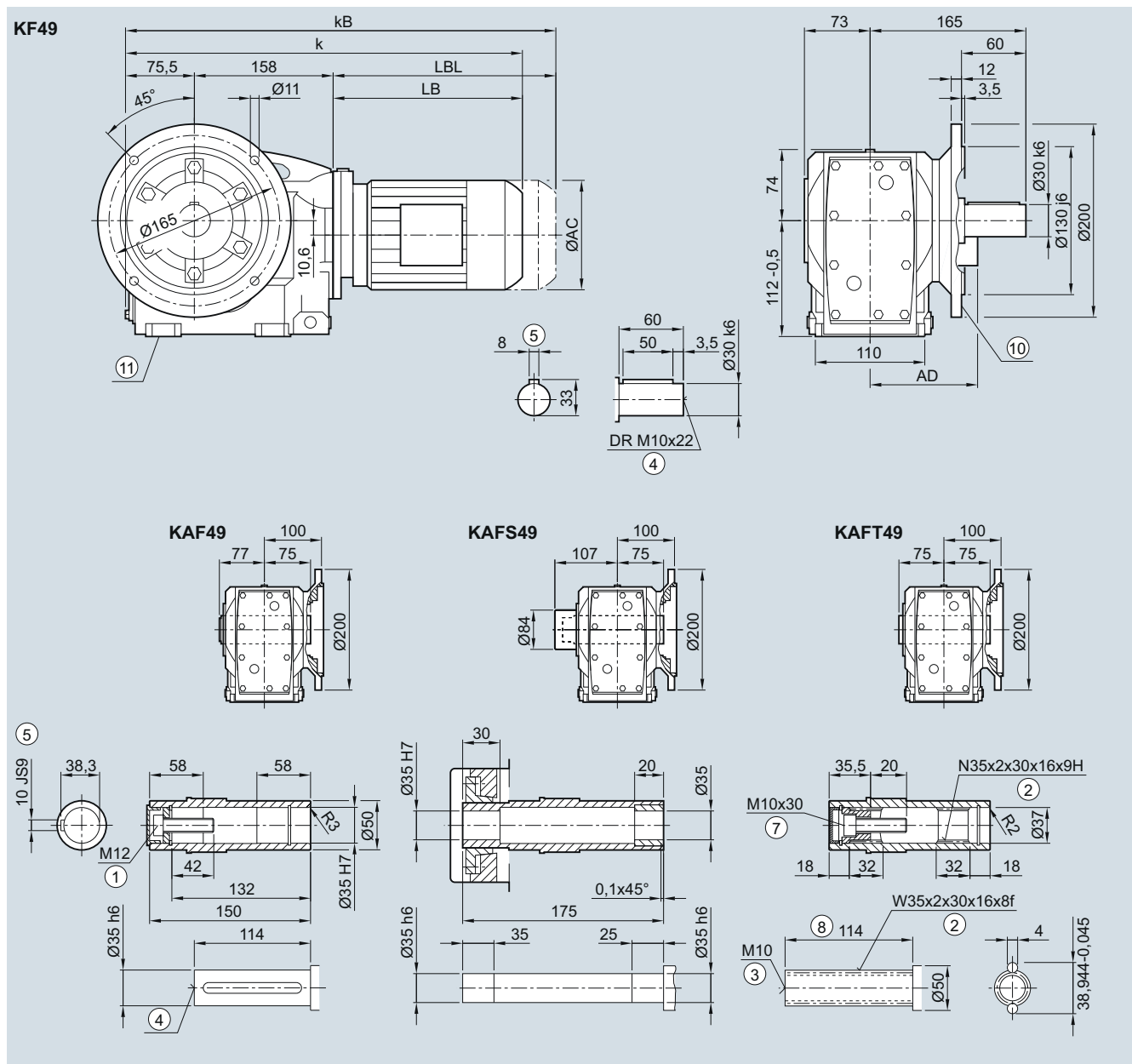
SIMOGEAR geared motors

Bevel geared motors

Dimensions

K.F.49 gearbox in a flange-mounted design

KF030, KAF030, KAFS030, KAFT030



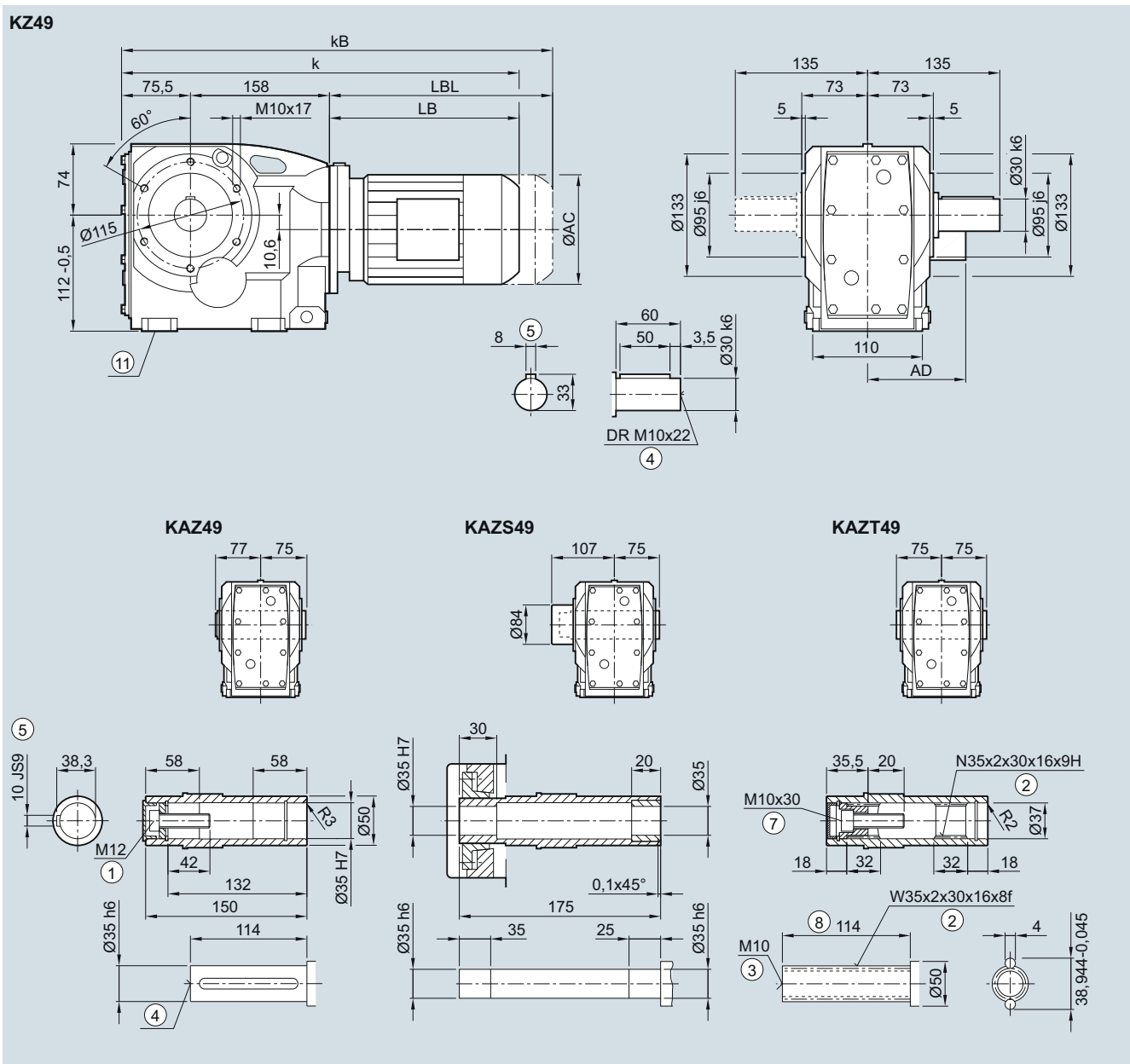
| Motor | LA 63 | 71 | 71Z | LE 80 | 80Z | 90 | 90Z | 100 | 100Z | 112 | 112Z | 132 | 132Z |
|------------------|-------|-------|-------|-------|-------|-------|-------|-------|-------|-------|-------|-------|-------|
| AC | 117.8 | 138.8 | 138.8 | 156.3 | 156.3 | 173.8 | 173.8 | 198.0 | 198.0 | 222.0 | 222.0 | 264.0 | 264.0 |
| AD ¹⁾ | 124.0 | 134.0 | 134.0 | 149.2 | 149.2 | 154.2 | 154.2 | 170.5 | 170.5 | 181.5 | 181.5 | 207.0 | 207.0 |
| k | 418.0 | 450.0 | 469.0 | 514.0 | 549.0 | 575.5 | 615.5 | 632.0 | 667.0 | 642.0 | 676.5 | 695.0 | 745.0 |
| kB | 462.5 | 505.0 | 524.0 | 574.0 | 609.0 | 645.5 | 685.5 | 710.5 | 745.5 | 715.0 | 749.5 | 799.5 | 849.5 |
| LB | 184.5 | 216.5 | 235.5 | 280.5 | 315.5 | 342.0 | 382.0 | 398.5 | 433.5 | 408.5 | 443.0 | 461.5 | 511.5 |
| LBL | 229.0 | 271.5 | 290.5 | 340.5 | 375.5 | 412.0 | 452.0 | 477.0 | 512.0 | 481.5 | 516.0 | 566.0 | 616.0 |

① ISO 4014 ② DIN 5480 ③ DIN 332-D ④ DIN 332 ⑤ Feather key/keyway DIN 6885-1 ⑦ ISO 4762 ⑧ Without locating shoulder + 1 mm

⑩ For inner contour see page 5/136

⑪ Use bores only for foot-mounted design

¹⁾ AD depends on the motor options, for other dimensions see page 8/36.

K.Z.49 gearbox in a housing flange design
KZ030, KAZ030, KAZS030, KAZT030


| Motor | LA 63 | 71 | 71Z | LE 80 | 80Z | 90 | 90Z | 100 | 100Z | 112 | 112Z | 132 | 132Z |
|------------------|----------|-------|-------|----------|-------|-------|-------|-------|-------|-------|-------|-------|-------|
| AC | 117.8 | 138.8 | 138.8 | 156.3 | 156.3 | 173.8 | 173.8 | 198.0 | 198.0 | 222.0 | 222.0 | 264.0 | 264.0 |
| AD ¹⁾ | 124.0 | 134.0 | 134.0 | 149.2 | 149.2 | 154.2 | 154.2 | 170.5 | 170.5 | 181.5 | 181.5 | 207.0 | 207.0 |
| k | 418.0 | 450.0 | 469.0 | 514.0 | 549.0 | 575.5 | 615.5 | 632.0 | 667.0 | 642.0 | 676.5 | 695.0 | 745.0 |
| kB | 462.5 | 505.0 | 524.0 | 574.0 | 609.0 | 645.5 | 685.5 | 710.5 | 745.5 | 715.0 | 749.5 | 799.5 | 849.5 |
| LB | 184.5 | 216.5 | 235.5 | 280.5 | 315.5 | 342.0 | 382.0 | 398.5 | 433.5 | 408.5 | 443.0 | 461.5 | 511.5 |
| LBL | 229.0 | 271.5 | 290.5 | 340.5 | 375.5 | 412.0 | 452.0 | 477.0 | 512.0 | 481.5 | 516.0 | 566.0 | 616.0 |

① ISO 4014 ② DIN 5480 ③ DIN 332-D ④ DIN 332 ⑤ Feather key/keyway DIN 6885-1 ⑦ ISO 4762 ⑧ Without locating shoulder +1 mm
 ⑨ Use bores only for foot-mounted design
 1) AD depends on the motor options, for other dimensions see page 8/36.

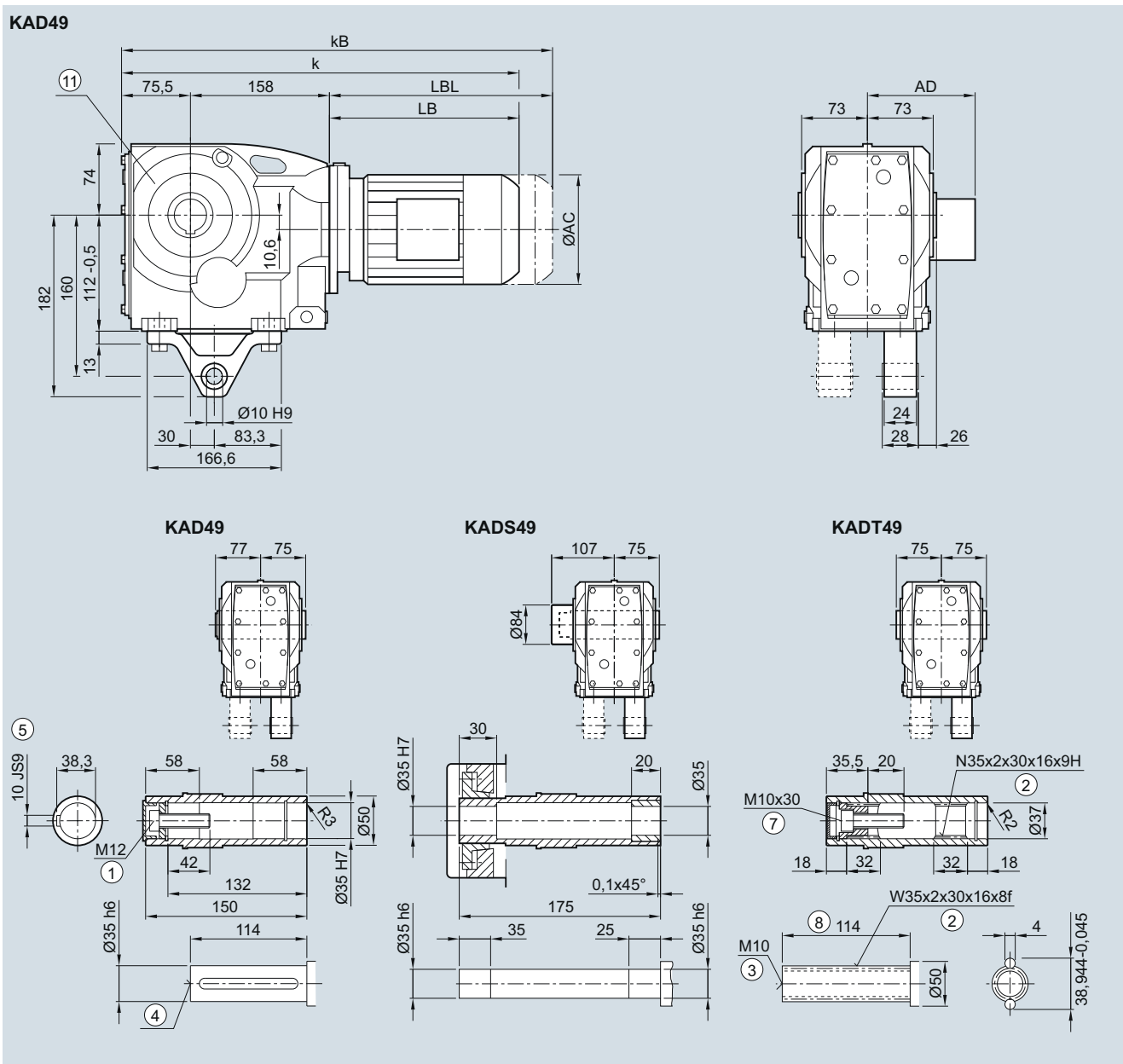
SIMOGEAR geared motors

Bevel geared motors

Dimensions

KAD.49 gearbox in a shaft-mounted design

KAD031, KADS031, KADT031

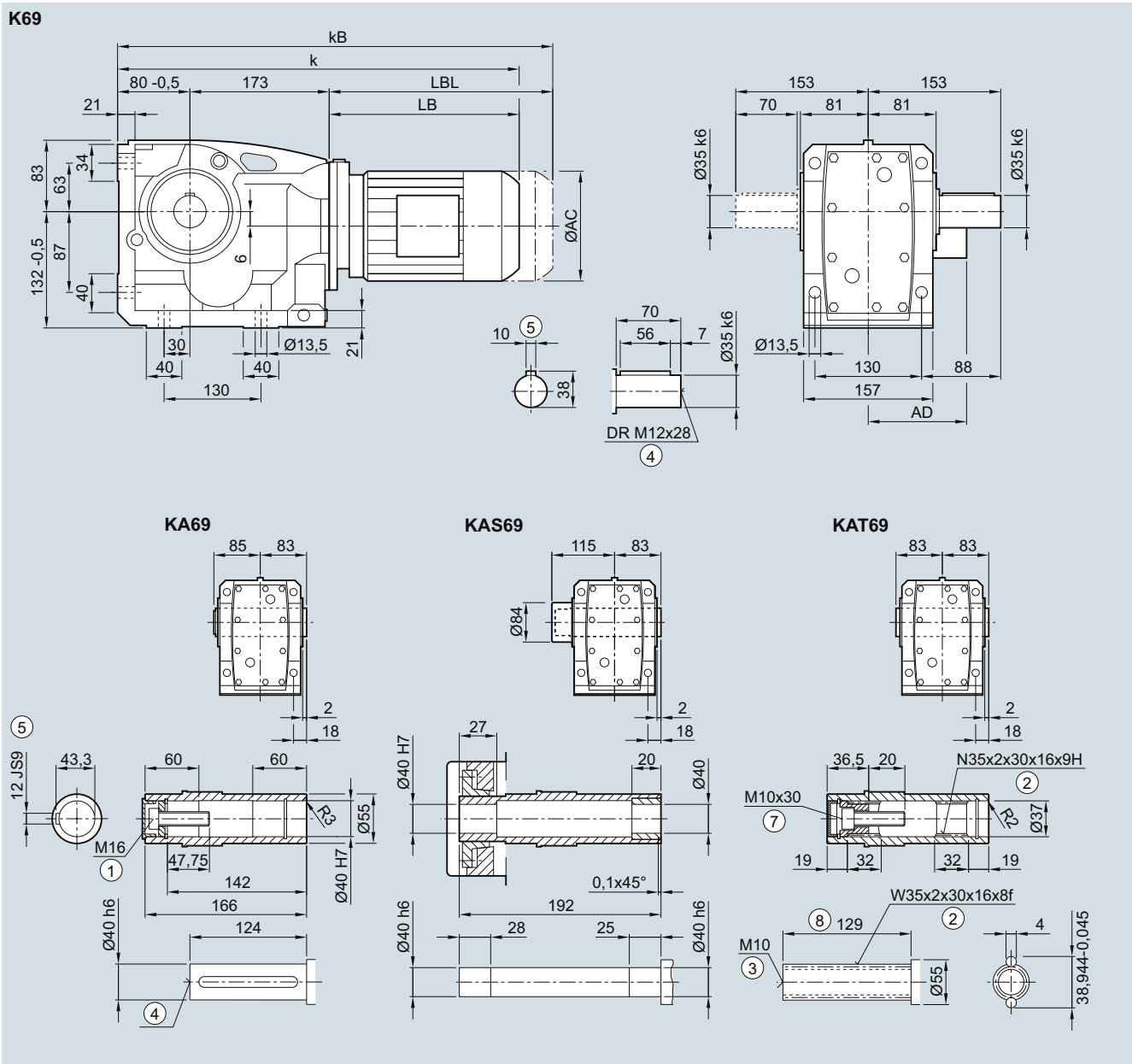


| Motor | LA 63 | 71 | 71Z | LE 80 | 80Z | 90 | 90Z | 100 | 100Z | 112 | 112Z | 132 | 132Z |
|------------------|-------|-------|-------|-------|-------|-------|-------|-------|-------|-------|-------|-------|-------|
| AC | 117.8 | 138.8 | 138.8 | 156.3 | 156.3 | 173.8 | 173.8 | 198.0 | 198.0 | 222.0 | 222.0 | 264.0 | 264.0 |
| AD ¹⁾ | 124.0 | 134.0 | 134.0 | 149.2 | 149.2 | 154.2 | 154.2 | 170.5 | 170.5 | 181.5 | 181.5 | 207.0 | 207.0 |
| k | 418.0 | 450.0 | 469.0 | 514.0 | 549.0 | 575.5 | 615.5 | 632.0 | 667.0 | 642.0 | 676.5 | 695.0 | 745.0 |
| kB | 462.5 | 505.0 | 524.0 | 574.0 | 609.0 | 645.5 | 685.5 | 710.5 | 745.5 | 715.0 | 749.5 | 799.5 | 849.5 |
| LB | 184.5 | 216.5 | 235.5 | 280.5 | 315.5 | 342.0 | 382.0 | 398.5 | 433.5 | 408.5 | 443.0 | 461.5 | 511.5 |
| LBL | 229.0 | 271.5 | 290.5 | 340.5 | 375.5 | 412.0 | 452.0 | 477.0 | 512.0 | 481.5 | 516.0 | 566.0 | 616.0 |

- ① ISO 4014 ② DIN 5480 ③ DIN 332-D ④ DIN 332 ⑤ Feather key/keyway DIN 6885-1 ⑦ ISO 4762 ⑧ Without locating shoulder +1 mm
 ⑨ Use bores only for housing flange design ⑩ AD depends on the motor options, for other dimensions see page 8/36.

K..69 gearbox in a foot-mounted design

K030, KA030, KAS030, KAT030



| Motor | LA 63 | 71 | 71Z | LE 80 | 80Z | 90 | 90Z | 100 | 100Z | 112 | 112Z | 132 | 132Z |
|------------------|-------|-------|-------|-------|-------|-------|-------|-------|-------|-------|-------|-------|-------|
| AC | 117.8 | 138.8 | 138.8 | 156.3 | 156.3 | 173.8 | 173.8 | 198.0 | 198.0 | 222.0 | 222.0 | 264.0 | 264.0 |
| AD ¹⁾ | 124.0 | 134.0 | 134.0 | 149.2 | 149.2 | 154.2 | 154.2 | 170.5 | 170.5 | 181.5 | 181.5 | 207.0 | 207.0 |
| k | 437.5 | 469.5 | 488.5 | 533.5 | 568.5 | 595.0 | 635.0 | 651.5 | 686.5 | 661.5 | 696.0 | 714.5 | 764.5 |
| kB | 482.0 | 524.5 | 543.5 | 593.5 | 628.5 | 665.0 | 705.0 | 730.0 | 765.0 | 734.5 | 769.0 | 819.0 | 869.0 |
| LB | 184.5 | 216.5 | 235.5 | 280.5 | 315.5 | 342.0 | 382.0 | 398.5 | 433.5 | 408.5 | 443.0 | 461.5 | 511.5 |
| LBL | 229.0 | 271.5 | 290.5 | 340.5 | 375.5 | 412.0 | 452.0 | 477.0 | 512.0 | 481.5 | 516.0 | 566.0 | 616.0 |

① ISO 4014 ② DIN 5480 ③ DIN 332-D ④ DIN 332 ⑤ Feather key/keyway DIN 6885-1 ⑦ ISO 4762 ⑧ Without locating shoulder +1 mm
¹⁾ AD depends on the motor options, for other dimensions see page 8/36.

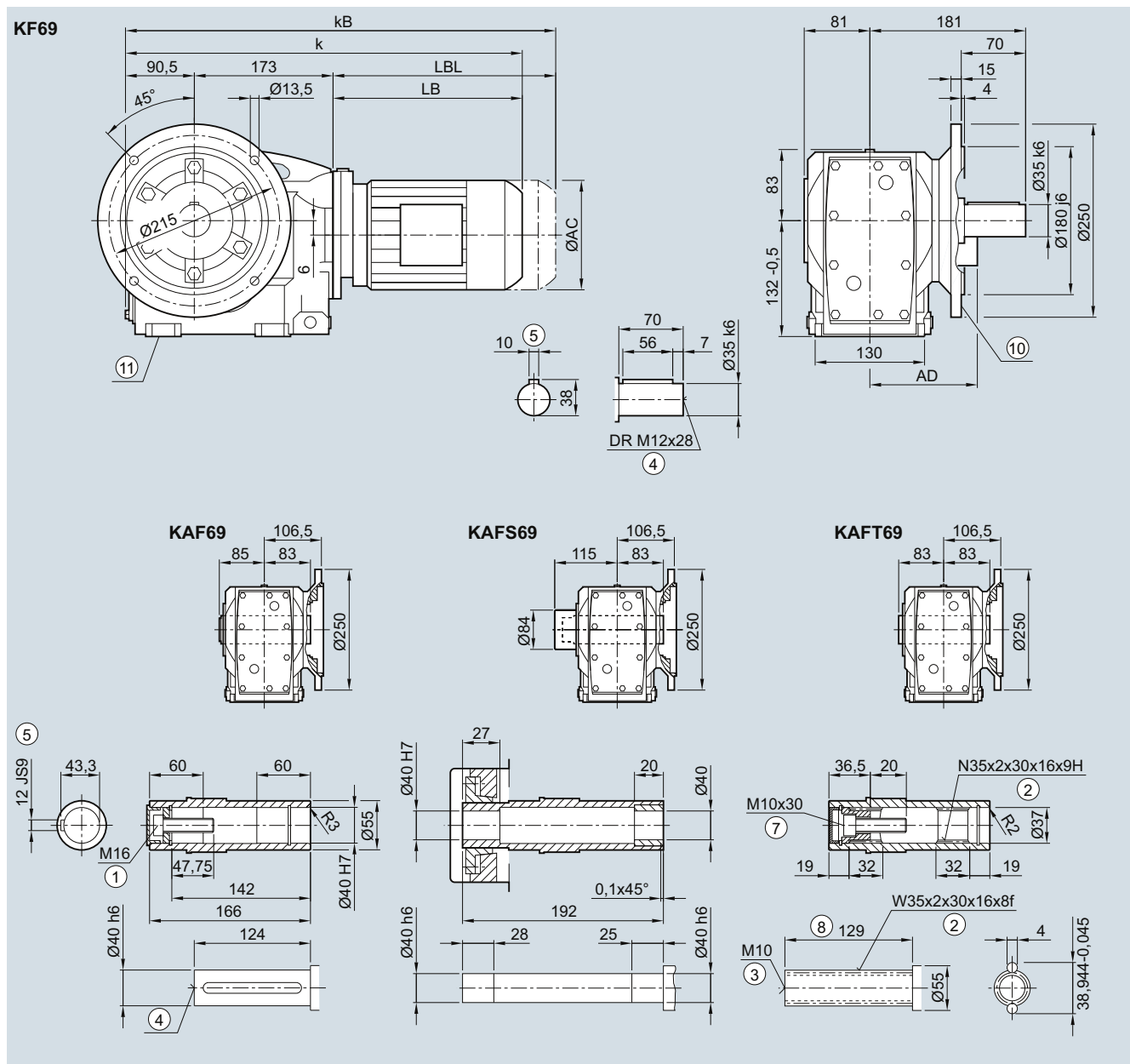
SIMOGEAR geared motors

Bevel geared motors

Dimensions

K.F.69 gearbox in a flange-mounted design

KF030, KAF030, KAFS030, KAFT030



| Motor | LA 63 | 71 | 71Z | LE 80 | 80Z | 90 | 90Z | 100 | 100Z | 112 | 112Z | 132 | 132Z |
|------------------|-------|-------|-------|-------|-------|-------|-------|-------|-------|-------|-------|-------|-------|
| AC | 117.8 | 138.8 | 138.8 | 156.3 | 156.3 | 173.8 | 173.8 | 198.0 | 198.0 | 222.0 | 222.0 | 264.0 | 264.0 |
| AD ¹⁾ | 124.0 | 134.0 | 134.0 | 149.2 | 149.2 | 154.2 | 154.2 | 170.5 | 170.5 | 181.5 | 181.5 | 207.0 | 207.0 |
| k | 448.0 | 480.0 | 499.0 | 544.0 | 579.0 | 605.5 | 645.5 | 662.0 | 697.0 | 672.0 | 706.5 | 725.0 | 775.0 |
| kB | 492.5 | 535.0 | 554.0 | 604.0 | 639.0 | 675.5 | 715.5 | 740.5 | 775.5 | 745.0 | 779.5 | 829.5 | 879.5 |
| LB | 184.5 | 216.5 | 235.5 | 280.5 | 315.5 | 342.0 | 382.0 | 398.5 | 433.5 | 408.5 | 443.0 | 461.5 | 511.5 |
| LBL | 229.0 | 271.5 | 290.5 | 340.5 | 375.5 | 412.0 | 452.0 | 477.0 | 512.0 | 481.5 | 516.0 | 566.0 | 616.0 |

① ISO 4014 ② DIN 5480 ③ DIN 332-D ④ DIN 332 ⑤ Feather key/keyway DIN 6885-1 ⑦ ISO 4762 ⑧ Without locating shoulder +1 mm

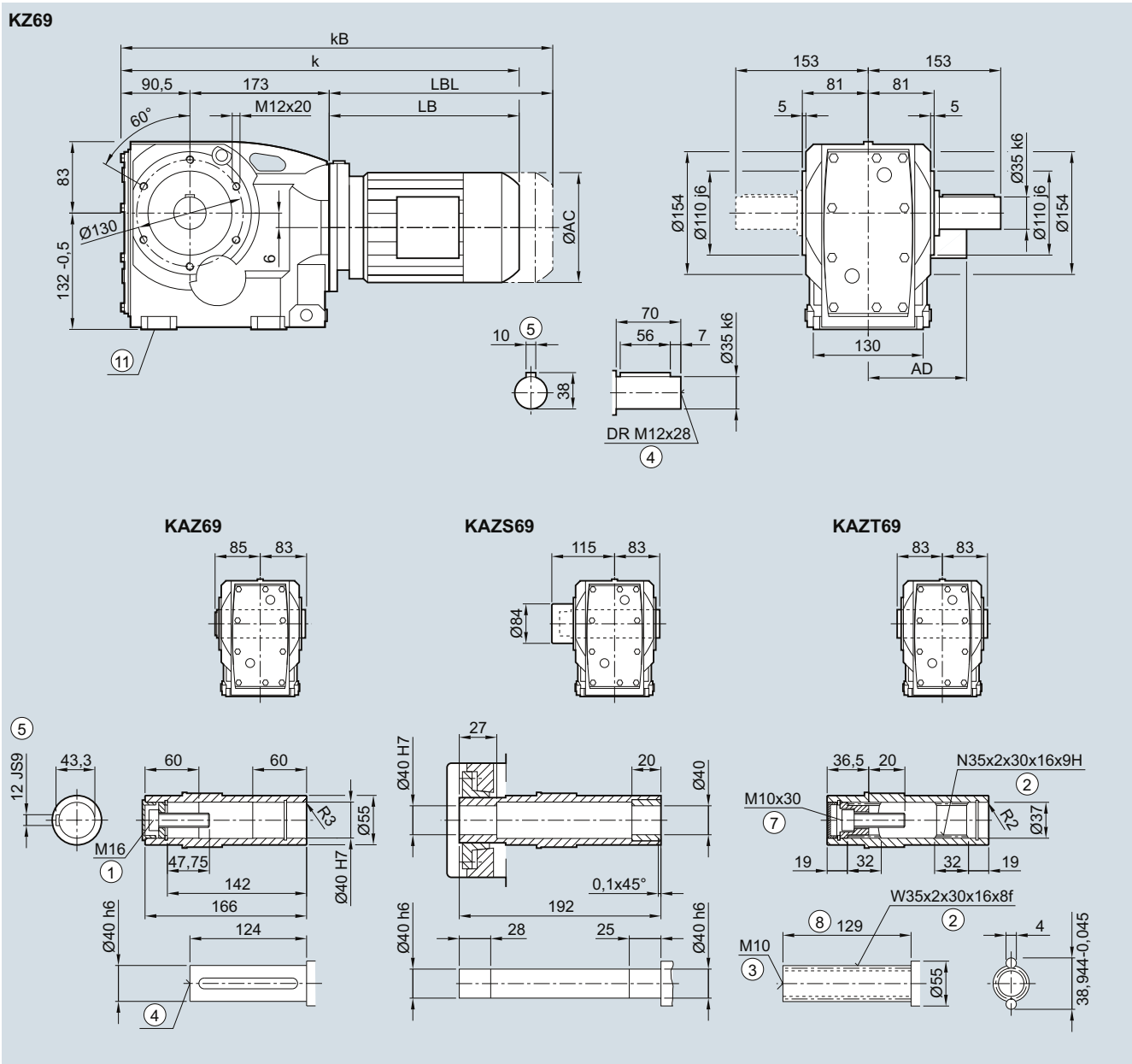
⑩ For inner contour see page 5/136

⑪ Use bores only for foot-mounted design

¹⁾ AD depends on the motor options, for other dimensions see page 8/36.

K.Z.69 gearbox in a housing flange design

KZ030, KAZ030, KAZS030, KAZT030



5

| Motor | LA 63 | 71 | 71Z | LE 80 | 80Z | 90 | 90Z | 100 | 100Z | 112 | 112Z | 132 | 132Z |
|------------------|-------|-------|-------|-------|-------|-------|-------|-------|-------|-------|-------|-------|-------|
| AC | 117.8 | 138.8 | 138.8 | 156.3 | 156.3 | 173.8 | 173.8 | 198.0 | 198.0 | 222.0 | 222.0 | 264.0 | 264.0 |
| AD ¹⁾ | 124.0 | 134.0 | 134.0 | 149.2 | 149.2 | 154.2 | 154.2 | 170.5 | 170.5 | 181.5 | 181.5 | 207.0 | 207.0 |
| k | 448.0 | 480.0 | 499.0 | 544.0 | 579.0 | 605.5 | 645.5 | 662.0 | 697.0 | 672.0 | 706.5 | 725.0 | 775.0 |
| kB | 492.5 | 535.0 | 554.0 | 604.0 | 639.0 | 675.5 | 715.5 | 740.5 | 775.5 | 745.0 | 779.5 | 829.5 | 879.5 |
| LB | 184.5 | 216.5 | 235.5 | 280.5 | 315.5 | 342.0 | 382.0 | 398.5 | 433.5 | 408.5 | 443.0 | 461.5 | 511.5 |
| LBL | 229.0 | 271.5 | 290.5 | 340.5 | 375.5 | 412.0 | 452.0 | 477.0 | 512.0 | 481.5 | 516.0 | 566.0 | 616.0 |

① ISO 4014 ② DIN 5480 ③ DIN 332-D ④ DIN 332 ⑤ Feather key/keyway DIN 6885-1 ⑦ ISO 4762 ⑧ Without locating shoulder +1 mm
 ⑨ Use bores only for foot-mounted design
 1) AD depends on the motor options, for other dimensions see page 8/36.

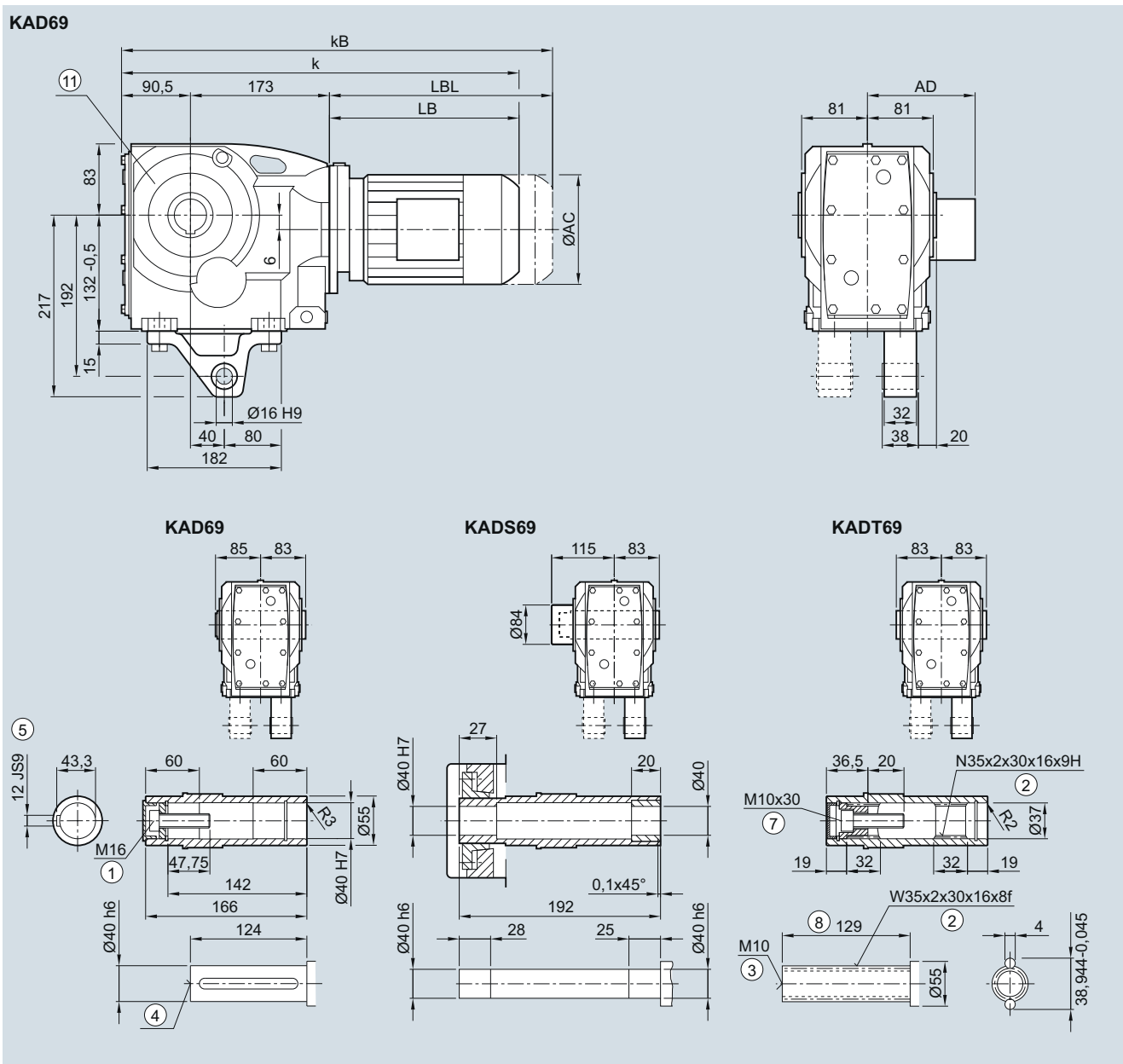
SIMOGEAR geared motors

Bevel geared motors

Dimensions

KAD.69 gearbox in a shaft-mounted design

KAD030, KADS030, KADT030

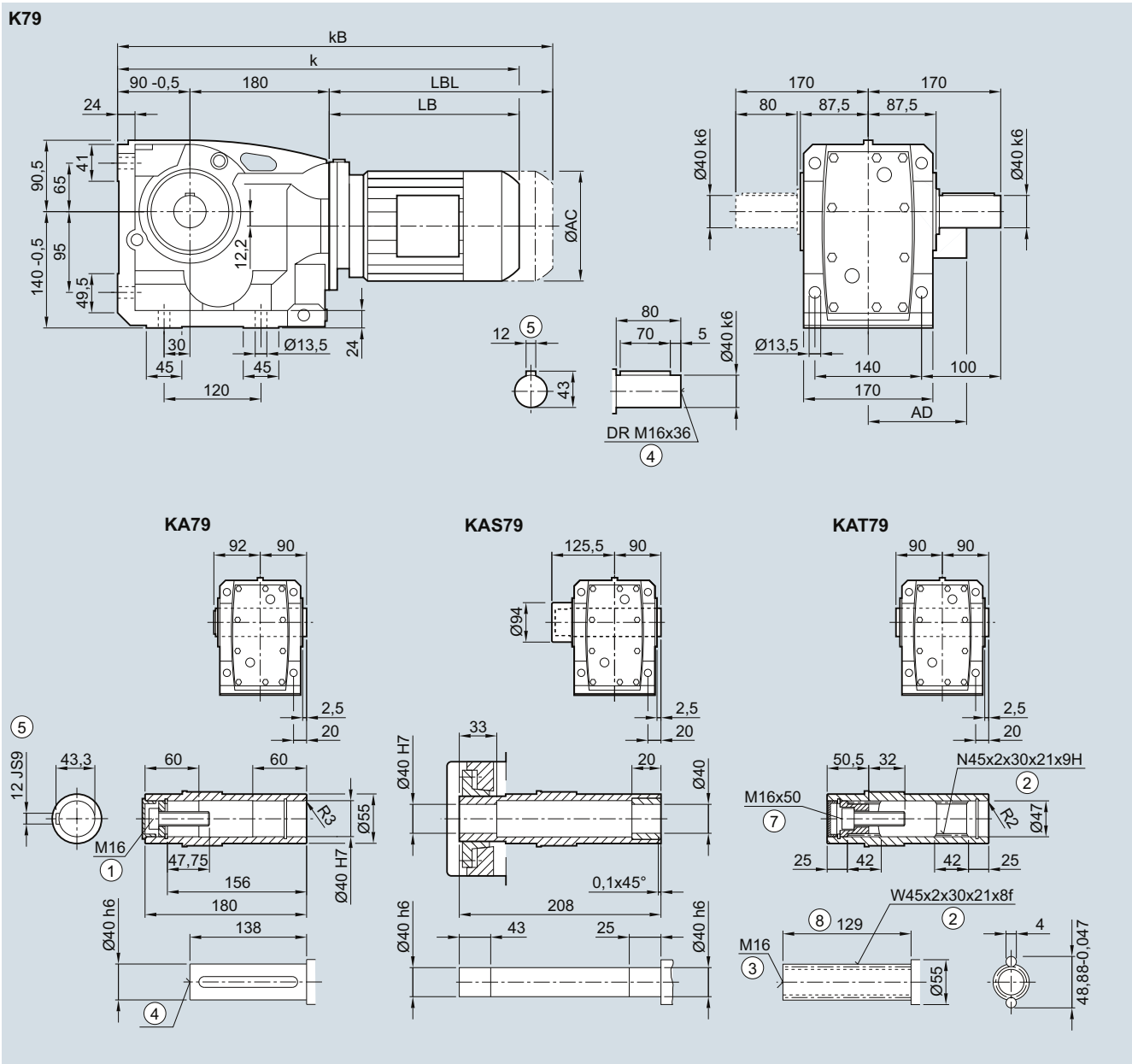


| Motor | LA 63 | 71 | 71Z | LE 80 | 80Z | 90 | 90Z | 100 | 100Z | 112 | 112Z | 132 | 132Z |
|------------------|----------|-------|-------|----------|-------|-------|-------|-------|-------|-------|-------|-------|-------|
| AC | 117.8 | 138.8 | 138.8 | 156.3 | 156.3 | 173.8 | 173.8 | 198.0 | 198.0 | 222.0 | 222.0 | 264.0 | 264.0 |
| AD ¹⁾ | 124.0 | 134.0 | 134.0 | 149.2 | 149.2 | 154.2 | 154.2 | 170.5 | 170.5 | 181.5 | 181.5 | 207.0 | 207.0 |
| k | 448.0 | 480.0 | 499.0 | 544.0 | 579.0 | 605.5 | 645.5 | 662.0 | 697.0 | 672.0 | 706.5 | 725.0 | 775.0 |
| kB | 492.5 | 535.0 | 554.0 | 604.0 | 639.0 | 675.5 | 715.5 | 740.5 | 775.5 | 745.0 | 779.5 | 829.5 | 879.5 |
| LB | 184.5 | 216.5 | 235.5 | 280.5 | 315.5 | 342.0 | 382.0 | 398.5 | 433.5 | 408.5 | 443.0 | 461.5 | 511.5 |
| LBL | 229.0 | 271.5 | 290.5 | 340.5 | 375.5 | 412.0 | 452.0 | 477.0 | 512.0 | 481.5 | 516.0 | 566.0 | 616.0 |

- ① ISO 4014 ② DIN 5480 ③ DIN 332-D ④ DIN 332 ⑤ Feather key/keyway DIN 6885-1 ⑦ ISO 4762 ⑧ Without locating shoulder +1 mm
 ⑨ Use bores only for housing flange design ⑩ AD depends on the motor options, for other dimensions see page 8/36.

K..79 gearbox in a foot-mounted design

K030, KA030, KAS030, KAT030



| Motor | LA 63 | 71 | 71Z | LE 80 | 80Z | 90 | 90Z | 100 | 100Z | 112 | 112Z | 132 | 132Z |
|------------------|-------|-------|-------|-------|-------|-------|-------|-------|-------|-------|-------|-------|-------|
| AC | 117.8 | 138.8 | 138.8 | 156.3 | 156.3 | 173.8 | 173.8 | 198.0 | 198.0 | 222.0 | 222.0 | 264.0 | 264.0 |
| AD ¹⁾ | 124.0 | 134.0 | 134.0 | 149.2 | 149.2 | 154.2 | 154.2 | 170.5 | 170.5 | 181.5 | 181.5 | 207.0 | 207.0 |
| k | 454.5 | 486.5 | 505.5 | 550.5 | 585.5 | 612.0 | 652.0 | 668.5 | 703.5 | 678.5 | 713.0 | 731.5 | 781.5 |
| kB | 499.0 | 541.5 | 560.5 | 610.5 | 645.5 | 682.0 | 722.0 | 747.0 | 782.0 | 751.5 | 786.0 | 836.0 | 886.0 |
| LB | 184.5 | 216.5 | 235.5 | 280.5 | 315.5 | 342.0 | 382.0 | 398.5 | 433.5 | 408.5 | 443.0 | 461.5 | 511.5 |
| LBL | 229.0 | 271.5 | 290.5 | 340.5 | 375.5 | 412.0 | 452.0 | 477.0 | 512.0 | 481.5 | 516.0 | 566.0 | 616.0 |

① ISO 4014 ② DIN 5480 ③ DIN 332-D ④ DIN 332 ⑤ Feather key/keyway DIN 6885-1 ⑦ ISO 4762 ⑧ Without locating shoulder +1 mm
¹⁾ AD depends on the motor options, for other dimensions see page 8/36.

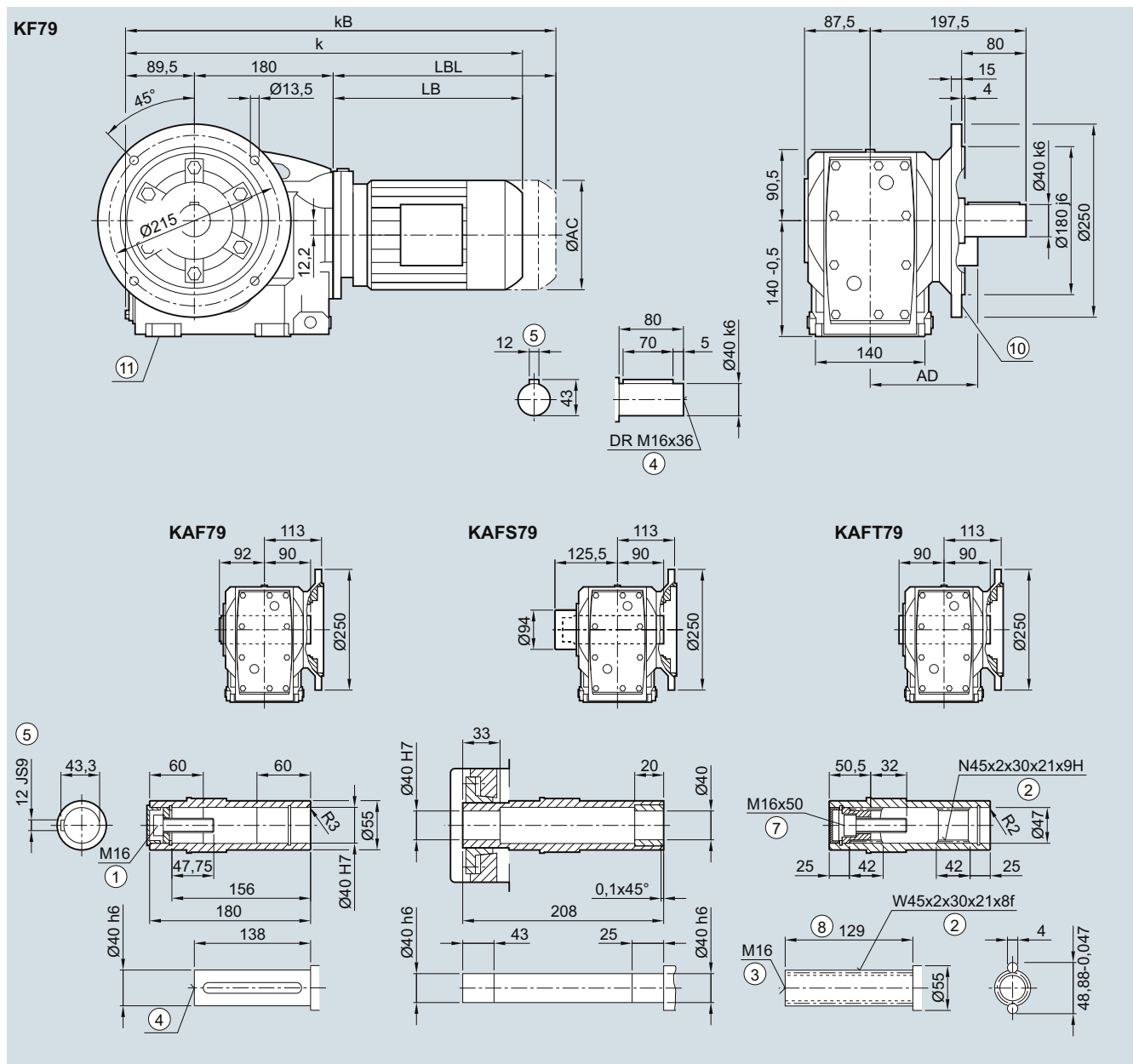
SIMOGEAR geared motors

Bevel geared motors

Dimensions

K.F.79 gearbox in a flange-mounted design

KF030, KAF030, KAFS030, KAFT030



| Motor | LA 63 | 71 | 71Z | LE 80 | 80Z | 90 | 90Z | 100 | 100Z | 112 | 112Z | 132 | 132Z |
|------------------|-------|-------|-------|-------|-------|-------|-------|-------|-------|-------|-------|-------|-------|
| AC | 117.8 | 138.8 | 138.8 | 156.3 | 156.3 | 173.8 | 173.8 | 198.0 | 198.0 | 222.0 | 222.0 | 264.0 | 264.0 |
| AD ¹⁾ | 124.0 | 134.0 | 134.0 | 149.2 | 149.2 | 154.2 | 154.2 | 170.5 | 170.5 | 181.5 | 181.5 | 207.0 | 207.0 |
| k | 454.0 | 486.0 | 505.0 | 550.0 | 585.0 | 611.5 | 651.5 | 668.0 | 703.0 | 678.5 | 712.5 | 731.0 | 781.0 |
| kB | 498.5 | 541.0 | 560.0 | 610.0 | 645.0 | 681.5 | 721.5 | 746.5 | 781.5 | 751.0 | 785.5 | 835.5 | 885.5 |
| LB | 184.5 | 216.5 | 235.5 | 280.5 | 315.5 | 342.0 | 382.0 | 398.5 | 433.5 | 408.5 | 443.0 | 461.5 | 511.5 |
| LBL | 229.0 | 271.5 | 290.5 | 340.5 | 375.5 | 412.0 | 452.0 | 477.0 | 512.0 | 481.5 | 516.0 | 566.0 | 616.0 |

① ISO 4014 ② DIN 5480 ③ DIN 332-D ④ DIN 332 ⑤ Feather key/keyway DIN 6885-1 ⑦ ISO 4762 ⑧ Without locating shoulder + 1 mm

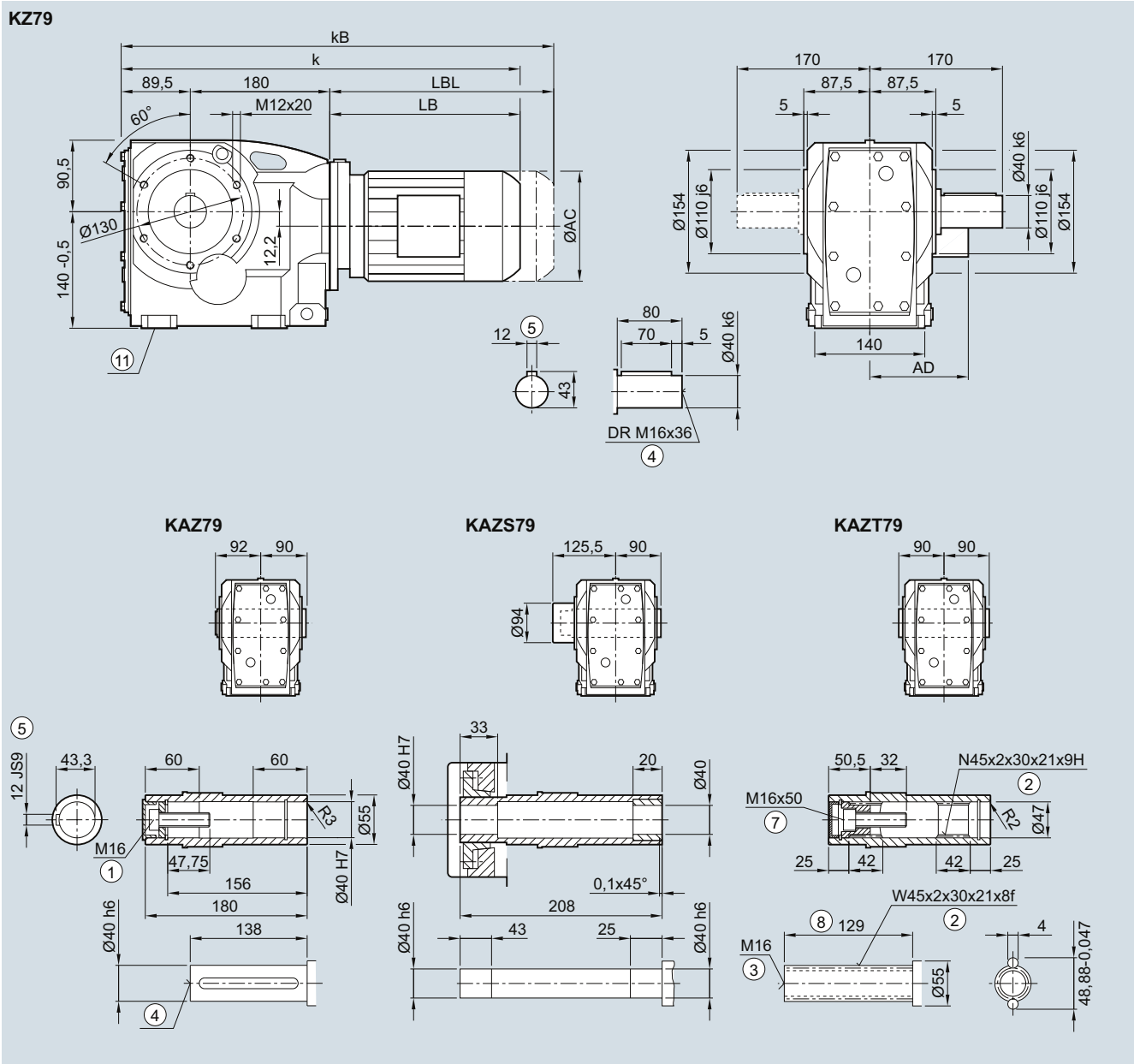
⑨ For inner contour see page 5/136

⑩ Use bores only for foot-mounted design

¹⁾ AD depends on the motor options, for other dimensions see page 8/36.

K.Z.79 gearbox in a housing flange design

KZ030, KAZ030, KAZS030, KAZT030



| Motor | LA 63 | 71 | 71Z | LE 80 | 80Z | 90 | 90Z | 100 | 100Z | 112 | 112Z | 132 | 132Z |
|------------------|-------|-------|-------|-------|-------|-------|-------|-------|-------|-------|-------|-------|-------|
| AC | 117.8 | 138.8 | 138.8 | 156.3 | 156.3 | 173.8 | 173.8 | 198.0 | 198.0 | 222.0 | 222.0 | 264.0 | 264.0 |
| AD ¹⁾ | 124.0 | 134.0 | 134.0 | 149.2 | 149.2 | 154.2 | 154.2 | 170.5 | 170.5 | 181.5 | 181.5 | 207.0 | 207.0 |
| k | 454.0 | 486.0 | 505.0 | 550.0 | 585.0 | 611.5 | 651.5 | 668.0 | 703.0 | 678.5 | 712.5 | 731.0 | 781.0 |
| kB | 498.5 | 541.0 | 560.0 | 610.0 | 645.0 | 681.5 | 721.5 | 746.5 | 781.5 | 751.0 | 785.5 | 835.5 | 885.5 |
| LB | 184.5 | 216.5 | 235.5 | 280.5 | 315.5 | 342.0 | 382.0 | 398.5 | 433.5 | 408.5 | 443.0 | 461.5 | 511.5 |
| LBL | 229.0 | 271.5 | 290.5 | 340.5 | 375.5 | 412.0 | 452.0 | 477.0 | 512.0 | 481.5 | 516.0 | 566.0 | 616.0 |

① ISO 4014 ② DIN 5480 ③ DIN 332-D ④ DIN 332 ⑤ Feather key/keyway DIN 6885-1 ⑦ ISO 4762 ⑧ Without locating shoulder +1 mm
 ⑨ Use bores only for foot-mounted design
 1) AD depends on the motor options, for other dimensions see page 8/36.

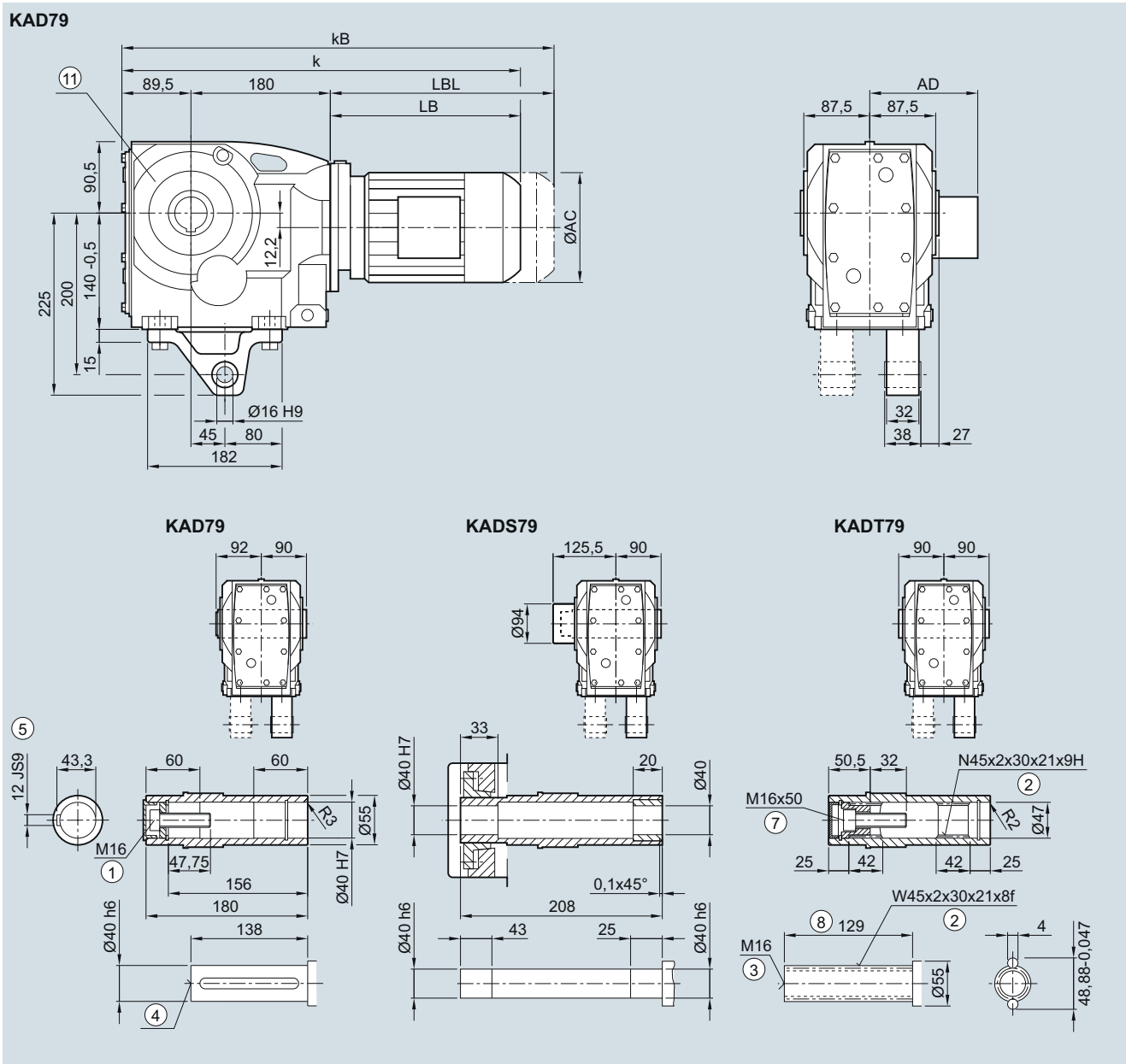
SIMOGEAR geared motors

Bevel geared motors

Dimensions

KAD.79 gearbox in a shaft-mounted design

KAD030, KADS030, KADT030

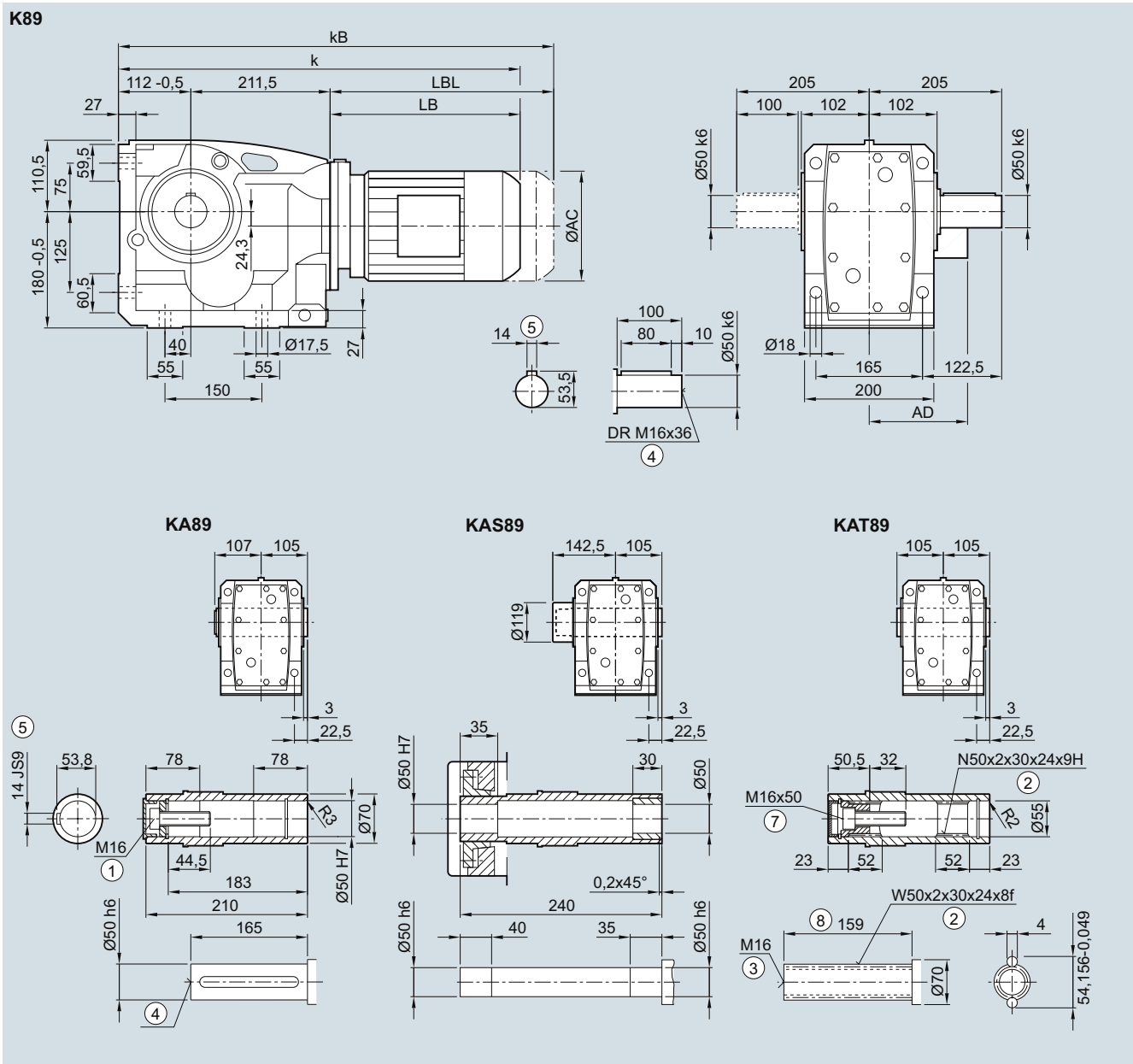


| Motor | LA 63 | 71 | 71Z | LE 80 | 80Z | 90 | 90Z | 100 | 100Z | 112 | 112Z | 132 | 132Z |
|------------------|----------|-------|-------|----------|-------|-------|-------|-------|-------|-------|-------|-------|-------|
| AC | 117.8 | 138.8 | 138.8 | 156.3 | 156.3 | 173.8 | 173.8 | 198.0 | 198.0 | 222.0 | 222.0 | 264.0 | 264.0 |
| AD ¹⁾ | 124.0 | 134.0 | 134.0 | 149.2 | 149.2 | 154.2 | 154.2 | 170.5 | 170.5 | 181.5 | 181.5 | 207.0 | 207.0 |
| k | 454.0 | 486.0 | 505.0 | 550.0 | 585.0 | 611.5 | 651.5 | 668.0 | 703.0 | 678.5 | 712.5 | 731.0 | 781.0 |
| kB | 498.5 | 541.0 | 560.0 | 610.0 | 645.0 | 681.5 | 721.5 | 746.5 | 781.5 | 751.0 | 785.5 | 835.5 | 885.5 |
| LB | 184.5 | 216.5 | 235.5 | 280.5 | 315.5 | 342.0 | 382.0 | 398.5 | 433.5 | 408.5 | 443.0 | 461.5 | 511.5 |
| LBL | 229.0 | 271.5 | 290.5 | 340.5 | 375.5 | 412.0 | 452.0 | 477.0 | 512.0 | 481.5 | 516.0 | 566.0 | 616.0 |

- ① ISO 4014 ② DIN 5480 ③ DIN 332-D ④ DIN 332 ⑤ Feather key/keyway DIN 6885-1 ⑦ ISO 4762 ⑧ Without locating shoulder +1 mm
 ⑨ Use bores only for housing flange design ⑩ AD depends on the motor options, for other dimensions see page 8/36.

K..89 gearbox in a foot-mounted design

K030, KA030, KAS030, KAT030



| Motor | LA 71 | 71Z | LE 80 | 80Z | 90 | 90Z | 100 | 100Z | 112 | 112Z | 132 | 132Z | 160 | 160Z |
|------------------|-------|-------|-------|-------|-------|-------|-------|-------|-------|-------|-------|-------|-------|---------|
| AC | 138.8 | 138.8 | 156.3 | 156.3 | 173.8 | 173.8 | 198.0 | 198.0 | 222.0 | 222.0 | 264.0 | 264.0 | 318.0 | 318.0 |
| AD ¹⁾ | 134.0 | 134.0 | 149.2 | 149.2 | 154.2 | 154.2 | 170.5 | 170.5 | 181.5 | 181.5 | 207.0 | 207.0 | 241.0 | 241.0 |
| k | 538.0 | 557.0 | 598.0 | 633.0 | 659.5 | 699.5 | 716.0 | 751.0 | 726.0 | 751.0 | 779.0 | 829.0 | 861.0 | 921.0 |
| kB | 593.0 | 612.0 | 658.0 | 693.0 | 729.5 | 769.5 | 794.5 | 829.5 | 799.0 | 824.0 | 883.5 | 933.5 | 977.0 | 1 037.0 |
| LB | 214.5 | 233.5 | 274.5 | 309.5 | 336.0 | 376.0 | 392.5 | 427.5 | 402.5 | 427.5 | 455.5 | 505.5 | 537.5 | 597.5 |
| LBL | 269.5 | 288.5 | 334.5 | 369.5 | 406.0 | 446.0 | 471.0 | 506.0 | 475.5 | 500.5 | 560.0 | 610.0 | 653.5 | 713.5 |

① ISO 4014 ② DIN 5480 ③ DIN 332-D ④ DIN 332 ⑤ Feather key/keyway DIN 6885-1 ⑦ ISO 4762 ⑧ Without locating shoulder +1 mm
¹⁾ AD depends on the motor options, for other dimensions see page 8/36.

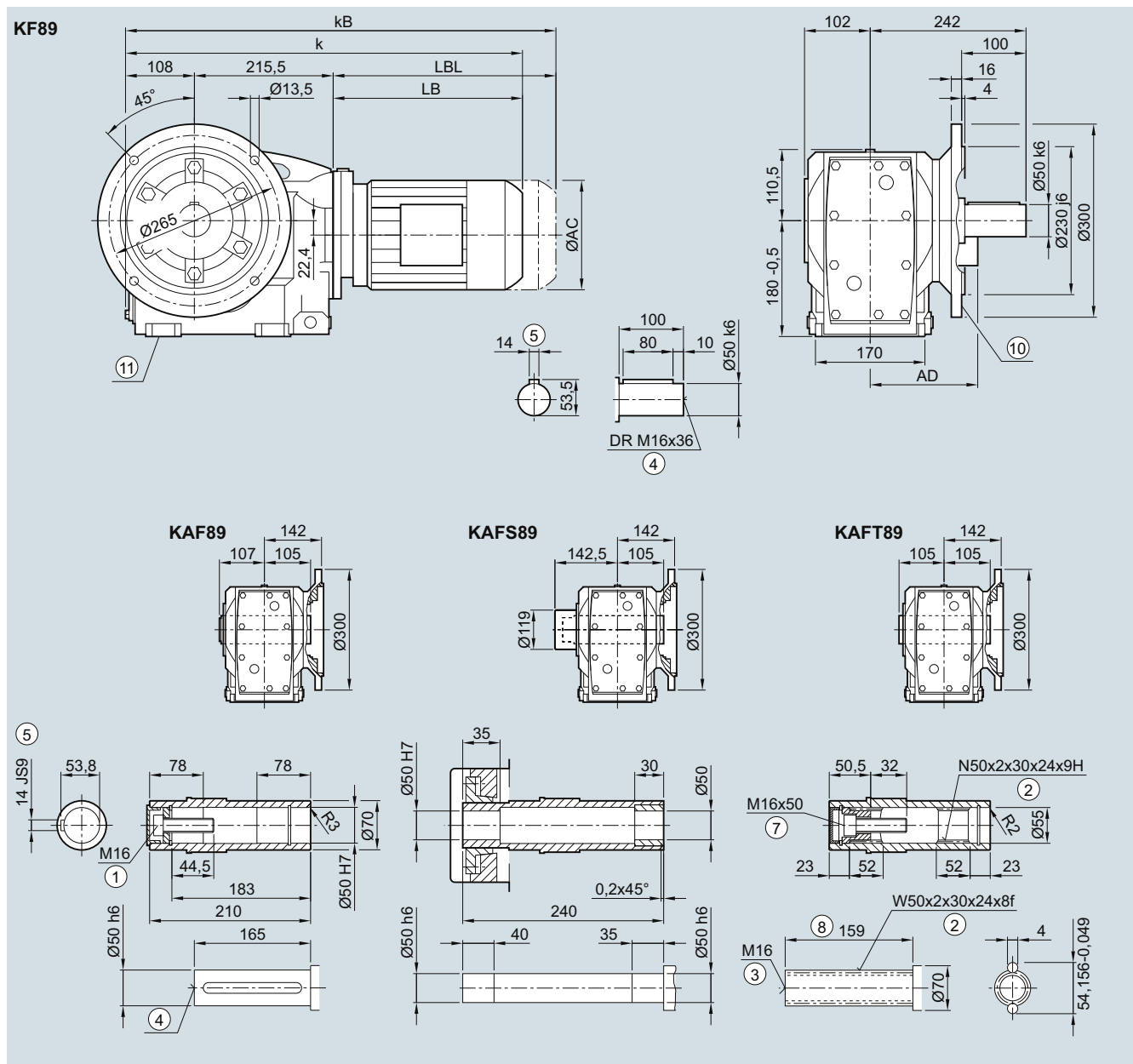
SIMOGEAR geared motors

Bevel geared motors

Dimensions

K.F.89 gearbox in a flange-mounted design

KF030, KAF030, KAFS030, KAFT030



| Motor | LA 71 | 71Z | LE 80 | 80Z | 90 | 90Z | 100 | 100Z | 112 | 112Z | 132 | 132Z | 160 | 160Z |
|------------------|-------|-------|-------|-------|-------|-------|-------|-------|-------|-------|-------|-------|-------|---------|
| AC | 138.8 | 138.8 | 156.3 | 156.3 | 173.8 | 173.8 | 198.0 | 198.0 | 222.0 | 222.0 | 264.0 | 264.0 | 318.0 | 318.0 |
| AD ¹⁾ | 134.0 | 134.0 | 149.2 | 149.2 | 154.2 | 154.2 | 170.5 | 170.5 | 181.5 | 181.5 | 207.0 | 207.0 | 241.0 | 241.0 |
| k | 538.0 | 557.0 | 598.0 | 633.0 | 659.5 | 699.5 | 716.0 | 751.0 | 726.0 | 751.0 | 779.0 | 829.0 | 861.0 | 921.0 |
| kB | 593.0 | 612.0 | 658.0 | 693.0 | 729.5 | 769.5 | 794.5 | 829.5 | 799.0 | 824.0 | 883.5 | 933.5 | 977.0 | 1 037.0 |
| LB | 214.5 | 233.5 | 274.5 | 309.5 | 336.0 | 376.0 | 392.5 | 427.5 | 402.5 | 427.5 | 455.5 | 505.5 | 537.5 | 597.5 |
| LBL | 269.5 | 288.5 | 334.5 | 369.5 | 406.0 | 446.0 | 471.0 | 506.0 | 475.5 | 500.5 | 560.0 | 610.0 | 653.5 | 713.5 |

① ISO 4014 ② DIN 5480 ③ DIN 332-D ④ DIN 332 ⑤ Feather key/keyway DIN 6885-1 ⑦ ISO 4762 ⑧ Without locating shoulder +1 mm

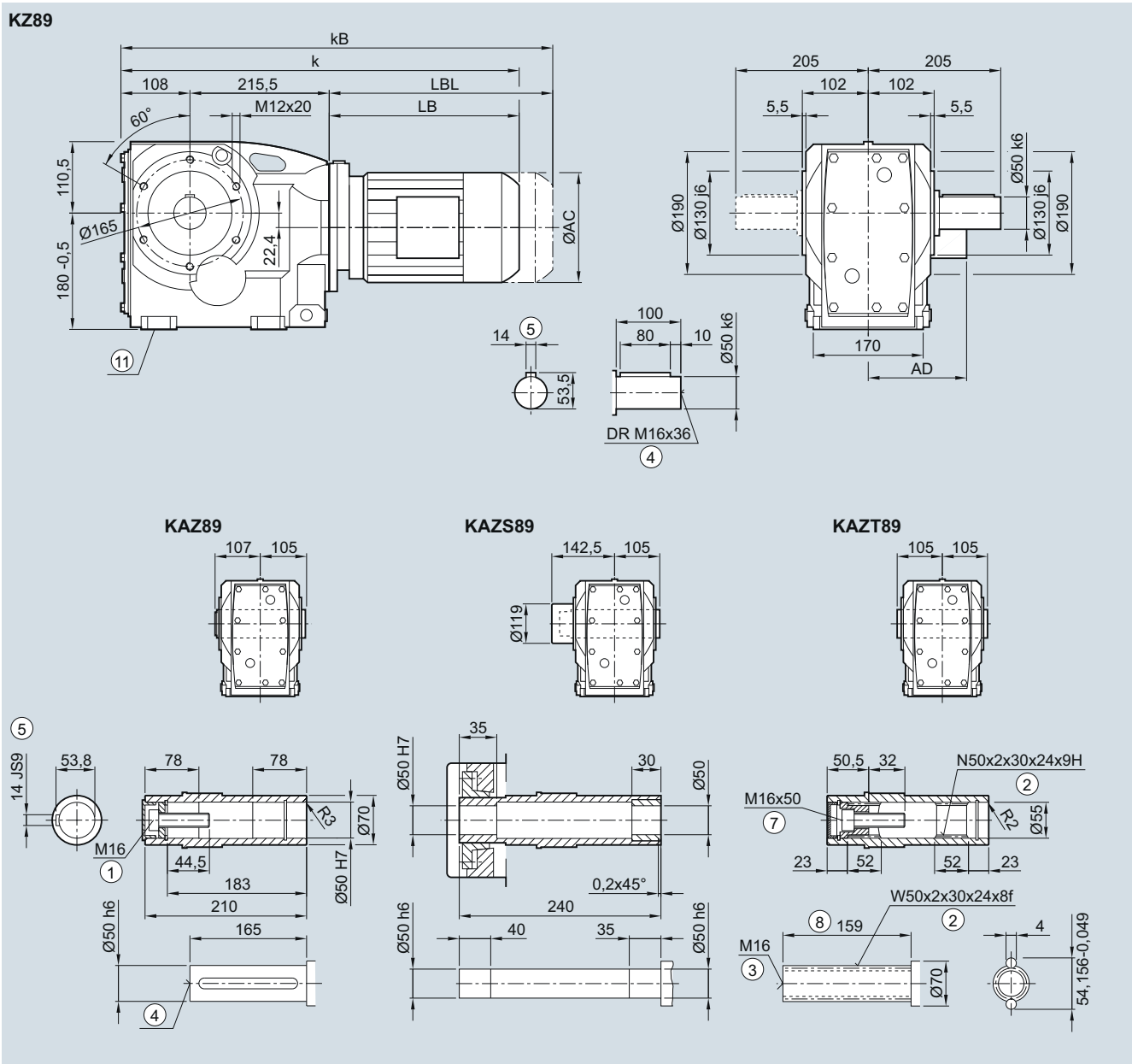
⑩ For inner contour see page 5/136

⑪ Use bores only for foot-mounted design

¹⁾ AD depends on the motor options, for other dimensions see page 8/36.

K.Z.89 gearbox in a housing flange design

KZ030, KAZ030, KAZS030, KAZT030



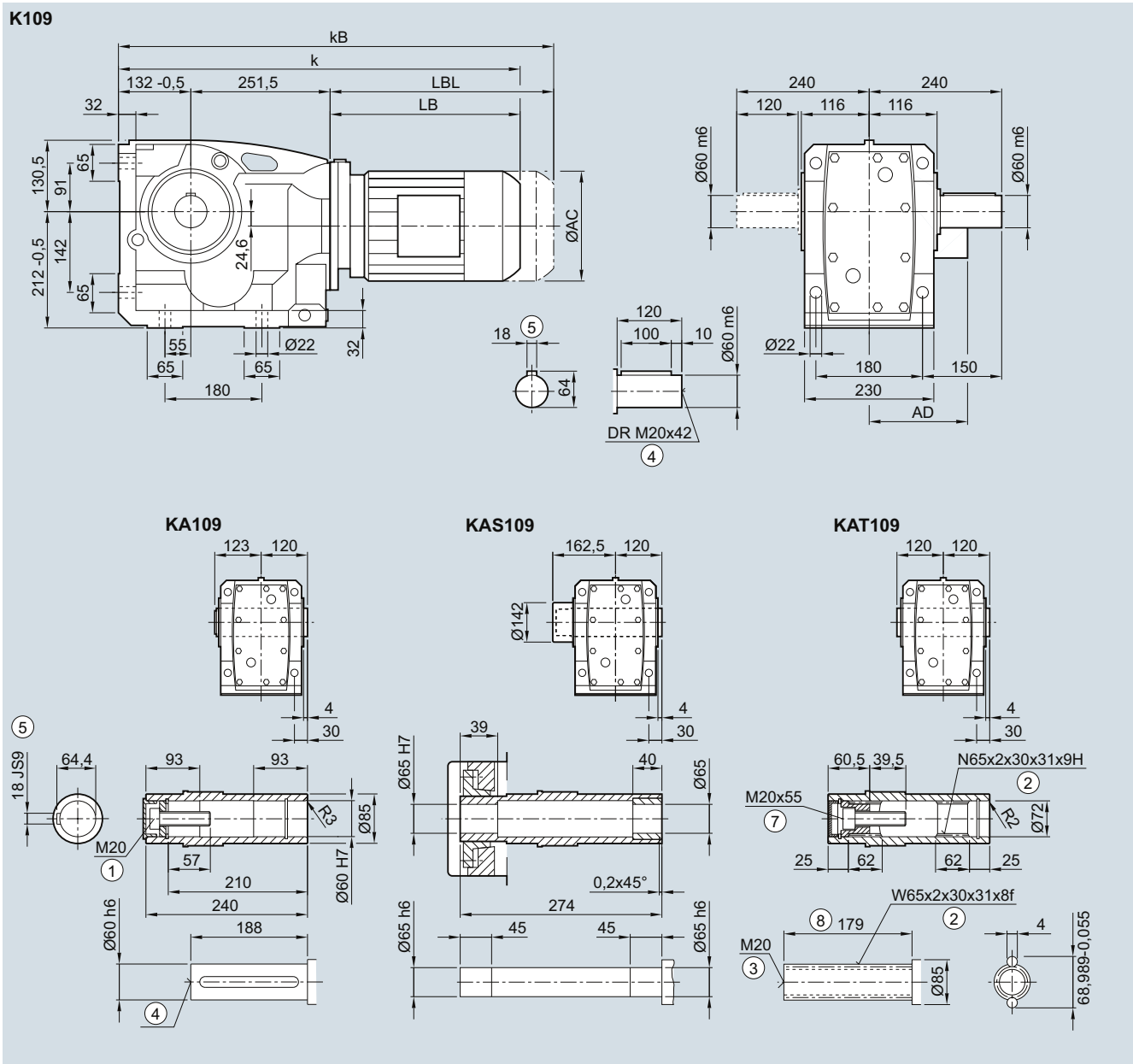
5

| Motor | LA 71 | 71Z | LE 80 | 80Z | 90 | 90Z | 100 | 100Z | 112 | 112Z | 132 | 132Z | 160 | 160Z |
|------------------|-------|-------|-------|-------|-------|-------|-------|-------|-------|-------|-------|-------|-------|---------|
| AC | 138.8 | 138.8 | 156.3 | 156.3 | 173.8 | 173.8 | 198.0 | 198.0 | 222.0 | 222.0 | 264.0 | 264.0 | 318.0 | 318.0 |
| AD ¹⁾ | 134.0 | 134.0 | 149.2 | 149.2 | 154.2 | 154.2 | 170.5 | 170.5 | 181.5 | 181.5 | 207.0 | 207.0 | 241.0 | 241.0 |
| k | 538.0 | 557.0 | 598.0 | 633.0 | 659.5 | 699.5 | 716.0 | 751.0 | 726.0 | 751.0 | 779.0 | 829.0 | 861.0 | 921.0 |
| kB | 593.0 | 612.0 | 658.0 | 693.0 | 729.5 | 769.5 | 794.5 | 829.5 | 799.0 | 824.0 | 883.5 | 933.5 | 977.0 | 1 037.0 |
| LB | 214.5 | 233.5 | 274.5 | 309.5 | 336.0 | 376.0 | 392.5 | 427.5 | 402.5 | 427.5 | 455.5 | 505.5 | 537.5 | 597.5 |
| LBL | 269.5 | 288.5 | 334.5 | 369.5 | 406.0 | 446.0 | 471.0 | 506.0 | 475.5 | 500.5 | 560.0 | 610.0 | 653.5 | 713.5 |

① ISO 4014 ② DIN 5480 ③ DIN 332-D ④ DIN 332 ⑤ Feather key/keyway DIN 6885-1 ⑦ ISO 4762 ⑧ Without locating shoulder +1 mm
 ⑨ Use bores only for foot-mounted design ⑩ AD depends on the motor options, for other dimensions see page 8/36.

K..109 gearbox in a foot-mounted design

K030, KA030, KAS030, KAT030



| Motor | LE 80 | 80Z | 90 | 90Z | 100 | 100Z | 112 | 112Z | 132 | 132Z | 160 | 160Z | LES 180 | 180Z |
|------------------|-------|-------|-------|-------|-------|-------|-------|-------|-------|-------|---------|---------|---------|---------|
| AC | 156.3 | 156.3 | 173.8 | 173.8 | 198.0 | 198.0 | 222.0 | 222.0 | 264.0 | 264.0 | 318.0 | 318.0 | 352.5 | 352.5 |
| AD ¹⁾ | 149.2 | 149.2 | 154.2 | 154.2 | 170.5 | 170.5 | 181.5 | 181.5 | 207.0 | 207.0 | 241.0 | 241.0 | 292.0 | 292.0 |
| k | 645.0 | 680.0 | 706.5 | 746.5 | 759.0 | 794.0 | 769.0 | 794.0 | 822.0 | 872.0 | 904.0 | 964.0 | 977.0 | 1 007.0 |
| kB | 705.0 | 740.0 | 776.5 | 816.5 | 837.5 | 872.5 | 842.0 | 867.0 | 926.5 | 976.5 | 1 020.0 | 1 080.0 | 1 106.0 | 1 136.0 |
| LB | 261.5 | 296.5 | 323.0 | 363.0 | 375.5 | 410.5 | 385.5 | 410.5 | 438.5 | 488.5 | 520.5 | 580.5 | 593.5 | 623.5 |
| LBL | 321.5 | 356.5 | 393.0 | 433.0 | 454.0 | 489.0 | 458.5 | 483.5 | 543.0 | 593.0 | 636.5 | 696.5 | 722.5 | 752.5 |

① ISO 4014 ② DIN 5480 ③ DIN 332-D ④ DIN 332 ⑤ Feather key/keyway DIN 6885-1 ⑦ ISO 4762 ⑧ Without locating shoulder +1 mm
¹⁾ AD depends on the motor options, for other dimensions see page 8/36.

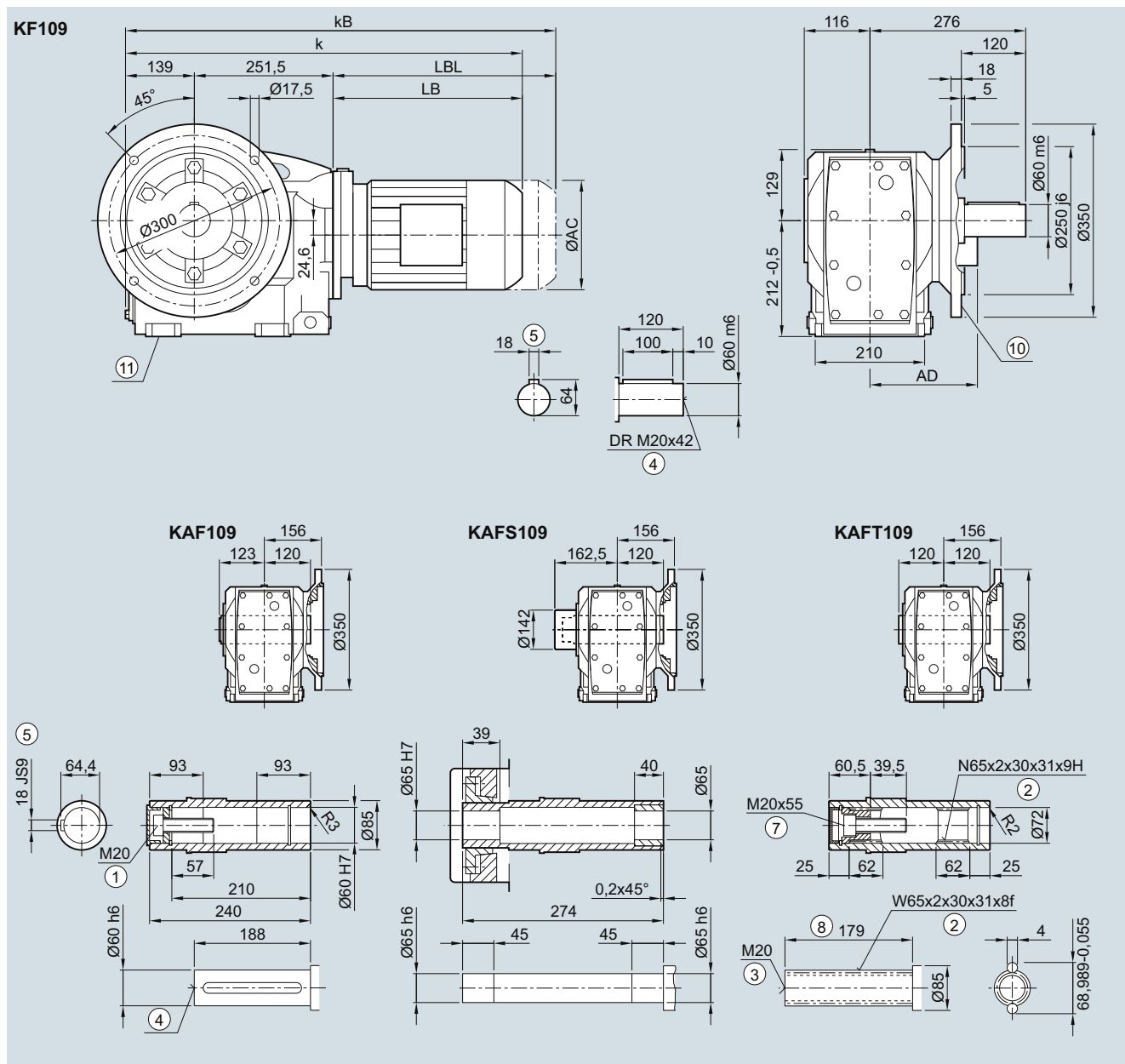
SIMOGEAR geared motors

Bevel geared motors

Dimensions

K.F.109 gearbox in a flange-mounted design

KF030, KAF030, KAFS030, KAFT030



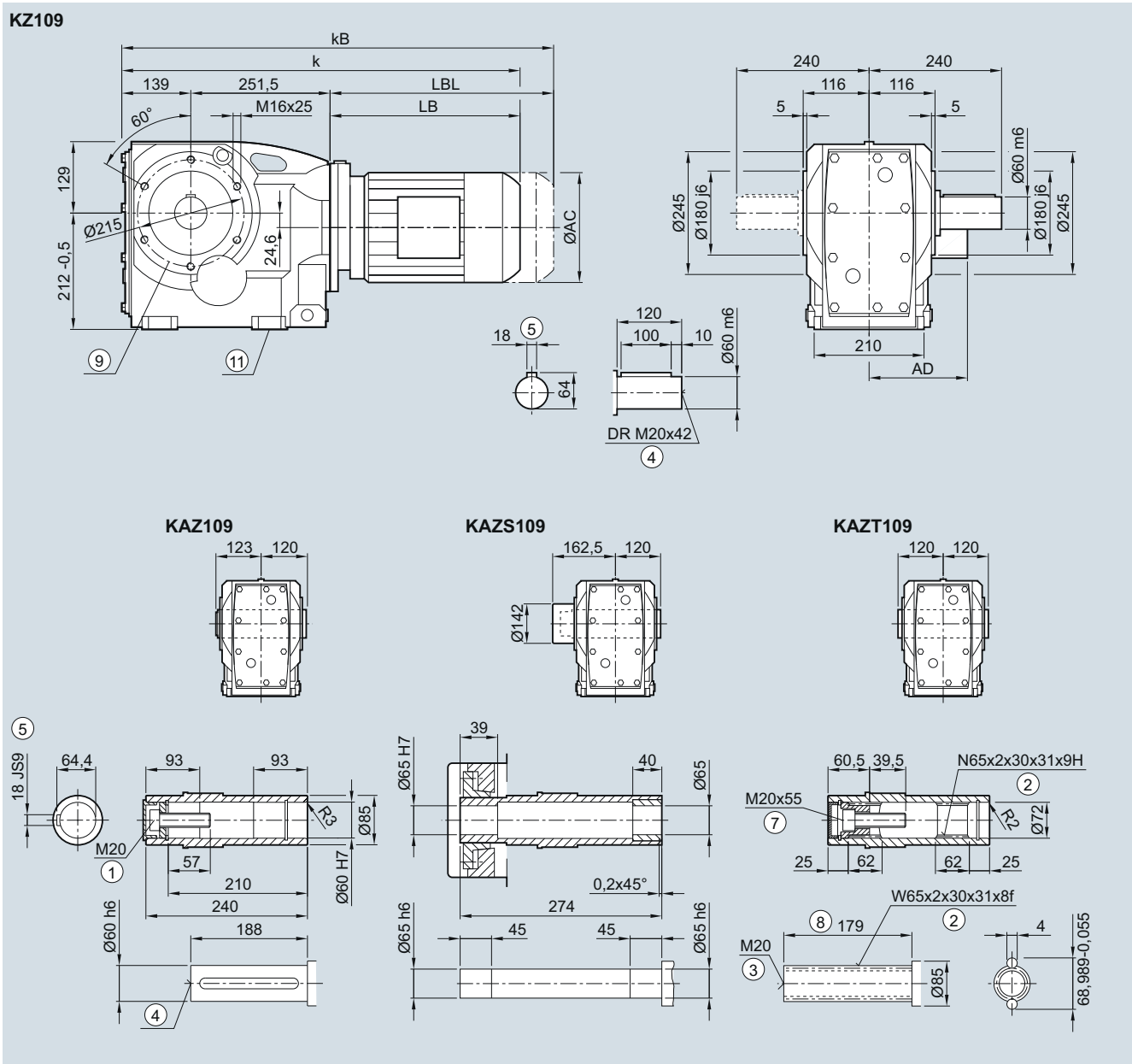
| Motor | LE 80 | 80Z | 90 | 90Z | 100 | 100Z | 112 | 112Z | 132 | 132Z | 160 | 160Z | LES 180 | 180Z |
|------------------|-------|-------|-------|-------|-------|-------|-------|-------|-------|-------|---------|---------|---------|---------|
| AC | 156.3 | 156.3 | 173.8 | 173.8 | 198.0 | 198.0 | 222.0 | 222.0 | 264.0 | 264.0 | 318.0 | 318.0 | 352.5 | 352.5 |
| AD ¹⁾ | 149.2 | 149.2 | 154.2 | 154.2 | 170.5 | 170.5 | 181.5 | 181.5 | 207.0 | 207.0 | 241.0 | 241.0 | 292.0 | 292.0 |
| k | 652.0 | 687.0 | 713.5 | 753.5 | 766.0 | 801.0 | 776.0 | 801.0 | 829.0 | 879.0 | 911.0 | 971.0 | 984.0 | 1 014.0 |
| kB | 712.0 | 747.0 | 783.5 | 823.5 | 844.5 | 879.5 | 849.0 | 874.0 | 933.5 | 983.5 | 1 027.0 | 1 087.0 | 1 113.0 | 1 143.0 |
| LB | 261.5 | 296.5 | 323.0 | 363.0 | 375.5 | 410.5 | 385.5 | 410.5 | 438.5 | 488.5 | 520.5 | 580.5 | 593.5 | 623.5 |
| LBL | 321.5 | 356.5 | 393.0 | 433.0 | 454.0 | 489.0 | 458.5 | 483.5 | 543.0 | 593.0 | 636.5 | 696.5 | 722.5 | 752.5 |

① ISO 4014 ② DIN 5480 ③ DIN 332-D ④ DIN 332 ⑤ Feather key/keyway DIN 6885-1 ⑦ ISO 4762 ⑧ Without locating shoulder +1 mm

⑩ For inner contour see page 5/136

⑪ Use bores only for foot-mounted design

¹⁾ AD depends on the motor options, for other dimensions see page 8/36.

K.Z.109 gearbox in a housing flange design
KZ030, KAZ030, KAZS030, KAZT030


| Motor | LE 80 | 80Z | 90 | 90Z | 100 | 100Z | 112 | 112Z | 132 | 132Z | 160 | 160Z | LES 180 | 180Z |
|------------------|-------|-------|-------|-------|-------|-------|-------|-------|-------|-------|---------|---------|---------|---------|
| AC | 156.3 | 156.3 | 173.8 | 173.8 | 198.0 | 198.0 | 222.0 | 222.0 | 264.0 | 264.0 | 318.0 | 318.0 | 352.5 | 352.5 |
| AD ¹⁾ | 149.2 | 149.2 | 154.2 | 154.2 | 170.5 | 170.5 | 181.5 | 181.5 | 207.0 | 207.0 | 241.0 | 241.0 | 292.0 | 292.0 |
| k | 652.0 | 687.0 | 713.5 | 753.5 | 766.0 | 801.0 | 776.0 | 801.0 | 829.0 | 879.0 | 911.0 | 971.0 | 984.0 | 1 014.0 |
| kB | 712.0 | 747.0 | 783.5 | 823.5 | 844.5 | 879.5 | 849.0 | 874.0 | 933.5 | 983.5 | 1 027.0 | 1 087.0 | 1 113.0 | 1 143.0 |
| LB | 261.5 | 296.5 | 323.0 | 363.0 | 375.5 | 410.5 | 385.5 | 410.5 | 438.5 | 488.5 | 520.5 | 580.5 | 593.5 | 623.5 |
| LBL | 321.5 | 356.5 | 393.0 | 433.0 | 454.0 | 489.0 | 458.5 | 483.5 | 543.0 | 593.0 | 636.5 | 696.5 | 722.5 | 752.5 |

① ISO 4014 ② DIN 5480 ③ DIN 332-D ④ DIN 332 ⑤ Feather key/keyway DIN 6885-1 ⑦ ISO 4762 ⑧ Without locating shoulder +1 mm

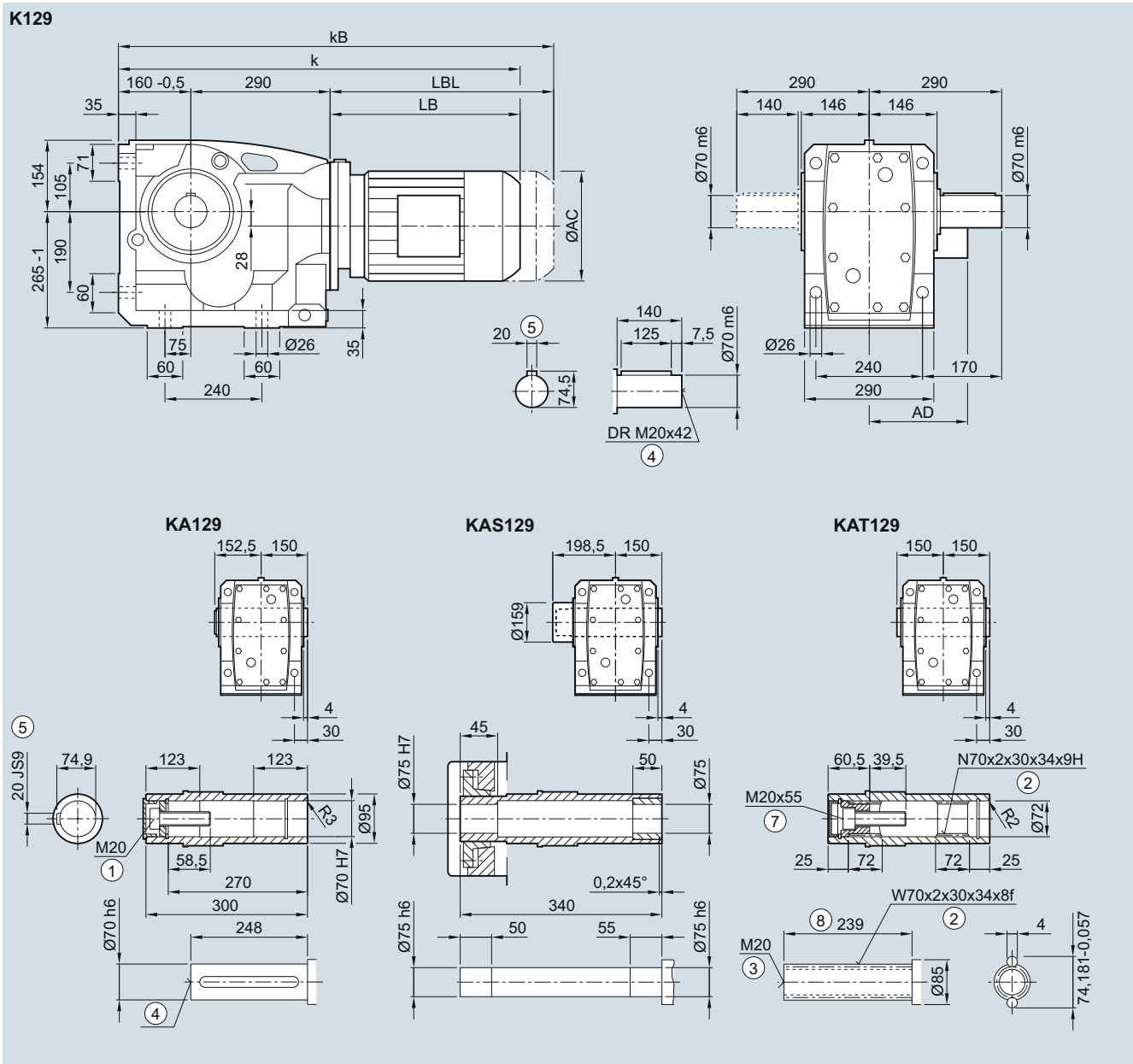
⑨ For pin holes see page 5/137

⑩ Use bores only for foot-mounted design

1) AD depends on the motor options, for other dimensions see page 8/36.

K..129 gearbox in a foot-mounted design

K030, KA030, KAS030, KAT030



| Motor | LE | | | | | | | | | | LES | | | | | |
|------------------|-------|-------|-------|-------|-------|-------|-------|---------|---------|---------|---------|---------|---------|---------|---------|---------|
| | 90 | 90Z | 100 | 100Z | 112 | 112Z | 132 | 132Z | 160 | 160Z | 180 | 180Z | 200 | 200Z | 225 | 225Y |
| AC | 173.8 | 173.8 | 198.0 | 198.0 | 222.0 | 222.0 | 264.0 | 264.0 | 318.0 | 318.0 | 352.5 | 352.5 | 392.5 | 392.5 | 439.0 | 439.0 |
| AD ¹⁾ | 154.2 | 154.2 | 170.5 | 170.5 | 181.5 | 181.5 | 207.0 | 207.0 | 241.0 | 241.0 | 292.0 | 292.0 | 315.0 | 315.0 | 382.0 | 382.0 |
| k | 766.0 | 806.0 | 816.5 | 851.5 | 826.5 | 851.5 | 879.5 | 929.5 | 961.5 | 1 021.5 | 1 034.5 | 1 064.5 | 1 102.5 | 1 127.5 | 1 148.0 | 1 208.0 |
| kB | 836.0 | 876.0 | 895.0 | 930.0 | 899.5 | 924.5 | 984.0 | 1 034.0 | 1 077.5 | 1 137.5 | 1 163.5 | 1 193.5 | 1 249.5 | 1 274.5 | 1 376.0 | 1 436.0 |
| LB | 316.0 | 356.0 | 366.5 | 401.5 | 376.5 | 401.5 | 429.5 | 479.5 | 511.5 | 571.5 | 584.5 | 614.5 | 652.5 | 677.5 | 698.0 | 758.0 |
| LBL | 386.0 | 426.0 | 445.0 | 480.0 | 449.5 | 474.5 | 534.0 | 584.0 | 627.5 | 687.5 | 713.5 | 743.5 | 799.5 | 824.5 | 926 | 986 |

① ISO 4014 ② DIN 5480 ③ DIN 332-D ④ DIN 332 ⑤ Feather key/keyway DIN 6885-1 ⑦ ISO 4762 ⑧ Without locating shoulder +1 mm
¹⁾ AD depends on the motor options, for other dimensions see page 8/36.

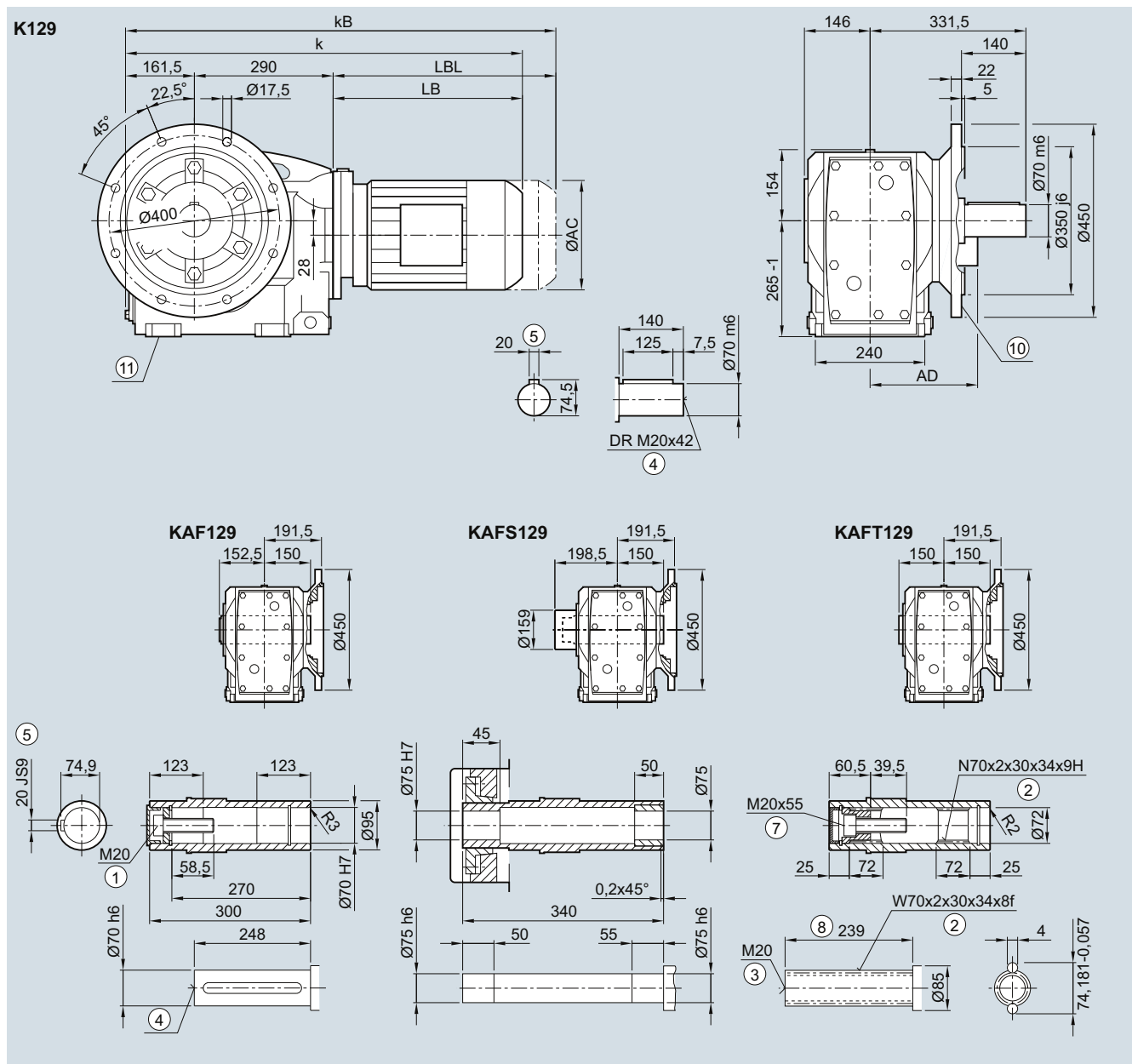
SIMOGEAR geared motors

Bevel geared motors

Dimensions

K.F.129 gearbox in a flange-mounted design

KF030, KAF030, KAFS030, KAFT030



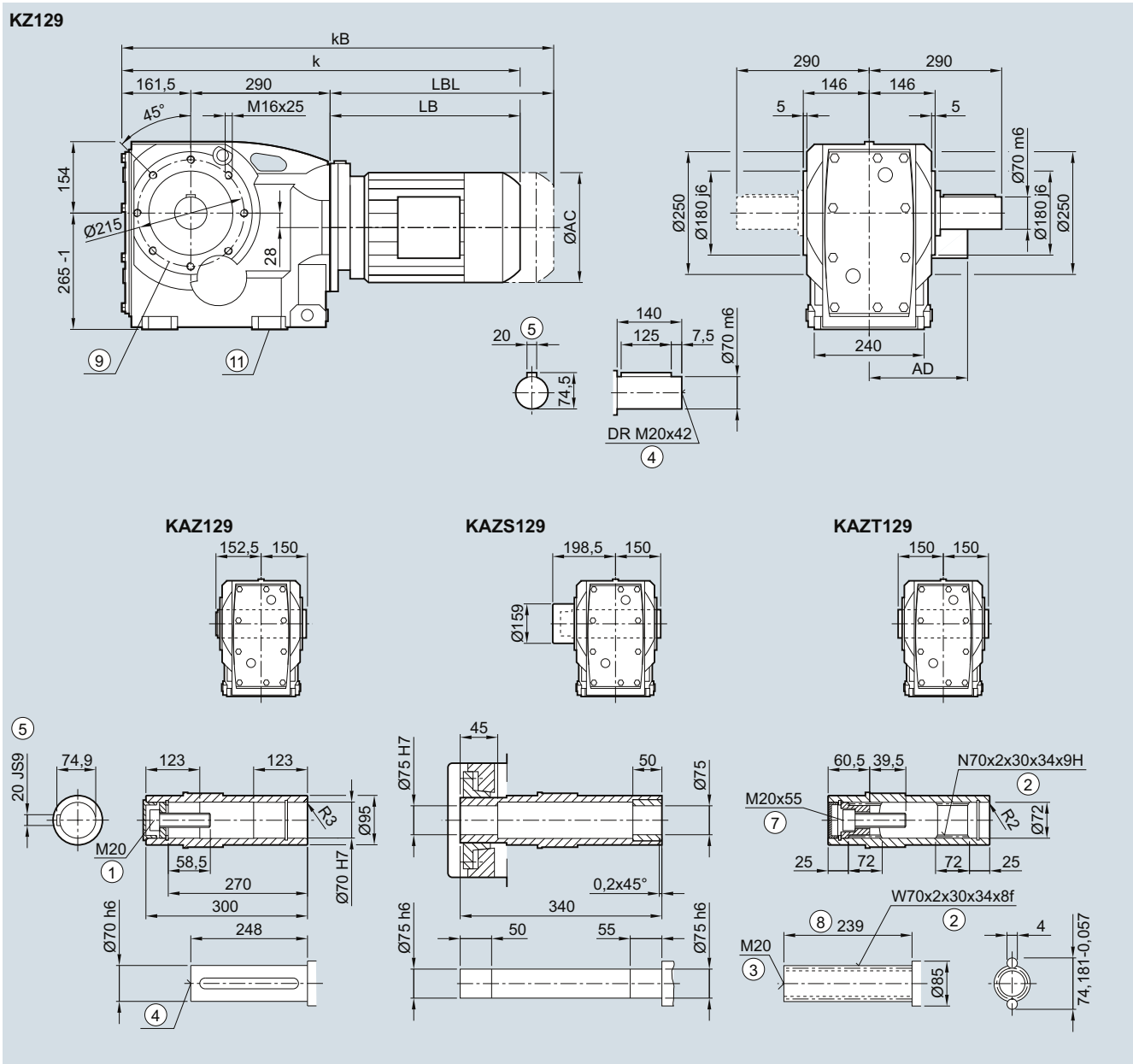
| Motor | LE | | | | | | | | | | LES | | | | | |
|------------------|-------|-------|-------|-------|-------|-------|-------|---------|---------|---------|---------|---------|---------|---------|---------|---------|
| | 90 | 90Z | 100 | 100Z | 112 | 112Z | 132 | 132Z | 160 | 160Z | 180 | 180Z | 200 | 200Z | 225 | 225Y |
| AC | 173.8 | 173.8 | 198.0 | 198.0 | 222.0 | 222.0 | 264.0 | 264.0 | 318.0 | 318.0 | 352.5 | 352.5 | 392.5 | 392.5 | 439.0 | 439.0 |
| AD ¹⁾ | 154.2 | 154.2 | 170.5 | 170.5 | 181.5 | 181.5 | 207.0 | 207.0 | 241.0 | 241.0 | 292.0 | 292.0 | 315.0 | 315.0 | 382.0 | 382.0 |
| k | 767.5 | 807.5 | 818.0 | 853.0 | 828.0 | 853.0 | 881.0 | 931.0 | 963.0 | 1 023.0 | 1 036.0 | 1 066.0 | 1 104.0 | 1 129.0 | 1 149.5 | 1 209.5 |
| kB | 837.5 | 877.5 | 896.5 | 931.5 | 901.0 | 926.0 | 985.5 | 1 035.5 | 1 079.0 | 1 139.0 | 1 165.0 | 1 195.0 | 1 251.0 | 1 276.0 | 1 377.5 | 1 437.5 |
| LB | 316.0 | 356.0 | 366.5 | 401.5 | 376.5 | 401.5 | 429.5 | 479.5 | 511.5 | 571.5 | 584.5 | 614.5 | 652.5 | 677.5 | 698.0 | 758.0 |
| LBL | 386.0 | 426.0 | 445.0 | 480.0 | 449.5 | 474.5 | 534.0 | 584.0 | 627.5 | 687.5 | 713.5 | 743.5 | 799.5 | 824.5 | 926.0 | 986.0 |

① ISO 4014 ② DIN 5480 ③ DIN 332-D ④ DIN 332 ⑤ Feather key/keyway DIN 6885-1 ⑦ ISO 4762 ⑧ Without locating shoulder +1 mm

⑩ For inner contour see page 5/136

⑪ Use bores only for foot-mounted design

¹⁾ AD depends on the motor options, for other dimensions see page 8/36.

K.Z.129 gearbox in a housing flange design
KZ030, KAZ030, KAZS030, KAZT030


| Motor | LE | | | | | | | | | | LES | | | | | |
|------------------|-------|-------|-------|-------|-------|-------|-------|---------|---------|---------|---------|---------|---------|---------|---------|---------|
| | 90 | 90Z | 100 | 100Z | 112 | 112Z | 132 | 132Z | 160 | 160Z | 180 | 180Z | 200 | 200Z | 225 | 225Y |
| AC | 173.8 | 173.8 | 198.0 | 198.0 | 222.0 | 222.0 | 264.0 | 264.0 | 318.0 | 318.0 | 352.5 | 352.5 | 392.5 | 392.5 | 439.0 | 439.0 |
| AD ¹⁾ | 154.2 | 154.2 | 170.5 | 170.5 | 181.5 | 181.5 | 207.0 | 207.0 | 241.0 | 241.0 | 292.0 | 292.0 | 315.0 | 315.0 | 382.0 | 382.0 |
| k | 767.5 | 807.5 | 818.0 | 853.0 | 828.0 | 853.0 | 881.0 | 931.0 | 963.0 | 1 023.0 | 1 036.0 | 1 066.0 | 1 104.0 | 1 129.0 | 1 149.5 | 1 209.5 |
| kB | 837.5 | 877.5 | 896.5 | 931.5 | 901.0 | 926.0 | 985.5 | 1 035.5 | 1 079.0 | 1 139.0 | 1 165.0 | 1 195.0 | 1 251.0 | 1 276.0 | 1 377.5 | 1 437.5 |
| LB | 316.0 | 356.0 | 366.5 | 401.5 | 376.5 | 401.5 | 429.5 | 479.5 | 511.5 | 571.5 | 584.5 | 614.5 | 652.5 | 677.5 | 698.0 | 758.0 |
| LBL | 386.0 | 426.0 | 445.0 | 480.0 | 449.5 | 474.5 | 534.0 | 584.0 | 627.5 | 687.5 | 713.5 | 743.5 | 799.5 | 824.5 | 926.0 | 986.0 |

① ISO 4014 ② DIN 5480 ③ DIN 332-D ④ DIN 332 ⑤ Feather key/keyway DIN 6885-1 ⑦ ISO 4762 ⑧ Without locating shoulder +1 mm

⑨ For pin holes see page 5/137

⑩ Use bores only for foot-mounted design

1) AD depends on the motor options, for other dimensions see page 8/36.

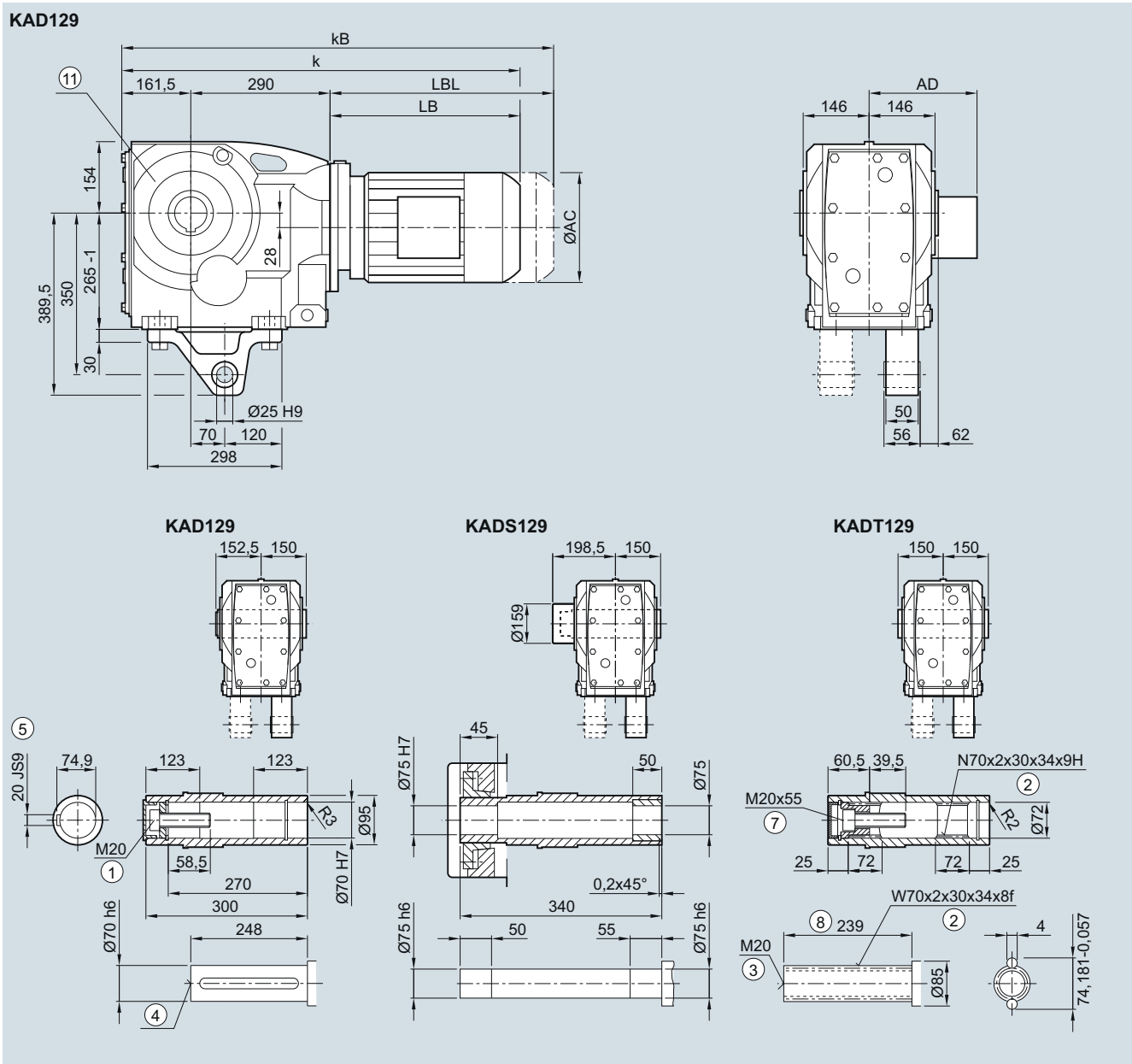
SIMOGEAR geared motors

Bevel geared motors

Dimensions

KAD.129 gearbox in a shaft-mounted design

KAD030, KADS030, KADT030

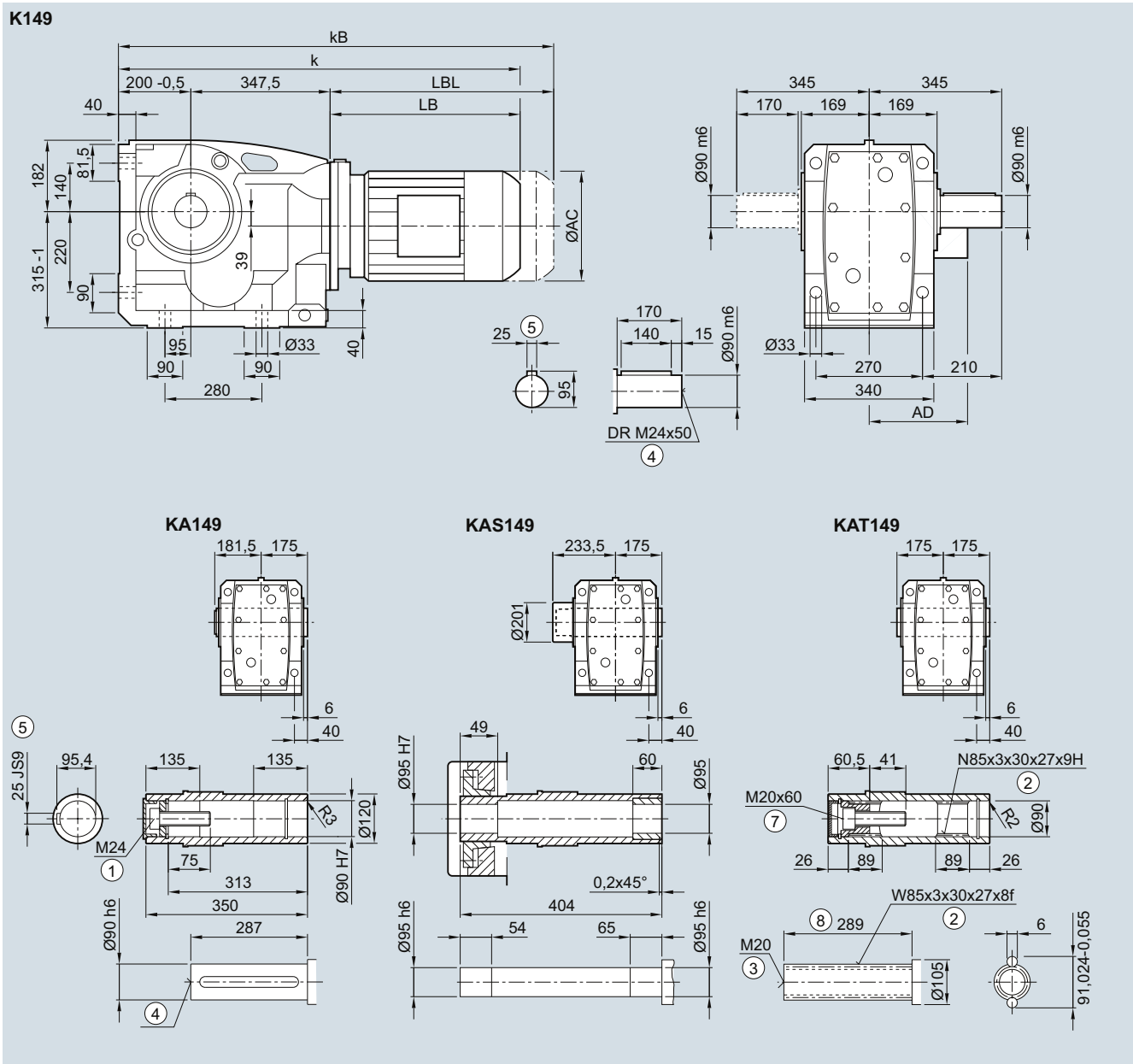


| Motor | LE | | | | | | | | | | LES | | | | | |
|------------------|-------|-------|-------|-------|-------|-------|-------|---------|---------|---------|---------|---------|---------|---------|---------|---------|
| | 90 | 90Z | 100 | 100Z | 112 | 112Z | 132 | 132Z | 160 | 160Z | 180 | 180Z | 200 | 200Z | 225 | 225Y |
| AC | 173.8 | 173.8 | 198.0 | 198.0 | 222.0 | 222.0 | 264.0 | 264.0 | 318.0 | 318.0 | 352.5 | 352.5 | 392.5 | 392.5 | 439.0 | 439.0 |
| AD ¹⁾ | 154.2 | 154.2 | 170.5 | 170.5 | 181.5 | 181.5 | 207.0 | 207.0 | 241.0 | 241.0 | 292.0 | 292.0 | 315.0 | 315.0 | 382.0 | 382.0 |
| k | 767.5 | 807.5 | 818.0 | 853.0 | 828.0 | 853.0 | 881.0 | 931.0 | 963.0 | 1 023.0 | 1 036.0 | 1 066.0 | 1 104.0 | 1 129.0 | 1 149.5 | 1 209.5 |
| kB | 837.5 | 877.5 | 896.5 | 931.5 | 901.0 | 926.0 | 985.5 | 1 035.5 | 1 079.0 | 1 139.0 | 1 165.0 | 1 195.0 | 1 251.0 | 1 276.0 | 1 377.5 | 1 437.5 |
| LB | 316.0 | 356.0 | 366.5 | 401.5 | 376.5 | 401.5 | 429.5 | 479.5 | 511.5 | 571.5 | 584.5 | 614.5 | 652.5 | 677.5 | 698.0 | 758.0 |
| LBL | 386.0 | 426.0 | 445.0 | 480.0 | 449.5 | 474.5 | 534.0 | 584.0 | 627.5 | 687.5 | 713.5 | 743.5 | 799.5 | 824.5 | 926.0 | 986.0 |

- ① ISO 4014 ② DIN 5480 ③ DIN 332-D ④ DIN 332 ⑤ Feather key/keyway DIN 6885-1 ⑦ ISO 4762 ⑧ Without locating shoulder +1 mm
 ⑨ Use bores only for housing flange design ⑩ AD depends on the motor options, for other dimensions see page 8/36.

K..149 gearbox in a foot-mounted design

K030, KA030, KAS030, KAT030



| Motor | LE | | | | | | | | | | LES | | | | | | |
|------------------|-------|-------|-------|--------|-------|--------|--------|--------|--------|--------|--------|--------|--------|--------|--------|--------|--------|
| | 90 | 90Z | 100 | 100Z | 112 | 112Z | 132 | 132Z | 160 | 160Z | 180 | 180Z | 200 | 200Z | 225 | 225Y | 250 |
| AC | 173.8 | 173.8 | 198.0 | 198.0 | 222.0 | 222.0 | 264.0 | 264.0 | 318.0 | 318.0 | 352.5 | 352.5 | 392.5 | 392.5 | 439.0 | 439.0 | 487.0 |
| AD ¹⁾ | 154.2 | 154.2 | 170.5 | 170.5 | 181.5 | 181.5 | 207.0 | 207.0 | 241.0 | 241.0 | 292.0 | 292.0 | 315.0 | 315.0 | 382.0 | 382.0 | 457.5 |
| k | 856.5 | 896.5 | 905.0 | 940.0 | 915.0 | 940.0 | 966.0 | 1016.0 | 1048.0 | 1108.0 | 1121.0 | 1151.0 | 1189.0 | 1214.0 | 1240.5 | 1300.5 | 1346.0 |
| kB | 926.5 | 966.5 | 983.5 | 1018.5 | 988.0 | 1013.0 | 1070.5 | 1120.5 | 1164.0 | 1224.0 | 1250.0 | 1280.0 | 1336.0 | 1361.0 | 1468.5 | 1528.5 | 1571.0 |
| LB | 309.0 | 349.0 | 357.5 | 392.5 | 367.5 | 392.5 | 418.5 | 468.5 | 500.5 | 560.5 | 573.5 | 603.5 | 641.5 | 666.5 | 693.0 | 753.0 | 798.5 |
| LBL | 379.0 | 419.0 | 436.0 | 471.0 | 440.5 | 465.5 | 523.0 | 573.0 | 616.5 | 676.5 | 702.5 | 732.5 | 788.5 | 813.5 | 921.0 | 981.0 | 1023.5 |

① ISO 4014 ② DIN 5480 ③ DIN 332-D ④ DIN 332 ⑤ Feather key/keyway DIN 6885-1 ⑦ ISO 4762 ⑧ Without locating shoulder +1 mm
¹⁾ AD depends on the motor options, for other dimensions see page 8/36.

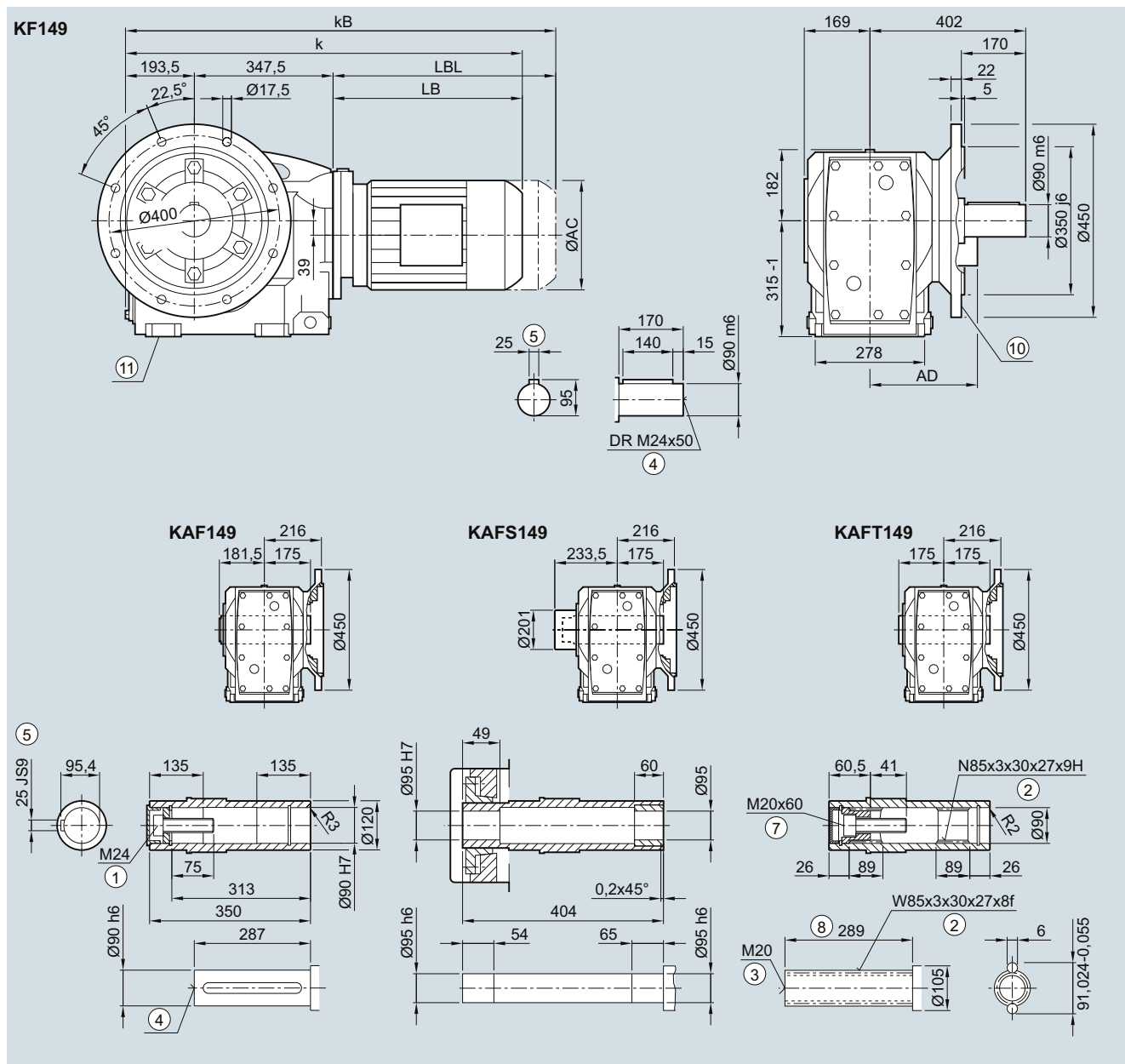
SIMOGEAR geared motors

Bevel geared motors

Dimensions

K.F.149 gearbox in a flange-mounted design

KF030, KAF030, KAFS030, KAFT030



| Motor | LE | | | | | | | | | | LES | | | | | | | |
|------------------|-------|-------|-------|--------|-------|--------|--------|--------|--------|--------|--------|--------|--------|--------|--------|--------|--------|--|
| | 90 | 90Z | 100 | 100Z | 112 | 112Z | 132 | 132Z | 160 | 160Z | 180 | 180Z | 200 | 200Z | 225 | 225Y | 250 | |
| AC | 173.8 | 173.8 | 198.0 | 198.0 | 222.0 | 222.0 | 264.0 | 264.0 | 318.0 | 318.0 | 352.5 | 352.5 | 392.5 | 392.5 | 439.0 | 439.0 | 487.0 | |
| AD ¹⁾ | 154.2 | 154.2 | 170.5 | 170.5 | 181.5 | 181.5 | 207.0 | 207.0 | 241.0 | 241.0 | 292.0 | 292.0 | 315.0 | 315.0 | 382.0 | 382.0 | 457.5 | |
| k | 850.0 | 890.0 | 898.5 | 933.5 | 908.5 | 933.5 | 959.5 | 1009.5 | 1041.5 | 1101.5 | 1114.5 | 1144.5 | 1182.5 | 1207.5 | 1234.0 | 1294.0 | 1339.5 | |
| kB | 920.0 | 960.0 | 977.0 | 1012.0 | 981.5 | 1006.5 | 1064.0 | 1114.0 | 1157.5 | 1217.5 | 1243.5 | 1273.5 | 1329.5 | 1354.5 | 1462.0 | 1522.0 | 1564.5 | |
| LB | 309.0 | 349.0 | 357.5 | 392.5 | 367.5 | 392.5 | 418.5 | 468.5 | 500.5 | 560.5 | 573.5 | 603.5 | 641.5 | 666.5 | 693.0 | 753.0 | 798.5 | |
| LBL | 379.0 | 419.0 | 436.0 | 471.0 | 440.5 | 465.5 | 523.0 | 573.0 | 616.5 | 676.5 | 702.5 | 732.5 | 788.5 | 813.5 | 921.0 | 981.0 | 1023.5 | |

① ISO 4014 ② DIN 5480 ③ DIN 332-D ④ DIN 332 ⑤ Feather key/keyway DIN 6885-1 ⑦ ISO 4762 ⑧ Without locating shoulder +1 mm

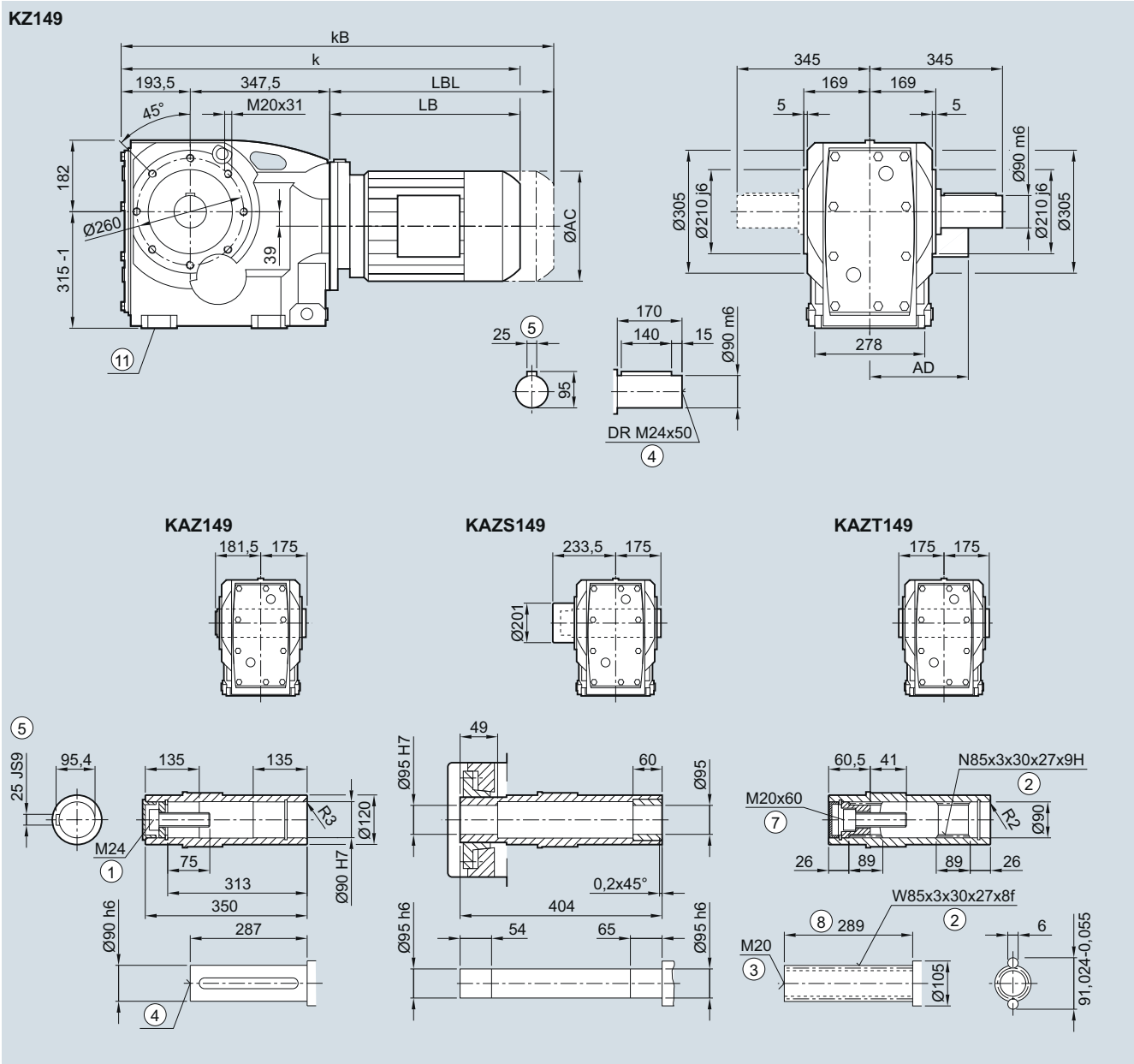
⑩ For inner contour see page 5/136

⑪ Use bores only for foot-mounted design

¹⁾ AD depends on the motor options, for other dimensions see page 8/36.

K.Z.149 gearbox in a housing flange design

KZ030, KAZ030, KAZS030, KAZT030



| Motor | LE | | | | | | | | | | LES | | | | | | |
|------------------|-------|-------|-------|--------|-------|--------|--------|--------|--------|--------|--------|--------|--------|--------|--------|--------|--------|
| | 90 | 90Z | 100 | 100Z | 112 | 112Z | 132 | 132Z | 160 | 160Z | 180 | 180Z | 200 | 200Z | 225 | 225Y | 250 |
| AC | 173.8 | 173.8 | 198.0 | 198.0 | 222.0 | 222.0 | 264.0 | 264.0 | 318.0 | 318.0 | 352.5 | 352.5 | 392.5 | 392.5 | 439.0 | 439.0 | 487.0 |
| AD ¹⁾ | 154.2 | 154.2 | 170.5 | 170.5 | 181.5 | 181.5 | 207.0 | 207.0 | 241.0 | 241.0 | 292.0 | 292.0 | 315.0 | 315.0 | 382.0 | 382.0 | 457.5 |
| k | 850.0 | 890.0 | 898.5 | 933.5 | 908.5 | 933.5 | 959.5 | 1009.5 | 1041.5 | 1101.5 | 1114.5 | 1144.5 | 1182.5 | 1207.5 | 1234.0 | 1294.0 | 1339.5 |
| kB | 920.0 | 960.0 | 977.0 | 1012.0 | 981.5 | 1006.5 | 1064.0 | 1114.0 | 1157.5 | 1217.5 | 1243.5 | 1273.5 | 1329.5 | 1354.5 | 1462.0 | 1522.0 | 1564.5 |
| LB | 309.0 | 349.0 | 357.5 | 392.5 | 367.5 | 392.5 | 418.5 | 468.5 | 500.5 | 560.5 | 573.5 | 603.5 | 641.5 | 666.5 | 693.0 | 753.0 | 798.5 |
| LBL | 379.0 | 419.0 | 436.0 | 471.0 | 440.5 | 465.5 | 523.0 | 573.0 | 616.5 | 676.5 | 702.5 | 732.5 | 788.5 | 813.5 | 921.0 | 981.0 | 1023.5 |

① ISO 4014 ② DIN 5480 ③ DIN 332-D ④ DIN 332 ⑤ Feather key/keyway DIN 6885-1 ⑦ ISO 4762 ⑧ Without locating shoulder +1 mm
 ⑨ Use bores only for foot-mounted design
 1) AD depends on the motor options, for other dimensions see page 8/36.

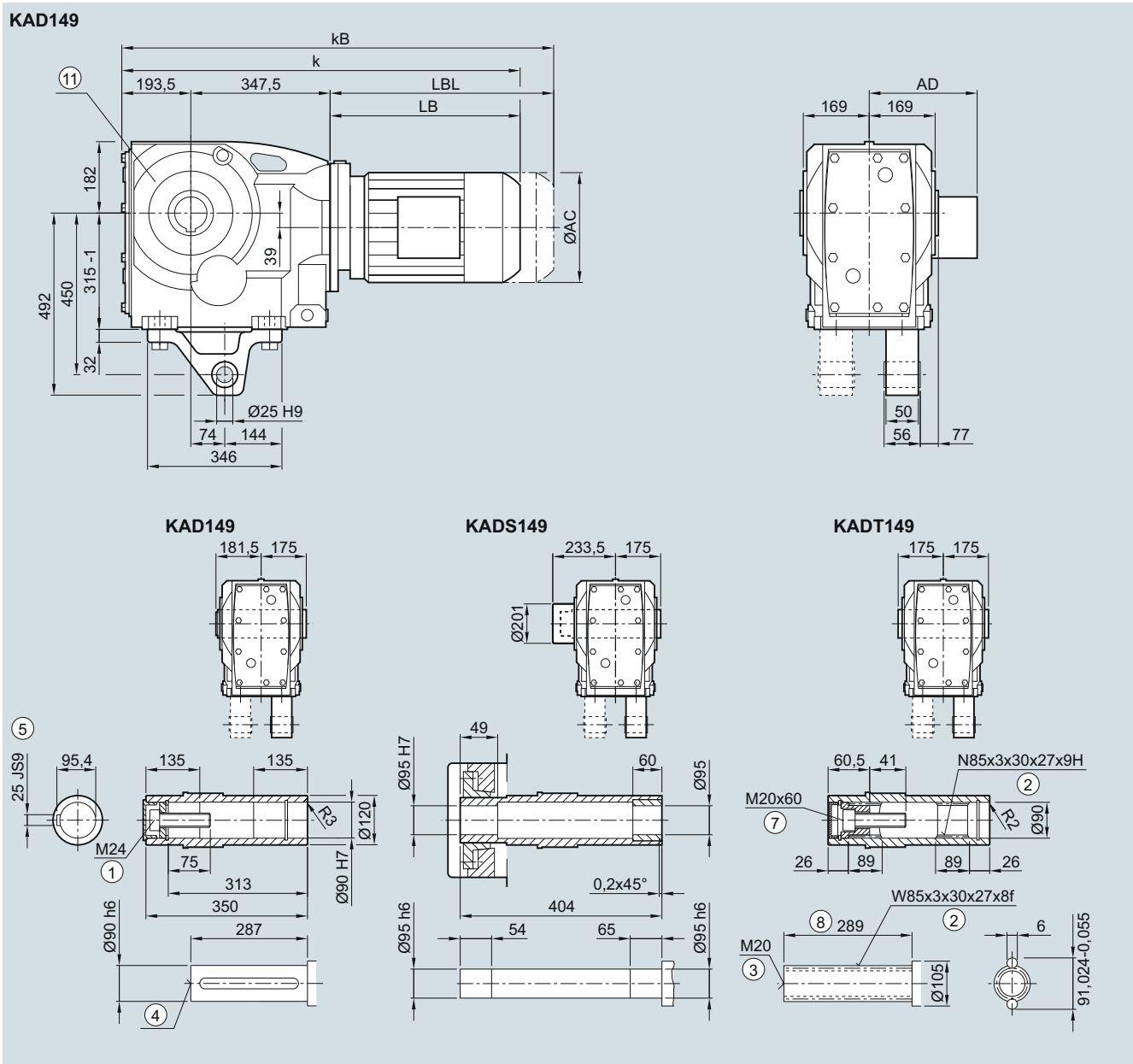
SIMOGEAR geared motors

Bevel geared motors

Dimensions

KAD.149 gearbox in a shaft-mounted design

KAD031, KADS031, KADT031



| Motor | LE | | | | | | | | LES | | | | | | | | |
|------------------|-------|-------|-------|--------|-------|--------|--------|--------|--------|--------|--------|--------|--------|--------|--------|--------|--------|
| | 90 | 90Z | 100 | 100Z | 112 | 112Z | 132 | 132Z | 160 | 160Z | 180 | 180Z | 200 | 200Z | 225 | 225Y | 250 |
| AC | 173.8 | 173.8 | 198.0 | 198.0 | 222.0 | 222.0 | 264.0 | 264.0 | 318.0 | 318.0 | 352.5 | 352.5 | 392.5 | 392.5 | 439.0 | 439.0 | 487.0 |
| AD ¹⁾ | 154.2 | 154.2 | 170.5 | 170.5 | 181.5 | 181.5 | 207.0 | 207.0 | 241.0 | 241.0 | 292.0 | 292.0 | 315.0 | 315.0 | 382.0 | 382.0 | 457.5 |
| k | 850.0 | 890.0 | 898.5 | 933.5 | 908.5 | 933.5 | 959.5 | 1009.5 | 1041.5 | 1101.5 | 1114.5 | 1144.5 | 1182.5 | 1207.5 | 1234.0 | 1294.0 | 1339.5 |
| kB | 920.0 | 960.0 | 977.0 | 1012.0 | 981.5 | 1006.5 | 1064.0 | 1114.0 | 1157.5 | 1217.5 | 1243.5 | 1273.5 | 1329.5 | 1354.5 | 1462.0 | 1522.0 | 1564.5 |
| LB | 309.0 | 349.0 | 357.5 | 392.5 | 367.5 | 392.5 | 418.5 | 468.5 | 500.5 | 560.5 | 573.5 | 603.5 | 641.5 | 666.5 | 693.0 | 753.0 | 798.5 |
| LBL | 379.0 | 419.0 | 436.0 | 471.0 | 440.5 | 465.5 | 523.0 | 573.0 | 616.5 | 676.5 | 702.5 | 732.5 | 788.5 | 813.5 | 921.0 | 981.0 | 1023.5 |

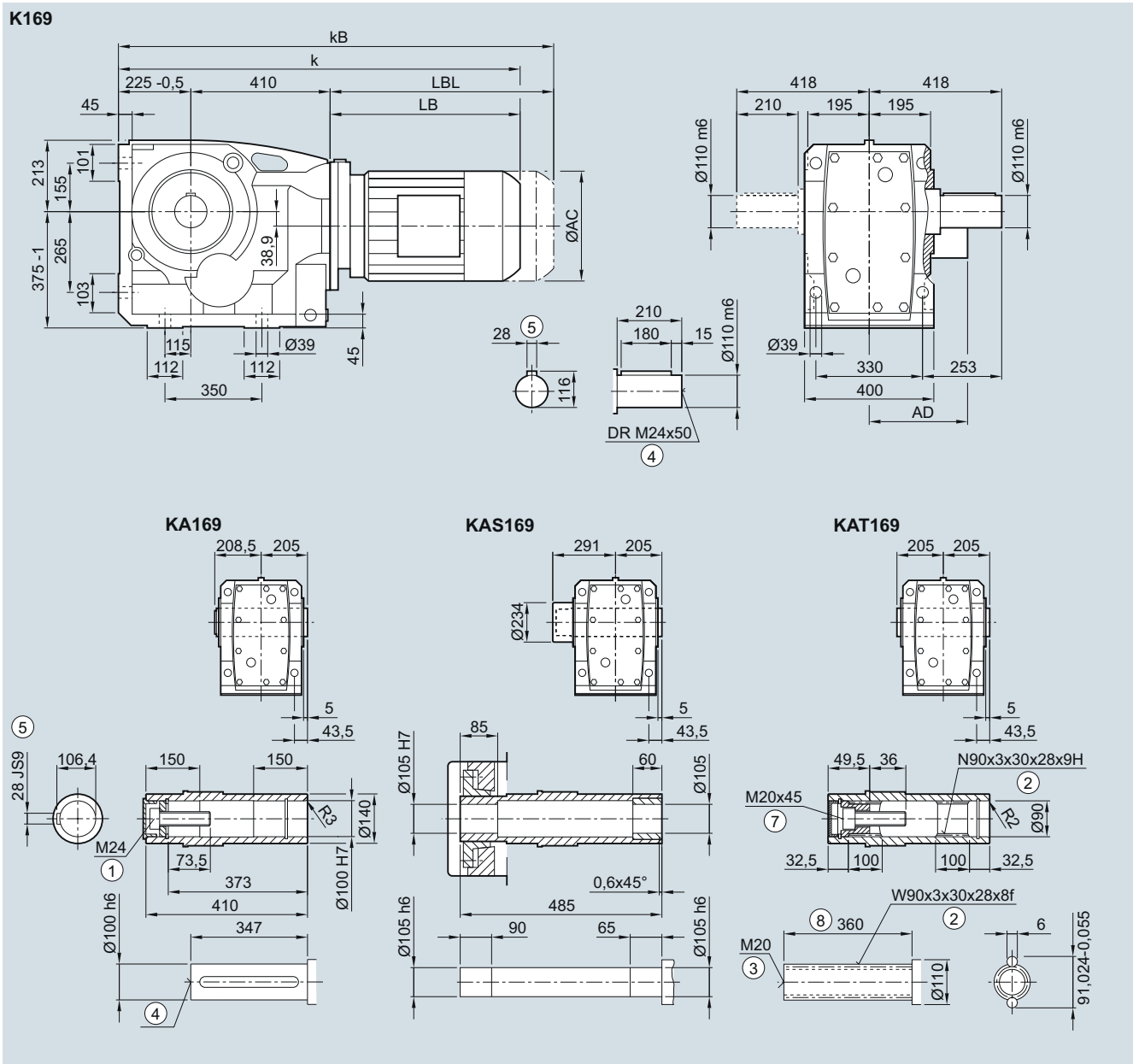
① ISO 4014 ② DIN 5480 ③ DIN 332-D ④ DIN 332 ⑤ Feather key/keyway DIN 6885-1 ⑦ ISO 4762 ⑧ Without locating shoulder +1 mm

⑩ Use bores only for housing flange design

¹⁾ AD depends on the motor options, for other dimensions see page 8/36.

K..169 gearbox in a foot-mounted design

K030, KA030, KAS030, KAT030



| Motor | LE | | | | LES | | | | | | | | | | |
|------------------|---------|---------|---------|---------|---------|---------|---------|---------|---------|---------|---------|---------|---------|---------|---------|
| | 100 | 100Z | 112 | 112Z | 132 | 132Z | 160 | 160Z | 180 | 180Z | 200 | 200Z | 225 | 225Y | 250 |
| AC | 198.0 | 198.0 | 222.0 | 222.0 | 264.0 | 264.0 | 318.0 | 318.0 | 352.5 | 352.5 | 392.5 | 392.5 | 439.0 | 439.0 | 487.0 |
| AD ¹⁾ | 170.5 | 170.5 | 181.5 | 181.5 | 207.0 | 207.0 | 241.0 | 241.0 | 292.0 | 292.0 | 315.0 | 315.0 | 382.0 | 382.0 | 457.5 |
| k | 991.0 | 1 026.0 | 1 001.0 | 1 026.0 | 1 047.0 | 1 097.0 | 1 129.0 | 1 189.0 | 1 202.0 | 1 232.0 | 1 270.0 | 1 295.0 | 1 315.5 | 1 375.5 | 1 427.0 |
| kB | 1 069.5 | 1 104.5 | 1 074.0 | 1 099.0 | 1 151.5 | 1 201.5 | 1 245.0 | 1 305.0 | 1 331.0 | 1 361.0 | 1 417.0 | 1 442.0 | 1 543.5 | 1 603.5 | 1 652.0 |
| LB | 356.0 | 391.0 | 366.0 | 391.0 | 412.0 | 462.0 | 494.0 | 554.0 | 567.0 | 597.0 | 635.0 | 660.0 | 680.5 | 740.5 | 792.0 |
| LBL | 434.5 | 469.5 | 439 | 464.0 | 516.5 | 566.5 | 610.0 | 670.0 | 696.0 | 726.0 | 782.0 | 807.0 | 908.5 | 968.5 | 1 017.0 |

① ISO 4014 ② DIN 5480 ③ DIN 332-D ④ DIN 332 ⑤ Feather key/keyway DIN 6885-1 ⑦ ISO 4762 ⑧ Without locating shoulder +1 mm
¹⁾ AD depends on the motor options, for other dimensions see page 8/36.

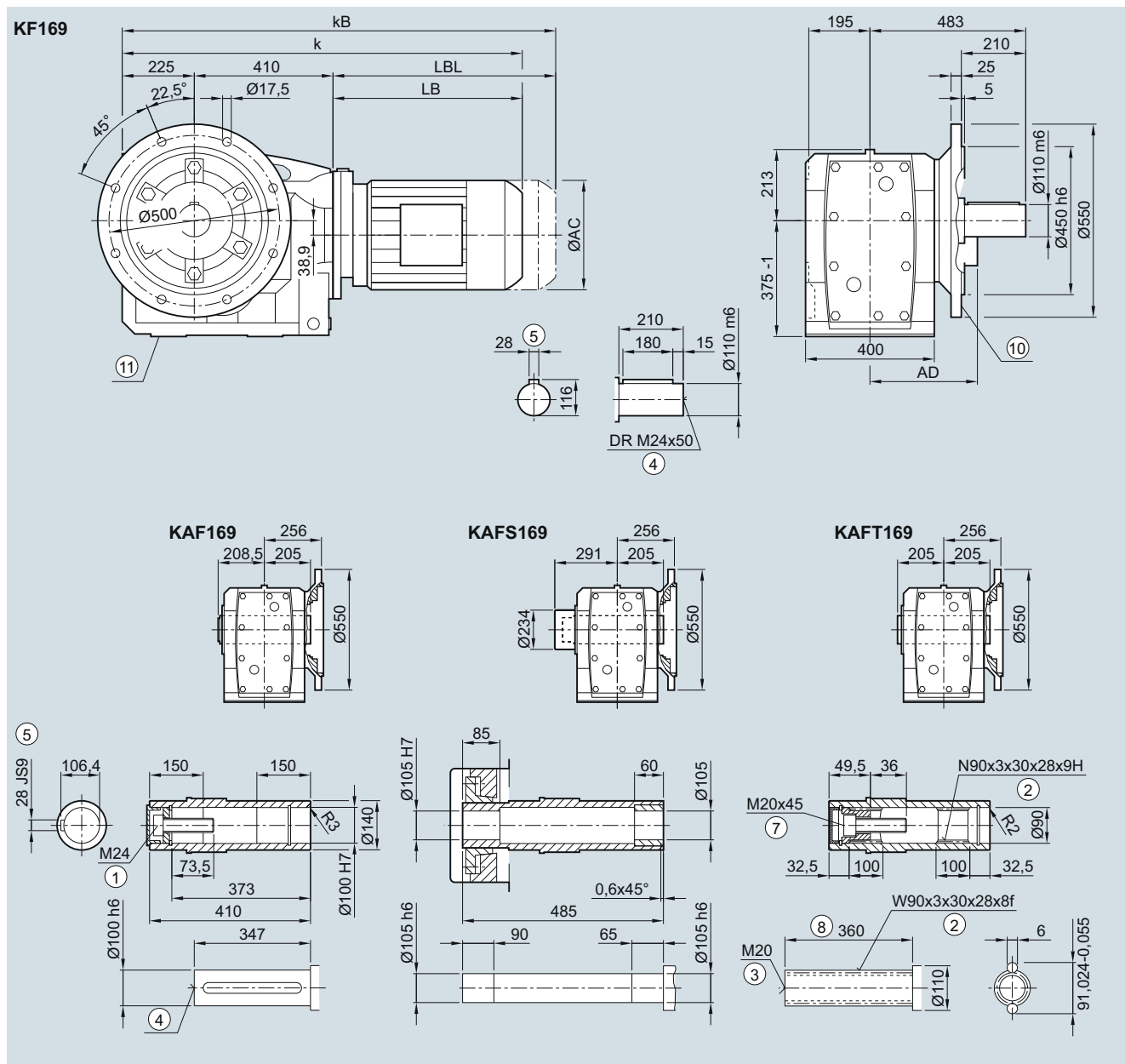
SIMOGEAR geared motors

Bevel geared motors

Dimensions

K.F.169 gearbox in a flange-mounted design

KF030, KAF030, KAFS030, KAFT030



| Motor | LE 100 | 100Z | 112 | 112Z | 132 | 132Z | 160 | 160Z | LES 180 | 180Z | 200 | 200Z | 225 | 225Y | 250 |
|------------------|--------|--------|--------|--------|--------|--------|--------|--------|---------|--------|---------|---------|---------|---------|---------|
| AC | 198.0 | 198.0 | 222.0 | 222.0 | 264.0 | 264.0 | 318.0 | 318.0 | 352.5 | 352.5 | 392.5 | 392.5 | 439.0 | 439.0 | 487.0 |
| AD ¹⁾ | 170.5 | 170.5 | 181.5 | 181.5 | 207.0 | 207.0 | 241.0 | 241.0 | 292.0 | 292.0 | 315.0 | 315.0 | 382.0 | 382.0 | 457.5 |
| k | 991.0 | 1026.0 | 1001.0 | 1026.0 | 1047.0 | 1097.0 | 1129.0 | 1189.0 | 1202.0 | 1232.0 | 1 270.0 | 1 295.0 | 1 315.5 | 1 375.5 | 1 427.0 |
| kB | 1069.5 | 1104.5 | 1074.0 | 1099.0 | 1151.5 | 1201.5 | 1245.0 | 1305.0 | 1331.0 | 1361.0 | 1 417.0 | 1 442.0 | 1 543.5 | 1 603.5 | 1 652.0 |
| LB | 356.0 | 391.0 | 366.0 | 391.0 | 412.0 | 462.0 | 494.0 | 554.0 | 567.0 | 597.0 | 635.0 | 660.0 | 680.55 | 740.5 | 792.0 |
| LBL | 434.5 | 469.5 | 439.0 | 464.0 | 516.5 | 566.5 | 610.0 | 670.0 | 696.0 | 726.0 | 782.0 | 807.0 | 908.5 | 968.5 | 1 017.0 |

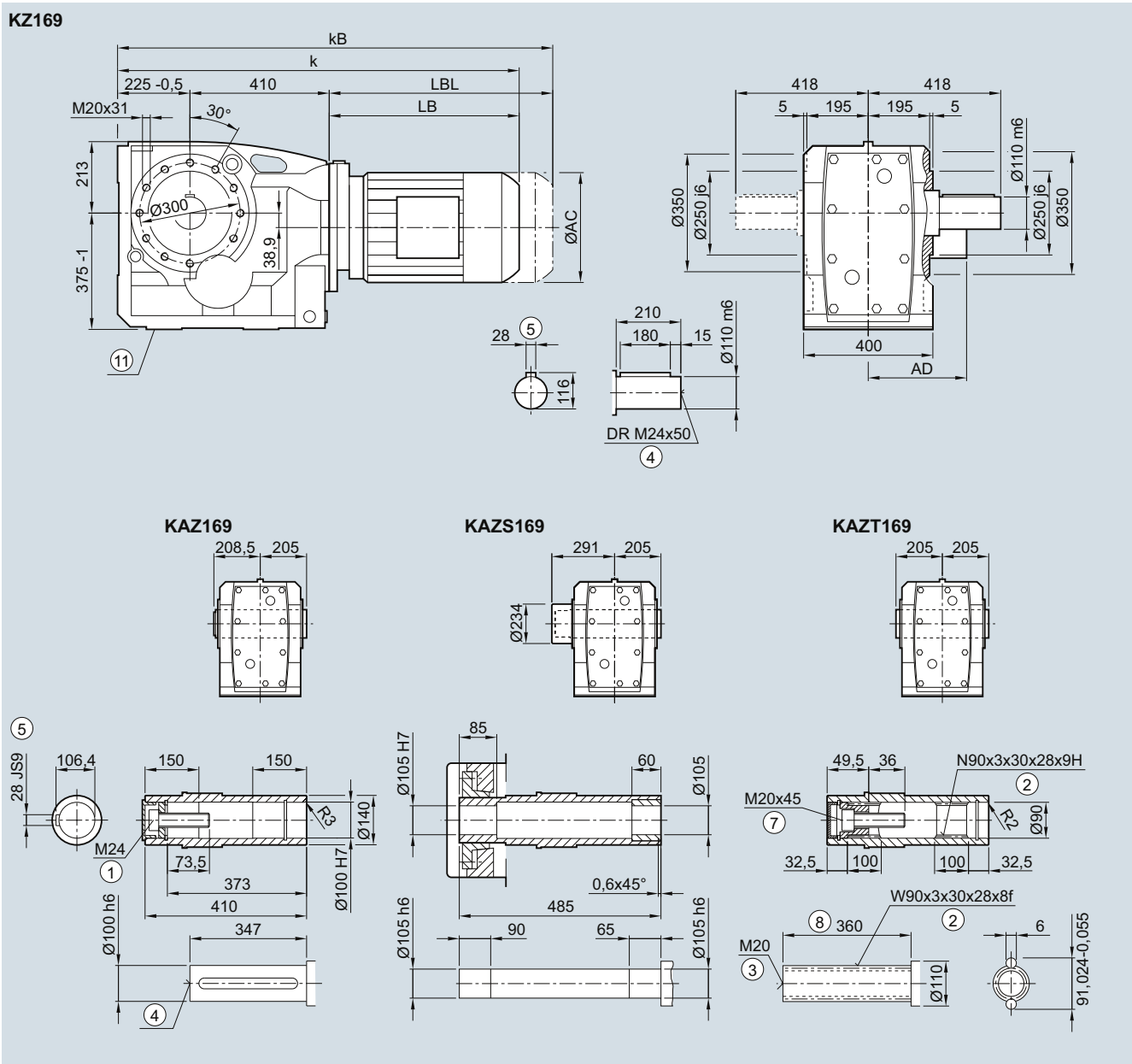
① ISO 4014 ② DIN 5480 ③ DIN 332-D ④ DIN 332 ⑤ Feather key/keyway DIN 6885-1 ⑦ ISO 4762 ⑧ Without locating shoulder +1 mm

⑨ For inner contour see page 5/136 ⑩ Use bores only for foot-mounted design

1) AD depends on the motor options, for other dimensions see page 8/36.

K.Z.169 gearbox in a housing flange design

KZ030, KAZ030, KAZS030, KAZT030



5

| Motor | LE | | | | | | | | LES | | | | | | |
|------------------|--------|--------|--------|--------|--------|--------|--------|--------|--------|--------|---------|---------|---------|---------|---------|
| | 100 | 100Z | 112 | 112Z | 132 | 132Z | 160 | 160Z | 180 | 180Z | 200 | 200Z | 225 | 225Y | 250 |
| AC | 198.0 | 198.0 | 222.0 | 222.0 | 264.0 | 264.0 | 318.0 | 318.0 | 352.5 | 352.5 | 392.5 | 392.5 | 439.0 | 439.0 | 487.0 |
| AD ¹⁾ | 170.5 | 170.5 | 181.5 | 181.5 | 207.0 | 207.0 | 241.0 | 241.0 | 292.0 | 292.0 | 315.0 | 315.0 | 382.0 | 382.0 | 457.5 |
| k | 991.0 | 1026.0 | 1001.0 | 1026.0 | 1047.0 | 1097.0 | 1129.0 | 1189.0 | 1202.0 | 1232.0 | 1 270.0 | 1 295.0 | 1 315.5 | 1 375.5 | 1 427.0 |
| kB | 1069.5 | 1104.5 | 1074.0 | 1099.0 | 1151.5 | 1201.5 | 1245.0 | 1305.0 | 1331.0 | 1361.0 | 1 417.0 | 1 442.0 | 1 543.5 | 1 603.5 | 1 652.0 |
| LB | 356.0 | 391.0 | 366.0 | 391.0 | 412.0 | 462.0 | 494.0 | 554.0 | 567.0 | 597.0 | 635.0 | 660.0 | 680.55 | 740.5 | 792.0 |
| LBL | 434.5 | 469.5 | 439.0 | 464.0 | 516.5 | 566.5 | 610.0 | 670.0 | 696.0 | 726.0 | 782.0 | 807.0 | 908.5 | 968.5 | 1 017.0 |

① ISO 4014 ② DIN 5480 ③ DIN 332-D ④ DIN 332 ⑤ Feather key/keyway DIN 6885-1 ⑦ ISO 4762 ⑧ Without locating shoulder +1 mm
 ⑨ Use bores only for foot-mounted design
 1) AD depends on the motor options, for other dimensions see page 8/36.

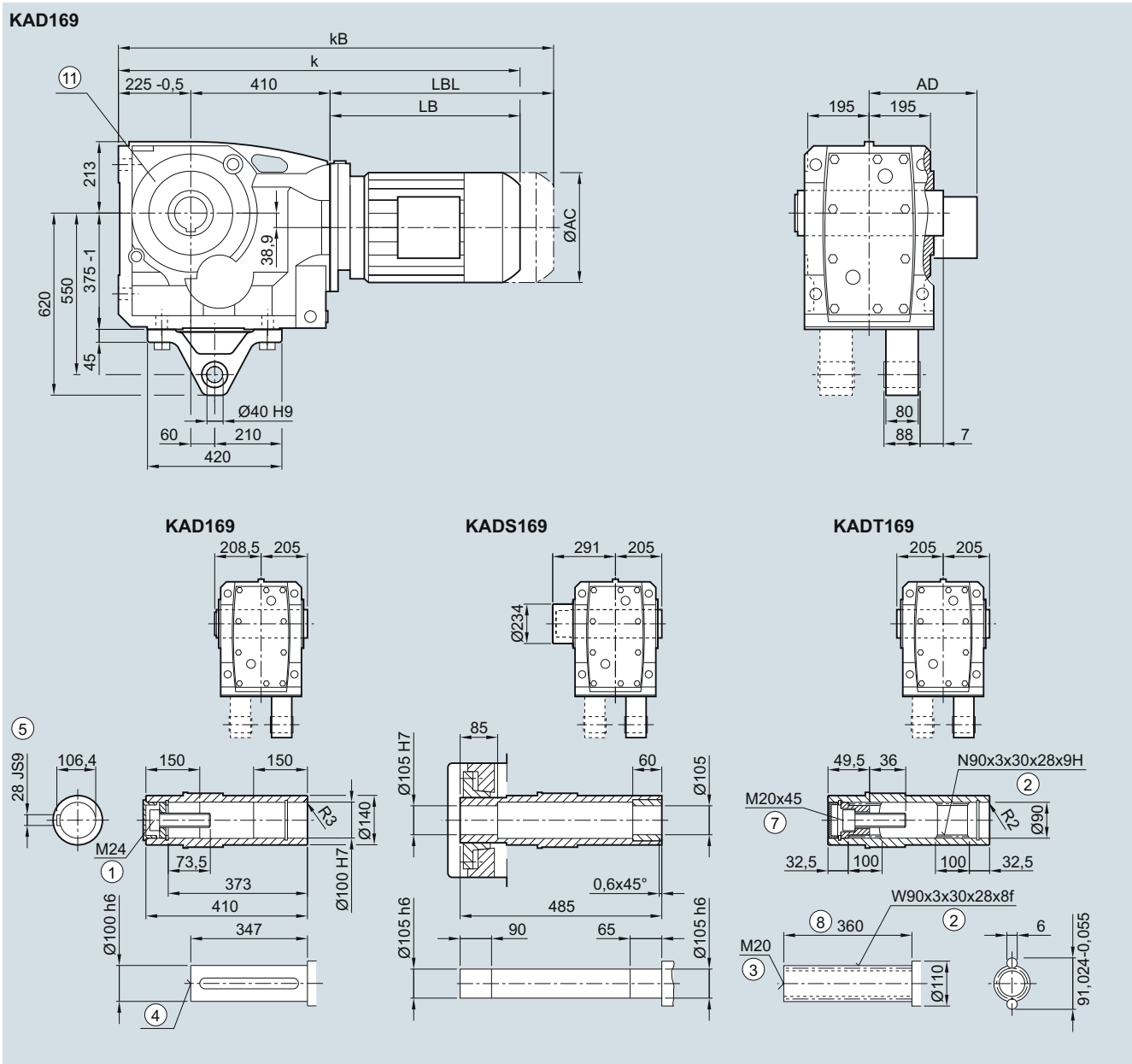
SIMOGEAR geared motors

Bevel geared motors

Dimensions

KAD.169 gearbox in a shaft-mounted design

KAD031, KADS031, KADT031



| Motor | LE | | | | LES | | | | | | | | | | |
|------------------|--------|--------|--------|--------|--------|--------|--------|--------|--------|--------|---------|---------|---------|---------|---------|
| | 100 | 100Z | 112 | 112Z | 132 | 132Z | 160 | 160Z | 180 | 180Z | 200 | 200Z | 225 | 225Y | 250 |
| AC | 198.0 | 198.0 | 222.0 | 222.0 | 264.0 | 264.0 | 318.0 | 318.0 | 352.5 | 352.5 | 392.5 | 392.5 | 439.0 | 439.0 | 487.0 |
| AD ¹⁾ | 170.5 | 170.5 | 181.5 | 181.5 | 207.0 | 207.0 | 241.0 | 241.0 | 292.0 | 292.0 | 315.0 | 315.0 | 382.0 | 382.0 | 457.5 |
| k | 991.0 | 1026.0 | 1001.0 | 1026.0 | 1047.0 | 1097.0 | 1129.0 | 1189.0 | 1202.0 | 1232.0 | 1 270.0 | 1 295.0 | 1 315.5 | 1 375.5 | 1 427.0 |
| kB | 1069.5 | 1104.5 | 1074.0 | 1099.0 | 1151.5 | 1201.5 | 1245.0 | 1305.0 | 1331.0 | 1361.0 | 1 417.0 | 1 442.0 | 1 543.5 | 1 603.5 | 1 652.0 |
| LB | 356.0 | 391.0 | 366.0 | 391.0 | 412.0 | 462.0 | 494.0 | 554.0 | 567.0 | 597.0 | 635.0 | 660.0 | 680.55 | 740.5 | 792.0 |
| LBL | 434.5 | 469.5 | 439.0 | 464.0 | 516.5 | 566.5 | 610.0 | 670.0 | 696.0 | 726.0 | 782.0 | 807.0 | 908.5 | 968.5 | 1 017.0 |

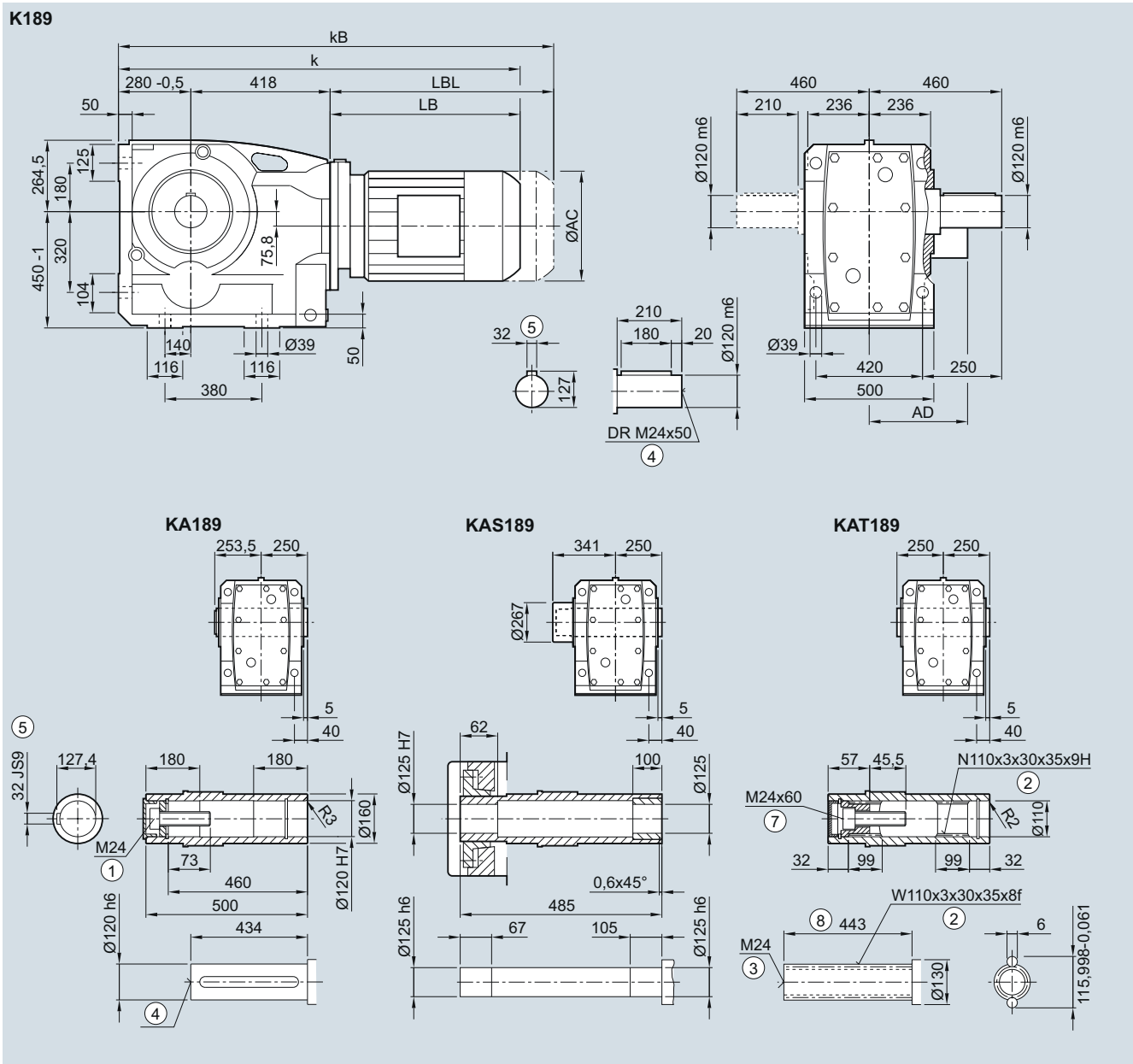
① ISO 4014 ② DIN 5480 ③ DIN 332-D ④ DIN 332 ⑤ Feather key/keyway DIN 6885-1 ⑦ ISO 4762 ⑧ Without locating shoulder +1 mm

⑩ Use bores only for housing flange design

¹⁾ AD depends on the motor options, for other dimensions see page 8/36.

K..189 gearbox in a foot-mounted design

K030, KA030, KAS030, KAT030



| Motor | LE | | | | LES | | | | | | | | |
|------------------|---------|---------|---------|---------|---------|---------|---------|---------|---------|---------|---------|---------|---------|
| | 112 | 112Z | 132 | 132Z | 160 | 160Z | 180 | 180Z | 200 | 200Z | 225 | 225Y | 250 |
| AC | 222.0 | 222.0 | 264.0 | 264.0 | 318.0 | 318.0 | 352.5 | 352.5 | 392.5 | 392.5 | 439.0 | 439.0 | 487.0 |
| AD ¹⁾ | 181.5 | 181.5 | 207.0 | 207.0 | 241.0 | 241.0 | 292.0 | 292.0 | 315.0 | 315.0 | 382.0 | 382.0 | 457.5 |
| k | 1 051.5 | 1 076.5 | 1 097.0 | 1 147.0 | 1 179.0 | 1 239.0 | 1 251.5 | 1 281.5 | 1 319.5 | 1 344.5 | 1 364.0 | 1 424.0 | 1 471.5 |
| kB | 1 124.5 | 1 149.5 | 1 201.5 | 1 251.5 | 1 295.0 | 1 355.0 | 1 380.5 | 1 410.5 | 1 466.5 | 1 491.5 | 1 592.0 | 1 652.0 | 1 696.5 |
| LB | 353.5 | 378.5 | 399.0 | 449.0 | 481.0 | 541.0 | 553.5 | 583.5 | 621.5 | 646.5 | 666.0 | 726.0 | 773.5 |
| LBL | 426.5 | 451.5 | 503.5 | 553.5 | 597.0 | 657.0 | 682.5 | 712.5 | 768.5 | 793.5 | 894.0 | 954.0 | 998.5 |

① ISO 4014 ② DIN 5480 ③ DIN 332-D ④ DIN 332 ⑤ Feather key/keyway DIN 6885-1 ⑦ ISO 4762 ⑧ Without locating shoulder +1 mm
¹⁾ AD depends on the motor options, for other dimensions see page 8/36.

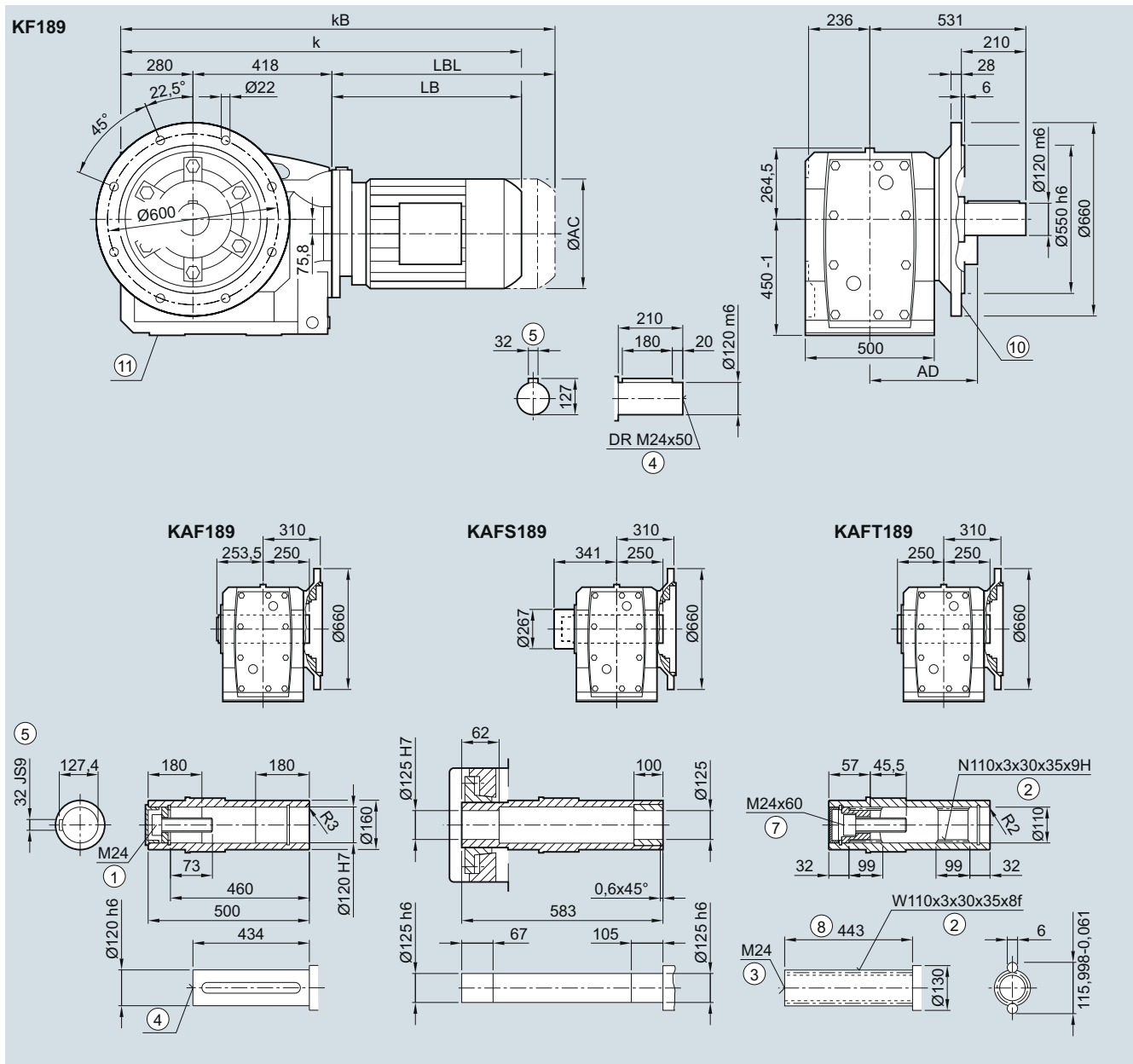
SIMOGEAR geared motors

Bevel geared motors

Dimensions

K.F.189 gearbox in a flange-mounted design

KF030, KAF030, KAFS030, KAFT030



| Motor | LE 112 | 112Z | 132 | 132Z | 160 | 160Z | LES 180 | 180Z | 200 | 200Z | 225 | 225Y | 250 |
|------------------|---------|---------|---------|---------|---------|---------|---------|---------|---------|---------|---------|---------|---------|
| AC | 222.0 | 222.0 | 264.0 | 264.0 | 318.0 | 318.0 | 352.5 | 352.5 | 392.5 | 392.5 | 439.0 | 439.0 | 487.0 |
| AD ¹⁾ | 181.5 | 181.5 | 207.0 | 207.0 | 241.0 | 241.0 | 292.0 | 292.0 | 315.0 | 315.0 | 382.0 | 382.0 | 457.5 |
| k | 1 051.5 | 1 076.5 | 1 097.0 | 1 147.0 | 1 179.0 | 1 239.0 | 1 251.5 | 1 281.5 | 1 319.5 | 1 344.5 | 1 364.0 | 1 424.0 | 1 471.5 |
| kB | 1 124.5 | 1 149.5 | 1 201.5 | 1 251.5 | 1 295.0 | 1 355.0 | 1 380.5 | 1 410.5 | 1 466.5 | 1 491.5 | 1 592.0 | 1 652.0 | 1 696.5 |
| LB | 353.5 | 378.5 | 399.0 | 449.0 | 481.0 | 541.0 | 553.5 | 583.5 | 621.5 | 646.5 | 666.0 | 726.0 | 773.5 |
| LBL | 426.5 | 451.5 | 503.5 | 553.5 | 597.0 | 657.0 | 682.5 | 712.5 | 768.5 | 793.5 | 894.0 | 954.0 | 998.5 |

① ISO 4014 ② DIN 5480 ③ DIN 332-D ④ DIN 332 ⑤ Feather key/keyway DIN 6885-1 ⑦ ISO 4762 ⑧ Without locating shoulder +1 mm

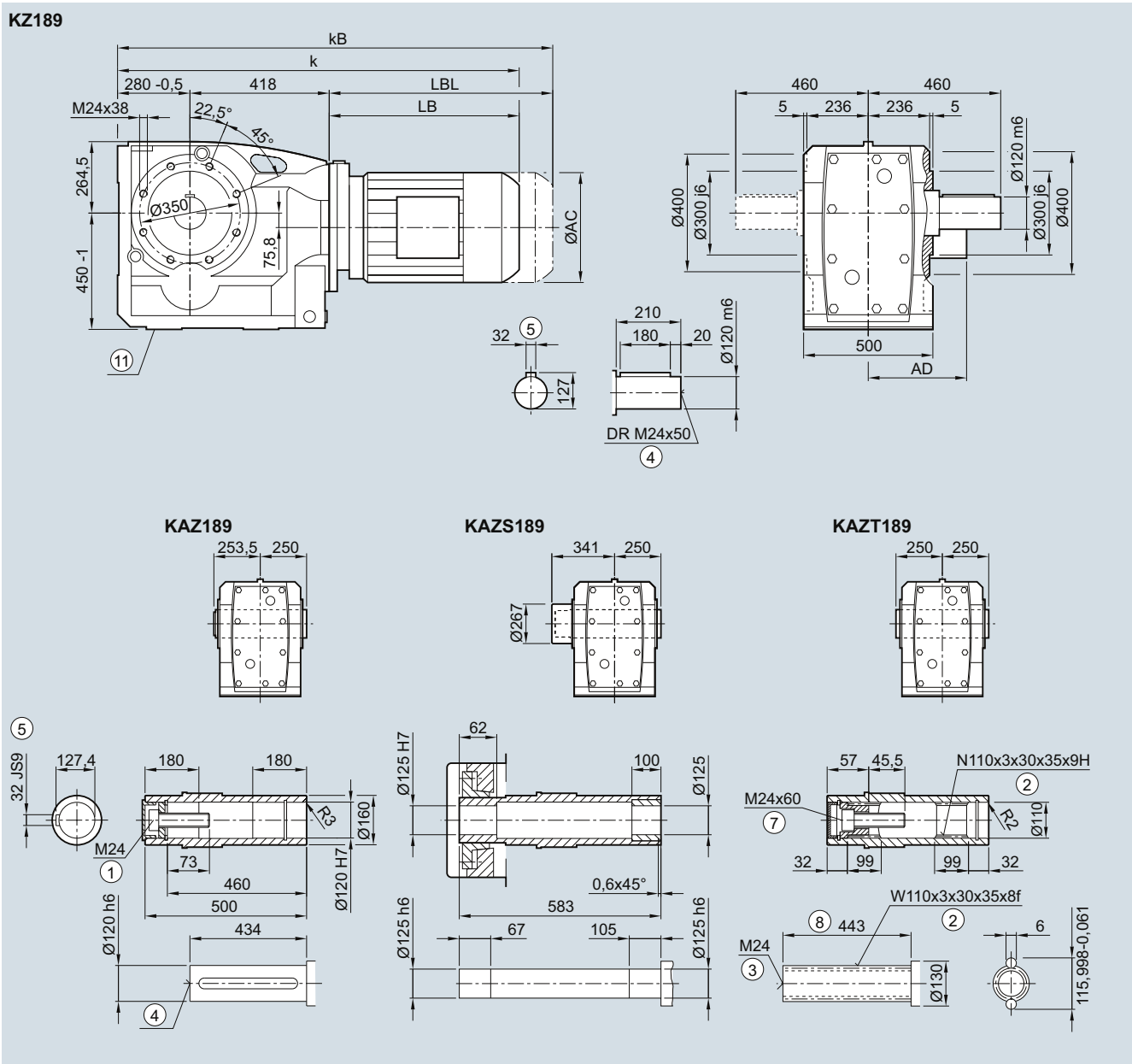
⑩ For inner contour see page 5/136

⑪ Use bores only for foot-mounted design

¹⁾ AD depends on the motor options, for other dimensions see page 8/36.

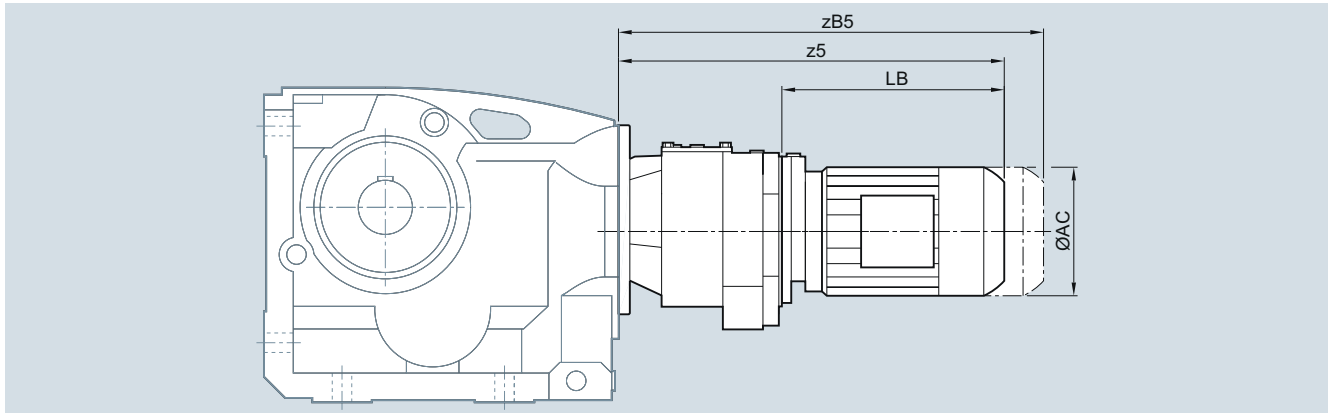
K.Z.189 gearbox in a housing flange design

KZ030, KAZ030, KAZS030, KAZT030



| Motor | LE 112 | 112Z | 132 | 132Z | 160 | 160Z | LES 180 | 180Z | 200 | 200Z | 225 | 225Y | 250 |
|------------------|-----------|---------|---------|---------|---------|---------|------------|---------|---------|---------|---------|---------|---------|
| AC | 222.0 | 222.0 | 264.0 | 264.0 | 318.0 | 318.0 | 352.5 | 352.5 | 392.5 | 392.5 | 439.0 | 439.0 | 487.0 |
| AD ¹⁾ | 181.5 | 181.5 | 207.0 | 207.0 | 241.0 | 241.0 | 292.0 | 292.0 | 315.0 | 315.0 | 382.0 | 382.0 | 457.5 |
| k | 1 051.5 | 1 076.5 | 1 097.0 | 1 147.0 | 1 179.0 | 1 239.0 | 1 251.5 | 1 281.5 | 1 319.5 | 1 344.5 | 1 364.0 | 1 424.0 | 1 471.5 |
| kB | 1 124.5 | 1 149.5 | 1 201.5 | 1 251.5 | 1 295.0 | 1 355.0 | 1 380.5 | 1 410.5 | 1 466.5 | 1 491.5 | 1 592.0 | 1 652.0 | 1 696.5 |
| LB | 353.5 | 378.5 | 399.0 | 449.0 | 481.0 | 541.0 | 553.5 | 583.5 | 621.5 | 646.5 | 666.0 | 726.0 | 773.5 |
| LBL | 426.5 | 451.5 | 503.5 | 553.5 | 597.0 | 657.0 | 682.5 | 712.5 | 768.5 | 793.5 | 894.0 | 954.0 | 998.5 |

① ISO 4014 ② DIN 5480 ③ DIN 332-D ④ DIN 332 ⑤ Feather key/keyway DIN 6885-1 ⑦ ISO 4762 ⑧ Without locating shoulder +1 mm
 ⑨ Use bores only for foot-mounted design
 1) AD depends on the motor options, for other dimensions see page 8/36.

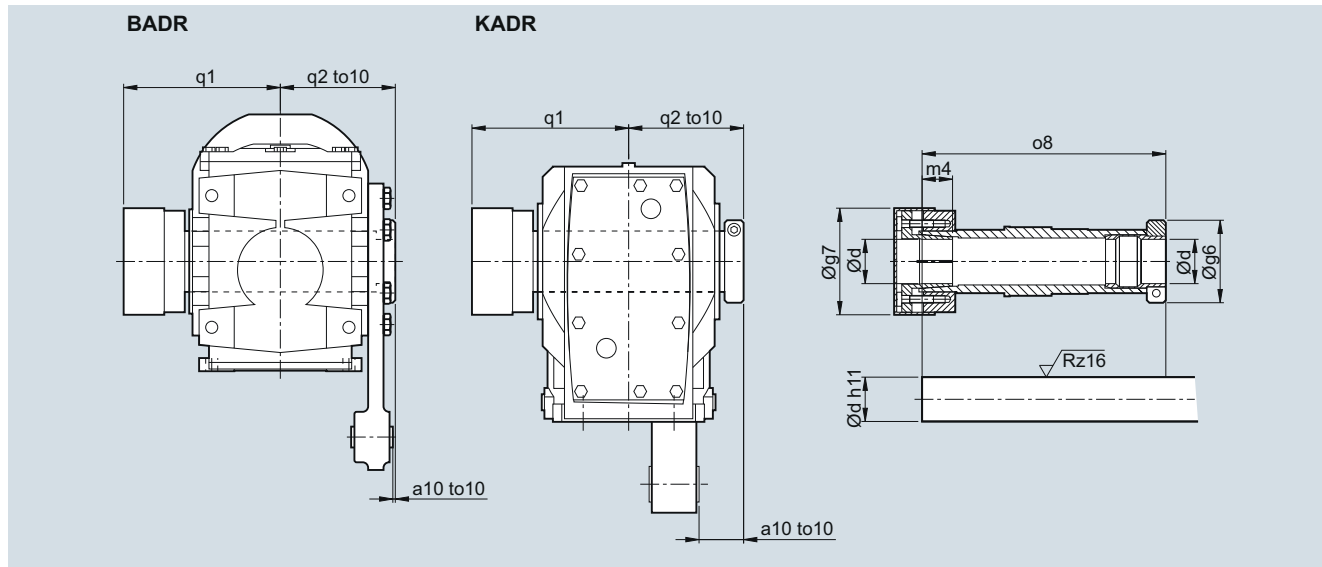
Bevel tandem geared motors


| Gearbox | Motor | AC | z5 | zB5 | LB |
|-------------|--------|-------|-------|-------|-------|
| K.39-D/Z19 | LA63 | 117.8 | 331.0 | 375.5 | 160.5 |
| | LA71 | 138.8 | 363.0 | 418.0 | 184.5 |
| | LA71Z | 138.8 | 382.0 | 437.0 | 203.5 |
| K.49-D/Z19 | LA63 | 117.8 | 322.0 | 366.5 | 160.5 |
| | LA71 | 138.8 | 354.0 | 409.0 | 184.5 |
| | LA71Z | 138.8 | 373.0 | 428.0 | 203.5 |
| | LE80 | 156.3 | 410.0 | 470.0 | 240.0 |
| K.69-D/Z19 | LA63 | 117.8 | 322.0 | 366.5 | 160.5 |
| | LA71 | 138.8 | 354.0 | 409.0 | 184.5 |
| | LA71Z | 138.8 | 373.0 | 428.0 | 203.5 |
| | LE80 | 156.3 | 410.0 | 470.0 | 240.0 |
| K.79-D/Z19 | LA63 | 117.8 | 322.0 | 366.5 | 160.5 |
| | LA71 | 138.8 | 354.0 | 409.0 | 184.5 |
| | LA71Z | 138.8 | 373.0 | 428.0 | 203.5 |
| | LE80 | 156.3 | 410.0 | 470.0 | 240.0 |
| K.89-D/Z39 | LA63 | 117.8 | 373.5 | 418.0 | 194.0 |
| | LA71 | 138.8 | 405.5 | 460.5 | 226.0 |
| | LA71Z | 138.8 | 424.5 | 479.5 | 245.0 |
| | LE80 | 156.3 | 469.5 | 529.5 | 290.0 |
| K.109-D/Z39 | LE80Z | 156.3 | 504.5 | 564.5 | 325.0 |
| | LE90 | 173.8 | 531.0 | 601.0 | 351.5 |
| | LE90Z | 173.8 | 571.0 | 641.0 | 391.5 |
| | LE100 | 198.0 | 587.5 | 666.0 | 408.0 |
| | LE100Z | 198.0 | 622.5 | 701.0 | 443.0 |
| | LA63 | 117.8 | 356.5 | 401.0 | 194.0 |
| | LA71 | 138.8 | 388.5 | 443.5 | 226.0 |
| | LA71Z | 138.8 | 407.5 | 462.5 | 245.0 |
| | LE80 | 156.3 | 452.5 | 512.5 | 290.0 |
| | LE80Z | 156.3 | 487.5 | 547.5 | 325.0 |
| K.129-D/Z39 | LE90 | 173.8 | 514.0 | 584.0 | 351.5 |
| | LE90Z | 173.8 | 554.0 | 624.0 | 391.5 |
| | LE100 | 198.0 | 570.5 | 649.0 | 408.0 |
| | LE100Z | 198.0 | 605.5 | 684.0 | 443.0 |
| | LE112 | 222.0 | 580.5 | 653.5 | 418.0 |
| | LE112Z | 222.0 | 605.5 | 678.5 | 443.0 |
| | LA63 | 117.8 | 347.5 | 392.0 | 194.0 |
| | LA71 | 138.8 | 379.5 | 434.5 | 226.0 |
| | LA71Z | 138.8 | 398.5 | 453.5 | 245.0 |
| | LE80 | 156.3 | 443.5 | 503.5 | 290.0 |
| K.129-D/Z39 | LE80Z | 156.3 | 478.5 | 538.5 | 325.0 |
| | LE90 | 173.8 | 505.0 | 575.0 | 351.5 |

| Gearbox | Motor | AC | z5 | zB5 | LB |
|-------------|--------|-------|-------|-------|-------|
| K.129-D/Z39 | LE90Z | 173.8 | 545.0 | 615.0 | 391.5 |
| | LE100 | 198.0 | 561.5 | 640.0 | 408.0 |
| | LE100Z | 198.0 | 596.5 | 675.0 | 443.0 |
| | LE112 | 222.0 | 571.5 | 644.5 | 418.0 |
| K.129-D/Z39 | LE112Z | 222.0 | 596.5 | 669.5 | 443.0 |
| | LA63 | 117.8 | 376.5 | 421.0 | 184.5 |
| | LA71 | 138.8 | 408.5 | 463.5 | 216.5 |
| | LA71Z | 138.8 | 427.5 | 482.5 | 235.5 |
| K.149-D/Z49 | LE80 | 156.3 | 472.5 | 532.5 | 280.5 |
| | LE80Z | 156.3 | 507.5 | 567.5 | 315.5 |
| | LE90 | 173.8 | 534.0 | 604.0 | 342.0 |
| | LE90Z | 173.8 | 574.0 | 644.0 | 382.0 |
| | LE100 | 198.0 | 590.5 | 669.0 | 398.5 |
| | LE100Z | 198.0 | 625.5 | 704.0 | 433.5 |
| | LE112 | 222.0 | 600.5 | 673.5 | 408.5 |
| | LE112Z | 222.0 | 635.0 | 708.0 | 443.0 |
| | LE132 | 264.0 | 653.5 | 758.0 | 461.5 |
| | LE132Z | 264.0 | 703.5 | 808.0 | 511.5 |
| K.169-D/Z49 | LA63 | 117.8 | 366.0 | 410.5 | 184.5 |
| | LA71 | 138.8 | 398.0 | 453.0 | 216.5 |
| | LA71Z | 138.8 | 417.5 | 472.5 | 235.5 |
| | LE80 | 156.3 | 462.0 | 522.0 | 280.5 |
| | LE80Z | 156.3 | 497.0 | 557.0 | 315.5 |
| | LE90 | 173.8 | 523.5 | 593.5 | 342.0 |
| | LE90Z | 173.8 | 563.5 | 633.5 | 382.0 |
| | LE100 | 198.0 | 580.0 | 658.5 | 398.5 |
| | LE100Z | 198.0 | 615.0 | 693.5 | 433.5 |
| | LE112 | 222.0 | 590.0 | 663.0 | 408.5 |
| K.169-D/Z49 | LE112Z | 222.0 | 624.5 | 697.5 | 443.0 |
| | LE132 | 264.0 | 643.0 | 747.5 | 461.5 |
| | LE132Z | 264.0 | 693.0 | 797.5 | 511.5 |
| | LA63 | 117.8 | 391.5 | 436.0 | 184.5 |
| | LA71 | 138.8 | 423.5 | 478.5 | 216.5 |
| | LA71Z | 138.8 | 442.5 | 497.5 | 235.5 |
| | LE80 | 156.3 | 487.5 | 547.5 | 280.5 |
| | LE80Z | 156.3 | 522.5 | 582.5 | 315.5 |
| | LE90 | 173.8 | 549 | 619.0 | 342.0 |
| | LE90Z | 173.8 | 589 | 659.0 | 382.0 |
| K.189-D/Z69 | LE100 | 198.0 | 605.5 | 684.0 | 398.5 |
| | LE100Z | 198.0 | 640.5 | 719.0 | 433.5 |
| | LE112 | 222.0 | 615.5 | 688.5 | 408.5 |
| | LE112Z | 222.0 | 650 | 723.0 | 443.0 |
| | LE132 | 264.0 | 668.5 | 773.0 | 461.5 |
| | LE132Z | 264.0 | 718.5 | 823.0 | 511.5 |

SIMOGEAR geared motors

Bevel geared motors

Dimensions**SIMOLOC assembly system**

Note mounting tolerance to10 when positioning the torque arm.

| d | g6 | g7 | m4 | o8 | q1 | q2 | a10 | to10 |
|---------------|------|----|------|-------|-----|-----|------|------|
| BADR29 | | | | | | | | |
| 20 | 58.5 | 56 | 18.5 | 151 | 102 | 75 | 11 | +2.1 |
| 1" | | | | | | | | +0.6 |
| 0.75" | | | | | | | | |
| BADR39 | | | | | | | | |
| 30 | 62.0 | 76 | 22 | 180.5 | 116 | 85 | 2.5 | +2.2 |
| 25 | | | | | | | | +0.7 |
| 1.25" | | | | | | | | |
| 1.1875" | | | | | | | | |
| 1" | | | | | | | | |
| BADR49 | | | | | | | | |
| 35 | 65.0 | 84 | 24 | 210.0 | 134 | 100 | -2.5 | +2.6 |
| 30 | | | | | | | | +0.8 |
| 1.375" | | | | | | | | |
| 1.4375" | | | | | | | | |
| 1.25" | | | | | | | | |
| 1.1875" | | | | | | | | |
| 40 | 79.5 | 94 | 30 | 220 | 140 | 104 | 1.5 | |
| 1.625" | | | | | | | | |
| KADR39 | | | | | | | | |
| 30 | 62.0 | 76 | 22 | 160.5 | 106 | 75 | 39 | +2.2 |
| 25 | | | | | | | | +0.7 |
| 1.25" | | | | | | | | |
| 1.1875" | | | | | | | | |
| 1" | | | | | | | | |
| KADR49 | | | | | | | | |
| 35 | 65.0 | 84 | 24 | 192.0 | 124 | 90 | 41 | +2.6 |
| 30 | | | | | | | | +0.8 |
| 1.375" | | | | | | | | |
| 1.4375" | | | | | | | | |
| 1.25" | | | | | | | | |
| 1.1875" | | | | | | | | |

SIMOLOC assembly system (continued)

| d | g6 | g7 | m4 | o8 | q1 | q2 | a10 | to10 |
|---------------|------|-----|----|-------|-----|-----|-----|------|
| KADR69 | | | | | | | | |
| 40 | 79.5 | 94 | 30 | 217.5 | 138 | 102 | 39 | +2.5 |
| 35 | | | | | | | | +0.7 |
| 1.5" | | | | | | | | |
| 1.625" | | | | | | | | |
| 1.4375" | | | | | | | | |
| 1.375" | | | | | | | | |
| KADR79 | | | | | | | | |
| 40 | 79.5 | 94 | 30 | 232.0 | 150 | 109 | 46 | +3.2 |
| 35 | | | | | | | | +1.4 |
| 1.5" | | | | | | | | |
| 1.625" | | | | | | | | |
| 1.4375" | | | | | | | | |
| 1.375" | | | | | | | | |
| KADR89 | | | | | | | | |
| 50 | 89.0 | 114 | 32 | 264.0 | 171 | 124 | 45 | +3.4 |
| 40 | | | | | | | | +1.5 |
| 2" | | | | | | | | |
| 1.9375" | | | | | | | | |
| 1.75" | | | | | | | | |
| 1.625" | | | | | | | | |

SIMOGEAR geared motors

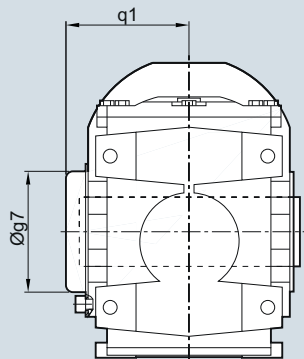
Bevel geared motors

Dimensions

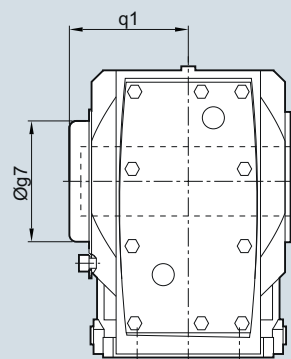
Protection covers

Protection cover for hollow shaft

BA, BAF, BAZ, BAD



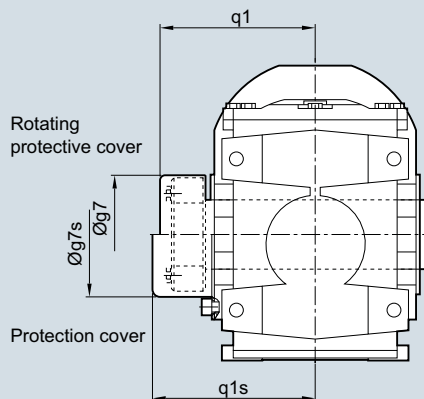
KA¹⁾, KAF, KAZ, KAD



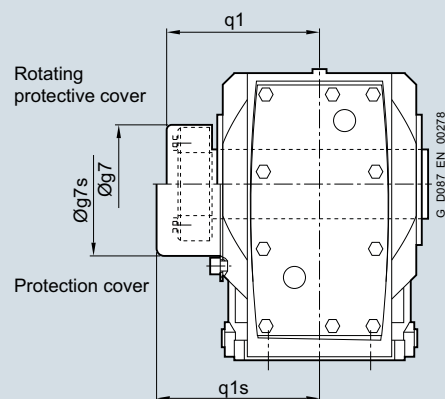
| Gearbox type | BA.19 | BA.29 | BA.39 | BA.49 | KA.39 | KA.49 | KA.69 | KA.79 | KA.89 | KA.109 | KA.129 | KA.149 | KA.169 | KA.189 | |
|-------------------------|-------|-------|-------|-------|-------|-------|-------|-------|-------|--------|--------|--------|--------|--------|--|
| Protection cover | | | | | | | | | | | | | | | |
| g7 | 82.0 | 67.0 | 80.0 | 80.0 | 82.5 | 80.0 | 99.0 | 99.0 | 137.0 | 187.0 | 187.0 | 218.0 | 257.5 | 309.5 | |
| q1 | 57.5 | 76.0 | 96.0 | 111.0 | 73.0 | 99.0 | 95.0 | 101.5 | 124.5 | 168.0 | 198.0 | 250.0 | 313.0 | 373.5 | |

Protection cover for hollow shaft with shrink disk

BAS, BAFS, BAZS, BADS

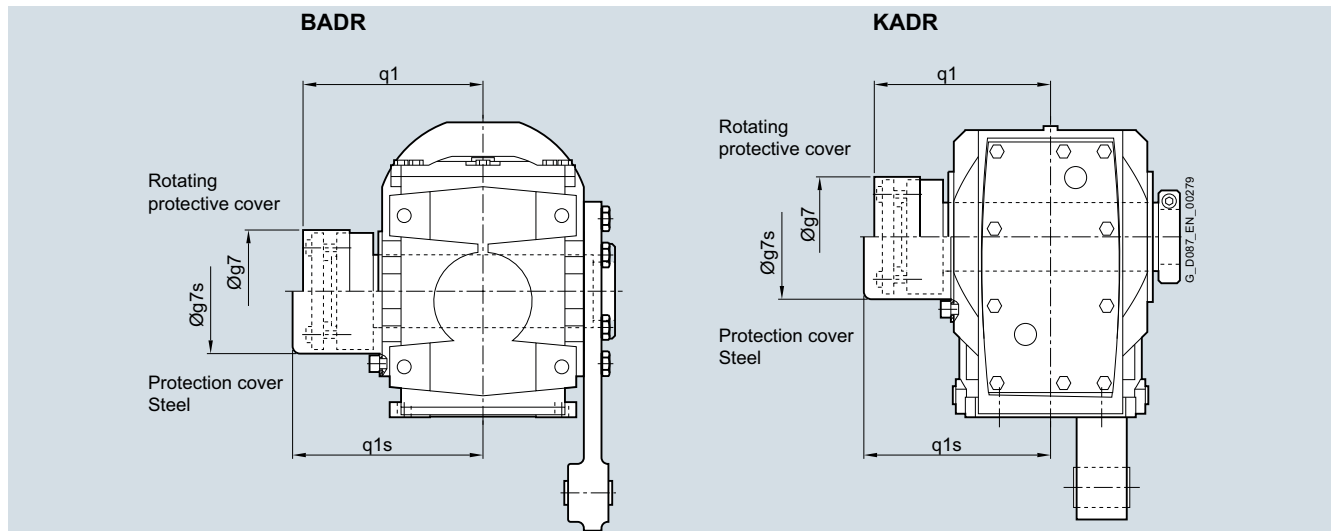


KAFS, KAZS, KADS



| Gearbox type | BA..29 | BA..39 | BA..49 | KA..39 | KA..49 | KA..69 | KA..79 | KA..89 | KA..109 | KA..129 | KA..149 | KA..169 | KA..189 |
|---|--------|--------|--------|--------|--------|--------|--------|--------|---------|---------|---------|---------|---------|
| Rotating protective cover with shrink disk version | | | | | | | | | | | | | |
| g7 | 55 | 84 | 84 | 76.0 | 84 | 84 | 94.0 | 119.0 | 142.0 | 159.0 | 201.0 | 234.0 | 267.0 |
| q1 | 85 | 102 | 117 | 89.5 | 107 | 115 | 125.5 | 142.5 | 162.5 | 198.5 | 233.5 | 291.0 | 343.5 |
| Protection cover | | | | | | | | | | | | | |
| g7s | 58 | 86 | 86 | 82.5 | 86 | 99 | 99.0 | 137.0 | 187.0 | 187.0 | 218.0 | 257.5 | 309.5 |
| q1s | 91 | 119 | 134 | 109.0 | 122 | 126 | 132.5 | 176.5 | 195.0 | 225.0 | 250.0 | 313.0 | 373.5 |

¹⁾ KA/KAS version valid only for gearbox sizes 169 and 189

Protection covers
Protection cover for hollow shaft with SIMOLOC assembly system


| Gearbox type | BADR29 | BADR39 | BADR49 | KADR39 | KADR49 | KADR69 | KADR79 | KADR89 |
|----------------------------------|--------|--------|-----------|--------|--------|--------|--------|--------|
| Rotating protective cover | | | | | | | | |
| g7 | 56 | 76 | 84 (94) | 76 | 84 | 94 | 94 | 114 |
| q1 | 102 | 116 | 134 (140) | 106 | 124 | 138 | 150 | 171 |
| Protection cover | | | | | | | | |
| g7s | 58 | 86.0 | 86 (99) | 82.5 | 86 | 99 | 99 | 137 |
| q1s | 102 | 119.0 | 138 (143) | 109 | 126 | 145 | 151.5 | 176.5 |

() Dimension in brackets for hollow shaft $d=40$ and $d=1.625$ "

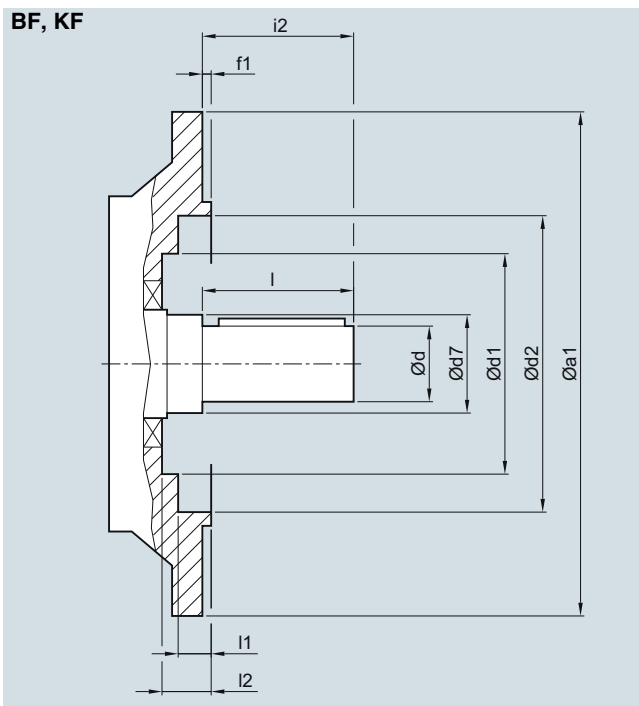
SIMOGEAR geared motors

Bevel geared motors

Dimensions

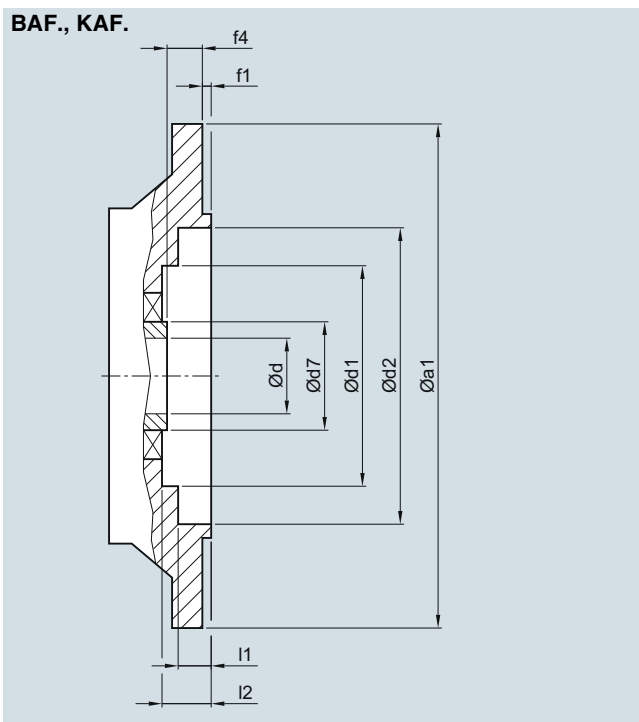
Inner contour of the flange design

Notes regarding the design of the customer's interface for the solid shaft design



| Gearbox type | a1 | d | d7 | d1 | d2 | f1 | i2 | l | l1 | l2 |
|--------------|-----|-----|-----|----|-----|-----|-----|-----|------|------|
| BF19 | 120 | 20 | 30 | 60 | 68 | 3.0 | 40 | 40 | 23.5 | 29.5 |
| BF29 | 120 | 20 | 40 | - | 70 | 3.0 | 40 | 40 | 24.0 | - |
| | 160 | 20 | 40 | 70 | 101 | 3.5 | 40 | 40 | 8.5 | 24.5 |
| BF39 | 160 | 30 | 55 | 93 | 100 | 3.5 | 60 | 60 | 11.0 | 31.5 |
| | 200 | 30 | 55 | 93 | 119 | 3.5 | 60 | 60 | 16.0 | 31.5 |
| BF49 | 200 | 35 | 55 | 93 | 119 | 3.5 | 70 | 70 | 16.0 | 31.5 |
| KF39 | 160 | 25 | 30 | - | 100 | 3.5 | 50 | 50 | 5.0 | - |
| KF49 | 200 | 30 | 35 | - | 118 | 3.5 | 60 | 60 | 5.5 | - |
| KF69 | 250 | 35 | 45 | - | 165 | 4.0 | 70 | 70 | 6.5 | - |
| KF79 | 250 | 40 | 55 | - | 165 | 4.0 | 80 | 80 | 6.5 | - |
| KF89 | 300 | 50 | 55 | - | 165 | 4.0 | 100 | 100 | 8.0 | - |
| KF109 | 350 | 60 | 65 | - | 235 | 5.0 | 120 | 120 | 9.0 | - |
| KF129 | 450 | 70 | 75 | - | 336 | 5.0 | 140 | 140 | 9.0 | - |
| KF149 | 450 | 90 | 100 | - | 336 | 5.0 | 170 | 170 | 10.0 | - |
| KF169 | 550 | 110 | 120 | - | 427 | 5.0 | 210 | 210 | 10.0 | - |
| KF189 | 660 | 120 | 160 | - | 517 | 6.0 | 210 | 210 | 11.0 | - |

Notes regarding the design of the customer's interface for the hollow shaft design



| Gearbox type | a1 | d | d7 | d1 | d2 | f1 | f4 | l1 | l2 |
|--------------|-----|-----------|-----|-----|-----|-----|------|------|------|
| BAF.19 | 120 | 20 | 30 | 60 | 68 | 3.0 | 30.0 | 23.5 | 29.5 |
| BAF.29 | 120 | 20/ 25 | 40 | - | 70 | 3.0 | 20.0 | 24.0 | - |
| | 160 | 20/ 25 | 40 | 70 | 101 | 3.5 | 20.0 | 8.5 | 24.5 |
| BAF.39 | 160 | 30 | 55 | 93 | 100 | 3.5 | 27.0 | 11.0 | 31.5 |
| | | 35 | | | | | | | |
| | | 40 | | | | | | | |
| BAF.39 | 200 | 30 | 55 | 93 | 119 | 3.5 | 27.0 | 16.0 | 31.5 |
| | | 35 | | | | | | | |
| | | 40 | | | | | | | |
| BAF.49 | 200 | 35/ 40 | 55 | 93 | 119 | 3.5 | 27.0 | 16.0 | 31.5 |
| | | | | | | | | | |
| KAF.39 | 160 | 30 | 45 | 80 | 102 | 3.5 | 24.0 | 2.0 | 29.5 |
| KAF.49 | 200 | 35 | 50 | 90 | 120 | 3.5 | 25.0 | 4.0 | 30.5 |
| KAF.69 | 250 | 40 | 55 | 104 | 165 | 4.0 | 23.5 | 2.0 | 29.5 |
| KAF.79 | 250 | 40 | 55 | 104 | 165 | 4.0 | 23.0 | 2.0 | 29.5 |
| KAF.89 | 300 | 50 | 70 | 135 | 215 | 4.0 | 37.0 | 2.0 | 44.5 |
| KAF.109 | 350 | 60 | 85 | 184 | 210 | 5.0 | 36.0 | 13.0 | 45.0 |
| KAF.129 | 450 | 70 | 95 | 184 | 336 | 5.0 | 41.5 | 16.5 | 48.5 |
| KAF.149 | 450 | 90 | 120 | 214 | 219 | 5.0 | 41.0 | 40.0 | 50.0 |
| KAF.169 | 550 | 100 | 140 | 254 | 426 | 5.0 | 56.0 | 14.5 | 56.0 |
| KAF.189 | 660 | 120 | 160 | 306 | 518 | 6.0 | 66.0 | 6.0 | 62.0 |

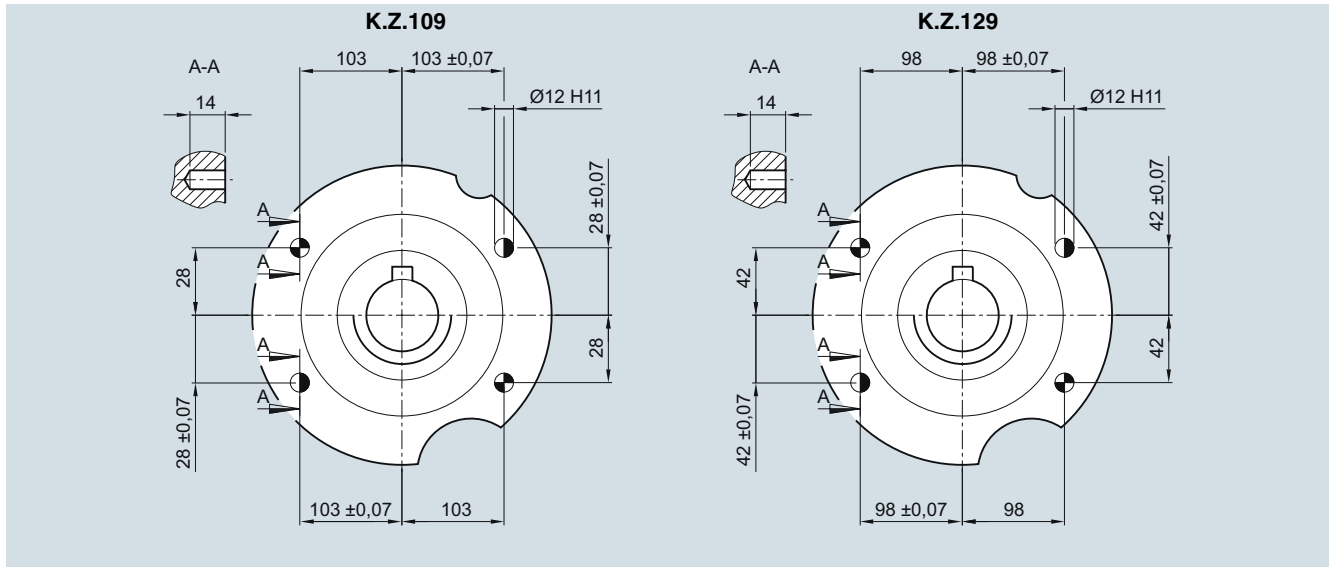
Pin holes

In the case of gearboxes K.Z.109 and K.Z.129, the customer's interface can be pinned on the housing flange (C type).

The output flanges have been designed to ensure the reliable transmission of the permissible torques and radial forces by the bolt connections.

If additional fastening is required, in the case of high shock loads, for example, the existing drilled pin holes can be used.

The gearboxes can also be drilled and pinned together with the machine. The listed dimensions must be complied with.



- Spring pins, heavy-duty design, to DIN 1481: Use pin holes provided in the housing flange.
- Grooved cylindrical pins with chamfer to EN 28740 / ISO 8740: Drill connecting component together with housing.

SIMOGEAR geared motors

Notes

5