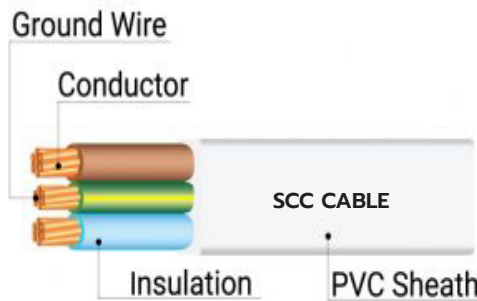


VAF + GROUND

300/500 V 70 °C SOLID AND STRANDED CONDUCTOR PVC INSULATED SINGLE CORE

REF. TIS 11
PART 3-2553

TABLE 1



CABLE STRUCTURE

Conductor	: Solid and stranded annealed copper : Sizes 1 mm ² up to 16 mm ²
Ground wire	: Solid and stranded annealed copper : Sizes 1 mm ² up to 16 mm ²
Insulation	: Polyvinyl chloride (PVC/C)
Core identification	: 2 cores : Blue and Brown : Ground-Cores : Green/Yellow
Sheath	: White polyvinyl chloride (PVC/ST4)

TECHNICAL DATA

Classification	: Maximum conductor temperature 70 °C : Circuit voltage not exceeding 300/500 Volts
Rated voltage	: 300 Volts between Line to Earth : 500 Volts between Line to Line
Testing voltage	: 2,000 Volts
Reference standard	: Tis 11 Part 101-2559 Table 1

APPLICATION : Building wiring for surface or above ceiling wiring or direct ambeded in plaster.

Number of core	Nominal cross sectional area (mm ²)	Class of Conductor	Insulation thickness nominal (mm)	Sheath thickness nominal (mm)	Overall diameter		Conductor resistance at 20 °C maximum (Ω/km)	Insulation resistance at 70 °C minimum (MΩ-km)	Continuous current rating in free air maximum (A)	Cable weight approx. (kg/km)	Standard length (m)
					Lower limit (mm)	Upper limit (mm)					
2+G	1	1	0.6	0.9	4.0 x 8.4	4.7 x 9.8	18.1	0.0110	13	75	100/C
	1 (G)	1	0.6	0.9			18.1				
	15	1	0.7	0.9	4.4 x 9.8	5.4 x 11.5	12.1	0.0110	17	100	100/C
	15 (G)	1	0.7	0.9			12.1				
	2.5	1	0.8	1.0	5.2 x 11.5	6.2 x 13.5	7.41	0.0100	23	150	100/C
	2.5 (G)	1	0.8	1.0			7.41				
	4	2	0.8	1.1	5.8 x 13.4	7.4 x 16.5	4.61	0.0077	31	220	100/C
	4 (G)	2	0.8	1.1			4.61				



Number of core	Nominal cross sectional area (mm ²)	Class of Conductor	Insulation thickness nominal (mm)	Sheath thickness nominal (mm)	Overall diameter		Conductor resistance at 20 °C maximum (Ω/km)	Insulation resistance at 70 °C minimum (MΩ-km)	Continuous current rating in free air maximum (A)	Cable weight approx. (kg/km)	Standard length (m)
					Lower limit (mm)	Upper limit (mm)					
2+G	6	2	0.8	11	6.4 x 15.0	8.0 x 18.0	3.08	0.0065	40	290	100/C
	6 (G)	2	0.8	11			3.08				
	10	2	1.0	12	7.8 x 19.0	9.6 x 22.5	1.83	0.0065	55	460	100/C
	10 (G)	2	1.0	12			1.83				
	16	2	1.0	13	9.0 x 22.0	11.0 x 26.5	1.15	0.0052	74	650	500/D
	16 (G)	2	1.0	13			1.15				

Class Of Conductor

1 : Solid, 2 : Strand

G : Ground conductor, C : Packing in coil (ស្រោចស្រាវ), D : Packing in drum (ស្រោចស្រាវ)