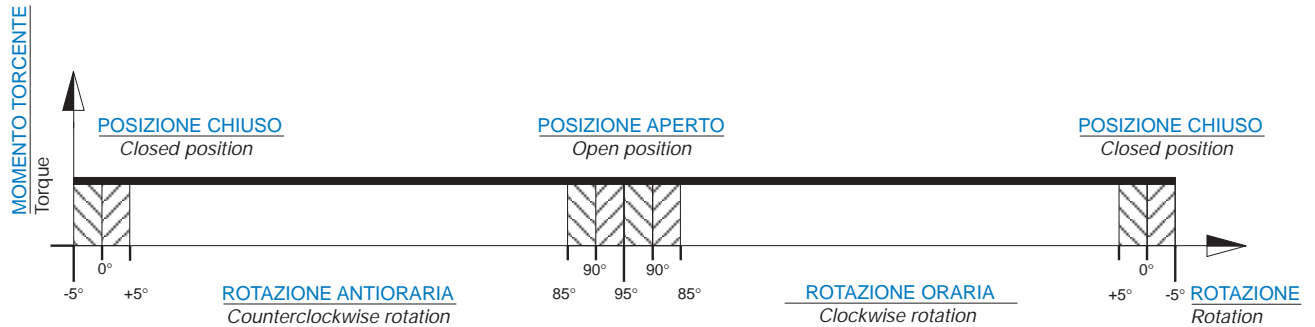
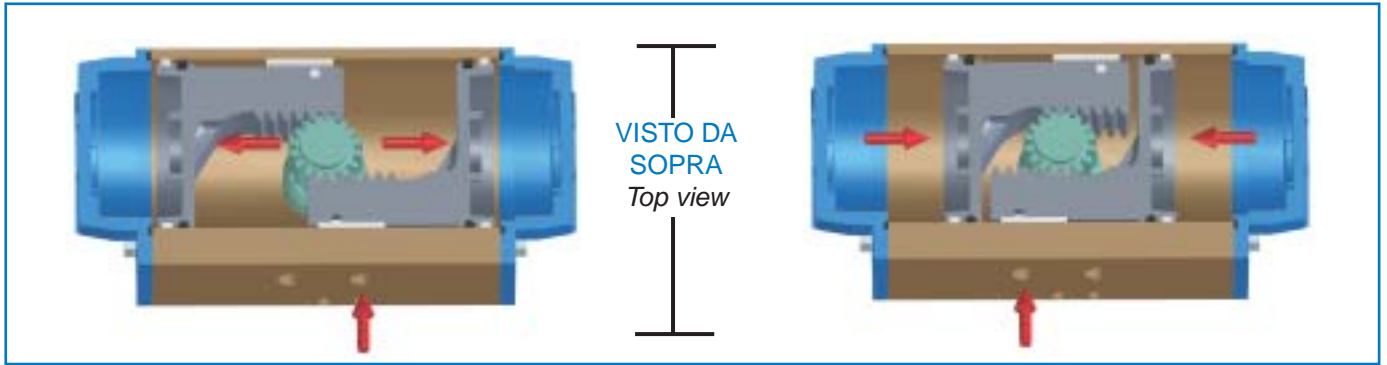


DOUBLE ACTING ACTUATOR

PNEUMATIC ACTUATORS



Dal Grafico riportato si può notare che la coppia di un attuatore a doppio effetto si mantiene costante lungo tutta la manovra. L'utilizzatore potrà procedere alla scelta del modello idoneo alle proprie esigenze basandosi sulle seguenti indicazioni:

1. Verificare la coppia di spunto massima della valvola da automatizzare.
2. Aumentare del 25%-50% (dipende dal tipo di valvola e dalle condizioni di esercizio) il valore della coppia di spunto verificata, stabilendo così un coefficiente di sicurezza.
3. Ottenuto in questo modo il valore di coppia consigliato, si ricerca nella tabella dei momenti torcenti (in corrispondenza della pressione disponibile) un valore di coppia uguale o simile (comunque non inferiore) a quello ottenuto.
4. Trovato il valore basterà spostarsi in orizzontale verso sinistra nella colonna "modello" per avere la misura dell'attuatore adatto.

With reference to the above diagram it can be noted that the torque of a double acting actuator remains constant through-out the complete action.

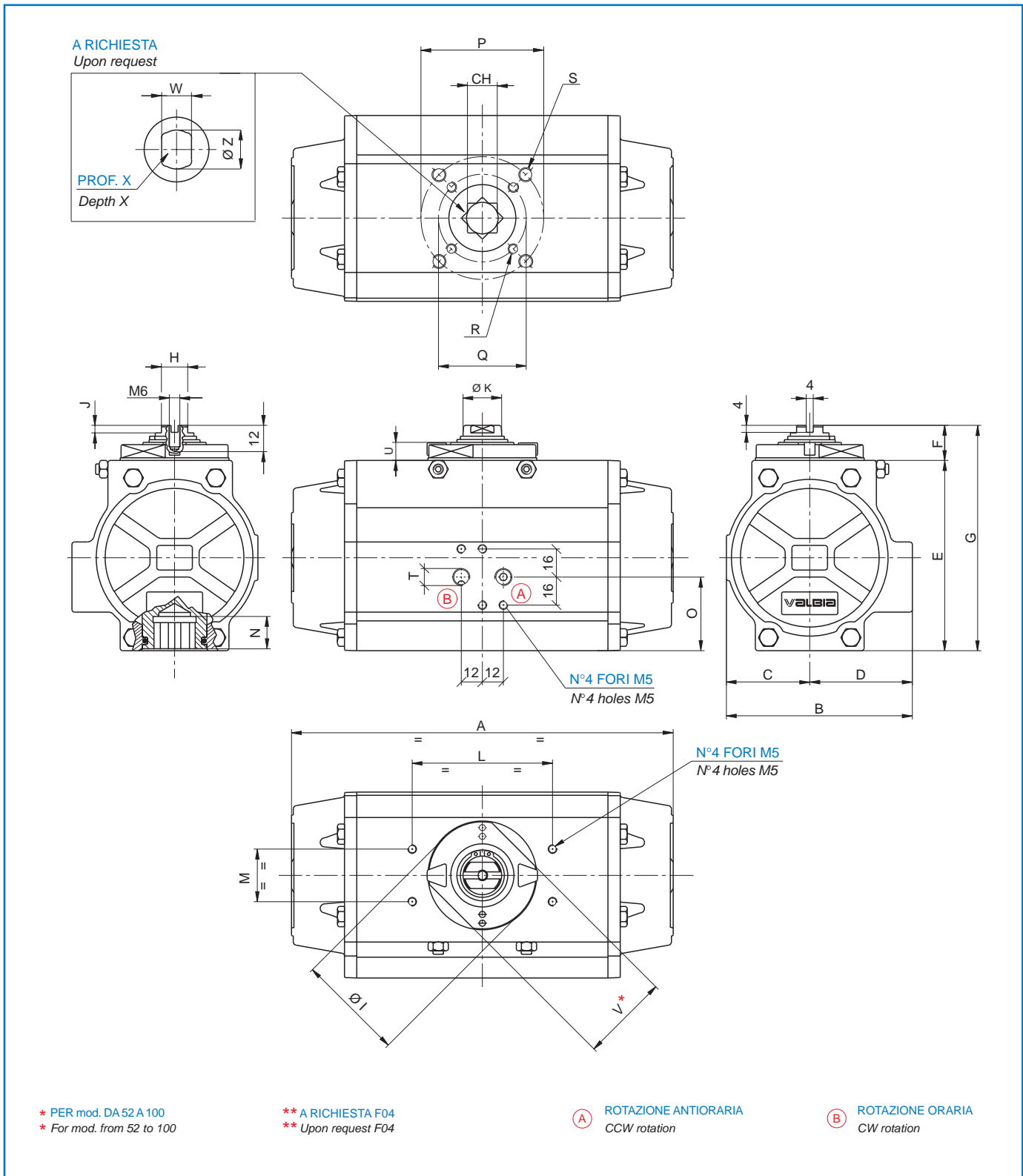
The user can decide on which model to choose according to his/her own specific requirements, using the following guidelines:

1. Define the maximum torque of the valve to automate.
2. To obtain a safety factor increase the torque value chosen by 25%-50% (subject to the type of valve and working conditions).
3. Once the torque value suggested is obtained consult the torque chart and in relation to the corresponding air pressure find a torque value exact to or exceeding the one obtained.
4. Once the torque value is determined move horizontally to the column "model" to find the actuator model required.

MODELLO Type	PRESSIONE DI ALIMENTAZIONE (bar) / Air supply pressure (bar)							
	2,5	3	4	5	5,5	6	7	8
	MOMENTO TORCENTE ATTUATORI A DOPPIO EFFETTO (Nm) / Torque output double acting actuators (Nm)							
DA 32	3.5	4.2	6	7.5	8	9	10	11.5
DA 52	8.8	10.7	14.5	18.3	20.2	22.1	25.9	29.8
DA 63	15.6	19.1	25.9	32.8	36.2	39.6	46.5	53.3
DA 75	28.9	35.1	47.5	59.8	66	72.2	84.5	96.9
DA 85	41.4	50.4	68.6	86.7	95.8	104.9	123	141.2
DA 100	65.7	79.8	108	136.3	150.4	164.6	192.8	221.1
DA 115	108.8	132.2	178.9	225.6	248.9	272.3	319	365.7
DA 125	143.3	174	235.3	296.6	327.3	358	419.3	480.6
DA 160	300	360	480	600	660	720	840	960
DA 200	562	675	900	1125	1237	1350	1575	1800
DA 270	1304	1565	2086	2608	2869	3130	3651	4173

DIMENSIONI DAL MOD. 52 AL 125 - VALBIA -

DIMENSIONS FROM MOD. 52 TO 125



* PER mod. DA 52 A 100
* For mod. from 52 to 100

** A RICHIESTA F04
** Upon request F04

MOD.	FORATURA ISO 5211	CH	A	B	C	D	E	F	G	H	ØI	J	ØK	L	M	N	O	P	Q	R	S	T ISO 7/1	U	V	W	X	ØZ
52	F03 - F05**	11	139.5	71	30	41	69.5	20	89.5	9	42	6	12	80	30	12	26.5	50	36	M5X7.5	M6X9	1/8"	9	38	11	12	14.1
63	F05 - F07	14	162	80.5	35.5	45	80.5	20	100.5	11	48	6	15	80	30	16	27.5	70	50	M6X8	M8X12	1/8"	9	41	14	16	18.1
75	F05 - F07	17	207	94.5	42	52.5	97	20	117	13	61	4.5	19	80	30	19	35	70	50	M6X8	M8X12	1/8"	10.5	50	17	19	22.2
85	F05 - F07	17	237.5	106	47.5	58.5	108.5	20	128.5	15	61	4.5	22	80	30	19	42	70	50	M6X8	M8X12	1/8"	10.5	50	17	30	22.2
100	F07 - F10	17	271.5	123	55	68	121.5	20	141.5	15	61	4.5	22	80	30	20.5	50	102	70	M8X8	M10X14	1/4"	10.5	50	17	30	22.2
115	F07 - F10	22	328	137	64	73	141.5	30	171.5	22	84	7.5	32	130	30	24	50	102	70	M8X12	M10X15	1/4"	16	-	22	39	28.2
125	F07 - F10	22	366	148	68	80	153.5	30	183.5	22	84	7.5	32	130	30	24	61	102	70	M8X12	M10X15	1/4"	16	-	22	39	28.2

** A RICHIESTA F04 / Upon request F04



A.P.S. CONTROL CO., LTD., THAILAND

7 SOI ON-NUCH 62 SUKHUMVIT 77 RD. ON-NUCH SUANLUANG BANGKOK 10250 WWW.APSCONTROL.CO.TH

Tel: 0 2721 1800 (Auto) Fax: 0 2721 1791 E-mail: sales@apscontrol.co.th Line ID: aps.sales Tax.ID: 010-55430-20618

Note: We are engineering partner as a total system solution provider, VALBIA manufactures a range of components to ensure cost effective and reliable about quarter-turn actuators. As a comprehensive solution provider, We have great quality control procedures. The calculate various system designs and can work together perfectly. Finally we are fully committed to maintaining environment quality together.

VALBIA S.R.L., ITALY

Note: Only excellence allows to compete in the international market. The challenge can be faced thanks to the passion and the energy of the researchers, who plan and manufacture avant-garde quality and technology, a team which is perfectly integrated for providing total, customer satisfaction; we are ready!

To ensure the quality and technical standards at the highest level, the manufacturer reserves the right to alter the specifications without notice. This documentation supersedes and replaces all previous editions.

THE VALBIA PNEUMATIC ACTUATORS / DOUBLE ACTING ACTUATOR © 2019 Valbia. All Rights Reserved.