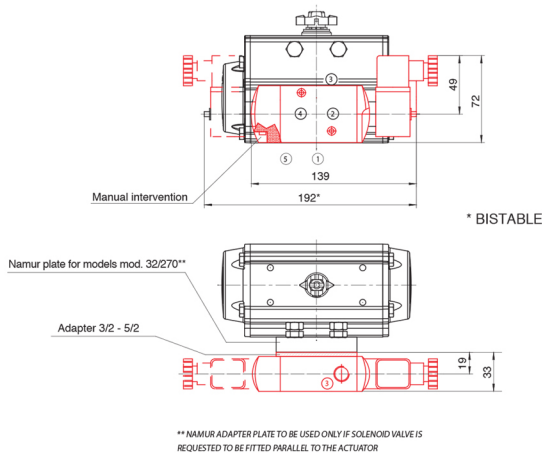
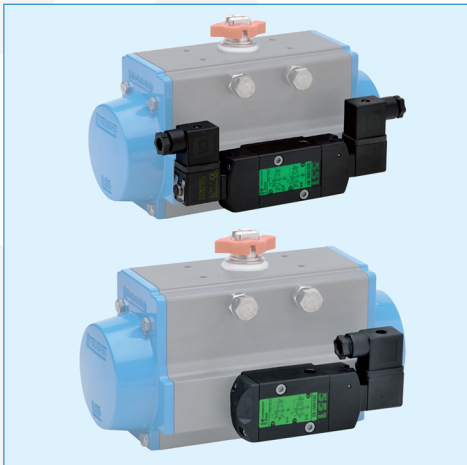




NAMUR VALVE

ACCESSORIES AND DEVICES

NAMUR SOLENOID VALVE 3/2 - 5/2



** NAMUR ADAPTER PLATE TO BE USED ONLY IF SOLENOID VALVE IS REQUESTED TO BE FITTED PARALLEL TO THE ACTUATOR

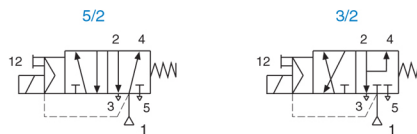
It is possible to change the execution from 5/2 (for double acting actuator) into 3/2 (for spring return actuator) using the adapters supplied with the solenoid valve

- Normally closed: pneumatic connections 1 and 5 toward actuator top
- Normally open: pneumatic connections 1 and 5 toward actuator bottom (only for 5/2 double acting version).

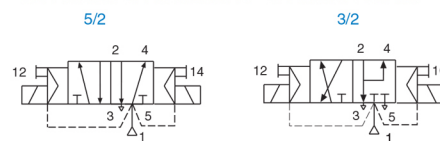
MAIN CHARACTERISTICS

Materiale corpo Body material	Alluminio anodizzato nero	Black anodized aluminum
Materiale guarnizione Seal material	NBR + PUR	NBR + PUR
Fluido di alimentazione Supply medium	-	-
Temperatura di esercizio Working temperature	da -25°C a +60°C	-25°C to +60°C
Pressione di esercizio Working pressure	da 2 a 10 bar	2 - 10 bar
Connessioni pneumatiche Pneumatic connections	Ingresso 1: G1/4" Namur Ingressi 3 e 5: G1/8"	Port 1: G1/4" Namur Ports 3 and 5: G 1/8"
Portata a 6 bar Flow at 6 bar	700 l/min	700 l/min
Connessioni elettriche Electric connections	Type 22, spade plug (PG 9P)	Type 22, spade plug (PG 9P)
Grado di protezione Protection	IP 65	IP 65
Parti interne Internal parts	Zama - acciaio - alluminio - POM	Zamak - steel - aluminum - POM
Potenza assorbita Absorbed power	2,5 W	2,5 W

MONOSTABILE - MONOSTABLE SCHEMA DI FUNZIONAMENTO - WORKING SCHEME



BISTABILE - BISTABLE SCHEMA DI FUNZIONAMENTO - WORKING SCHEME



CODE	MONOSTABLE
0370000072	EV 3-5/2 NAMUR 24 V 50Hz
0370000074	EV 3-5/2 NAMUR 24 V DC
0370000073	EV 3-5/2 NAMUR 115 Vac 50/60Hz
0370000075	EV 3-5/2 NAMUR 230 V 50Hz
0370000079	EV 3-5/2 NAMUR 48 V DC
0370000088	EV 3-5/2 NAMUR 48 V 50Hz

CODE	BISTABLE
0370000129	EV 3-5/2 NAMUR 24 V 50Hz
0370000130	EV 3-5/2 NAMUR 24 V DC
0370000131	EV 3-5/2 NAMUR 110 V DC
0370000132	EV 3-5/2 NAMUR 115 V 50Hz
0370000133	EV3-5/2 NAMUR 230 V AC

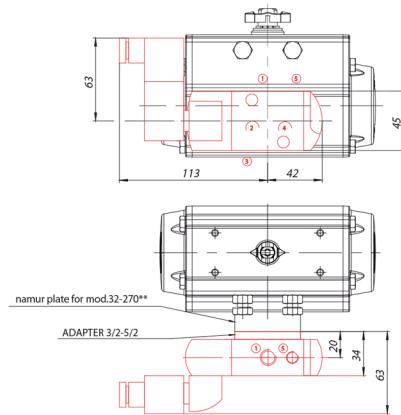
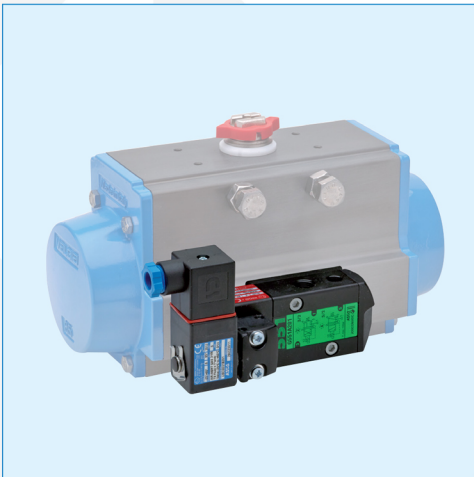
ATTENTION: For size 32 and 270 price of adapter plate to be added to solenoid valve if this is requested to be fitted parallel to the actuator (see at page 99 adapter plates for solenoid valves). For size 330 please contact our sales department.

SILENCED FLOW REGULATORS, FOR NAMUR SOLENOID VALVES



CODE	
RI4574	Kit composto da n° 2 regolatori di velocità silenziati Kit composed by two silenced flow regulators

NAMUR SOLENOID VALVE 3/2 - 5/2 ATEX EX ia IIC Ga Ex ib IIIC Db



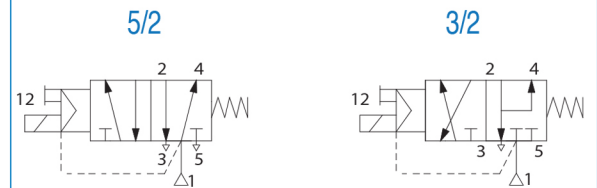
** NAMUR ADAPTER PLATE TO BE USED ONLY IF SOLENOID VALVE IS REQUESTED TO BE FITTED PARALLEL TO THE ACTUATOR

It is possible to change the execution from 5/2 (for double acting actuator) into 3/2 (for spring return actuator) using the adapters supplied with the solenoid valve.

MAIN CHARACTERISTICS

Corpo Body	Alluminio anodizzato nero Black anodised aluminium
Testata (lato molla) End cover (spring)	PA
Guarnizioni Seals	NBR + PUR
Parti interne Internal parts	Zama - acciaio - POM - alluminio Zamac - steel - POM - aluminium
Connessioni pneumatiche Pneumatic connections	Ingresso-port 1 G1/4 namur Ingressi-ports 3 E 5 G1/8
Pressione di esercizio Working pressure	2 - 10 bar
Portata a 6 bar Flow at 6 bar	700 l/min.
Temperatura di esercizio Working temperature	-25°C / +60°C
Connessioni elettriche Electric connections	ISO 4400 / EN 175301-803 form A
Grado di protezione Protection	IP67

WORKING SCHEME



CODE	MONOSTABLE
0370000085	E3-5/2 24 V DC

ATTENTION: For size 32 and 270 price of adapter plate to be added to solenoid valve if this is requested to be fitted parallel to the actuator (see at page 99 adapter plates for solenoid valves). For size 330 please contact our sales department.



VALBIA



A.P.S. CONTROL CO., LTD., THAILAND

7 SOI ON-NUCH 62 SUKHUMVIT 77 RD. ON-NUCH SUANLUANG BANGKOK 10250 WWW.APSCONTROL.CO.TH

Tel: 0 2721 1800 (Auto) Fax: 0 2721 1791 E-mail: sales@apscontrol.co.th Line ID: aps.sales Tax.ID: 010-55430-20618

Note: We are engineering partner as a total system solution provider, VALBIA manufactures a range of components to ensure cost effective and reliable about quarter-turn actuators. As a comprehensive solution provider, We have great quality control procedures. The calculate various system designs and can work together perfectly. Finally we are fully committed to maintaining environment quality together.

VALBIA S.R.L., ITALY & **HAFNER-PNEUMATIK KRÄMER KG.**, GERMANY

Note: Only excellence allows to compete in the international market. The challenge can be faced thanks to the passion and the energy of the researchers, who plan and manufacture avant-garde quality and technology, a team which is perfectly integrated for providing total, customer satisfaction; we are ready!

To ensure the quality and technical standards at the highest level, the manufacturer reserves the right to alter the specifications without notice. This documentation supersedes and replaces all previous editions. / Hafner-Pneumatik is the manufacturer of a complete range of high-quality pneumatic control valves made in Europe.

THE VALBIA & HAFNER ACCESSORIES © 2019 Valbia. All Rights Reserved.