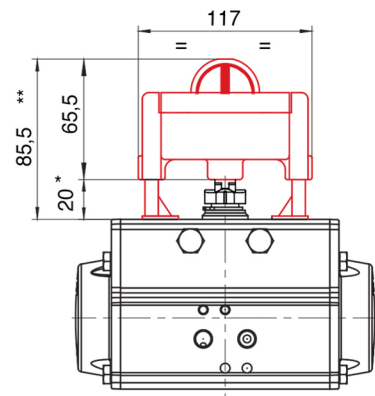
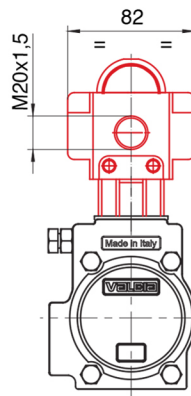
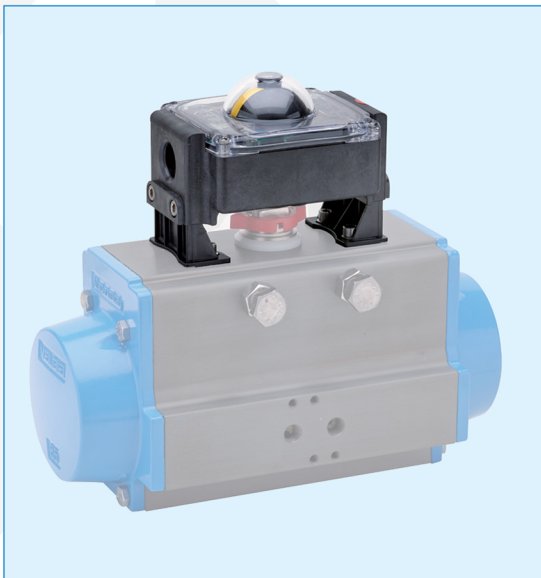




LIMIT SWITCH BOX

ACCESSORIES AND DEVICES

IP65 LIMIT SWITCH BOX


* 30 mod. 115-125-140-160-180-200-230-270

* 50 mod. 330

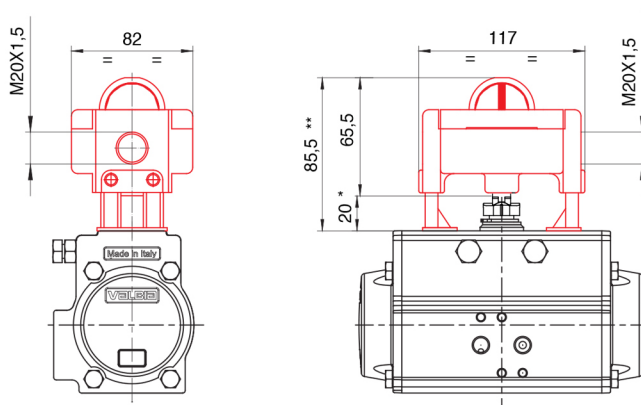
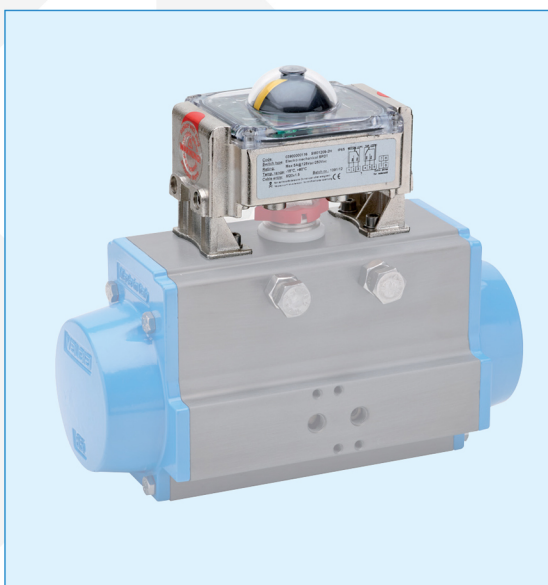
** 95,5 mod. 115-125-140-160-180-200-230-270

** 115,5 mod. 330

PRINCIPALI CARATTERISTICHE - MAIN CHARACTERISTICS

Materiale corpo Body material	Tecnopolimero rinforzato autoestinguente V0	Auto extinguish reinforced tecnopolymer V0
Materiale coperchio Cover material	Policarbonato (resistente ad UV e autoestinguente)	Poly-carbonate (UV resistant and auto extinguish)
Materiale albero Shaft material	Tecnopolimero rinforzato	Reinforced tecno-polymer
Viteria Screws	Acciaio inox	Stainless steel
Grado di protezione Protection	IP 65	IP 65
Temperatura di esercizio Working temperature	da -15°C a +80°C	from -15°C to +80°C
Camme di regolazione Adjusting cam	Indipendenti	Independents
Ingresso cavo Cable entry	M20X1,5 (1/2"NPT opzionale)	M20X1,5 (1/2"NPT optional)

CODICE CODE	VERSIONI STANDARD - STANDARD VERSIONS	MOD. ATTUATORE ACTUATOR MOD.
03900000034	2 finecorsa elettromeccanici SPDT Max 5A 250 V AC / 3A 24 V DC	52=270
03900000037	2 electromechanical SPDT limit switches max 5A 250 V AC/3A 24 V DC	32
03900000035	2 finecorsa Namur induttivi P+F NJ2-V3-N (2 fili non amplificati) Ex II 2 G/D EEx ia IIC T6 (zona 1.2.21 e 22) ATEX	52=270
03900000039	2 Inductive Namur limit switches P+F NJ2-V3-N (2 wire not amplified) Ex II 2 G/D EEx ia IIC T6 (zone 1.2.21 e 22) ATEX	32
03900000036	2 finecorsa Namur induttivi PNP NO P+F NBB2-V3-E2 (3 fili amplificati) 10-30V DC MAX 100 mA	52=270
03900000040	2 Inductive Namur limit switches PNP NO P+F NBB2-V3-E2 (3 wire amplified) 10-30V DC max 100m A	32

IP65 LIMIT SWITCH BOX


* 30 mod. 115-125-140-160-180-200-230-270
 * 50 mod. 330

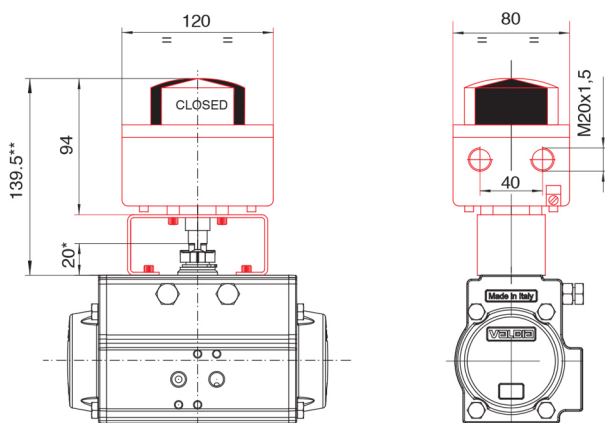
**95,5 mod. 115-125-140-160-180-200-230-270
 ** 115,5 mod. 330

PRINCIPALI CARATTERISTICHE - MAIN CHARACTERISTICS

Materiale corpo Body material	Alluminio pressofuso nichelato	Die-casted nickel plated aluminium
Materiale coperchio Cover material	Policarbonato (resistente ad UV e autoestinguente)	Poly-carbonate (UV resistant and auto extinguish)
Materiale albero Shaft material	Tecnopolimero rinforzato	Reinforced techno-polymer
Viteria Screws	Acciaio inox	Stainless steel
Grado di protezione Protection	IP 65	IP 65
Temperatura di esercizio Working temperature	Da -15°C a +80°C	From -15°C to +80°C
Camme di regolazione Adjusting cam	Indipendenti	Independents
Ingresso cavo Cable entry	M20X1,5 (1/2"NPT opzionale)	M20X1,5 (1/2"NPT optional)

CODICE CODE	VERSIONI STANDARD - STANDARD VERSIONS	MOD. ATTUATORE ACTUATOR MOD.
0390000116	2 finecorsa elettromeccanici SPDT Max 5A 250 V AC / 3A 24 V DC	52÷270
03900280003	2 electromechanical SPDT limit switches max 5A 250 V AC/3A 24 V DC	32
0390000117	2 finecorsa Namur induttivi PNP NO P+F NBB2-V3-E2 (3 fili amplificati) 10-30V DC MAX 100 mA	52÷270
03900280004	2 Inductive Namur limit switches PNP NO P+F NBB2-V3-E2 (3 wire amplified) 10-30V DC max 100m A	32

IP67 LIMIT SWITCH BOX



* 30 mod. 115-125-140-160-180-200-230-270

* 50 mod. 330

** 149,5 mod. 115-125-140-160-180-200-230-270

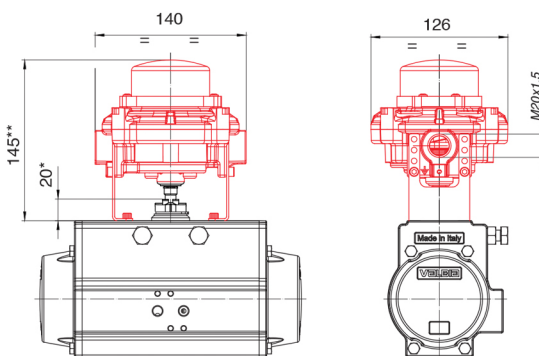
** 169,5 mod. 330

PRINCIPALI CARATTERISTICHE / MAIN CHARACTERISTICS

Materiale corpo Body material	Alluminio fofocromato e verniciato con polveri poliestere	Chromate aluminium, polyester powder coated
Materiale coperchio Cover material	Policarbonato (resistente ad UV ed autoestinguente)	Ply-carbonate (UV resistant and auto extinguish)
Materiale albero Shaft material	Inox	Stainless steel
Staffa di montaggio su attuatore Mounting kit for actuator	Inox	Stainless steel
Viteria Screws	Inox	Stainless steel
Grado di protezione Protection	IP 67	IP 67
Temperatura di esercizio Working temperature	Da -20°C a +80°C	From -20°C to +80°C
Camme di regolazione Adjusting cam	Indipendenti (mille righe)	Independent (splined)
Indicatore di posizione Position indicator	Tridimensionale e visibile a distanza	Tri-dimensional, high sized
Ingresso cavo Cable entry	M20X1,5 (1/2"NPT opzionale)	M20X1,5 (1/2"NPT optional)

CODICE CODE	VERSIONI STANDARD - STANDARD VERSIONS	MOD. ATTUATORE ACTUATOR MOD.
03900000084		32
03900000085	2 finecorsa elettromeccanici SPDT Max 5A 250V AC / 0,6A 125V DC / 3A 24V DC Min. 50mA 24V DC	52=100
03900000086	2 electromechanical limit switches SPDT Max 5A 250V AC / 0,6A 125V DC / 3A 24V DC Min. 50mA 24V DC	115=270
03900280026		330
03900000087		32
03900000088	2 finecorsa induttivi Namur P+F SJ3,5-N 2 fili non amplificati Ex II 2 G/D EEx ia IIC T6 (zona 1.2.21 e 22) ATEX	52=100
03900000089	2 inductive Namur limit switches P+F SJ3,5-N 2 wire not amplified Ex II 2 G/D EEx ia IIC T6 (zone 1.2.21 e 22) ATEX	115=270
03900280027		330
03900000090		32
03900000091	2 finecorsa Namur induttivi P+F NJ2 V3 N 2 fili non amplificati Ex II 2 G/D EEx ia IIC T6 (zona 1.2.21 e 22) ATEX	52=100
03900000092	2 inductive Namur limit switches P+F NJ2 V3 N 2 wire not amplified Ex II 2 G/D EEx ia IIC T6 (zone 1.2.21 e 22) ATEX	115=270
03900280028		330
03900000093		32
03900000094	2 finecorsa Induttivi P+F NBB2 V3 E2 3 fili amplificati 10-30 V DC 100mA	52=100
03900000095	2 inductive limit switches P+F NBB2 V3 E2 3 wire amplified 10-30 V DC 100 mA	115=270
03900280029		330

EXPLOSION PROOF LIMIT SWITCH BOX IECEx



* 30 mod. 115-125-140-160-180-200-230-270

** 50 mod. 330

** 155 mod. 115-125-140-160-180-200-230-270

** 174 mod. 330

PRINCIPALI CARATTERISTICHE - MAIN CHARACTERISTICS

Tipo Type	ATEX, Ex II 2GD Ex d IIC, IECEx	ATEX, Ex II 2GD Ex d IIC, IECEx
Materiale corpo Body material	Alluminio pressofuso verniciato con polveri di poliestere	Die cast aluminum with polyester powder coating
Materiale coperchio Cover material	Alluminio pressofuso verniciato con polveri di poliestere	Die cast aluminum with polyester powder coating
Materiale albero Shaft material	Acciaio inox	Stainless steel
Grado di protezione Protection	IP67	IP67
Temperatura di esercizio Working temperature	Standard -20°C + 80°C	Standard -20°C + 80°C
Camme di regolazione Adjusting cam	Indipendenti (mille righe)	Independent (splined)
Indicatore di posizione Position indicator	Tridimensionale visibile a distanza	Tri-dimensional, high size
Ingresso cavo Cable entry	M20x1.5 (1/2"NPT opzionale)	M20x1.5 (1/2"NPT optional)
Staffa di montaggio su attuatore Mounting kit for actuator	Inox	Stainless steel

CODICE CODE	VERSIONI STANDARD - STANDARD VERSIONS	MOD. ATTUATORE ACTUATOR MOD.
03900280030	2 finecorsa elettromeccanici SPDT contatti argentati max 5A@250VAC-3A@24VDC min 50mA 250VAC-50mA@24V-DC	32
03900280065		52-270
03900280031	2 electromech SPDT silver plated contacts max 5A@250VAC-3A@24VDC min 50mA@250VAC 50mA@24VDC	330
03900280032	2 proximity PNP NO P+F NBB2 V3 E2, 3 fili amplificati, 10-30VDC, 100mA	32
03900280066		52-270
03900280033		330



VALBIA



A.P.S. CONTROL CO., LTD., THAILAND

7 SOI ON-NUCH 62 SUKHUMVIT 77 RD. ON-NUCH SUANLUANG BANGKOK 10250 WWW.APSCONTROL.CO.TH

Tel: 0 2721 1800 (Auto) Fax: 0 2721 1791 E-mail: sales@apscontrol.co.th Line ID: aps.sales Tax.ID: 010-55430-20618

Note: We are engineering partner as a total system solution provider, VALBIA manufactures a range of components to ensure cost effective and reliable about quarter-turn actuators. As a comprehensive solution provider, We have great quality control procedures. The calculate various system designs and can work together perfectly. Finally we are fully committed to maintaining environment quality together.

VALBIA S.R.L., ITALY & **HAFNER-PNEUMATIK KRÄMER KG.**, GERMANY

Note: Only excellence allows to compete in the international market. The challenge can be faced thanks to the passion and the energy of the researchers, who plan and manufacture avant-garde quality and technology, a team which is perfectly integrated for providing total, customer satisfaction; we are ready!

To ensure the quality and technical standards at the highest level, the manufacturer reserves the right to alter the specifications without notice. This documentation supersedes and replaces all previous editions. / Hafner-Pneumatik is the manufacturer of a complete range of high-quality pneumatic control valves made in Europe.

THE VALBIA & HAFNER ACCESSORIES © 2019 Valbia. All Rights Reserved.