



numatics



580 SERIES

PNEUMATIC VALVES



NUMATICS

580 SERIES

PRODUCT LEAFLET

580 Fieldbus - Electronics Made Easy!

Innovative Graphic Display is used for easy commissioning, visual status & diagnostics.

Commissioning Capabilities

- Set network address (including IP & Subnet mask for Ethernet)
- Set baud rate
- Set brightness
- Set factory defaults

Visual Diagnostics

- Shorted and open load detection
- Shorted sensor/cable detection
- Low & missing power detection
- Self-test activation
- Log of network errors

580 Fieldbus Communications Electronics

Why use Numatics Fieldbus communication electronics?

Modular Reality...

- No internal wiring simplifies assembly
- Power connector allows output power to be removed while inputs and communication are left active.
- IP65 protection
- 32 valve solenoids per manifold

Supported Protocols

- DeviceNet™
- Ethernet/IP
- PROFIBUS DP
- PROFINET
- EtherCAT®
- EtherNet/IP™ DLR



Graphic Display for configuration & diagnostics



DeviceNet™ is a trademark of ODVA.
ControlNet is a trademark of ControlNet International, Ltd.
PROFIBUS and PROFINET are registered trademarks of Profibus International.
EtherCAT is a registered trademark of Beckhoff Automation GmbH.



NUMATICS

580 SERIES

PRODUCT LEAFLET

DeviceNet™

DeviceNet™ is an open bus fieldbus communication system developed by Allen-Bradley based on Controller Area Network (CAN) technology. The governing body for DeviceNet™ is the Open DeviceNet™ Vendors Association (ODVA). The ODVA controls the DeviceNet™ specification and oversees product conformance testing.

Numatics' 580 nodes for DeviceNet™ have an integrated graphic display.

They have been tested and approved for conformance by the ODVA.

More information about DeviceNet™ and the ODVA can be obtained from the following website: www.odva.org



Description	Replacement Part Number
DeviceNet™ communications module (node)	P580AEDN1010A00

Technical Data

Electrical Data	Voltage	Current
Node Power	24 VDC +/- 10%	0.050 Amps
BUS Power	11-25 VDC	0.050 Amps
Valves	24 VDC +/- 10%	4 Amps Maximum
Power Connector	A-Coded 4 Pin M12 (Male)	
Communication Connector	A-Coded 5 Pin M12 (Male)	
LEDs	Module Status and Network Status	

Operating Data	
Temperature Range (ambient)	-10° to 115° F (-23° to +46°C)
Humidity	95% relative humidity, non-condensing
Vibration / Shock	IEC 60068-2-27, IEC60068-2-6
Moisture Protection	IP65 Certified

Configuration Data	
Graphic Display	Display used for setting Node Address, Baud Rate, Fault / Idle Actions, and all other system settings.
Maximum Valve-Solenoid Outputs	32

Network Data	
Supported Baud Rates	125K Baud, 250K Baud, 500K Baud, with Auto-Baud detection
Supported Connection Type	Polled, Cyclic, Change of State (COS) and combination Message Capability
Bus Connector	A-Coded 5 pin M12 (male)
Diagnostics	Power, short, open load conditions are monitored
Special Features	Supports Auto-Device Replacement (ADR) and fail-safe device settings

Weight	
DeviceNet™ Communication Module	336g/10.8 oz.



NUMATICS

580 SERIES

PRODUCT LEAFLET

Ethernet/IP™

Ethernet used throughout the world to network millions of PCs has now evolved into a viable industrial network. Ethernet is an open architecture high-level communication network that meets the demands of today's industrial applications requiring high-speed (10/100 Mbit/s), high-throughput and flexibility. Additionally, Ethernet technology can integrate an on-board web server, which can make the node readily accessible to any standard web browser for configuration, testing and even retrieval of technical documentation.

Numatics' 580 nodes for Ethernet have an integrated graphic display.

The 580 Ethernet/IP nodes have been tested and approved for conformance by the ODVA.

More information about Ethernet/IP™ and the ODVA can be obtained from the following website: www.odva.org.



Description	Replacement Part Number
Ethernet/IP™ communications module (node)	P580AEEP1010A00

Technical Data

Electrical Data	Voltage	Current
Node Power	24 VDC +/- 10%	0.070 Amps
Valves	24 VDC +/- 10%	4 Amps maximum
Power Connector	A-Coded 4 pin M12 (male)	
Communication Connector	D-coded 4 pin M12 (female)	
LEDs	Module Status, Network Status and Activity/Link	

Operating Data	
Temperature Range (ambient)	-10° to 115° F (-23° to +46°C)
Humidity	95% relative humidity, non-condensing
Vibration / Shock	IEC 60068-2-27, IEC60068-2-6
Moisture Protection	IP65 Certified

Configuration Data	
Graphic Display	Display used for setting IP Address, Subnet mask, Fault / Idle Actions, DHCP / BootP and all other system settings.
Maximum Valve-Solenoid Outputs	32

Network Data	
Supported Baud Rates	10 Mbit / 100 Mbit
Bus Connector	D-coded 4 pin M12 (female)
Diagnostics	Power, short, open load conditions
Special Features	Integrated web server, fail-safe device settings, HTTP, FTP, and UNICAST (for EtherNet/IP)

Weight	
Ethernet Communication Module	336 g/10.8 oz.



NUMATICS

580 SERIES

PRODUCT LEAFLET

PROFIBUS DP

PROFIBUS DP is a vendor-independent, open fieldbus protocol designed for communication between automation control systems and distributed I/O at the device level.

Numatics' 580 nodes for PROFIBUS DP have an integrated graphic display.

The 580 nodes for PROFIBUS DP have been designed and tested to conform to the PROFIBUS standard EN50170. Certification has been done by the PROFIBUS Interface Center (PIC) according to the guidelines determined by the PROFIBUS Trade Organization (PTO). The certification process ensures interoperability for all PROFIBUS devices.

More information regarding PROFIBUS can be obtained from the following website: www.profibus.com.



Description	Replacement Part Number
-------------	-------------------------

PROFIBUS DP communications module (node)	P580Aept1010A00
--	-----------------

Technical Data

Electrical Data	Voltage	Current
Node Power	24 VDC +/- 10%	0.080 Amps
Valves	24 VDC +/- 10%	4 Amps Maximum
Power Connector	A-Coded 5 pin M12 (male)	
Communication Connector	Single reverse key (B-Coded) 5 pin M12 (1 male and 1 female)	
LEDs	Module Status and Network Status	

Operating Data	
Temperature Range (ambient)	-10° to 115° F (-23° to +46°C)
Humidity	95% relative humidity, non-condensing
Vibration / Shock	IEC 60068-2-27, IEC60068-2-6
Moisture Protection	IP65 Certified

Configuration Data	
Graphic Display	Display used for setting Node Address, Fault / Idle Actions, and all other system settings.
Maximum Valve-Solenoid Outputs	32

Network Data	
Supported Baud Rates	Auto-Baud (From 9.6k to 12M Baud)
Bus Connector	Single reverse key (B-coded) 5 pin M12 (1 male and 1 female)
Diagnostics	Power, short, open load conditions and module health are monitored

Weight	
PROFIBUS DP Communication Module	342 g/11.0 oz.



NUMATICS

580 SERIES

PRODUCT LEAFLET

PROFINET

PROFINET is the innovative open standard for Industrial Ethernet, developed by Siemens and the Profibus User Organization (PNO). PROFINET complies to IEC 61158 and IEC 61784 standards. PROFINET products are certified by the PNO user organization, guaranteeing worldwide compatibility.

Numatics' 580 nodes for PROFINET IO (PROFINET RT) have an integrated graphic display.

PROFINET is based on Ethernet and uses TCP/IP and IT standards and complements them with specific protocols and mechanisms to achieve Real Time performance.

More information regarding PROFINET can be obtained from the following website: www.profibus.com.



Description	Replacement Part Number
PROFINET communications module (node)	P580AEPN1010A00

Technical Data

Electrical Data	Voltage	Current
Node Power	24 VDC +/- 10%	0.110 Amps
Valves	24 VDC +/- 10%	4 Amps Maximum
Power Connector	A-Coded 5 pin M12 (male)	
Communication Connector	Two D-coded 4 pin M12 (female)	
LEDs	System Fault, Bus Fault, and Activity/Link	

Operating Data	
Temperature Range (ambient)	-10° to 115° F (-23° to +46° C)
Humidity	95% relative humidity, non-condensing
Vibration / Shock	IEC 60068-2-27, IEC60068-2-6
Moisture Protection	IP65 Certified

Configuration Data	
Graphic Display	Display used for setting IP Address, Subnet Mask, Fault / Idle Actions, and all other system settings.
Maximum Valve-Solenoid Outputs	32

Network Data	
Supported Baud Rates	10 Mbit / 100 Mbit
Bus Connector	Two D-coded 4 pin M12 (Female)
Diagnostics	Power, short, open load conditions and module health and configuration are monitored
Special Features	Integrated web server, Integrated 2 port switch, fail-safe device settings

Weight	
PROFINET Communication Module	342 g/11.0 oz.



NUMATICS

580 SERIES

PRODUCT LEAFLET

EtherCAT®

EtherCAT® is an open ethernet based fieldbus protocol developed by Beckhoff. EtherCAT® sets new standards for real-time performance and topology flexibility with short data update/cycle times and low communication jitter.

Numatics' 580 EtherCAT® node has an integrated graphic display for simplified commissioning and diagnostics.

The 580 nodes for EtherCAT® have been designed and tested to conform with EtherCAT® specifications set forth by the ETG.

More information regarding EtherCAT® can be obtained from the following website: www.ethercat.org.



Description	Replacement Part Number
EtherCAT® communications module	P580AEEC1010A00

Technical Data

Electrical Data	Voltage	Current
Node Power	24 VDC +/- 10%	0.110 Amps
Valves	24 VDC +/- 10%	4 Amps Maximum
Power Connector	A-Coded 5 pin M12 (male)	
Communication Connector	Two D-coded 4 pin M12 (female)	
LEDs	Error, Run	

Operating Data	
Temperature Range	-10° to 115° F (-23° to +46° C)
Humidity	95% relative humidity, non-condensing
Vibration / Shock	IEC 60068-2-27, IEC 60068-2-6
Moisture	IP65 Certified

Configuration Data	
Graphic Display	Display used for Subnet Mask, Fault / Idle Actions, and all other system settings.
Maximum Valve Solenoid Outputs	32

Network Data	
Supported Baud Rates	10 Mbit / 100 Mbit
Bus Connector	Two D-coded 4 pin M12 (female)
Diagnostics	Power, short, open load conditions and module health and configuration are monitored
Special Features	Integrated web server, fail-safe device settings.

Weight	
EtherCAT® communications module	342 g/11.0 oz.



NUMATICS

580 SERIES

PRODUCT LEAFLET

EtherNet/IP™ DLR

EtherNet/IP™ DLR used throughout the world to network millions of PCs has now evolved into a viable industry network. EtherNet/IP™ is an open architecture high-level communication network that meets the demands of today's industrial applications requiring high-speed (10/100 Mbit/s), high-throughput and flexibility. Additionally, EtherNet/IP™ technology can integrate an on-board web server, which can make the node readily accessible to any standard web browser for configuration, testing and even retrieval of technical documentation.

Numatics' 580 EtherNet/IP™ DLR (Device Level Ring) node with integrated display, has an embedded switch which allows the unit to be used in simplified networks with linear topology configurations (daisy chain). This technology alleviates the need for an external Ethernet switch device in a single subnet configuration. Additionally, the DLR compatibility allows the node to be used in a fault tolerant "ring" network, when using appropriate EtherNet/IP™ DLR scanners. DLR configuration allows communication recovery from a single point failure on the network ring (e.g. failed network connection or cable).

The 580 EtherNet/IP™ nodes have been tested and approved for conformance by the ODVA. More information about EtherNet™ and the ODVA can be obtained from the following website: Open Device Vendors Association (ODVA) www.odva.org.



Description	Replacement Part Number
EtherNet™/IP DLR communications module (node)	P580AEED1010A00



Technical Data

Electrical Data	Voltage	Current
Node Power	24 VDC +/- 10%	0.110 Amps
Valves	24 VDC +/- 10%	4 Amps Maximum
Power Connector	A-Coded 4 pin M12 (male)	
Communication Connector	Two D-coded 4 pin M12 (female)	
LEDs	Module Status, Network Status and Activity / Link	

Operating Data	
Temperature Range	-10° to 115° F (-23° to +46 C)
Humidity	95% relative humidity, non-condensing
Vibration / Shock	IEC 60068-2-27, IEC 60068-2-6
Moisture	IP65 Certified

Configuration Data	
Graphic Display	Display used for setting IP address, Subnet Mask, Fault / Idle Actions, and all other system settings.
Maximum Valve Solenoid Outputs	32

Network Data	
Supported Baud Rates	10 Mbit / 100 Mbit
Bus Connector	Two D-coded 4 pin M12 (female)
Diagnostics	Power, short, open load conditions and module health and configuration are monitored
Special Features	Embedded two port switch, Device Level Ring (DLR) compatibility, Linear network topology, fail-safe device settings, integrated web server, HTTP, TFTP, UNICAST

Weight	
EtherCAT® communications module	342 g/11.0 oz.



NUMATICS

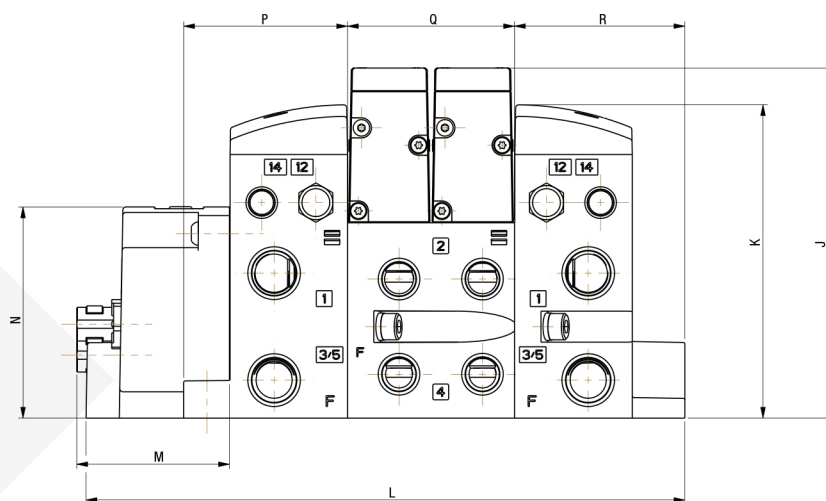
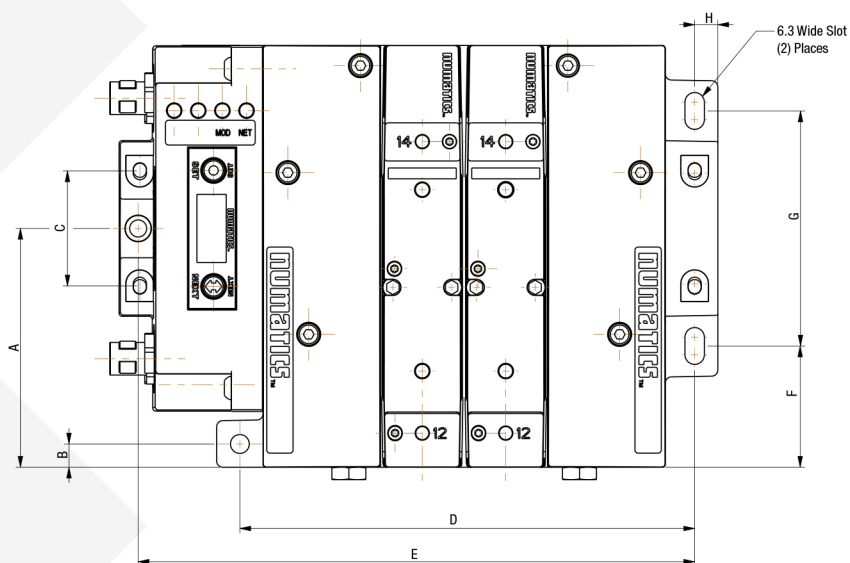
580 SERIES

PRODUCT LEAFLET

Dimensions: mm (Inches)

Dimensional Drawing - 580 Fieldbus Manifold Assembly

503 Series Valve Manifold Assembly with 580 Electronics



A	B	C	D	E	F	G	H	J	K	L	M	N	P	Q	R
77	7.5	38	147.1	180	39.1	75.8	7.5	113	101	194	49.4	68.1	53	54	55.1
(3.032)	(0.295)	(1.5)	(5.79)	(7.087)	(1.539)	(2.984)	(0.295)	(4.449)	(3.976)	(7.638)	(1.945)	(2.681)	(2.087)	(2.13)	(2.169)

* - For valve manifold dimensions refer to Valve Series product catalogs.

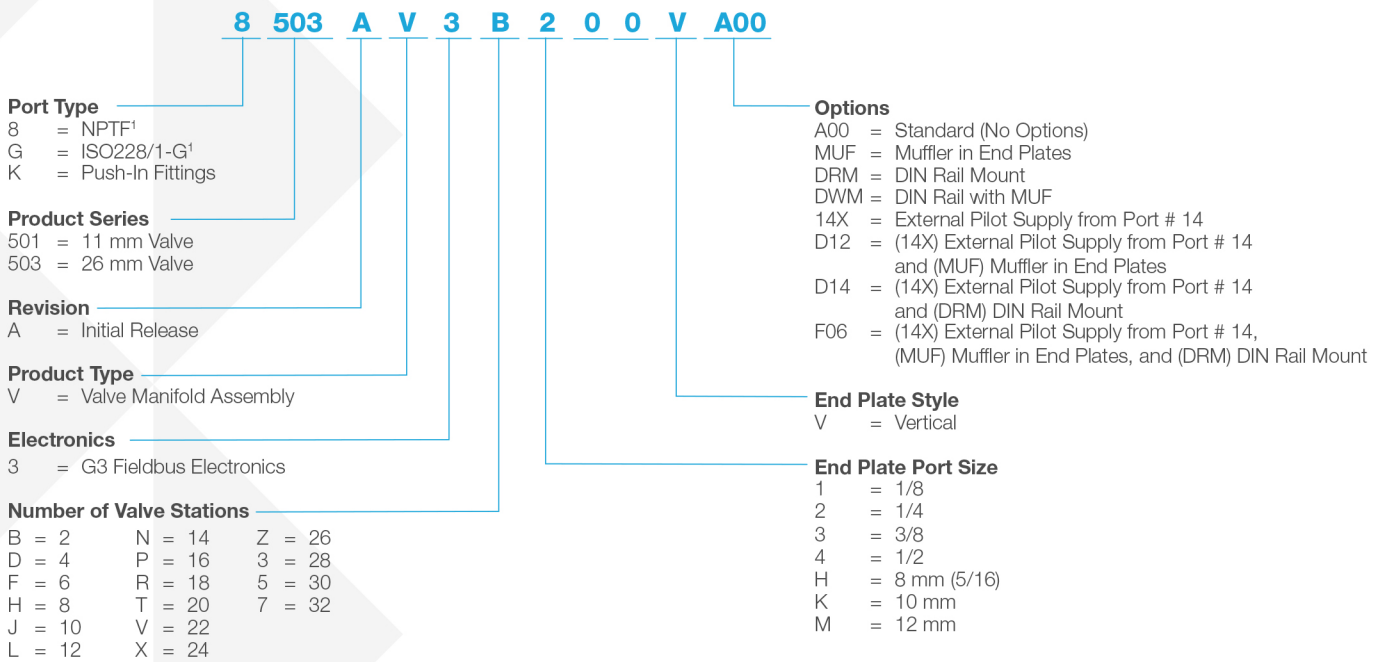


NUMATICS

580 SERIES

PRODUCT LEAFLET

Manifold Assembly How to Order



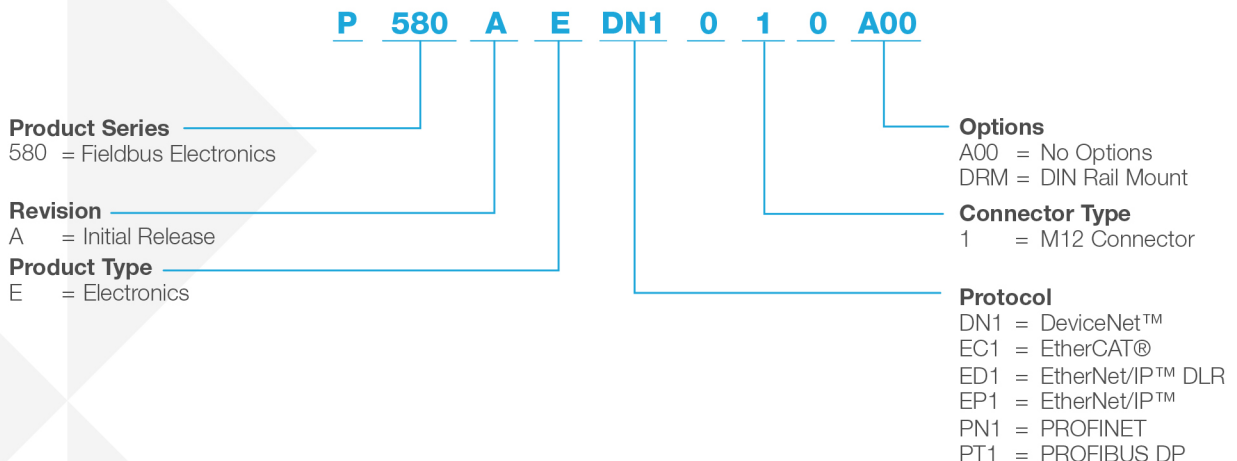
¹Port Type '8' + 'G' only available in Port Size 3/8

²Horizontal end plates only available with Electronics option 'O' - No Electronics

*NOTE: 501 Valve Series Available with 4, 8, 12, 16, 20, 24, 28 and 32 Stations Only

How To Order

580 Electronics





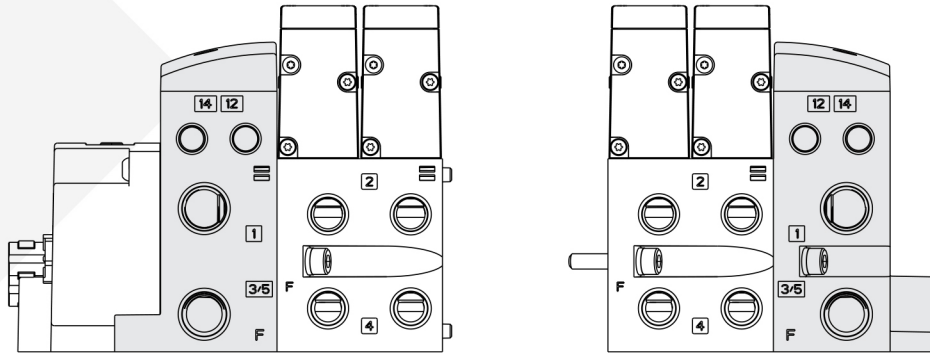
NUMATICS

580 SERIES

PRODUCT LEAFLET

Ordering Valve Manifold Assemblies with 580 Electronics

For valve series



Shaded components are described by the manifold assembly number (see page 10). The communication module is described by the Electronic Interface model number designation (see page 10).

Each valve station is listed in sequential order from left to right when facing the port side of the manifold as shown.

NOTE:

1. A total of 32 solenoid outputs are available. Either 32 single solenoid valves or 16 double solenoid valves or any combination of singles and doubles not to exceed 32 outputs can be specified.

Example Order - 503 Shown

Assembly Kit	8503AV8H100VMUF
Valve Station #1	R503A2B40MA00F1
Valve Station #2	R503A2B40MA00F1
Mounting # 1	8503AMM22MA0010
Valve Station #3	R503A2B40MA00F1
Valve Station #4	R503A2B40MA00F1
Mounting # 2	8503AMM22MA0010
Valve Station #5	R503A2B40MA00F1
Valve Station #6	R503A2B40MA00F1
Mounting #3	8503AMM22MA0010
Valve Station #7	R503A2B40MA00F1
Valve Station #8	R503A2B40MA00F1
Mounting #4	8503AMM22MA0010
Electronics Assembled	P580AEDN1010A00



NUMATICS

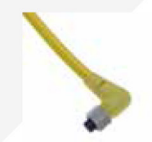
580 SERIES

PRODUCT LEAFET

M12 A-Coded Cables



M12 Straight 4 Pin Female Single Ended Cable, Euro Color Code
TC0405MAE0000000 – 5 Meter
TC0410MAE0000000 – 10 Meter



M12 Straight 5 Pin Female Single Ended Cable, Euro Color Code
TC0505MAE0000000 – 5 Meter
TC0510MAE0000000 – 10 Meter

M12 90° 4 Pin Female Single Ended Cable, Euro Color Code
TD0405MAE0000000 – 5 Meter
TD0410MAE0000000 – 10 Meter

M12 90° 5 Pin Female Single Ended Cable, Euro Color Code
TD0505MAE0000000 – 5 Meter
TD0510MAE0000000 – 10 Meter

M12 A-Coded Field Wireable Connectors



M12 Straight 4 Pin Female Field Wireable Connector
TC04F10000000000 – PG 7 Cable Gland
TC04F20000000000 – PG 9 Cable Gland

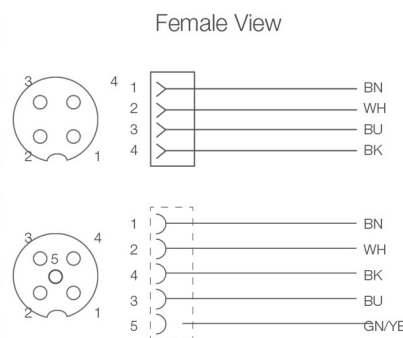
M12 Straight 5 Pin Female Field Wireable Connector
TC05F10000000000 – PG 7 Cable Gland
TC05F20000000000 – PG 9 Cable Gland

M12 90° 4 Pin Female Field Wireable Connector
TD04F10000000000 – PG 7 Cable Gland
TD04F20000000000 – PG 9 Cable Gland



M 12 90° 5 Pin Female Field Wireable Connector
TD05F10000000000 – PG 7 Cable Gland
TD05F20000000000 – PG 9 Cable Gland

Technical Data	Cable	Field Wireable	Pin Out / Color Code
Molded Body / Insert	PVC / Polyamide	Polyamide	
Coupling Nut	Nickel Copper Alloy		
Cable Jacket Material	PVC	NA	
Cable O.D.	7.4mm	NA	
Voltage Rating	125 V Max. @ 105° C		
Current Rating	4.0 Amps		
Degree of Protection	IP65 (mated)		
Operating Temperature	-25° C - 85° C		
Conductor Gauge	18 AWG	NA	
Bend Radius	74mm	NA	
Maximum Wire AWG	NA	18 AWG	
Wire Connection	NA	Screw Terminal	
PG 7 Range	NA	4-6 mm	
PG 9 Range	NA	6-8 mm	





NUMATICS

580 SERIES

PRODUCT LEAFLET

M12 A-Coded Cables



M12 Straight 5 Pin Female Single Ended Cable - Shielded

- TA0505MGD0000000 – 5 Meter – MALE
- TA0510MGD0000000 – 10 Meter – MALE
- TC0505MGD0000000 – 5 Meter - FEMALE
- TC0510MGD0000000 – 10 Meter - FEMALE



M12 90° 5 Pin Male & Female Single Ended Cable - Shielded

- TB0505MGD0000000 – 5 Meter – MALE
- TB0510MGD0000000 – 10 Meter – MALE
- TD0505MGD0000000 – 5 Meter - FEMALE
- TD0510MGD0000000 – 10 Meter - FEMALE



3 Way M12 "T"

- TC050000TT05000 – 12mm

Terminating Resistor - Male

- TA05TR0000000000 – 12mm

M12 A-Coded Field Wireable Connectors



M12 90° 5 Pin Male & Female Field Wireable Connector – Spring Cage

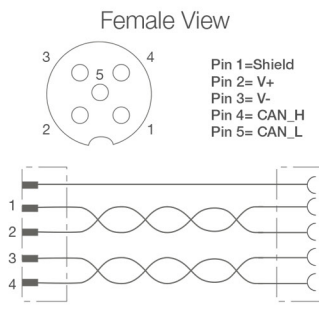
- TB05F2000000071V – PG 9 Cable Gland – Spring Cage Male
- TD05F2000000071V – PG 9 Cable Gland – Spring Cage Female



M12 Straight 5 Pin Male & Female Field Wireable Connector – Spring Cage

- TA05F2000000071V – PG 9 Cable Gland – Spring Cage Male
- TC05F2000000071V – PG 9 Cable Gland – Spring Cage Female

Technical Data	Cable	M12 Field Wireable	"T"	Pin Out / Color Code
Molded Body / Insert	PVC / Polyamide	Nickel Plated Zinc / TPU	TPU / TPU GF	
Coupling Nut	Nickel Plated Brass	Nickel Plated Brass	Nickel Plated Zinc	
Cable Jacket Material	PVC	NA	NA	
Cable O.D.	7 mm	4.0 to 8 mm	NA	
Voltage Rating	300 Volts	60 Volts	60 Volts	
Current Rating	4.0 Amps	4.0 Amps	4.0 Amps	
Degree of Protection	IP65 (mated)	IP 65 (mated)	IP 65 (mated)	
Operating Temperature	-40° C - 80° C	-40° C - 85° C	-25° C - 90° C	
Conductor Gauge	24 AWG (power & data)	26-20 AWG	NA	
Minimum Bend Radius	74 mm	NA	NA	
Wire Connection	NA	Spring Cage	NA	





NUMATICS

580 SERIES

PRODUCT LEAFLET

M12 D-Coded Cables



M12 Straight 4 Pin Male D-Coded Single Ended Cable

QA0405MK00000000 – 5 Meter

QA0410MK00000000 – 10 Meter

M12 Straight 4 Pin Male D-Coded to Male RJ45 Cable

QA0405MK0VA04000 – 5 Meter

QA0410MK0VA04000 – 10 Meter

M12 90° 4 Pin Male D-Coded Single Ended Cable

QB0405MK00000000 – 5 Meter

QB0410MK00000000 – 10 Meter

M12 Straight 4 Pin Male D-Coded Double Ended Cable

QA0405MK0QA04000 – 5 Meter

QA0410MK0QA04000 – 10 Meter

M12 Straight 4 Pin Male D-Coded to RJ45 Female Socket Converter

QA04D2MK0VC04000 – 0.2 Meter

M12 D-Coded Field Wireable Connectors



M12 90° 4 Pin Male D-Coded Field Wireable Connector w/IDC

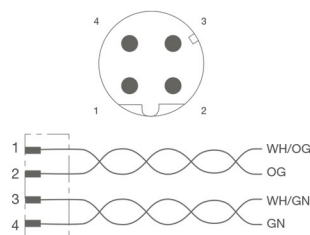
QB04F2000000071N – PG 9 Cable Gland – IDC

M12 Straight 4 Pin Male D-Coded Field Wireable Connector w/IDC

QA04F2000000071N – PG 9 Cable Gland – IDC

Technical Data	Cable	M12 Field Wireable	Pin Out / Color Code
Molded Body / Insert	PUR / Polyamide	Nickel Plated Zinc / PA 66	
Coupling Nut	Nickel Plated Brass	Nickel Plated Brass	
Cable Jacket Material	PUR	NA	
Cable O.D.	5.6 mm	4.0 to 8 mm	
Voltage Rating (Nominal)	300 Volts	60 Volts	
Current Rating	2.0 Amps	1.75 Amps	
Degree of Protection	IP65 (mated)	IP 65 (mated)	
Operating Temperature	-40° C - 75° C	-40° C - 85° C	
Conductor Gauge	24 AWG	IDC 26-22 AWG	
Bend Radius	61mm	NA	
Wire Connection	NA	IDC	

Male View





NUMATICS

580 SERIES

PRODUCT LEAFLET

M12 D-Coded Cables



M12 Straight 4 Pin Male D-Coded Single Ended Cable

QA0405MR00000000 – 5 Meter
QA0410MR00000000 – 10 Meter

M12 90° 4 Pin Male D-Coded Single Ended Cable

QB0405MR00000000 – 5 Meter
QB0410MR00000000 – 10 Meter

M12 Straight 4 Pin Male D-Coded Double Ended Cable

QA0405MR0QA04000 – 5 Meter
QA0410MR0QA04000 – 10 Meter

M12 Straight 4 Pin Male D-Coded to Male RJ45 Cable

QA0405MR0VA04000 – 5 Meter
QA0410MR0VA04000 – 10 Meter

M12 Straight 4 Pin Male D-Coded to RJ45 Female Socket Convertor

QA04D2MK0VC04000 – 0.2 Meter

M12 D-Coded Field Wireable Connectors



M12 90° 4 Pin Male D-Coded Field Wireable Connector w/IDC

QB04F200R000071N – PG 9 Cable Gland – IDC

M12 Straight 4 Pin Male D-Coded Field Wireable Connector w/IDC

QA04F200R000071N – PG 9 Cable Gland – IDC

Technical Data	Cable	M12 Field Wireable	Pin Out / Color Code
Molded Body / Insert	PUR / PUR or PE	Nickel Plated Zinc / PA 66	<p>Male View</p> <p>1 — YE 2 — WH 3 — OG 4 — BU</p>
Coupling Nut	Nickel Plated Zinc and Brass	Nickel Plated Brass	
Cable Jacket Material	PVC	NA	
Cable O.D.	6.5mm / 7.4mm	4.0 to 8.0 mm	
Voltage Rating (Nominal)	42 Volts	60 Volts	
Current Rating	1.5 Amps	1.75 Amps	
Degree of Protection	IP65 (mated)	IP 65 (mated)	
Operating Temperature	-25° C - 60°	-40° C - 85° C	
Conductor Gauge	24 & 22 AWG	26-22 AWG	
Bend Radius	19.5 mm	NA	
Wire Connection	NA	IDC	



NUMATICS

580 SERIES

PRODUCT LEAFLET

M12 B-Coded (Reverse Key) Cables



M12 Straight 5 Pin Male & Female Single Ended Cables

- RA0505MHP0000000 – 5 Meter – MALE
- RA0510MHP0000000 – 10 Meter – MALE
- RC0505MHP0000000 – 5 Meter – FEMALE
- RC0510MHP0000000 – 10 Meter – FEMALE

M12 Straight 5 Pin Male – to – Female Double Ended Cables

- RC0505MHPRA05000 – 5 Meter
- RC0510MHPRA05000 – 10 Meter

M12 90° 5 Pin Male & Female Single Ended Cable

- RB0505MHP0000000 – 5 Meter – MALE
- RB0510MHP0000000 – 10 Meter – MALE
- RD0505MHP0000000 – 5 Meter – FEMALE
- RD0510MHP0000000 – 10 Meter – FEMALE

M12 B-Coded (Reverse Key) Field Wireable Connectors



M12 90° 5 Pin Male & Female Field Wireable Connectors, w/IDC

- RB05F200P000071V – PG9 Cable Gland – IDC MALE
- RD05F200P000071V – PG9 Cable Gland – IDC FEMALE

M12 Straight 5 Pin Male & Female Field Wireable Connectors

- RA05F200P0000000 – PG7 Cable Gland – MALE
- RC05F200P0000000 – PG7 Cable Gland – FEMALE

M12 Straight 5 Pin Terminating Resistor

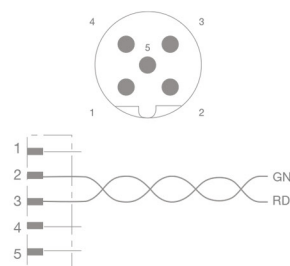
- RA05TR0000000000 – MALE

M12 Bus "T"

- RA050000PRT05000

Technical Data	Cable	Field Wireable	"T"	Pin Out / Color Code
Molded Body	PUR	Nickel Plated Zinc / Brass	Aluminum	
Insert	Polyamide	TPU/PVC	Nylon	
Coupling Nut	Nickel Plated Brass	Nickel Plated Brass / Stainless Steel	Nickel Plated Brass	
Cable Jacket Material	PVC	NA	NA	
Cable O.D.	8.5 mm	4.0 to 8.0 mm / 3.0 to 6.5 mm	NA	
Voltage Rating	300 Volts	60 Volts	250 Volts	
Current Rating	4.0 Amps	4.0 Amps	4.0 Amps	
Degree of Protection	IP65 (mated)	IP 65 (mated)	IP 65 (mated)	
Operating Temperature	-40° C - 80° C	-40° C - 85° C	-40° C - 80° C	
Conductor Gauge	22 AWG	26-20 AWG / 24-18 AWG	NA	
Minimum Bend Radius	74 mm	NA	NA	
Wire Connection	NA	IDC / Screw Terminal	NA	

Male View



M12 D-Coded Cables



M12 Straight 4 Pin Male D-Coded Single Ended Cable

QA0405MT00000000 – 5 Meter
QA0410MT00000000 – 10 Meter

M12 90° 4 Pin Male D-Coded Single Ended Cable

QB0405MT00000000 – 5 Meter
QB0410MT00000000 – 10 Meter

M12 Straight 4 Pin Male D-Coded Double Ended Cable

QA0405MT0QA04000 – 5 Meter
QA0410MT0QA04000 – 10 Meter

M12 Straight 4 Pin Male D-Coded to Male RJ45 Cable

QA0405MT0VA04000 – 5 Meter
QA0410MT0VA04000 – 10 Meter

M12 Straight 4 Pin Male D-Coded to RJ45 Female Socket Converter

QA04D2MK0VC04000 – 0.2 Meter

M12 D-Coded Field Wireable Connectors



M12 90° 4 Pin Male D-Coded Field Wireable Connector w/IDC

QB04F200R000071N – PG 9 Cable Gland – IDC

M12 Straight 4 Pin Male D-Coded Field Wireable Connector w/IDC

QA04F200R000071N – PG 9 Cable Gland – IDC

Technical Data	Cable	M12 Field Wireable	Pin Out / Color Code
Molded Body / Insert	PVC / PE	Nickel Plated Zinc / PA 66	<p>Male View</p> <p>1 — YE 2 — WH 3 — OG 4 — BU</p>
Coupling Nut	Nickel Plated Zinc	Nickel Plated Brass	
Cable Jacket Material	PUR	NA	
Cable O.D.	6.5 mm	4.0 to 8.0 mm	
Voltage Rating (Nominal)	300 Volts	60 Volts	
Current Rating	2.0 Amps	1.75 Amps	
Degree of Protection	IP65 (mated)	IP 65 (mated)	
Operating Temperature	-5° C - 50° C	-40° C - 85° C	
Conductor Gauge	22 AWG	26-22 AWG	
Bend Radius	46 mm	NA	
Wire Connection	NA	IDC	



A.P.S. CONTROL CO., LTD., THAILAND

7 SOI ON-NUCH 62 SUKHUMVIT 77 RD. ON-NUCH SUANLUANG BANGKOK 10250 WWW.APSCONTROL.CO.TH
Tel: 0 2721 1800 (Auto) Fax: 0 2721 1791 E-mail: sales@apscontrol.co.th Line ID: aps.sales Tax.ID: 010-55430-20618

Note: We are engineering partner as a total system solution provider, Numatics global operations were unified brand, setting the stage for the company's next period of growth. As a comprehensive solution provider, We have great quality control procedures. The calculate various system designs and can work together perfectly. Finally we are fully committed to maintaining environment quality together.

NUMATICS INC., THE UNITED STATES

Note: NUMATICS leads in quality management via initiatives such as ISO 9001:2008, 6 Sigma continuous improvement, and lean manufacturing. Our products are tested up to 500 million cycles, far beyond the operating requirements of their intended applications. In fact, NUMATICS is certified as a test data facility for UL and CSA-these agencies accept our test data for many parameters to grant their approval of our products.

THE NUMATICS PNEUMATIC VALVE © 2019 Numatics. All Rights Reserved.